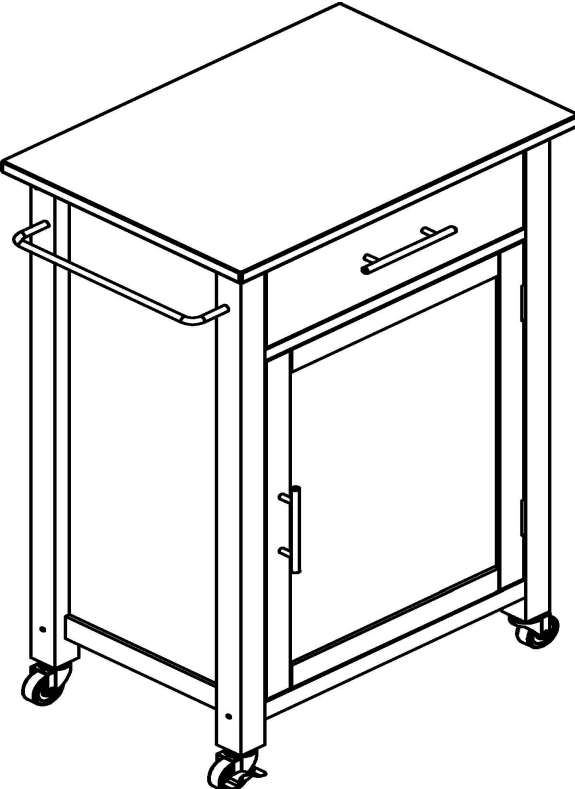
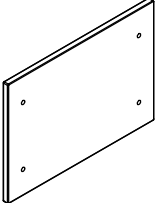
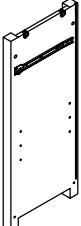
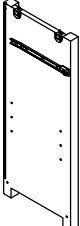
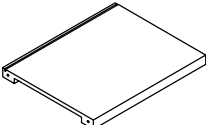

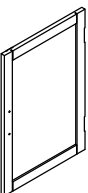
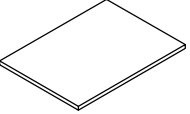
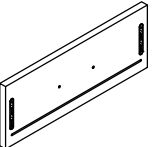
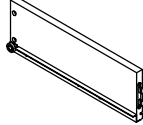
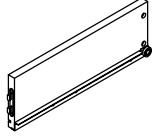
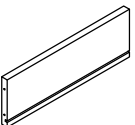
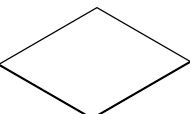
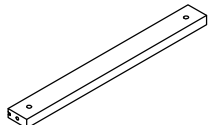
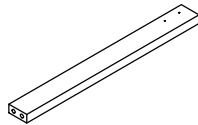


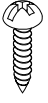


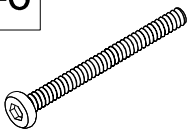

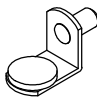
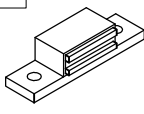
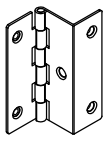
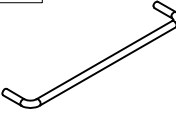
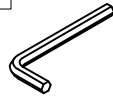
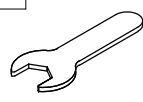
Kitchen Cart



PART LIST

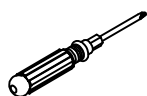
A 	B 	C 	D 	E 
Top Panel 1 PC	Left Frame 1 PC	Right Frame 1 PC	Bottom Panel 1 PC	Back Panel 1 PC
F 	G 	H 	I 	J 
Door 1 PC	Adjustable Shelf 1 PC	Drawer Front Panel 1 PC	Drawer Left Panel 1 PC	Drawer Right Panel 1 PC
K 	L 	M 	N 	
Drawer Back Panel 1 PC	Drawer Bottom Panel 1 PC	Back Rail 1 PC	Front Rail 1 PC	

HARDWARE LIST

#1  Ø3*15mm Round Head Screw 2 PCS	#2  Ø3.5*15mm Short Screw 14 PCS (Extra 1)	#3  Ø3*30mm Screw 4 PCS	#4  Ø5/32"*22mm Round Head Bolt 4 PCS	#5  Ø1/4"*1-1/2" Bolt 2 PCS
#6  Ø1/4"*3" Long Bolt 6 PCS	#7  Ø1/4" Barrel Nut 6 PCS	#8  Ø8*30mm Wood Dowel 4 PCS	#9  Shelf Holder 4 PCS	#10  Door Magnet 1 PC
#11  149*28*10mm Handle 2 PCS	#12  Hinge 2 PCS	#13  Hook 2 PCS	#14  Towel Bar 1 PC	#15  Locking Caster 2 PCS
#16  Caster 2 PCS	#17  4mm Allen Wrench 1 PC	#18  Wrench 1 PC		

ADDITIONAL TOOLS (Not Provided)

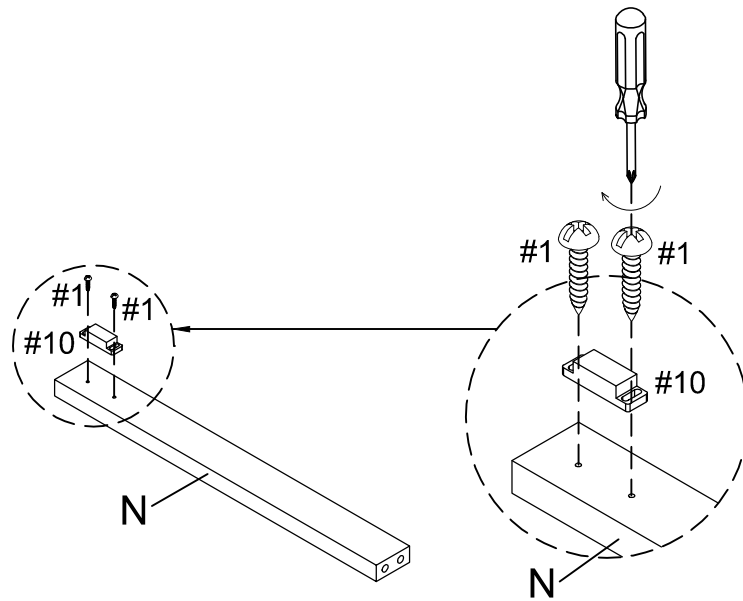
Note: It is not recommended to use power tools during assembly.


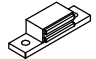


Phillips Head Screwdriver

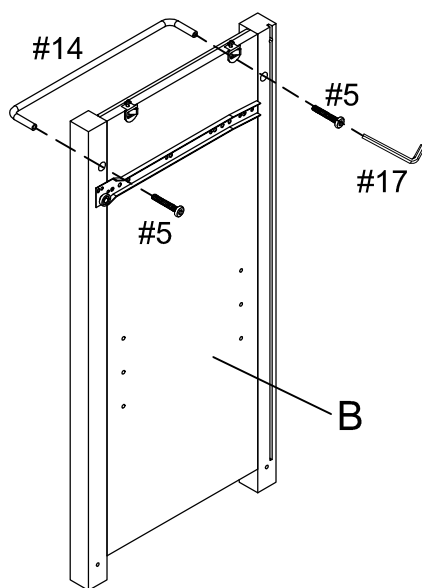
Note: Wood dowels are intended for alignment. Additional clearance between wood dowel and pre-drilled hole is intentional for ease of assembly.

Step 2. Attach door magnet (part #10) to front rail (part N) using round head screws (part #1) and phillips head screwdriver.



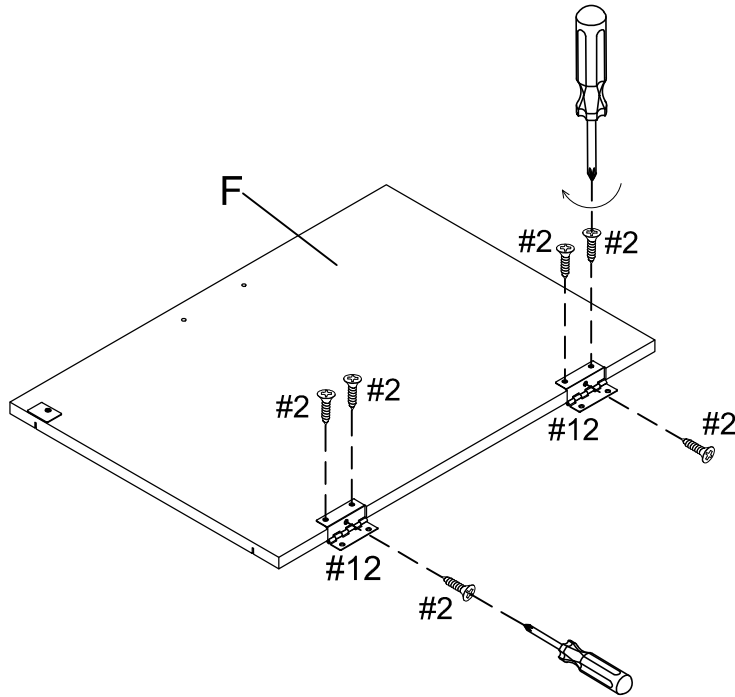
- #1  x 2
- #10  x 1



Step 3. Attach towel bar (part #14) to left frame (part B) using bolts (part #5) and allen wrench (part #17).



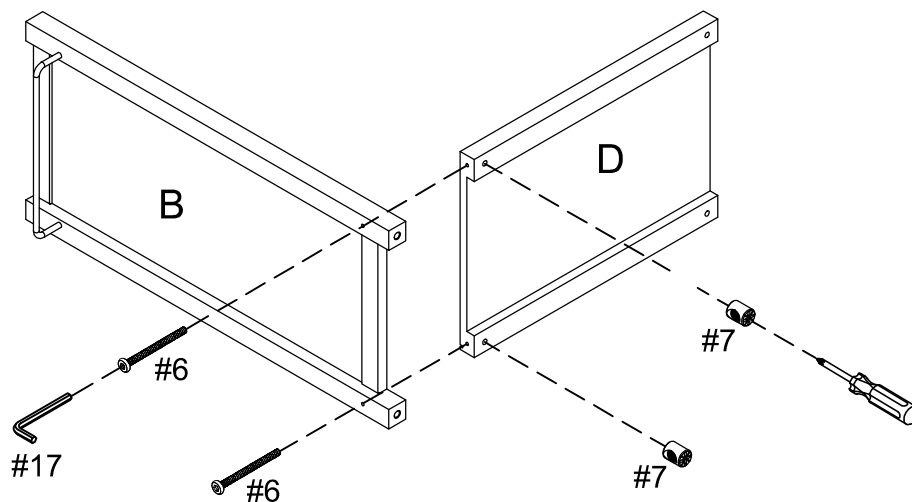
- #5  x 2
- #14  x 1
- #17  x 1




Step 4. Attach hinges (part #12) to door (part F) using short screws (part #2) and phillips head screwdriver.



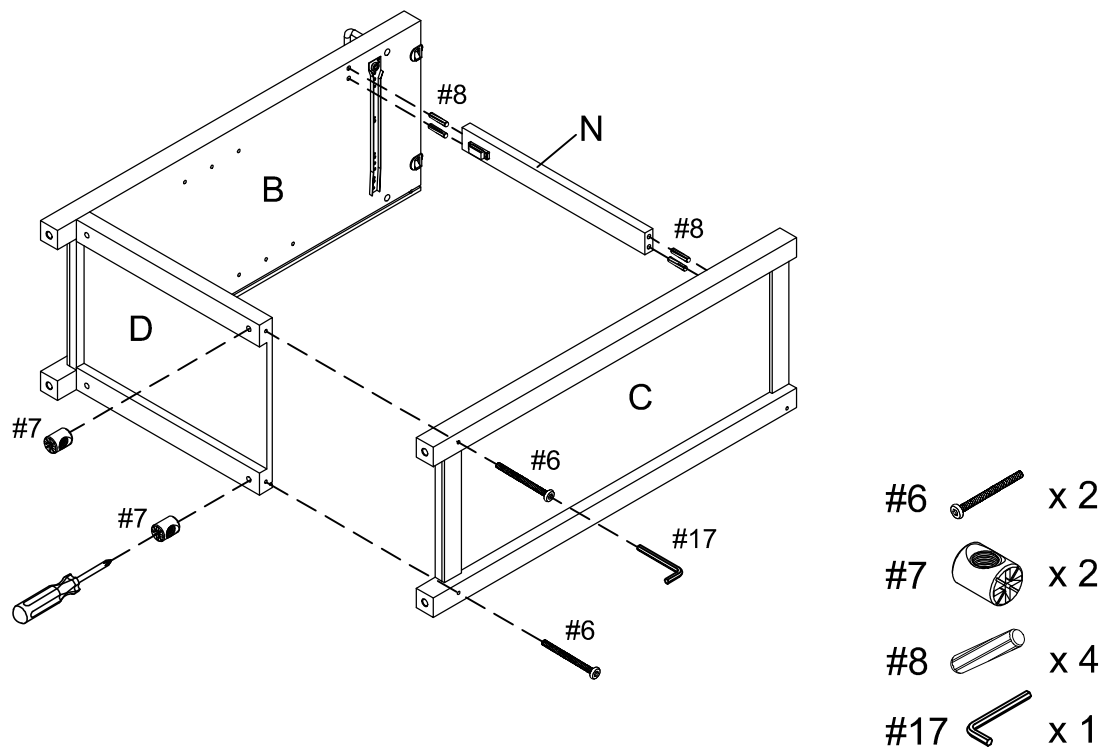
- #2  x 6
- #12  x 2

Step 5. Attach left frame (part B) to bottom panel (part D) using long bolts (part #6), barrel nuts (part #7), allen wrench (part #17) and phillips head screwdriver.

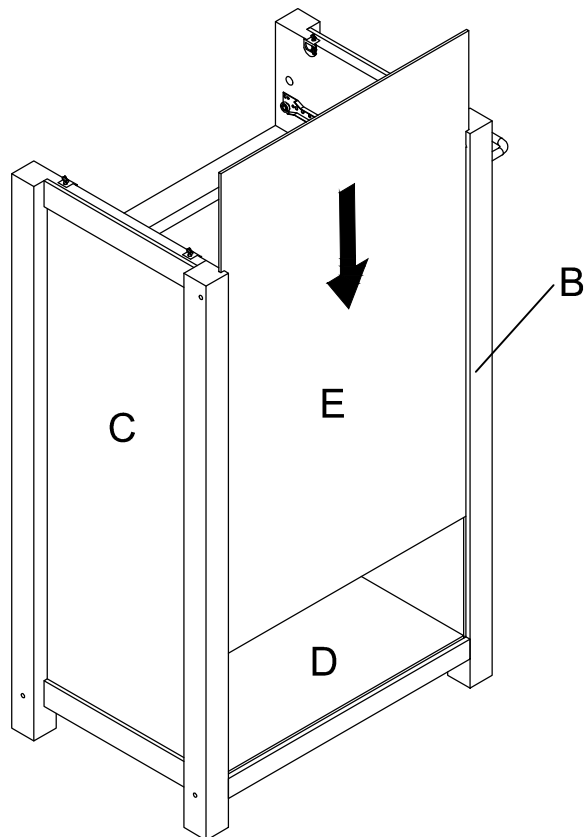


- #6  x 2
- #7  x 2
- #17  x 1

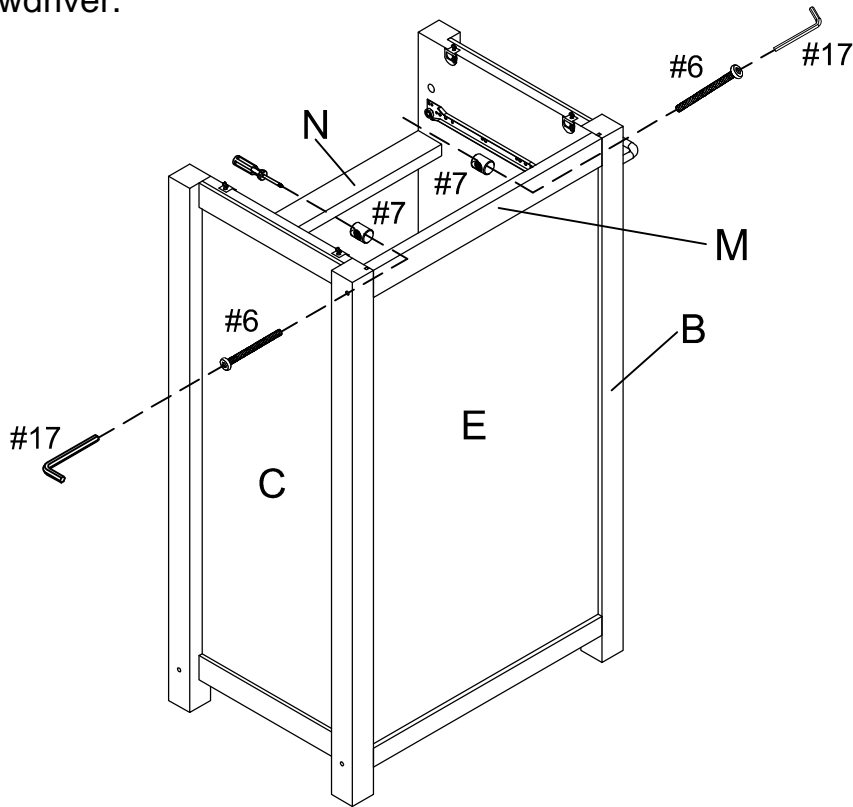
Step 6. Attach front rail (part N) to frames (parts B & C) using wood dowels (part #8). Attach right frame (part C) to bottom panel (part D) using barrel nuts (part #7), long bolts (part #6), allen wrench (part #17) and phillips head screwdriver.






Step 7. Carefully turn unit upright. Slide back panel (part E) into assembled unit (parts B, C & D).

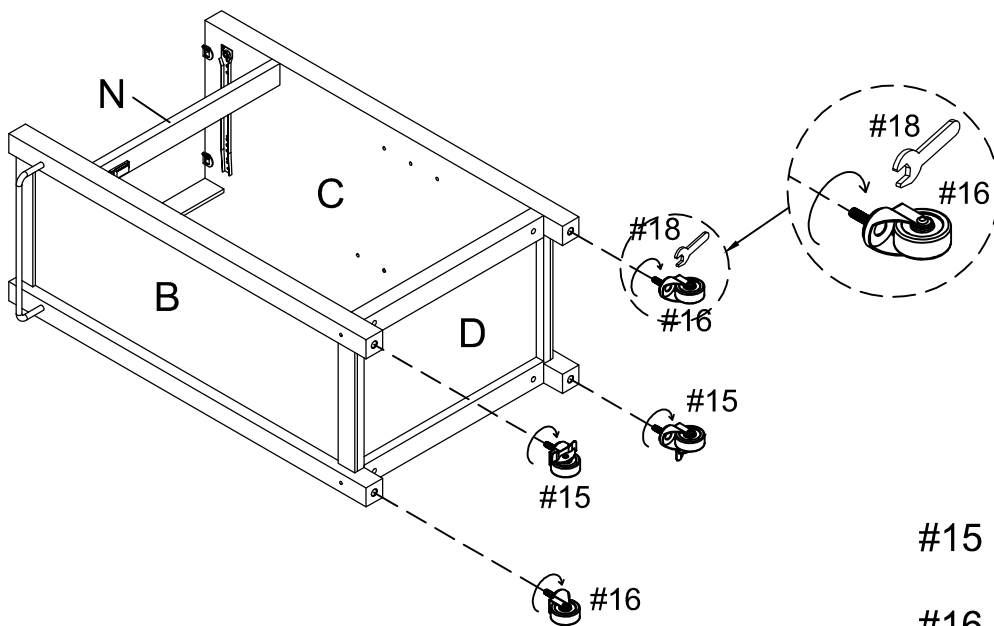





Step 8. Attach back rail (part M) to assembled unit (parts B, C & E) using long bolts (part #6), barrel nuts (part #7), allen wrench (part #17) and phillips head screwdriver.



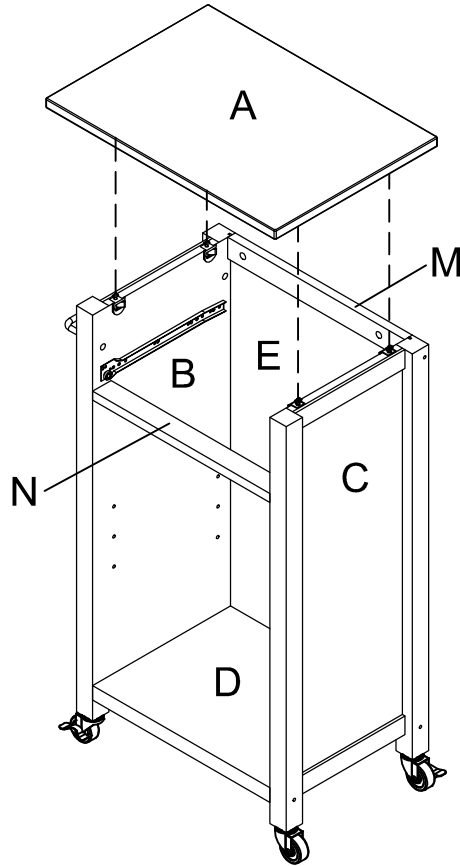
- #6  x 2
- #7  x 2
- #17  x 1

Step 9. Carefully lay down unit on a flat, soft surface, such as carpet. Attach locking casters (part #15) and casters (part #16) to frames (parts B & C) using wrench (part #18).

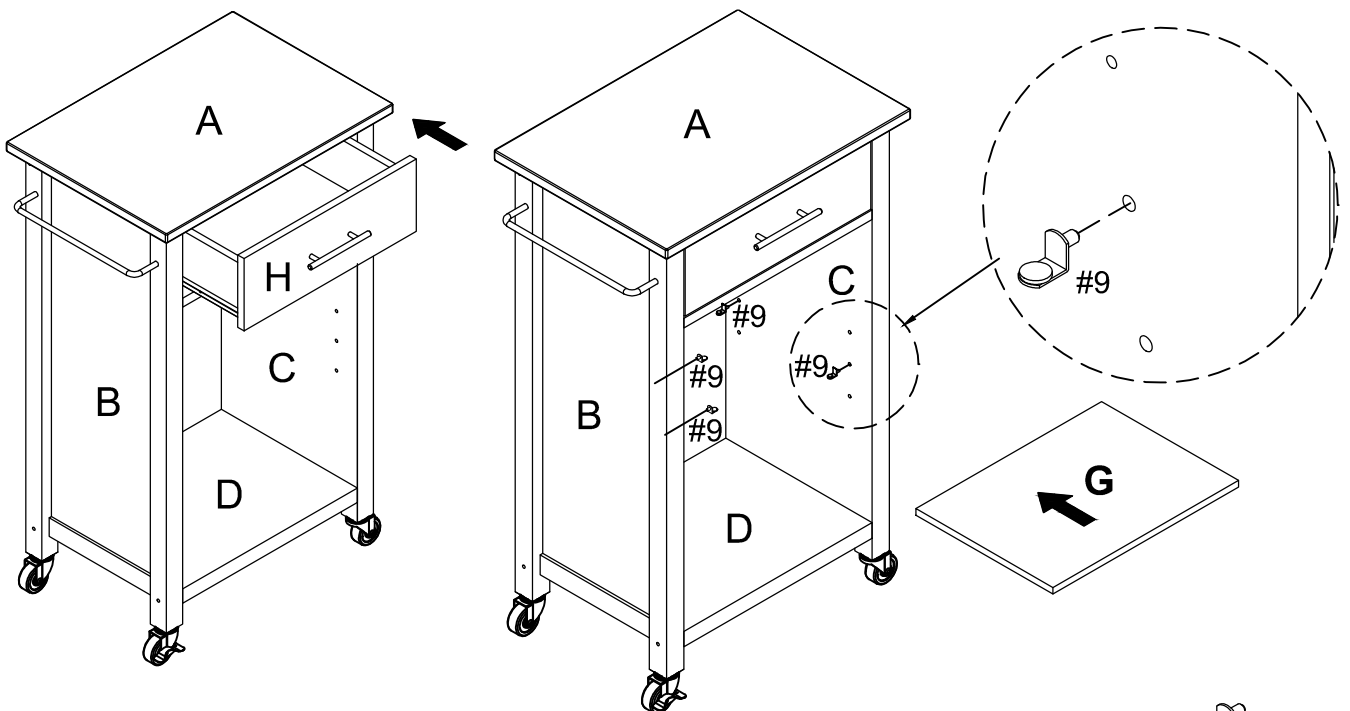


- #15  x 2
- #16  x 2
- #18  x 1

Step 10. Carefully turn unit upright. Attach top panel (part A) to left frame (part B) and right frame (part C) and lock the hardware.

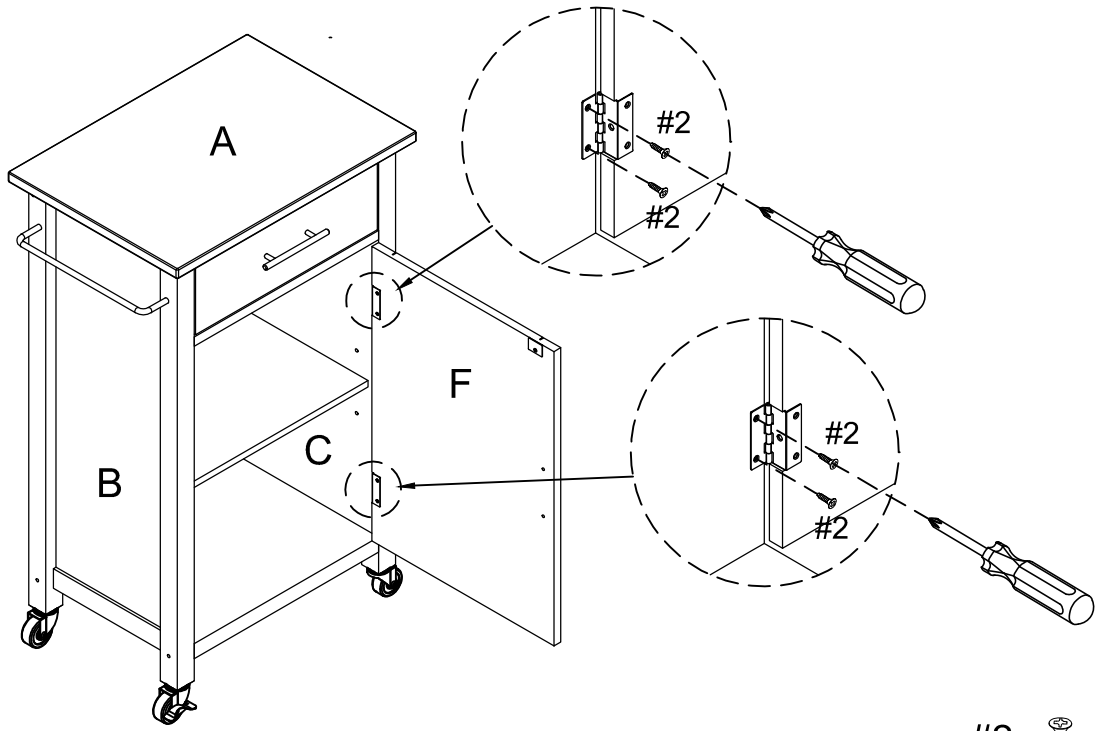


Step 11. Slide assembled drawer into place. Place shelf holders (part #9) into desired position and then slide adjustable shelf (part G) into place.



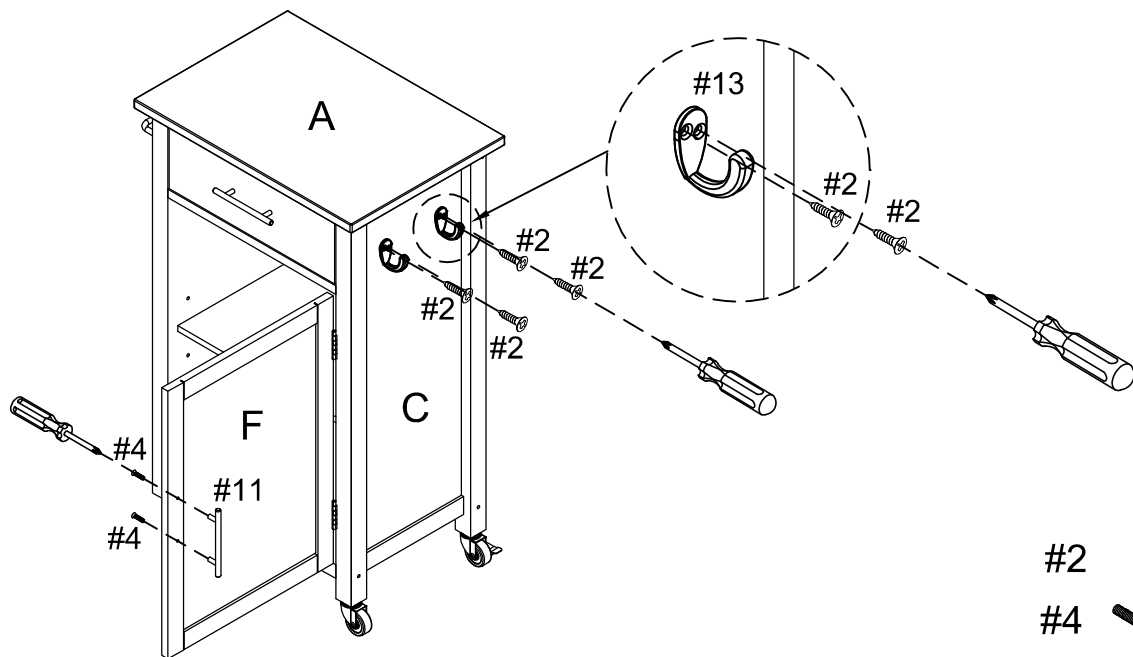
#9  x 4



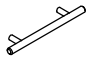

Step 12. Attach door (part F) to right frame (part C) using short screws (part #2) and phillips head screwdriver.



#2  x 4

Step 13. Attach hooks (part #13) to right frame (part C) using short screws (part #2) and phillips head screwdriver. Attach handle (part #11) to door (part F) using round head bolts (part #4) and phillips head screwdriver.



#2  x 4
 #4  x 2
 #11  x 1
 #13  x 2