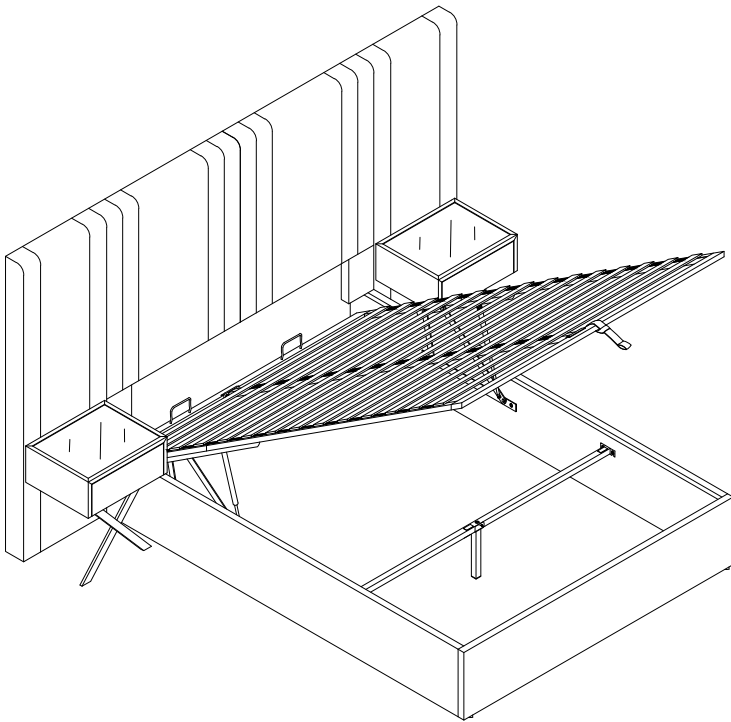


ASSEMBLY INSTRUCTION



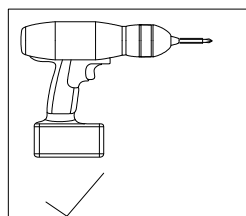
Please **TEAR OFF** this shrink film from side!
DO NOT USE CUTTER!

IMPORTANT NOTE

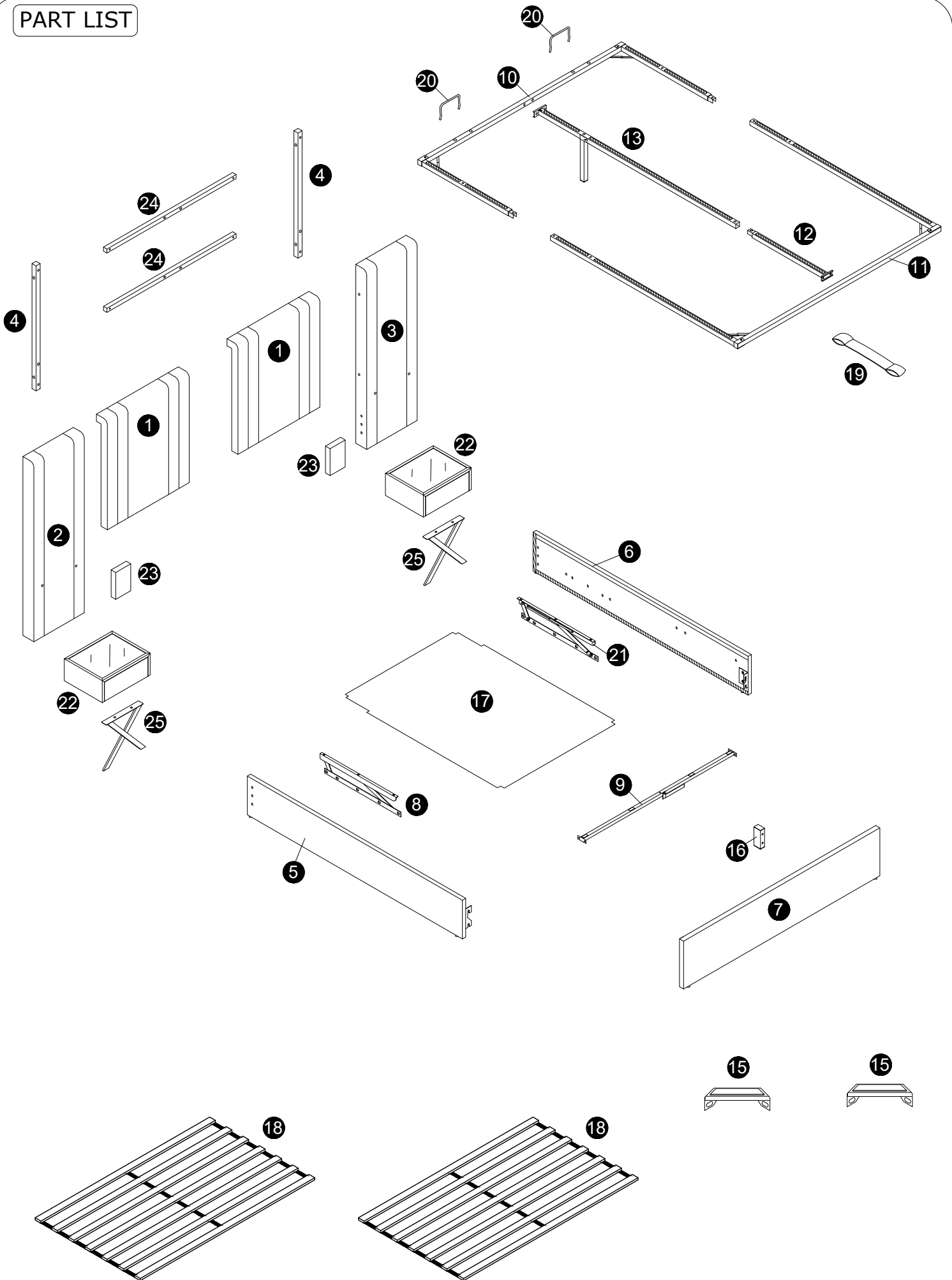
- 1. The product is shipped in three packages. Please check the number of packages received before assembly. If you are missing one package, receive a duplicate package, or have any assembly or after-sales issues, please contact us.**
2. For the protection of your furniture, place all parts on a clean and smooth surface to prevent any damage.
3. Keep fittings out of children's reach and keep children well away from construction area.
4. When moving your assembled bed, it is best to lift the bed and never to drag it.
5. Do not use this product if parts are missing, damaged or worn.
6. This product should only be used on firm, level ground.
7. Please periodically check all fittings and re-tighten as necessary.
8. Do not use the bed unless all bolts and screws are firmly secured.
9. For further assistance, please provide a screenshot of your order and contact us via email.



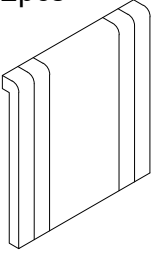
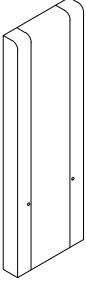
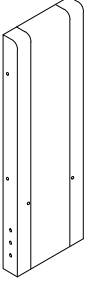

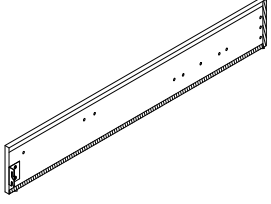
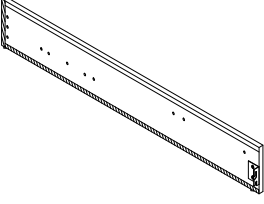
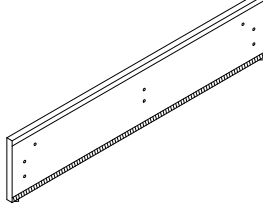
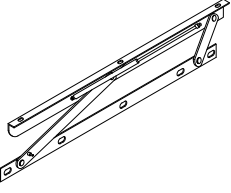
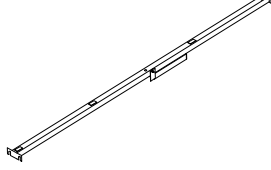
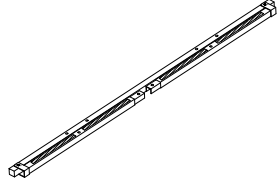
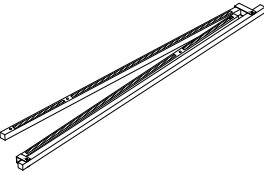
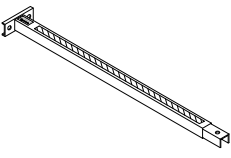
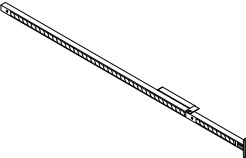

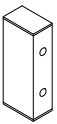
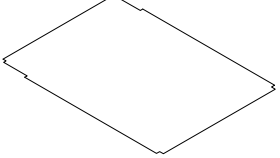
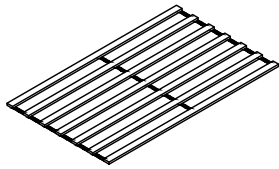
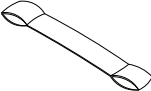
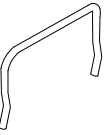
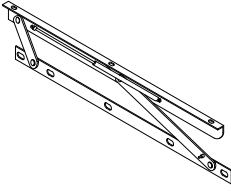
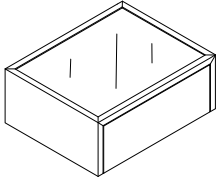
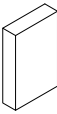
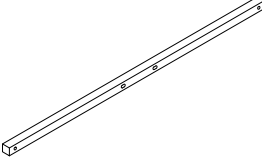
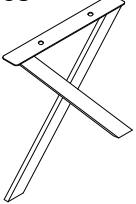
Minimum two
person assembly




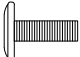



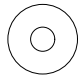
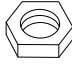
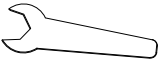

PART LIST



PART LIST

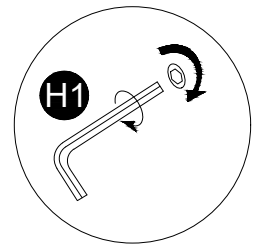
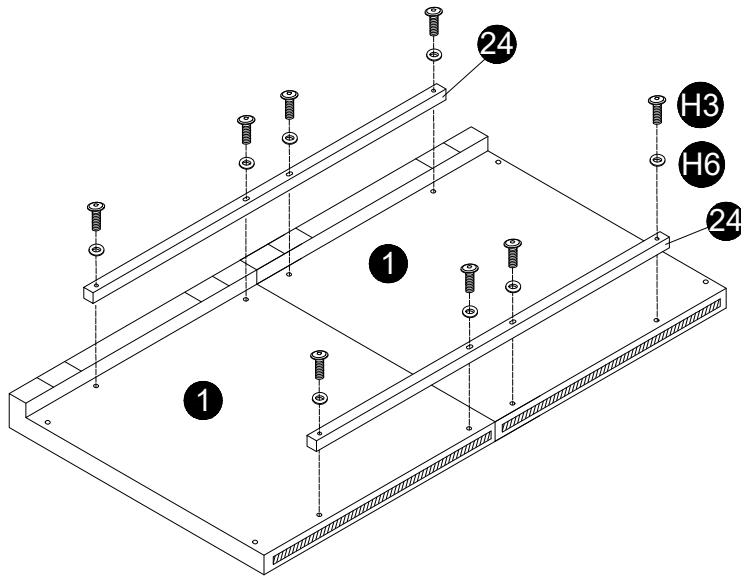
<p>1 x 2pcs</p> 	<p>2 x 1pc</p> 	<p>3 x 1pc</p> 	<p>4 x 2pcs</p> 	<p>5 x 1pc</p> 
<p>6 x 1pc</p> 	<p>7 x 1pc</p> 	<p>8 x 1pc</p> 	<p>9 x 1pc</p> 	<p>10 x 1pc</p> 
<p>11 x 1pc</p> 	<p>12 x 1pc</p> 	<p>13 x 1pc</p> 	<p>15 x 2pcs</p> 	<p>16 x 1pc</p> 
<p>17 x 1pc</p> 	<p>18 x 2pcs</p> 	<p>19 x 1pc</p> 	<p>20 x 2pcs</p> 	<p>21 x 1pc</p> 
<p>22 x 2pcs</p> 	<p>23 x 2pcs</p> 	<p>24 x 2pcs</p> 	<p>25 x 2pcs</p> 	

HARDWARE LIST

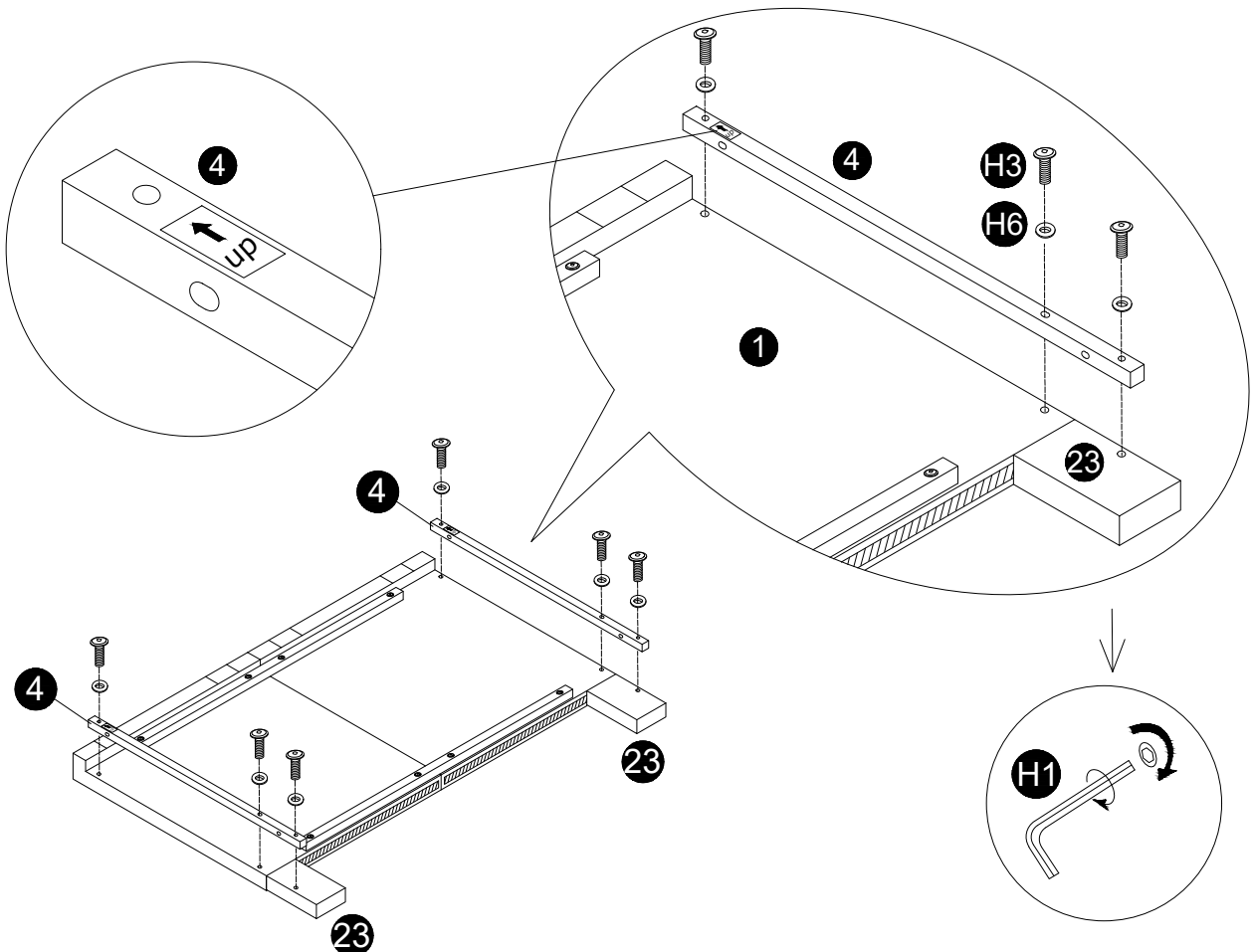
<p>H1 M5 x 1pc</p> 	<p>H2 M8x20mm x 31pcs</p> 	<p>H3 M8x50mm x 32pcs</p> 	<p>H4 M8x60mm x 2pcs</p> 
<p>H5 M8 x 10pcs</p> 	<p>H6 M8x22mm x 28pcs</p> 	<p>H7 M8 x 10pcs</p> 	<p>H8 M14 x 1pc</p> 
<p>H9 M8x70mm x 4pcs</p> 			

Please ensure to thoroughly inspect the small inner cardboard box containing the hardware, which are tied with a red string, before disposing of the box.

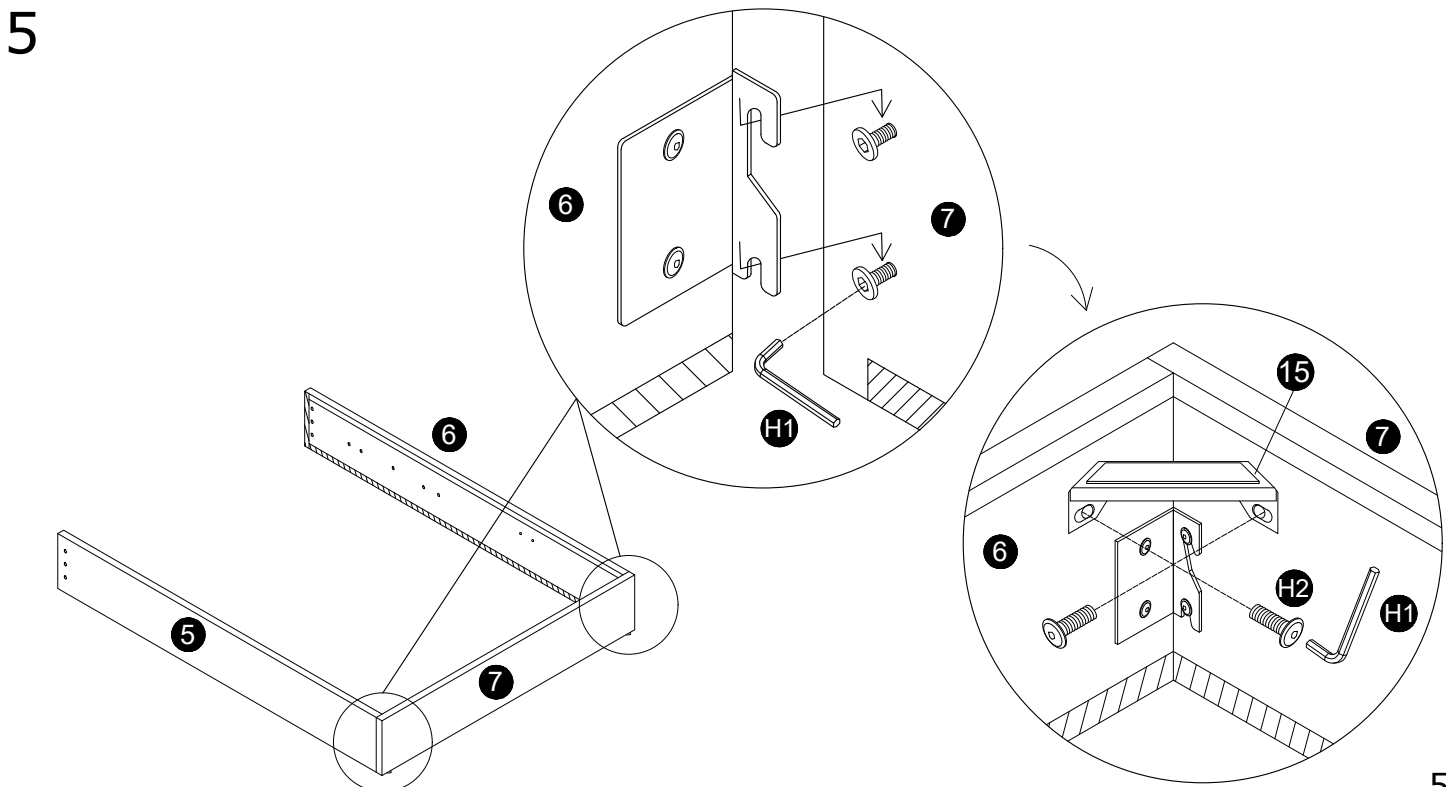
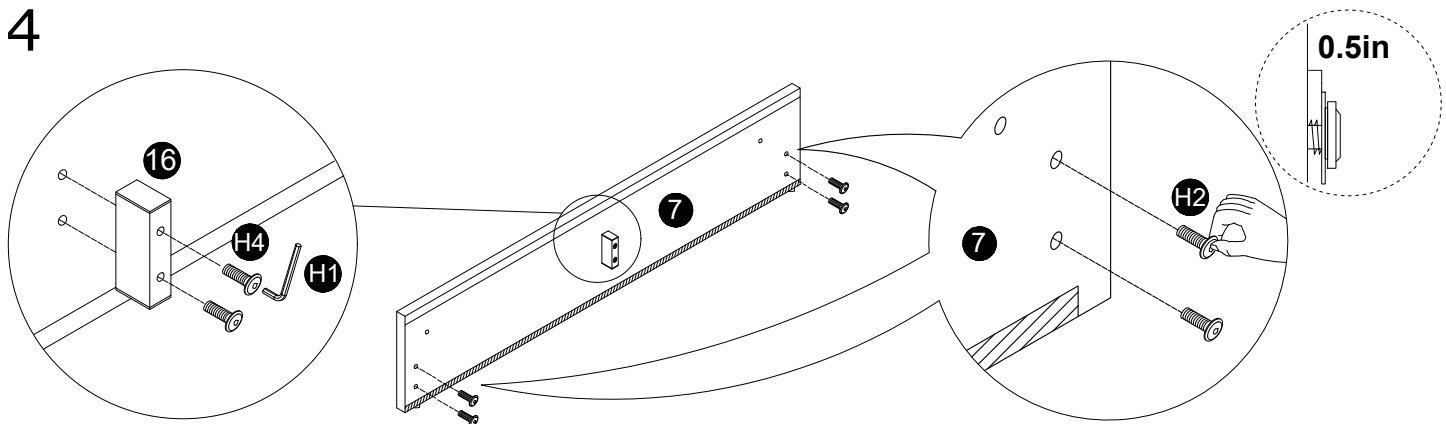
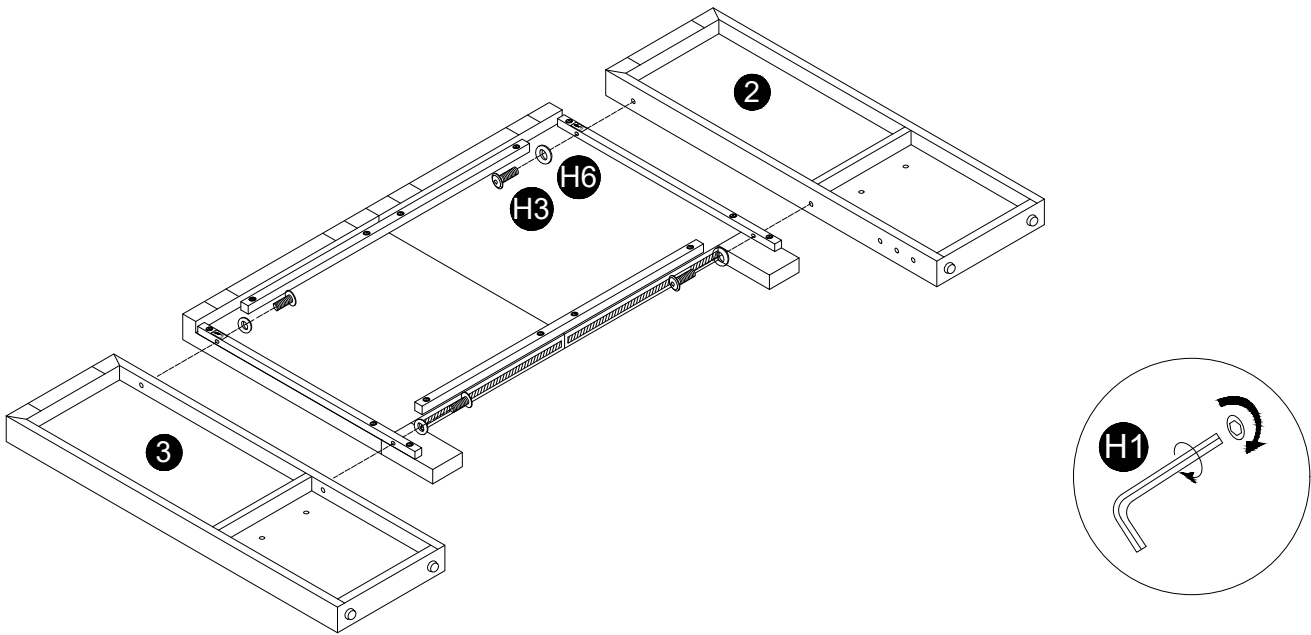
- 1** As shown in the diagram, align the screws with the corresponding holes and pre-fix them. Then, tighten each screw separately.



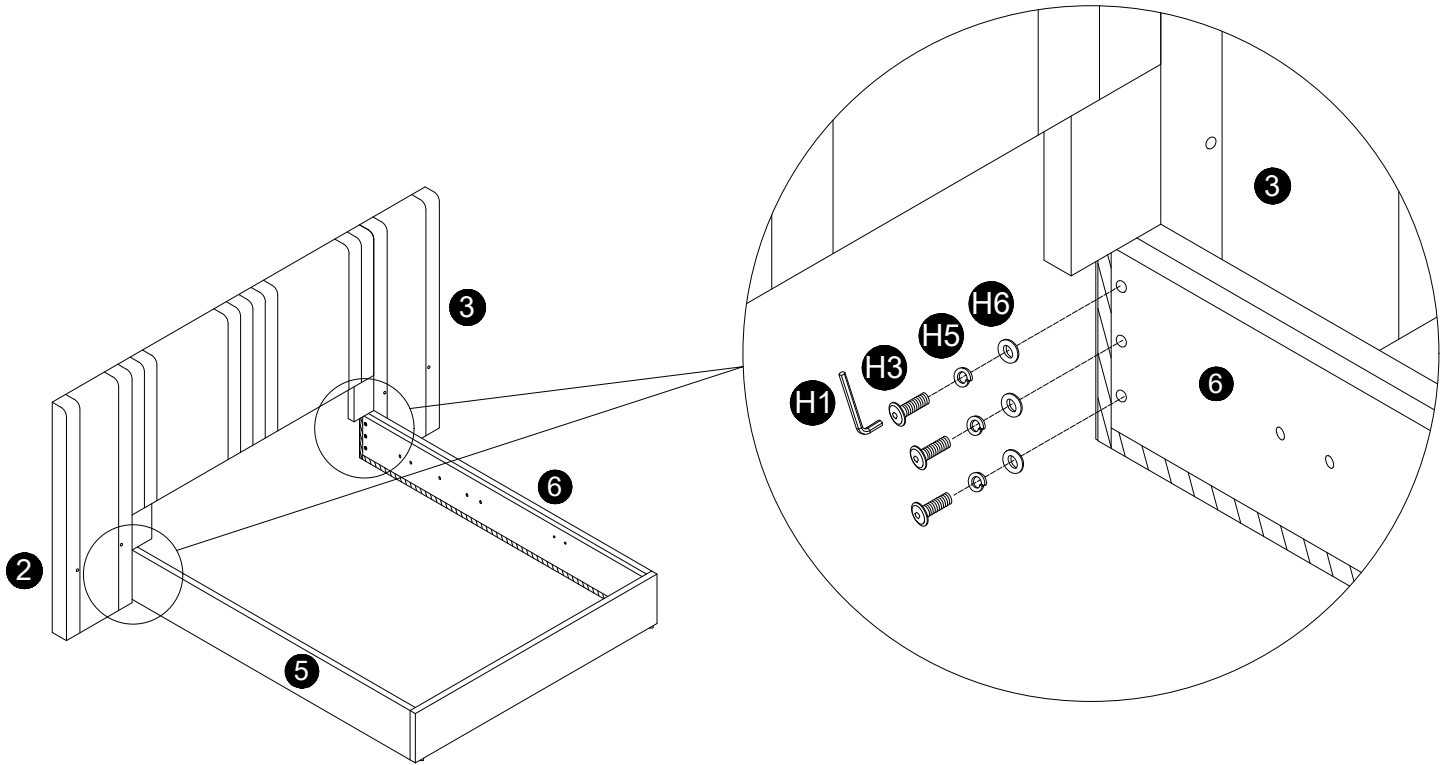
- 2** As shown in the diagram, align the screws with the corresponding holes and pre-fix them. Then, tighten each screw separately.



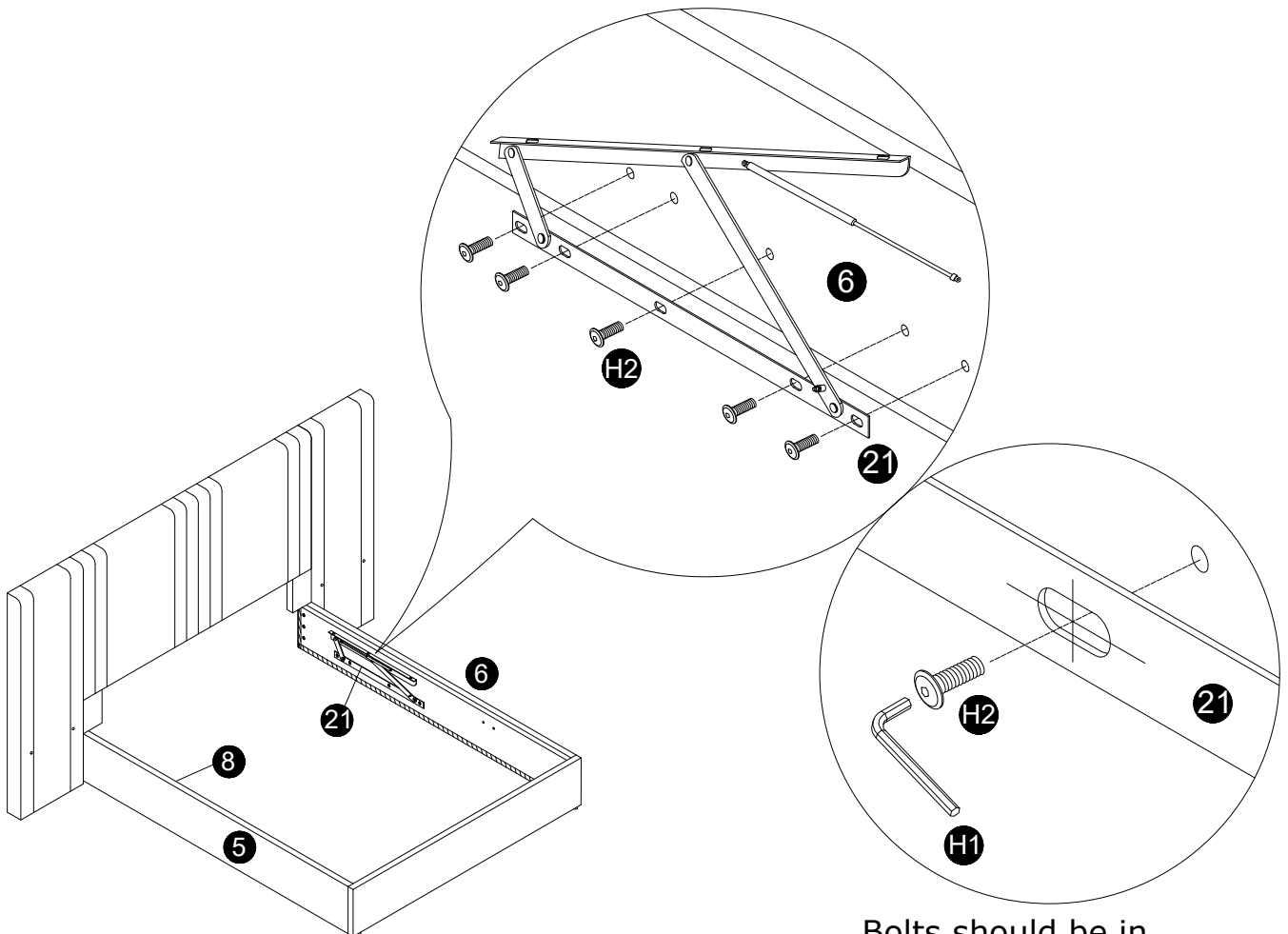
3 As shown in the diagram, align the screws with the corresponding holes and pre-fix them. Then, tighten each screw separately.



- 6** As shown in the diagram, align the screws with the corresponding holes and pre-fix them. Then, tighten each screw separately.

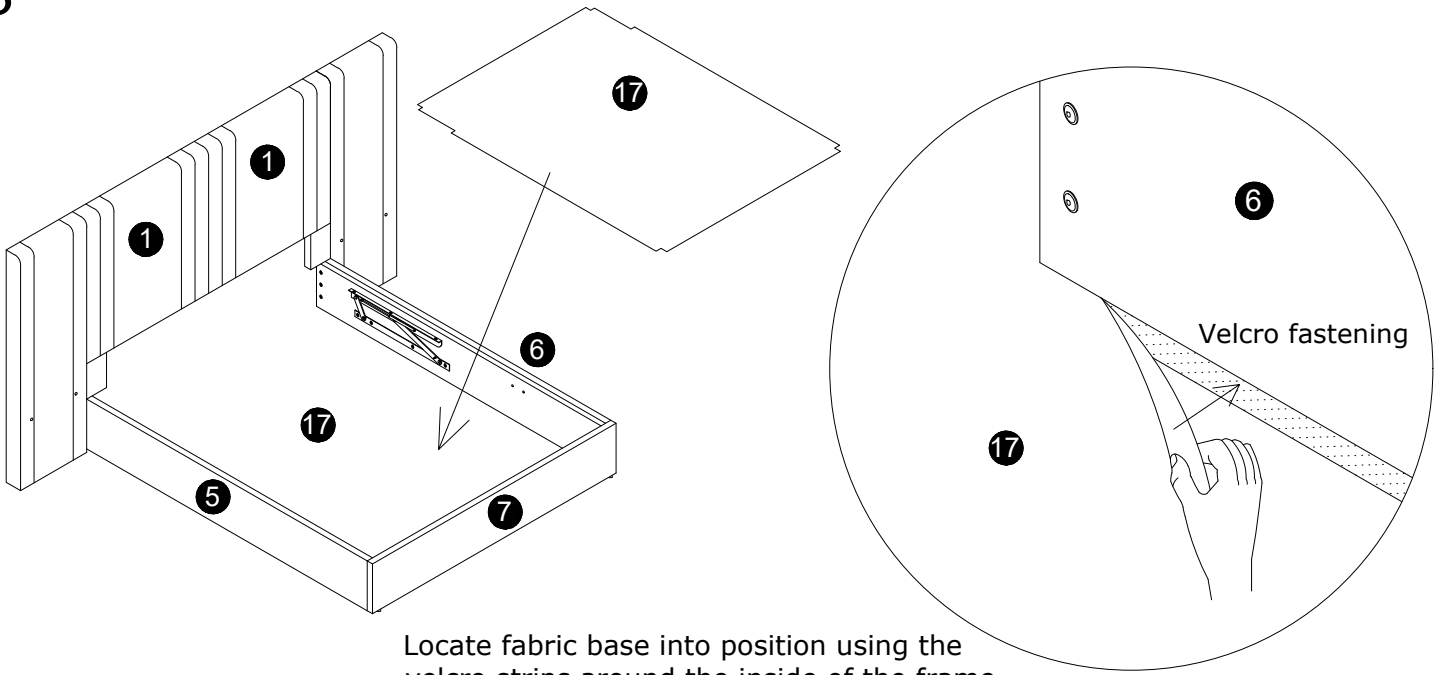


7



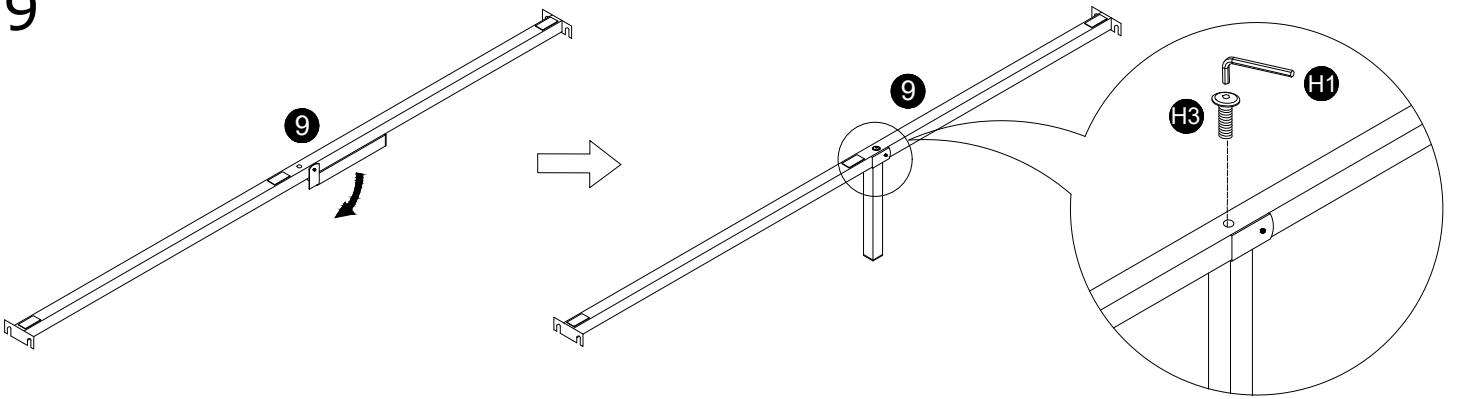
Bolts should be in
centre of long holes

8

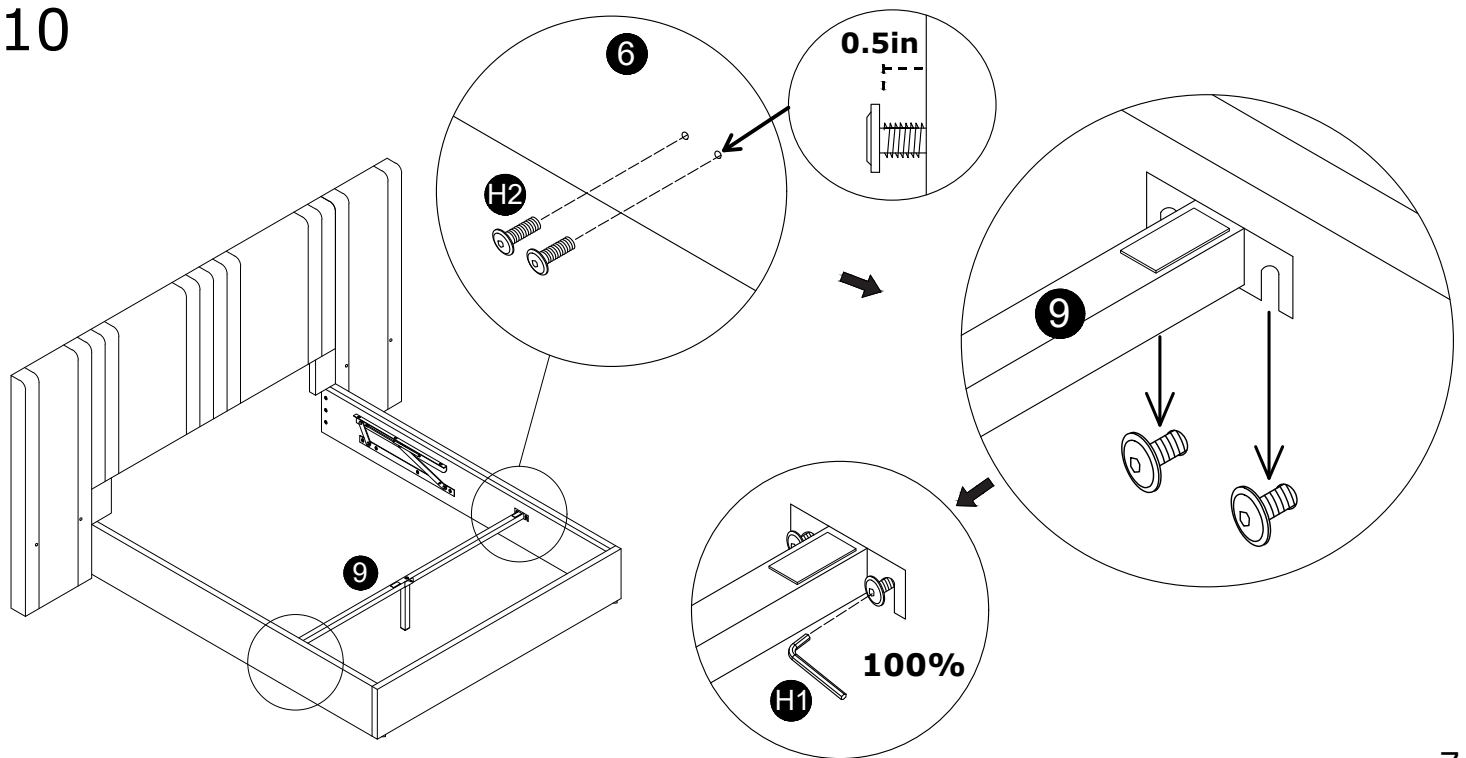


Locate fabric base into position using the velcro strips around the inside of the frame.

9

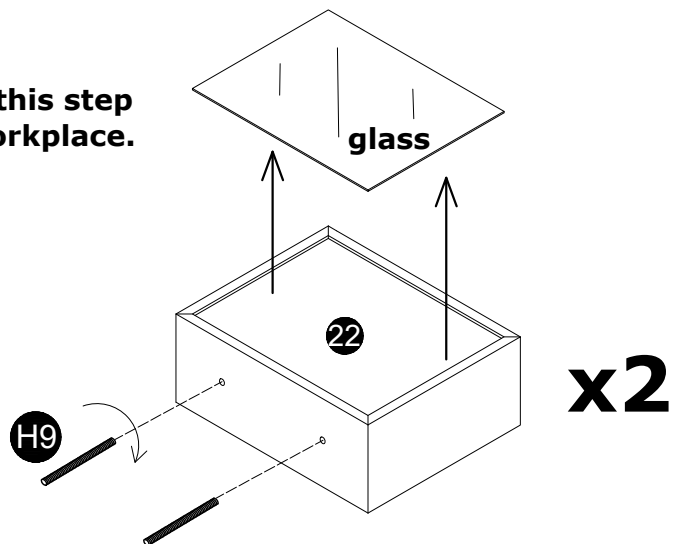


10

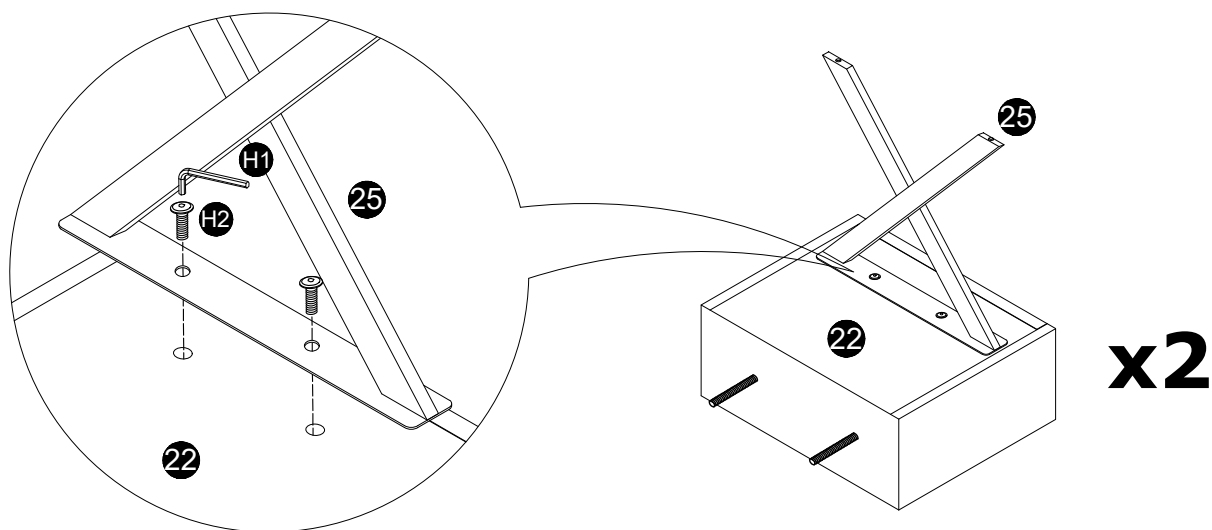


11

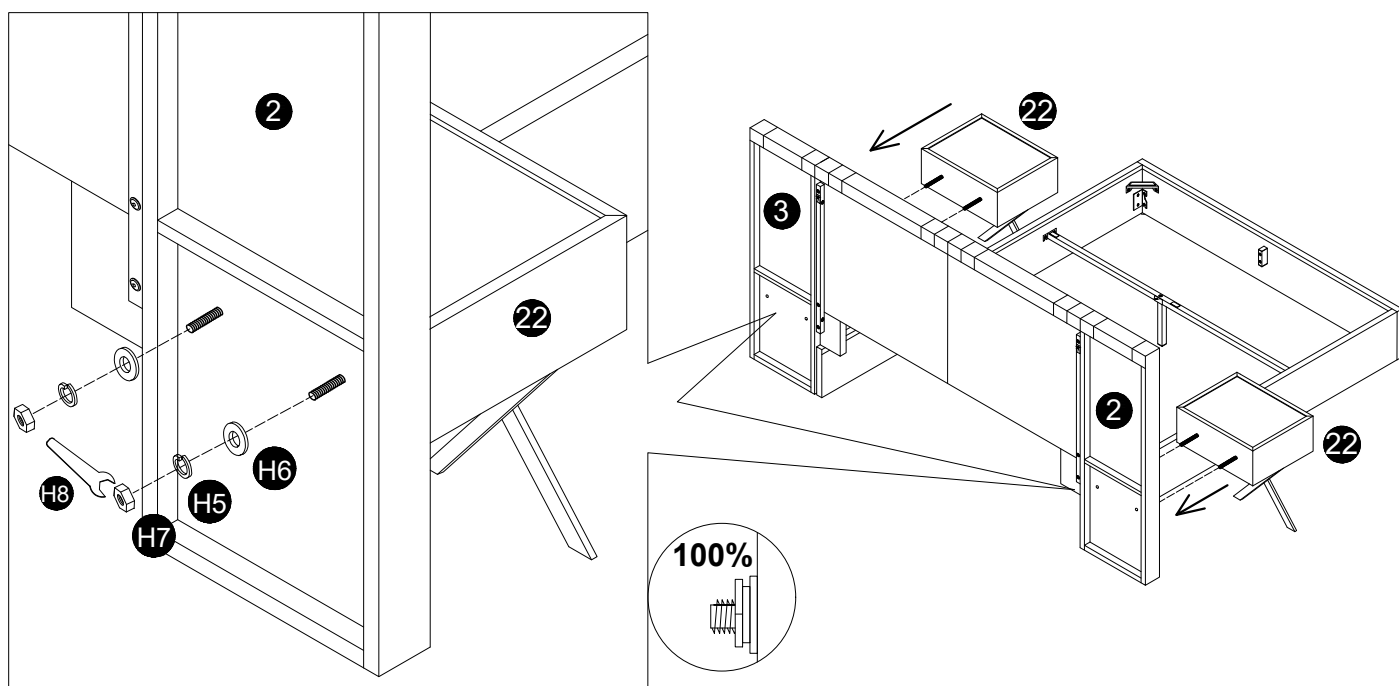
For safety, remove glass during this step and place well away from the workplace.



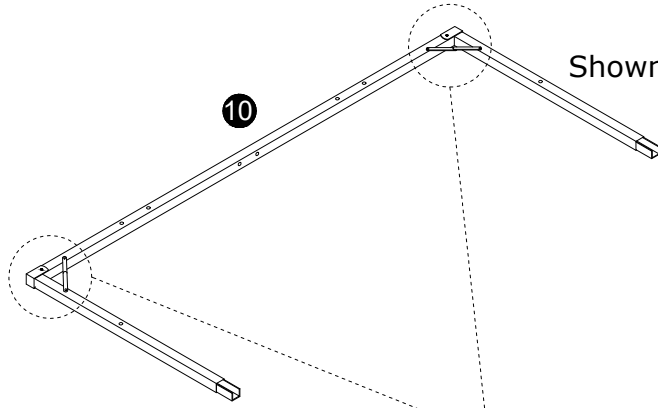
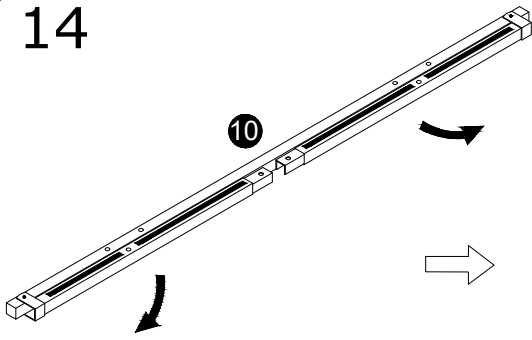
12



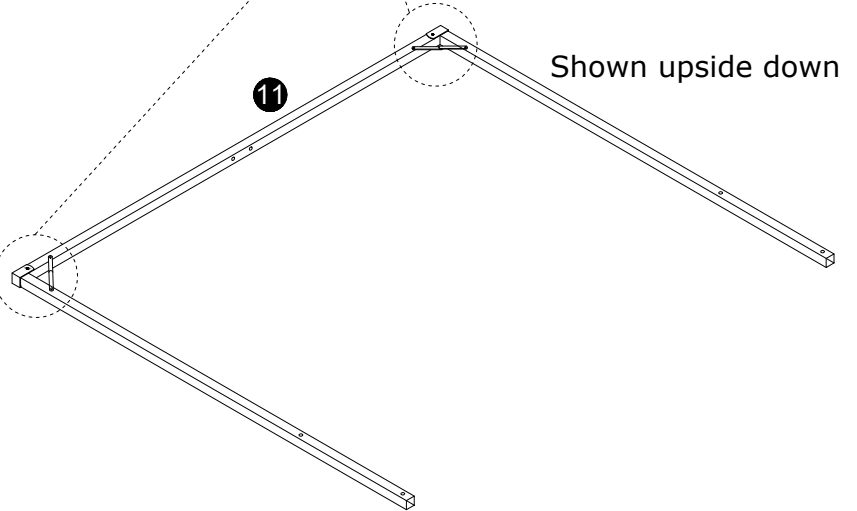
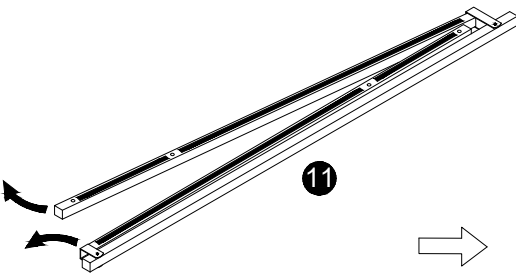
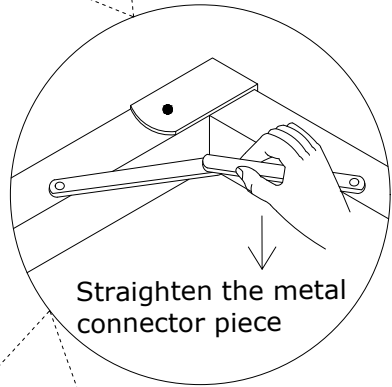
13



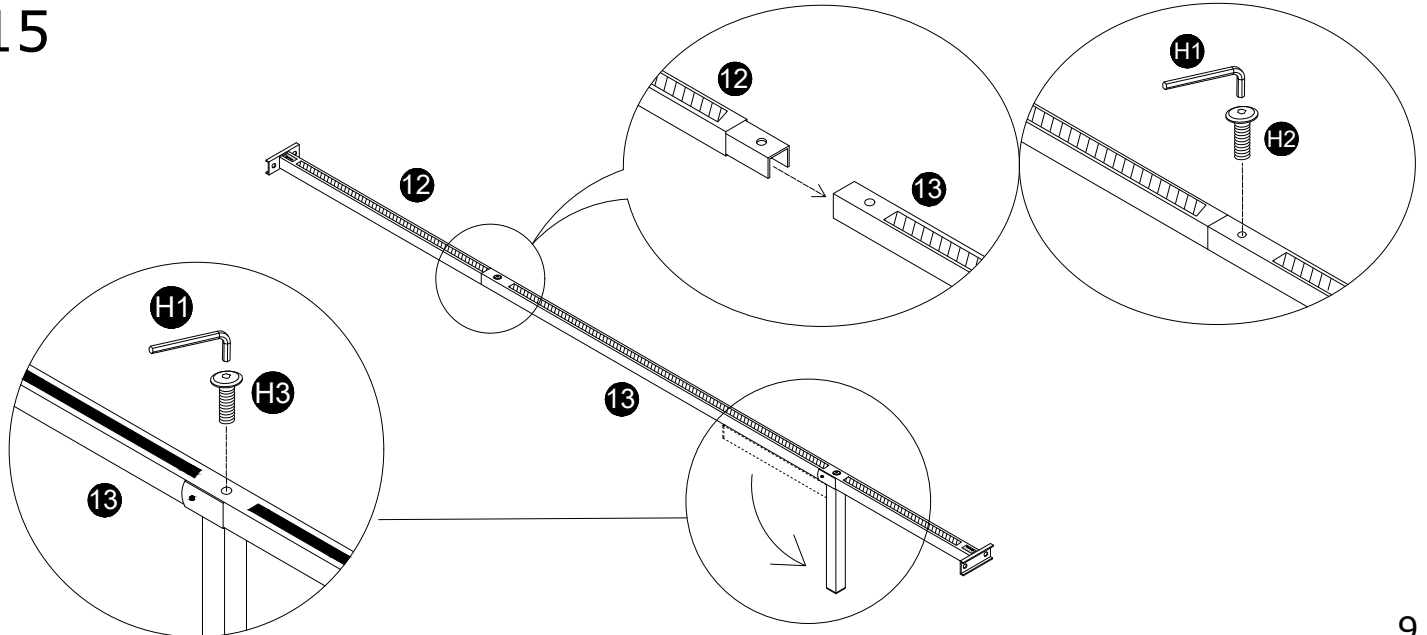
14

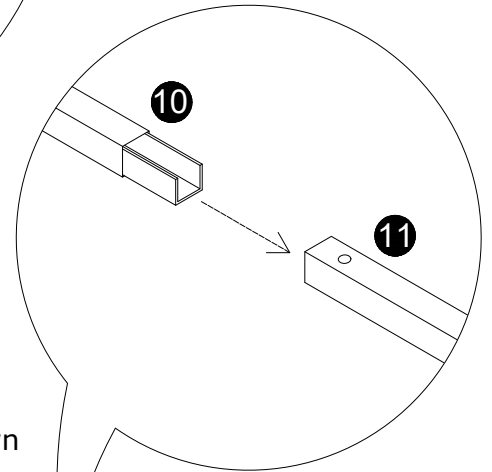
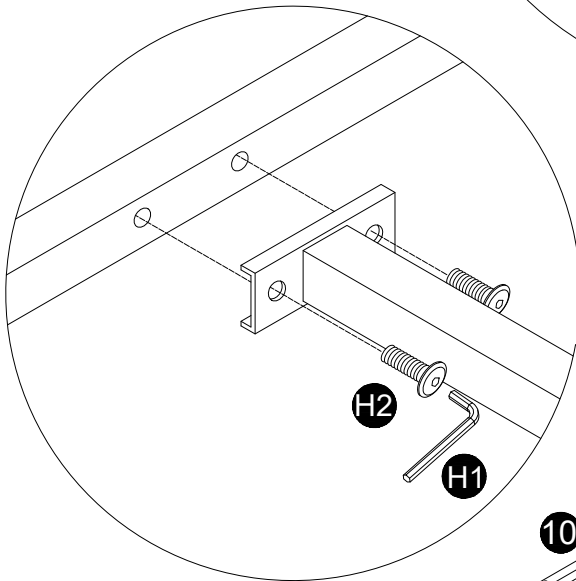
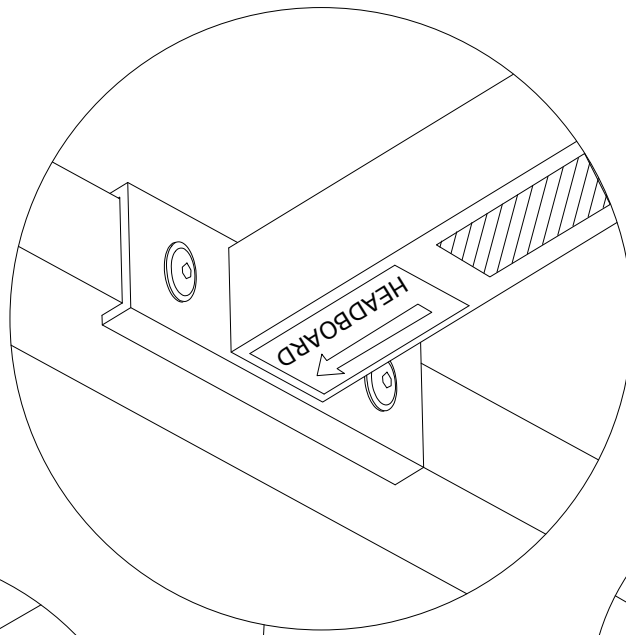


BEWARE OF CLAMP HAND

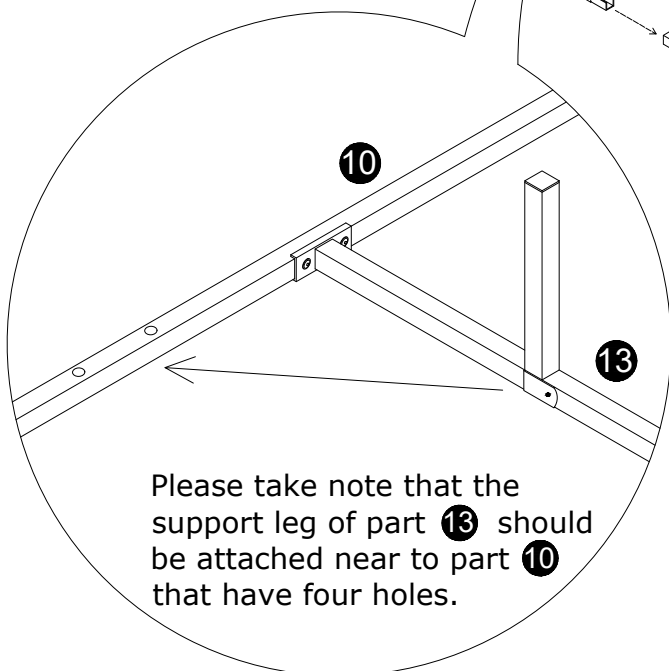
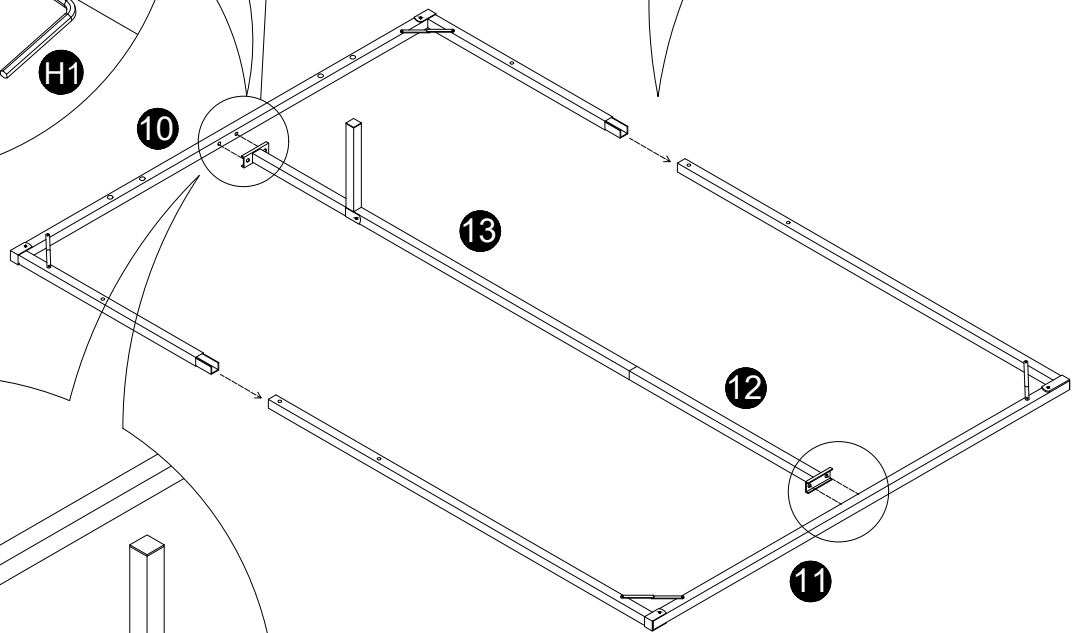


15



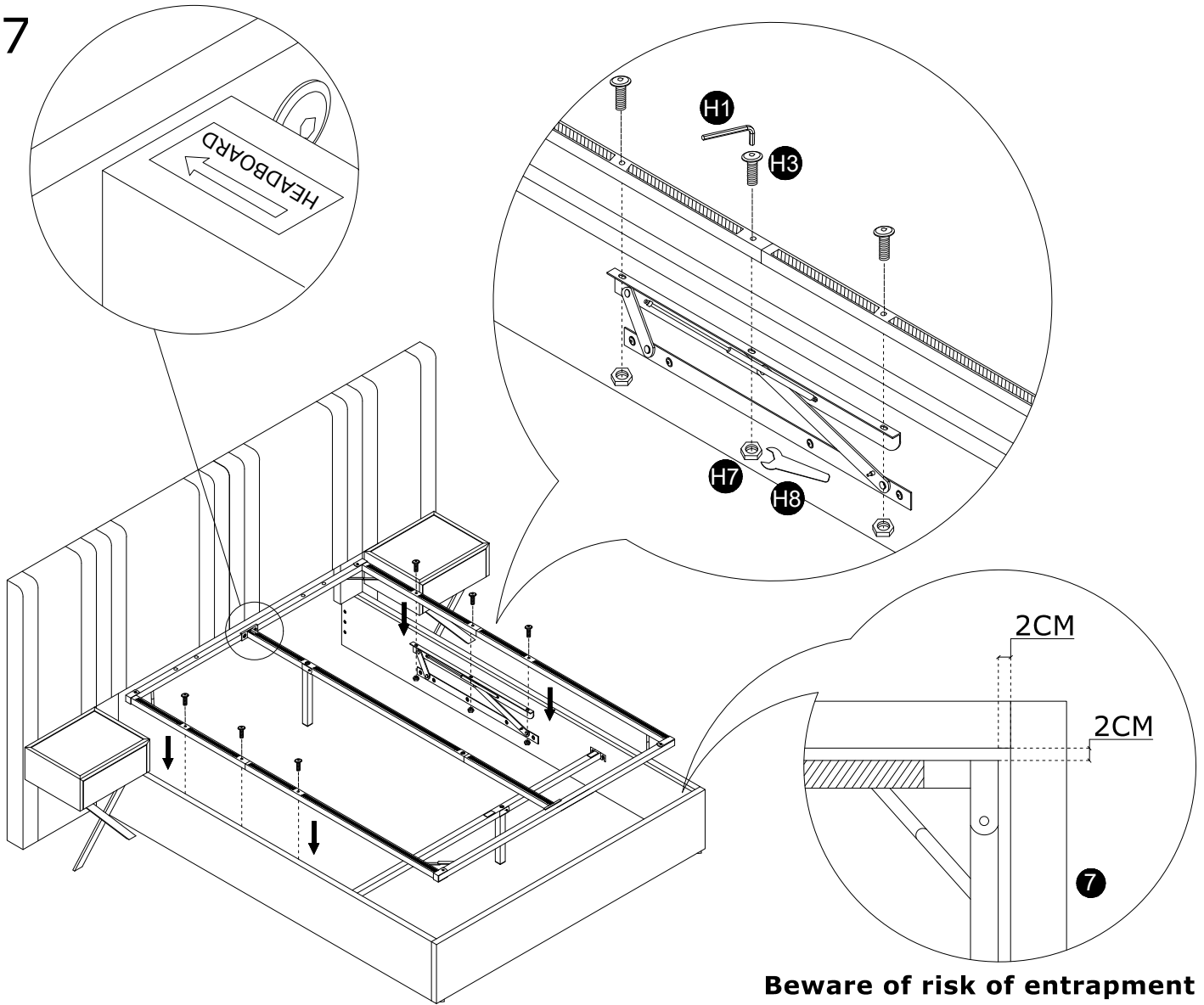


Shown upside down



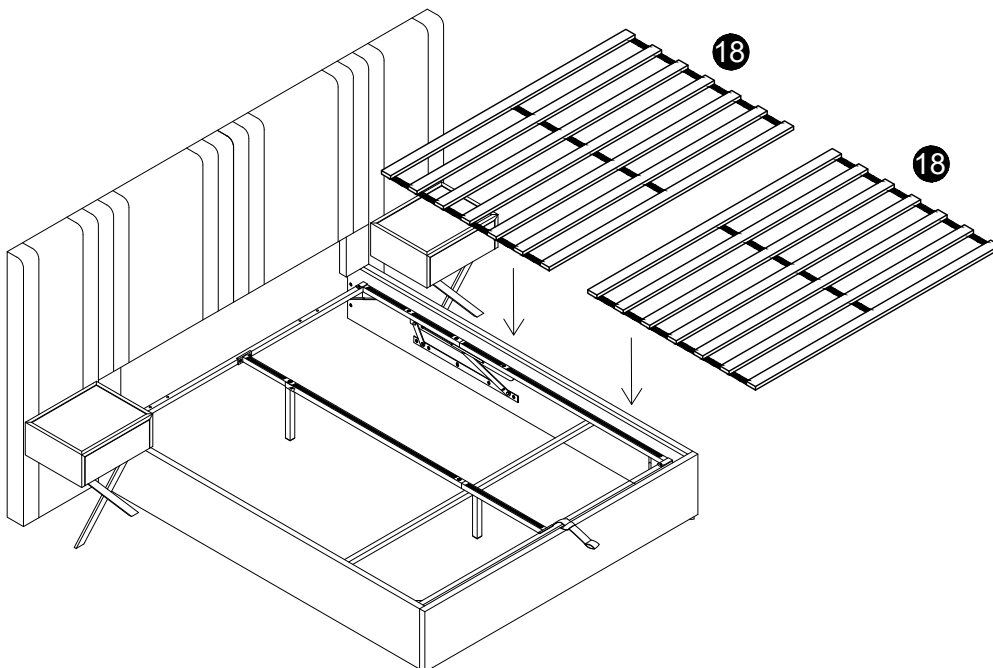
Please take note that the support leg of part **13** should be attached near to part **10** that have four holes.

17

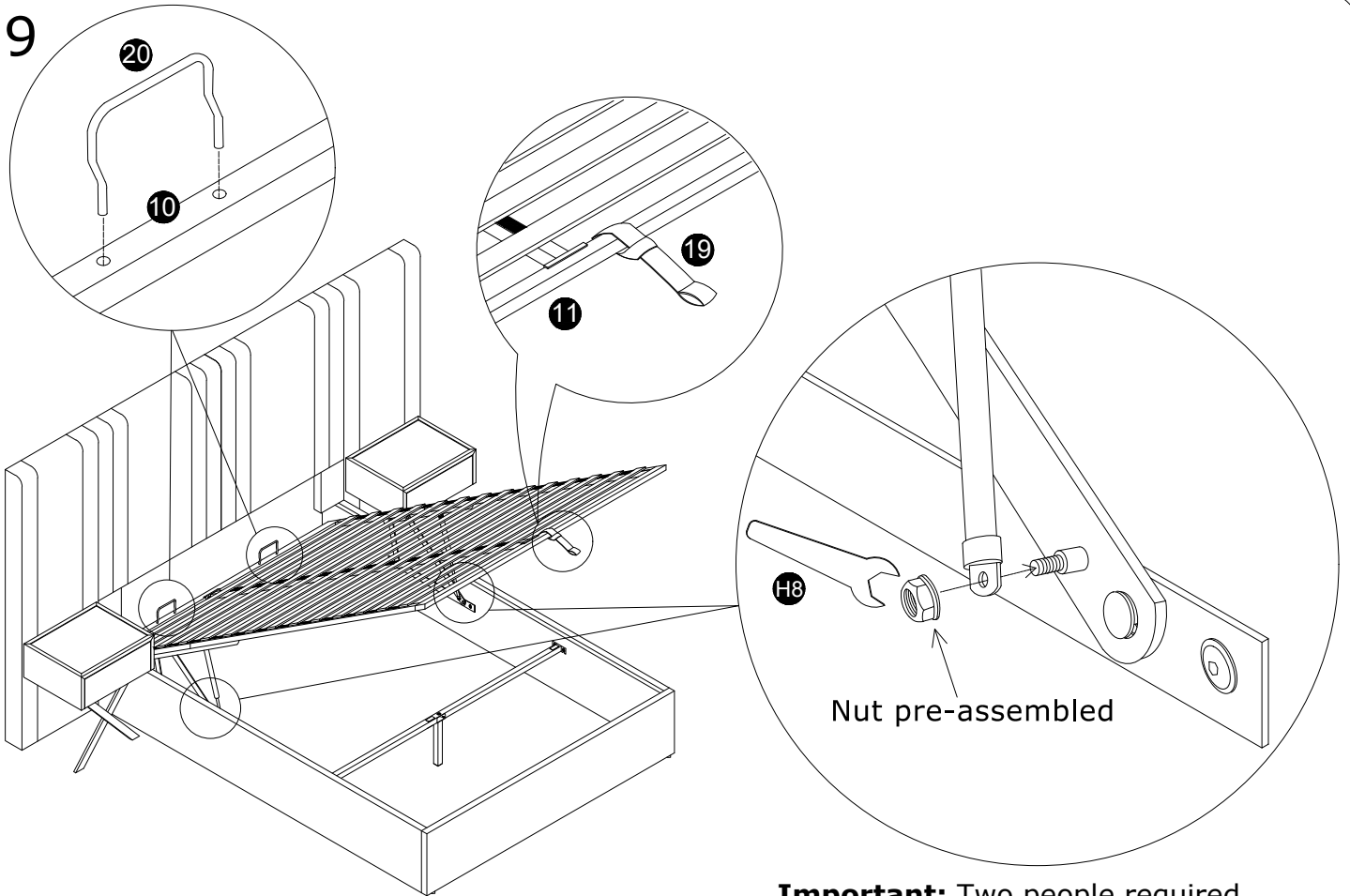


Beware of risk of entrapment from folding hinges!

18

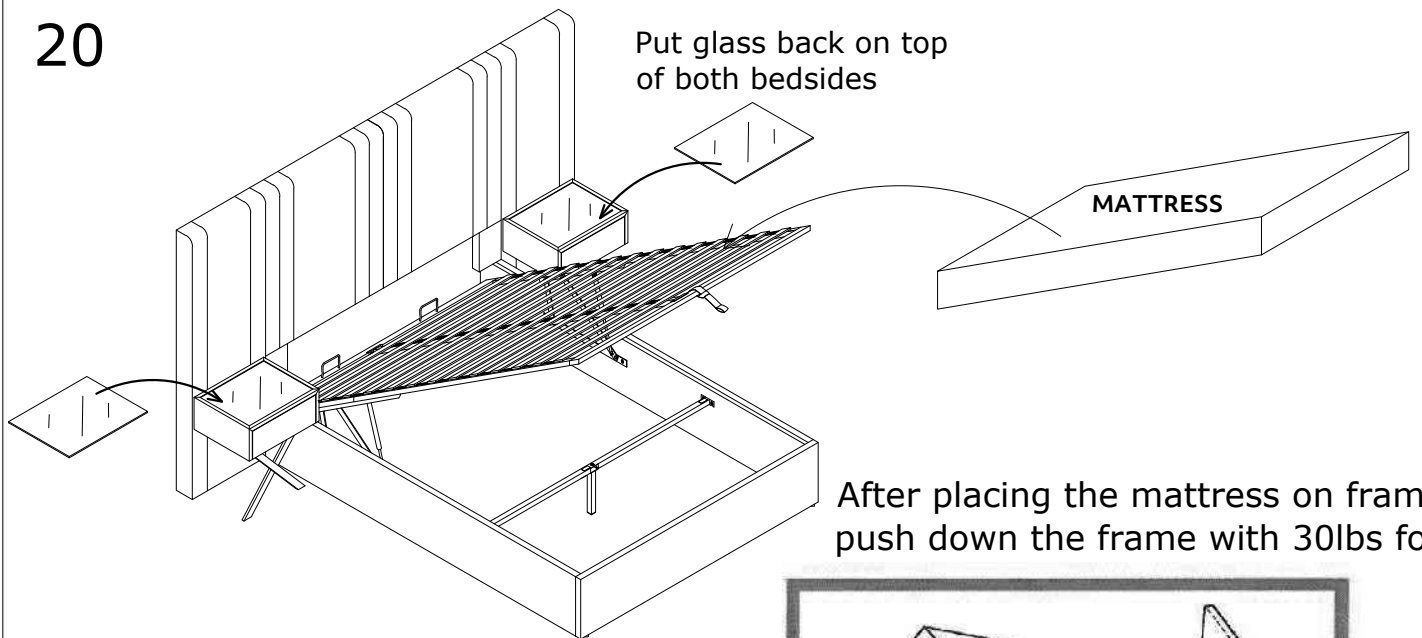


19



Important: Two people required.
Frame to be fully supported at all times!

20



After placing the mattress on frame,
push down the frame with 30lbs force.



Only lift when the mattress is in place.
Place mattress & Carefully lower frame down.
Keep objects/body part & children away from
moving parts.

