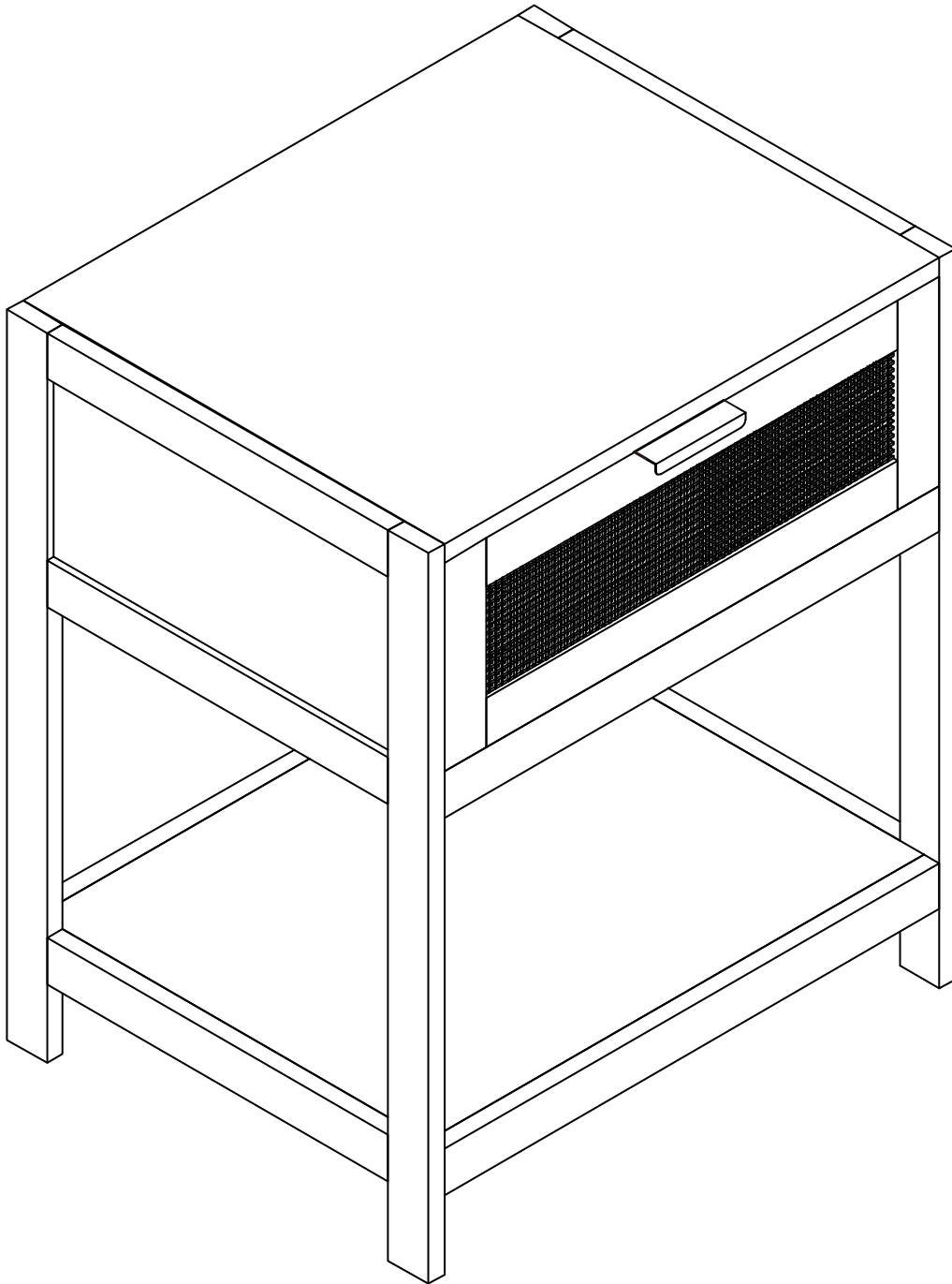
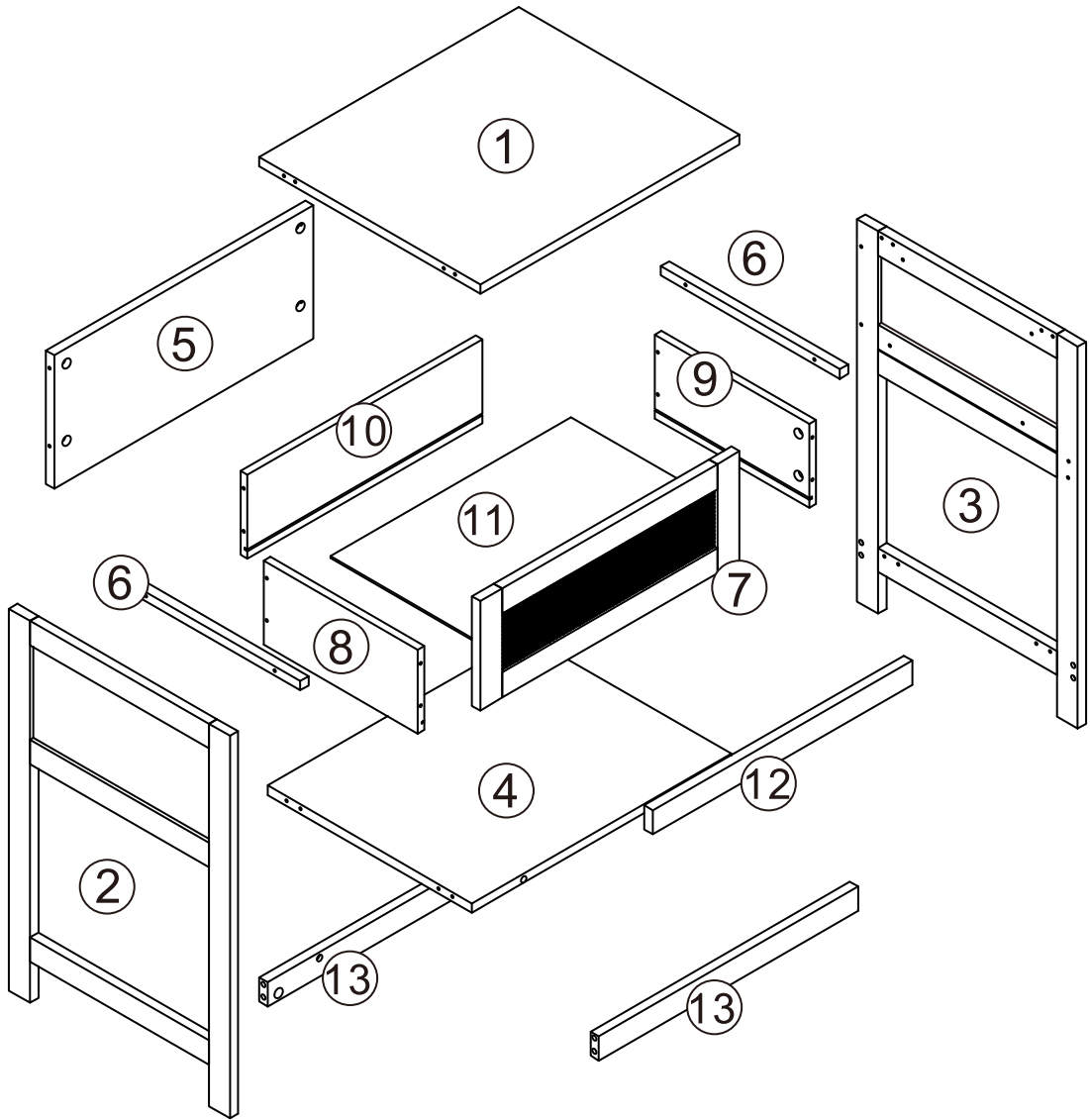



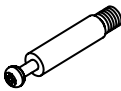

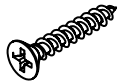
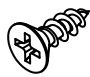
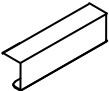






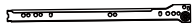
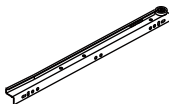
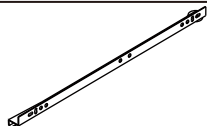
2406556

ASSEMBLY INSTRUCTIONS

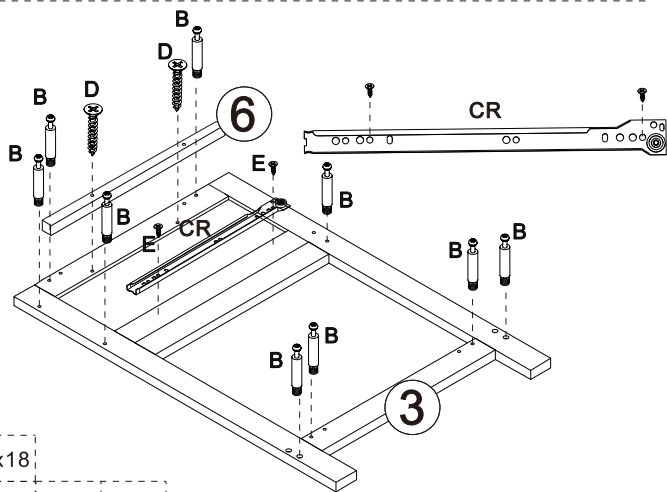
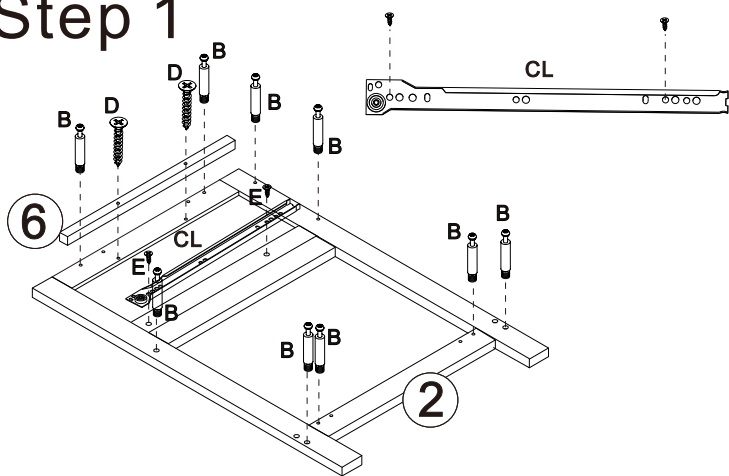
<<Before assembling, read all the instructions>>





				
Ax26	Bx26	Cx14	Dx8	Ex10
				
Fx1	Gx2	Hx2	Ix2	Jx2
				
Kx4	CLx1	CRx1	DLx1	DRx1

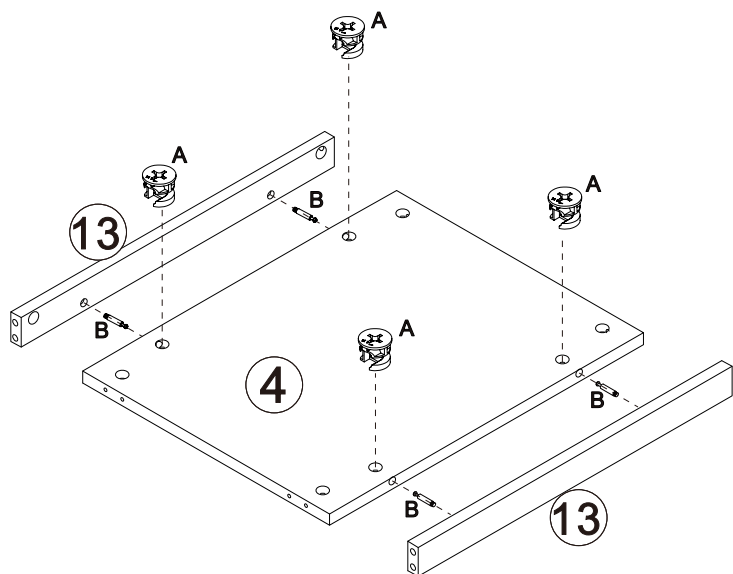
Step 1



	Bx18
	Dx4
	Ex4
	CLx1
	CRx1

Fix nine pieces of Hardware B to Part 2&3
 Connect Part 6 to 2&3 with two pieces of Hardware D respectively
 Fix Hardware CL to Part 2 with two pieces of Hardware E
 Fix Hardware CR to Part 3 with two pieces of Hardware E

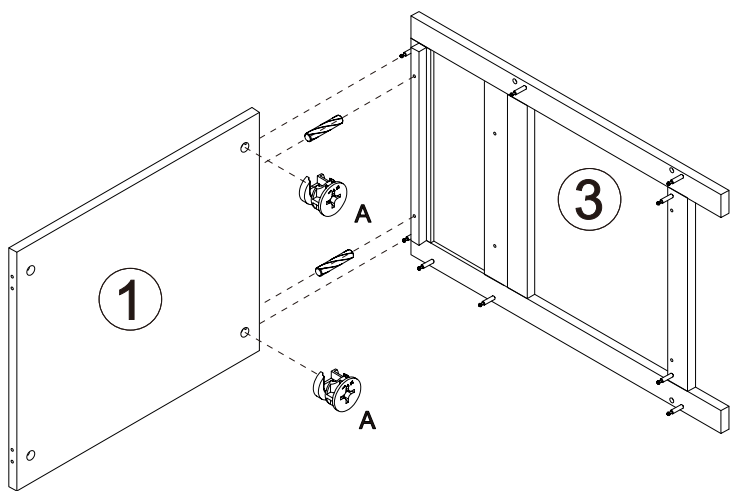
Step 2



Connect two Part 13 to 4 with Hardware A/B

	Ax4
	Bx4

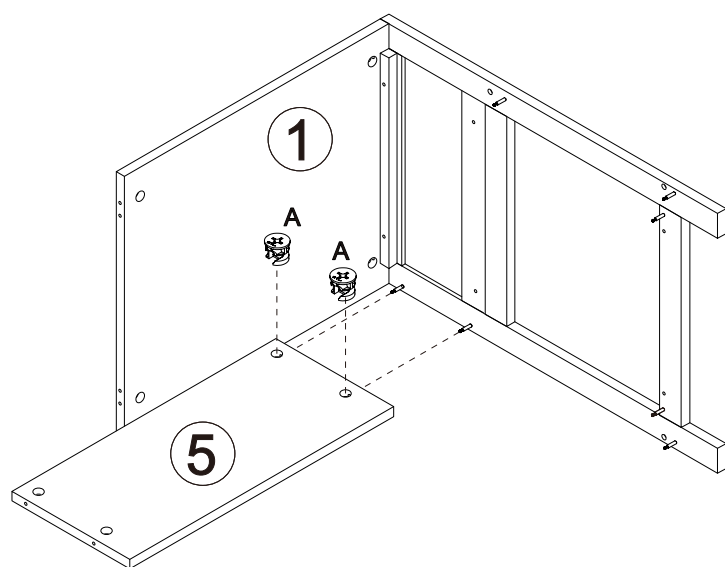
Step 3



Connect Part 1 to 3 with Hardware A/C

	Ax2
	Cx2

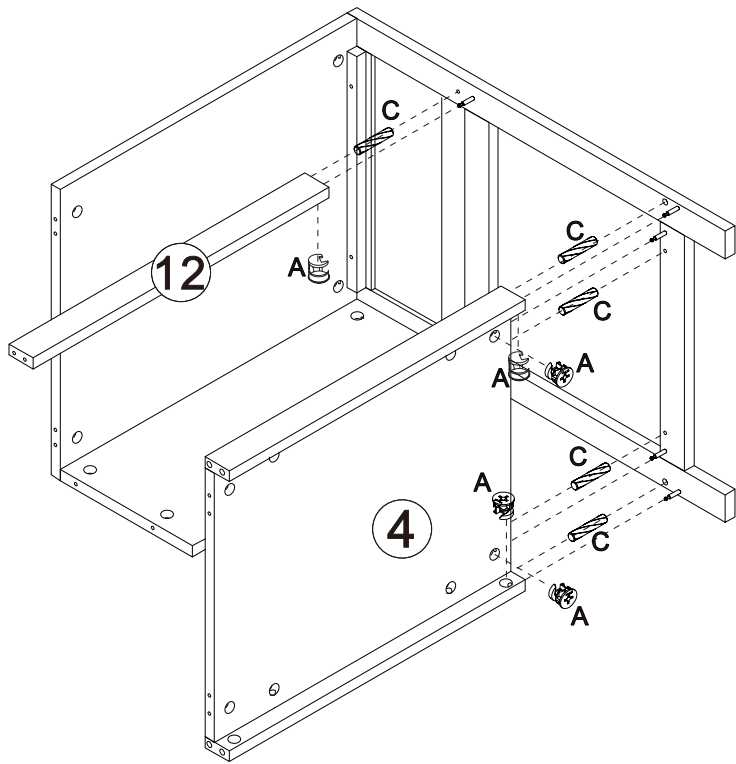
Step 4



Connect Part 5 to 3 with Hardware A

	Ax2
--	-----

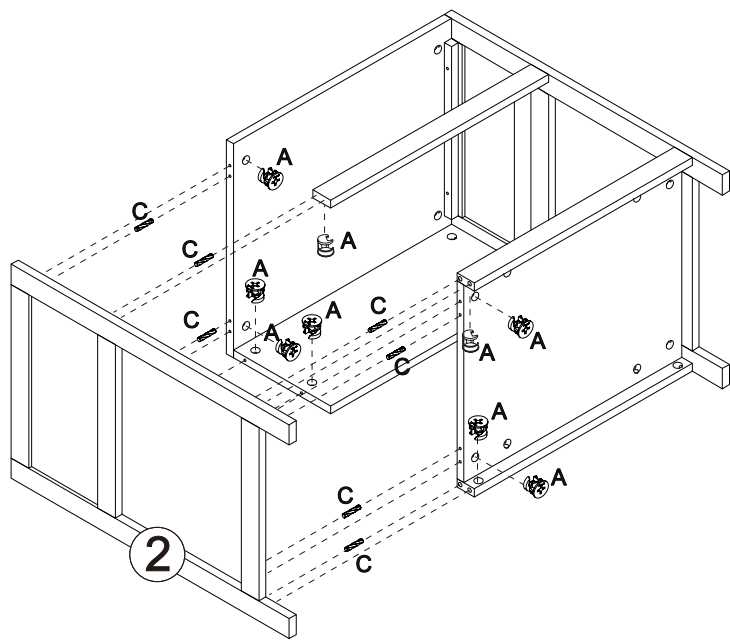
Step 5



Connect Part 12&4 to 3 with five pieces of Hardware A/C

- Ax5
- Cx5

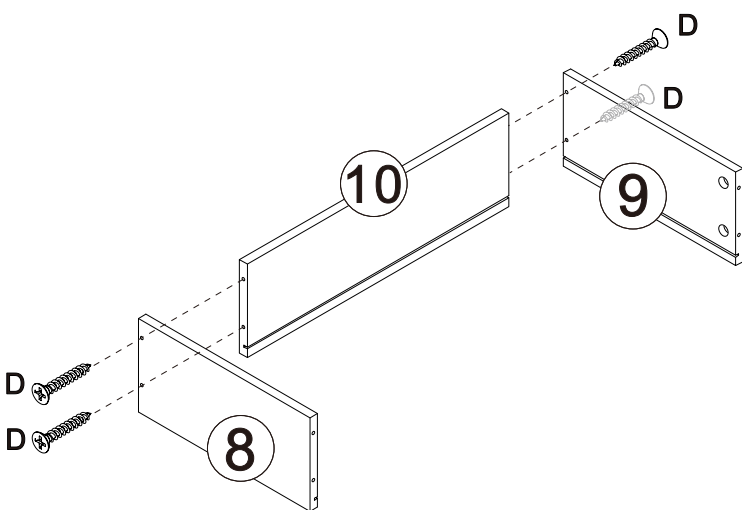
Step 6



Connect Part 2 to 1&5&12&4 with seven pieces of Hardware C and nine pieces of Hardware A

- Ax9
- Cx7

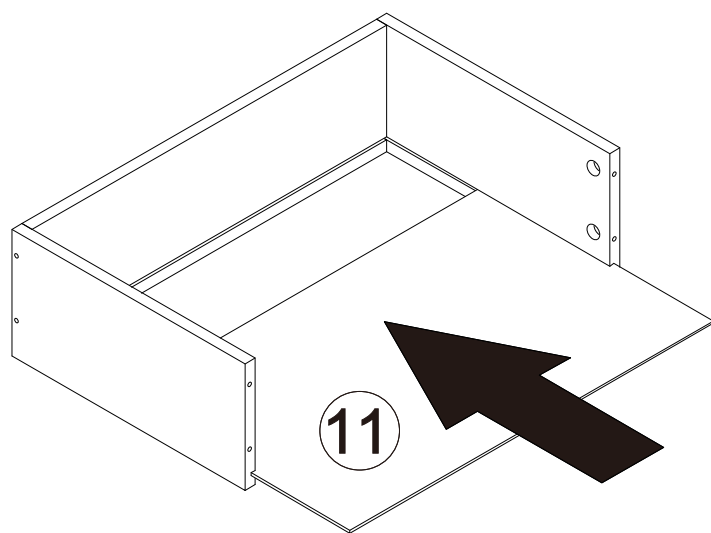
Step 7



Connect Part 10 to 8&9 with Hardware D

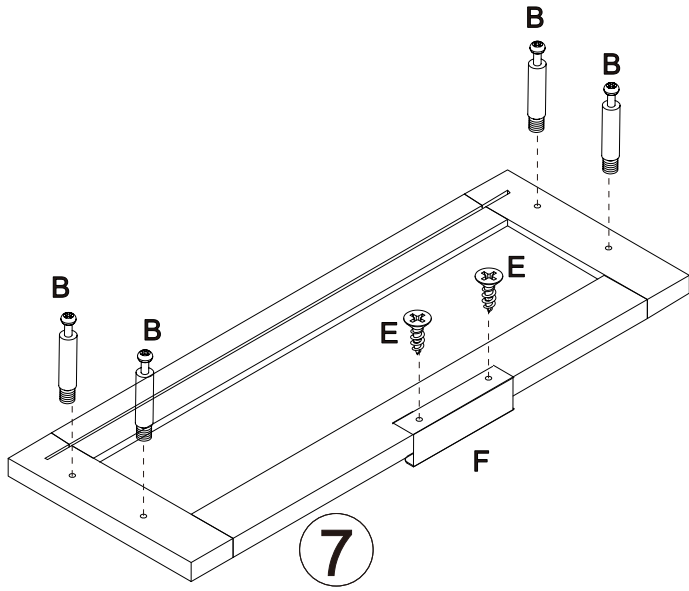
- Dx4

Step 8



Slide Part 11 along the slots of 8&9

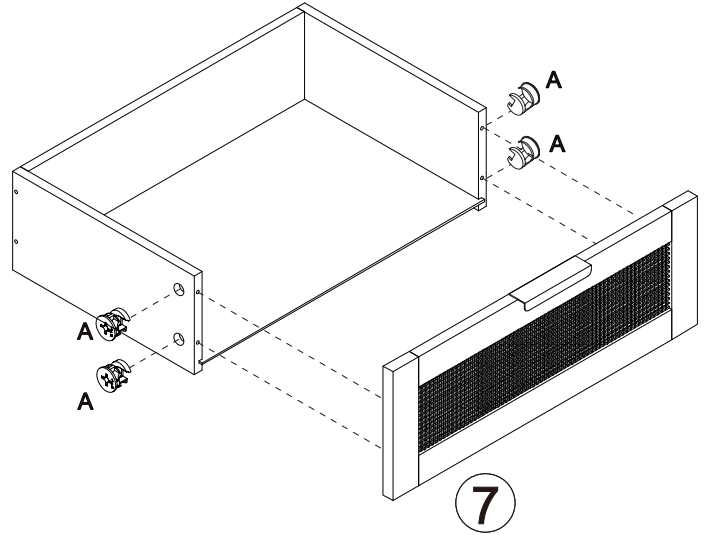
Step 9



Fix Hardware B to Part 7
Fix Hardware F to Part 7 with Hardware E

	Bx4
	Ex2
	Fx1

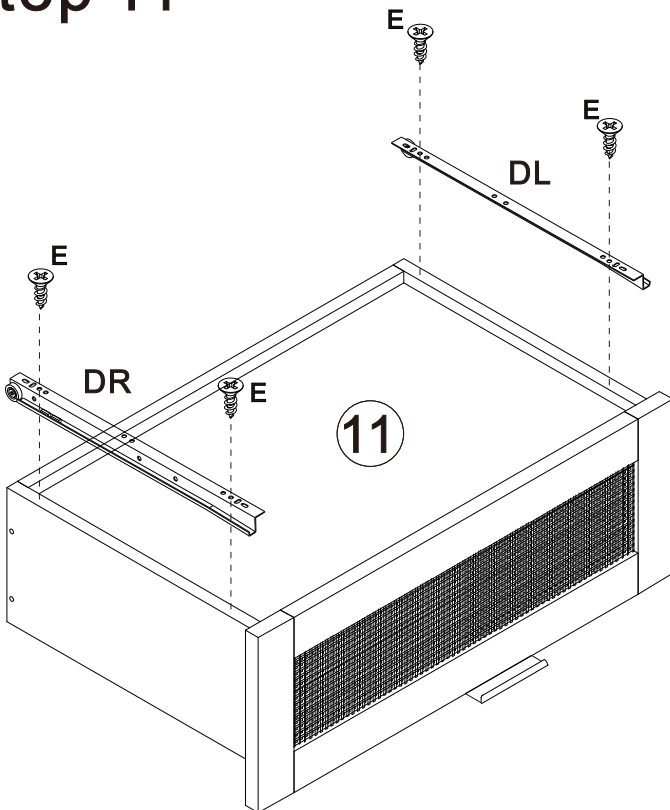
Step 10



Lock Part 7 to 8&9 with Hardware A

	Ax4
--	-----

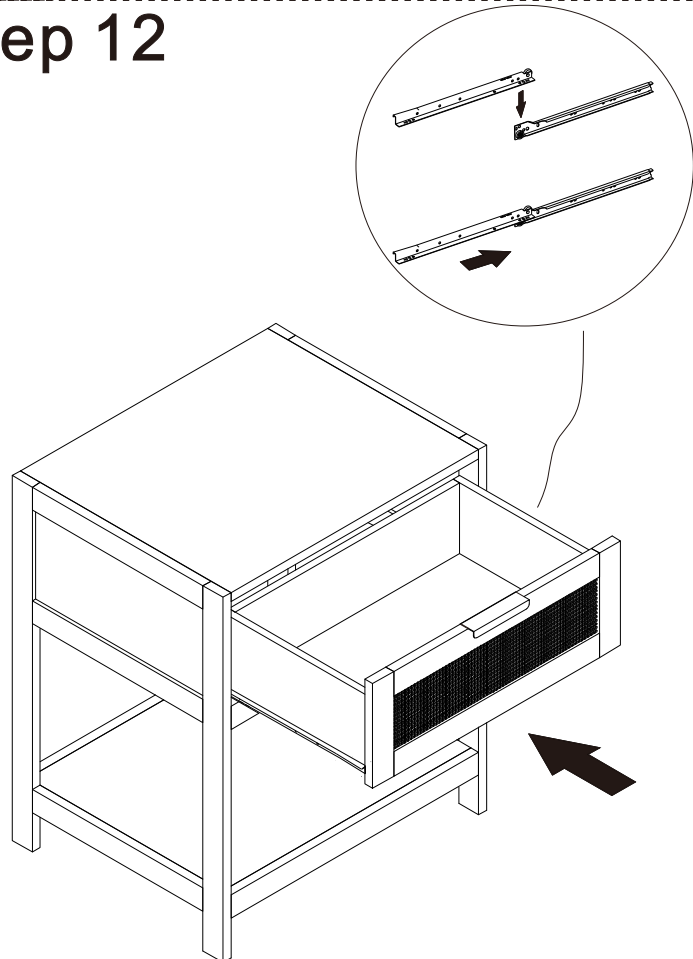
Step 11



Turn the drawer upside down
Fix Hardware DR to Part 9 with Hardware E
Fix Hardware DL to Part 8 with Hardware E

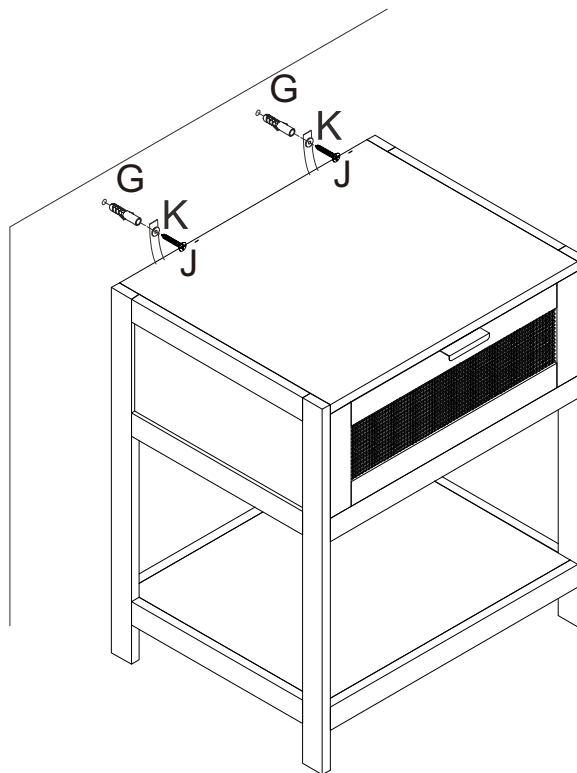
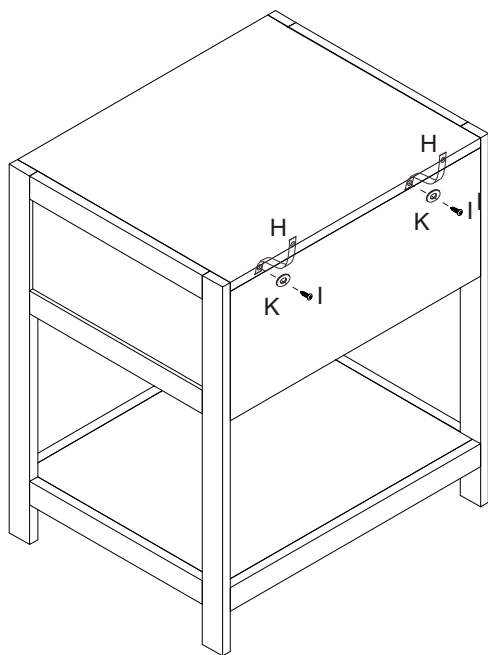
	Ex4
	DLx1
	DRx1

Step 12

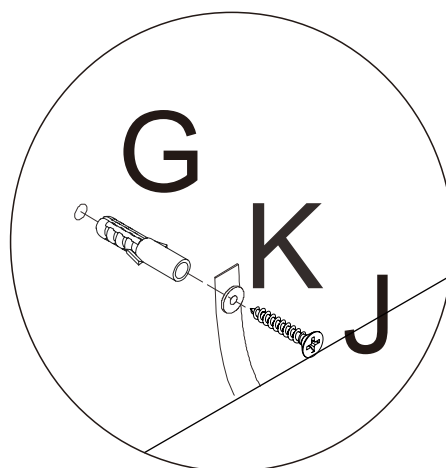
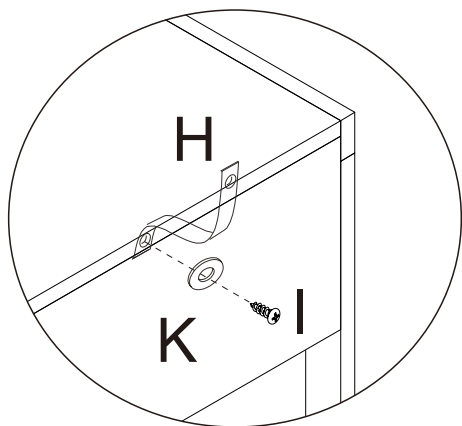


Push assembled drawer into cabinet
along the drawer track

Step 13



	Gx2
	Jx2
	Kx2



SAFETY NOTICE

PREVENT FURNITURE TIP OVER ACCIDENTS

Free Standing Furniture above 600mm in height must be securely attached to the wall to prevent it from tipping over and causing injury. Please Use the anti-tip restraint provided

One end of this restraint must be secured to the cabinet with the screw(s) provided in the fittings pack.

The other end of the restraint must be attached to the wall with hardware appropriate for that wall type.

Never put a TV or other heavy objects on top of a chest of drawers or any furniture not intended for use with a TV.

Place heavy objects in the lowest drawers or shelves

Never let children climb or hang on drawers, doors or shelves