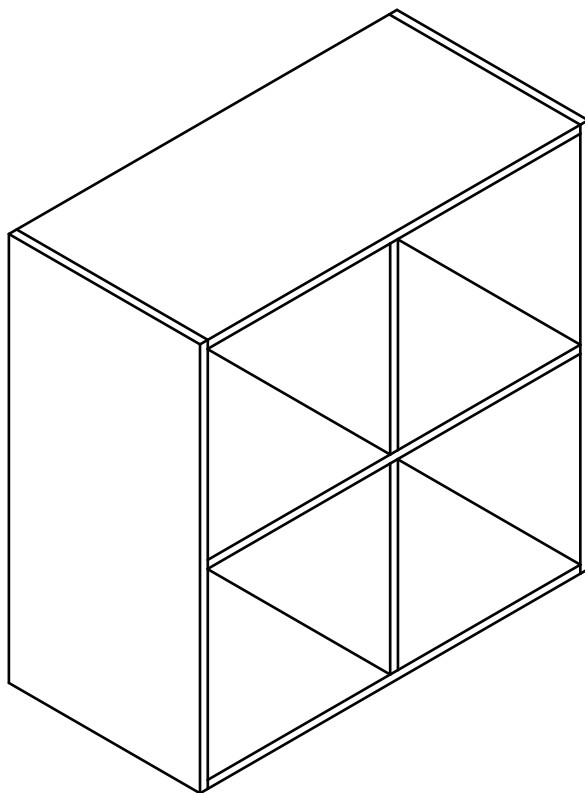


Instruction Manual

4 CUBE BOOKSHELF



⚠️ SAFETY AND CARE ADVICE ⚠️

PLEASE READ THESE INSTRUCTIONS CAREFULLY AND KEEP FOR FUTURE REFERENCE

Warning: Please lift with care.

- Check you have all the components and tools listed on pages 2 and 3.
- Remove all fittings from the plastic bags and separate them into their groups.
- Keep children and animals away from the work area, small parts could choke if swallowed.
- Make sure you have enough space to layout the parts before starting.
- Do not stand or put weight on the product, this could cause damage.
- Assemble the item as close to its final position (in the same room) as possible.
- Assemble on a soft level surface to avoid damaging the unit or your floor (use opened out unit carton).



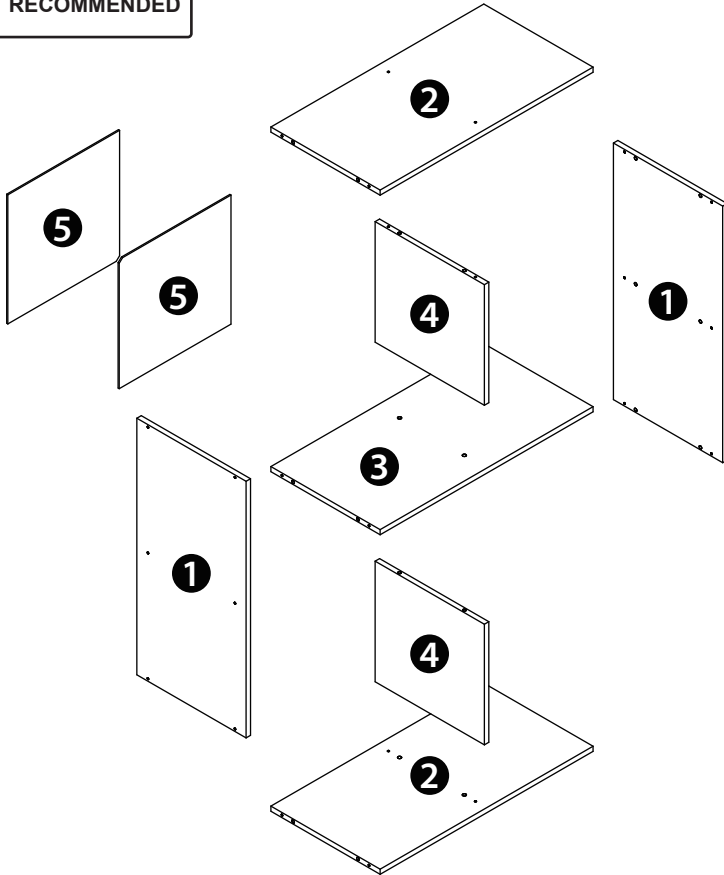
- We do not recommend the use of power drill/drivers **for inserting screws**, as this could damage the unit. Only use hand screwdrivers.
- Safety note:** If there is any chance of this unit being pulled over by children etc. it is recommended that the unit is secured to a wall using suitable fixings (not supplied).
- Dispose of all packaging carefully and responsibly.

CARE AND MAINTENANCE

- Only clean using a damp cloth and mild detergent, do no use bleach or abrasive cleaners.
 - From time to time check that there are no loose screws on this unit.
 - This product should not be discarded with household waste. Take to your local authority waste disposal center.
- Note:** *If required the next page can be cut out and used as reference throughout the assembly. Keep this page with these instructions for future reference*

COMPONENTS — PANELS

Please check you have all the panels listed below:



PANEL LIST

1	Left/Right Side Panel	x2	4	Vertical Panel	x2
2	Top/Bottom Panel	x2	5	Back Panel	x2
3	Shelf Panel	x1			



COMPONENTS — FITTINGS

Please check you have all the fittings listed below:



Screw x 16



Screw x 1



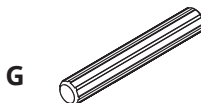
Hole cover x 16



Screw x 2



Wooden Dowel x 16



Wooden Dowel x 2



Safety Device x 1



Screw x 16

TOOLS NEEDED
(We don't provide)



Phillips Screwdriver x 1






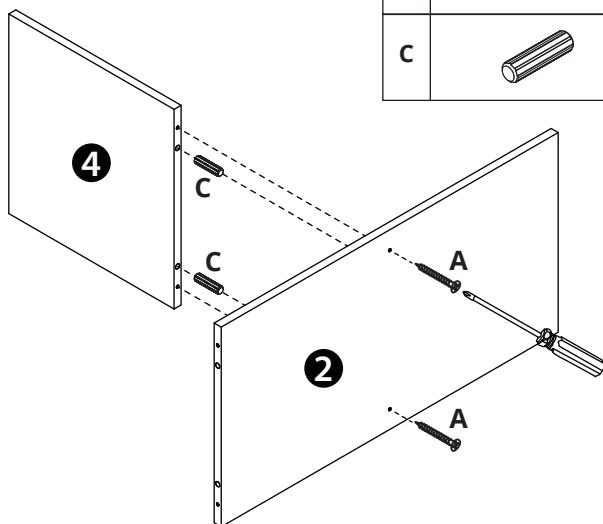
Hammer x 1



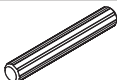
ASSEMBLY INSTRUCTIONS

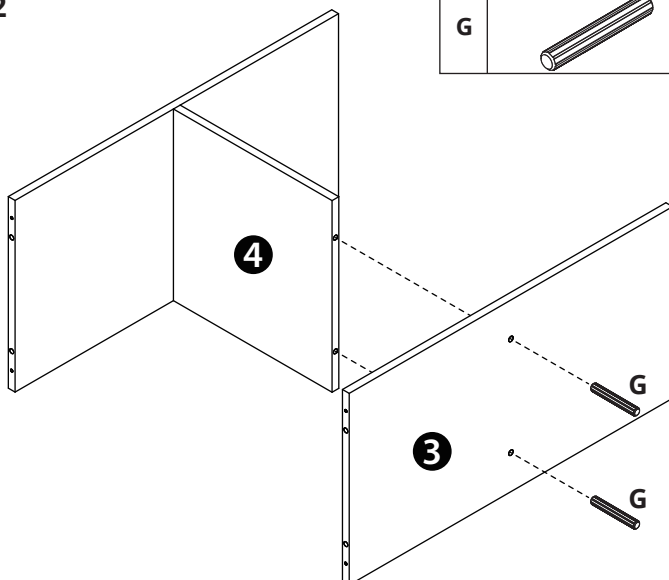
Step 1

A		2	
C		2	



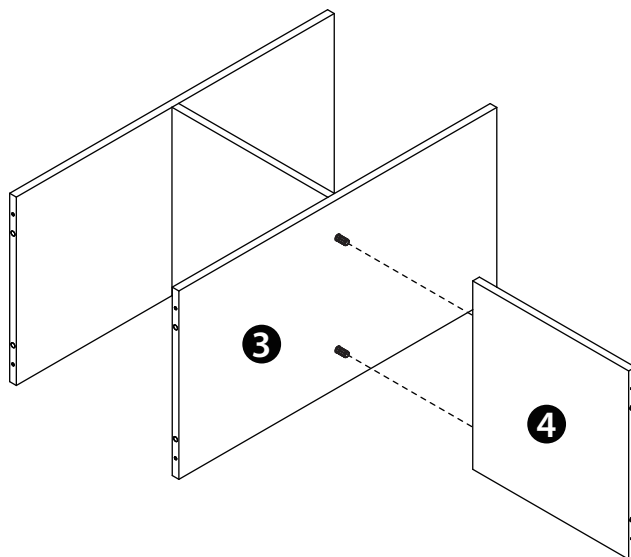
Step 2

G		2	
---	---	---	--

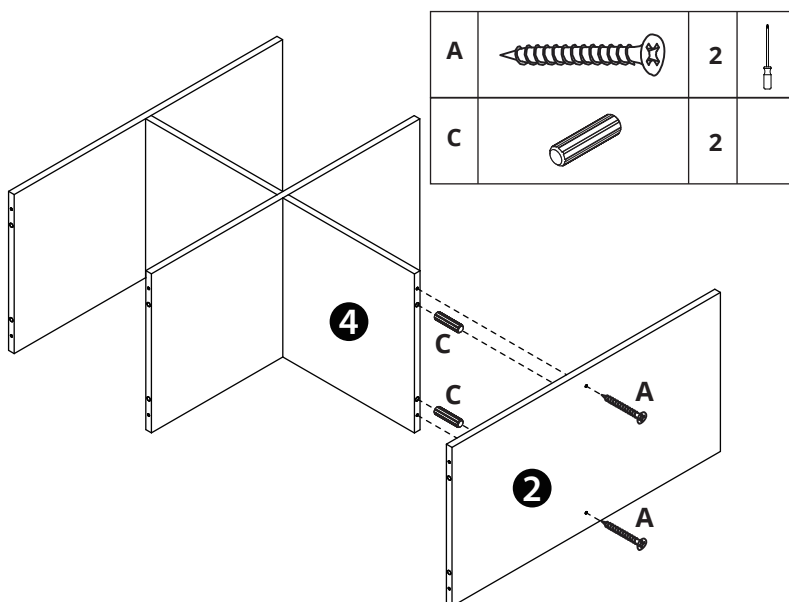


ASSEMBLY INSTRUCTIONS

Step 3






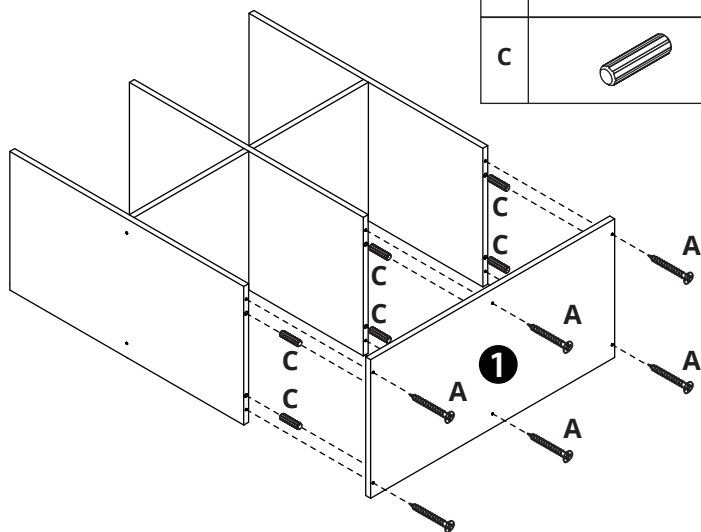
Step 4






ASSEMBLY INSTRUCTIONS

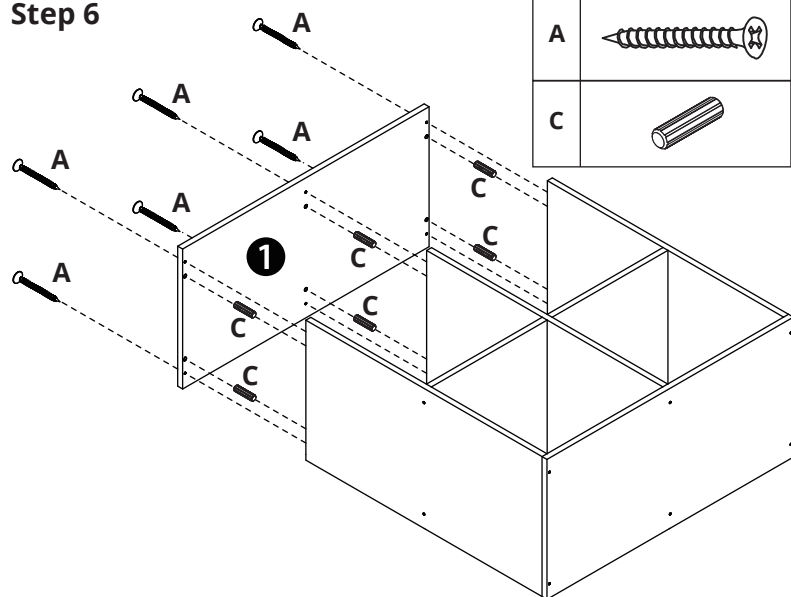
Step 5

A		6	
C		6	



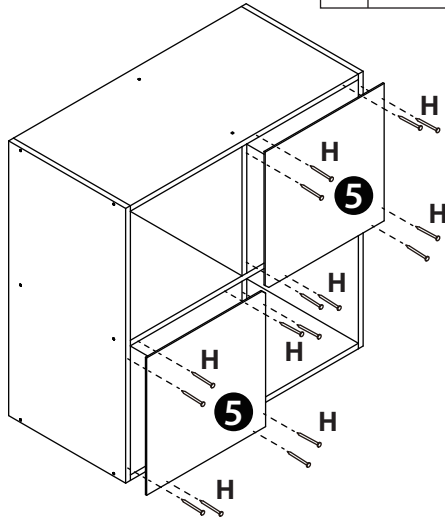
Step 6

A		6	
C		6	

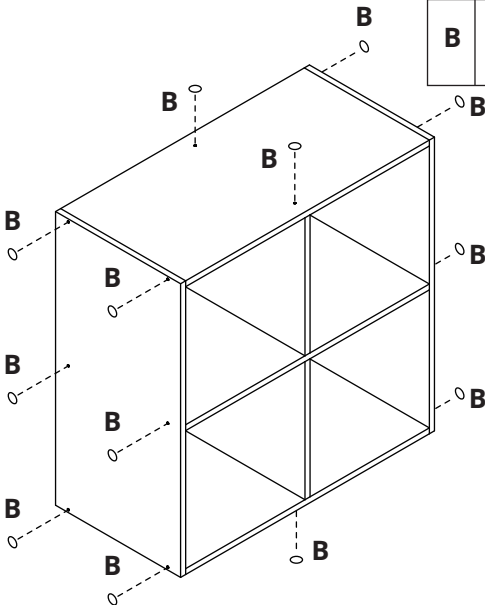
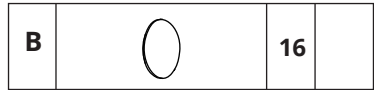


ASSEMBLY INSTRUCTIONS

Step 7

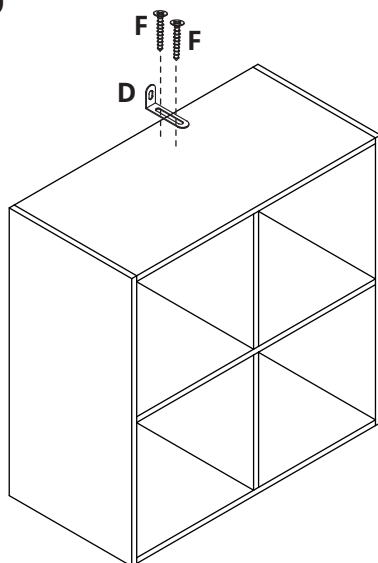





Step 8



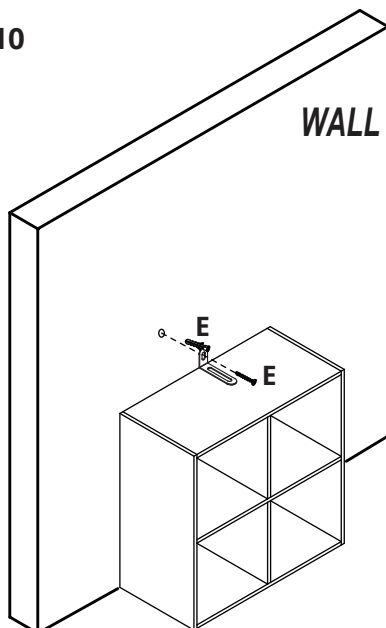
ASSEMBLY INSTRUCTIONS


Step 9



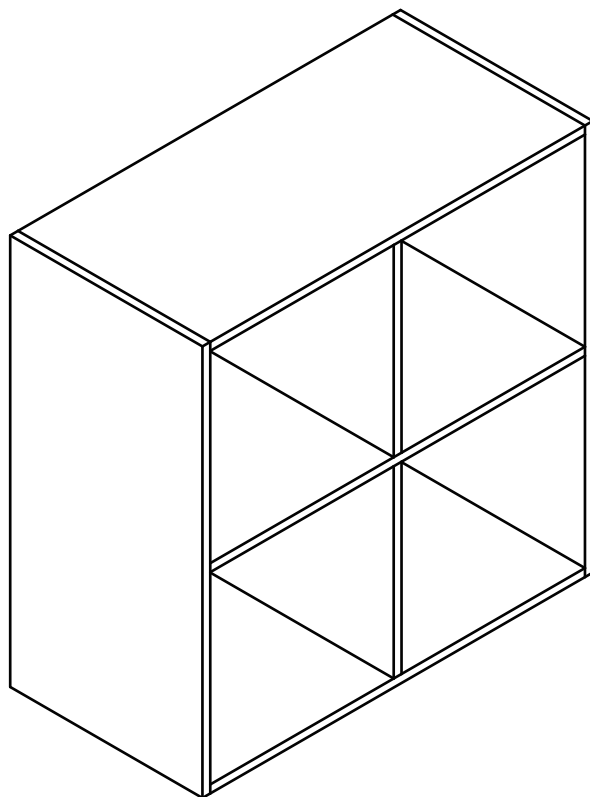
F		2	
D		1	

Step 10



E		1	
---	---	---	--

ASSEMBLY INSTRUCTIONS



Congratulations! Now you have finished assembling the product.