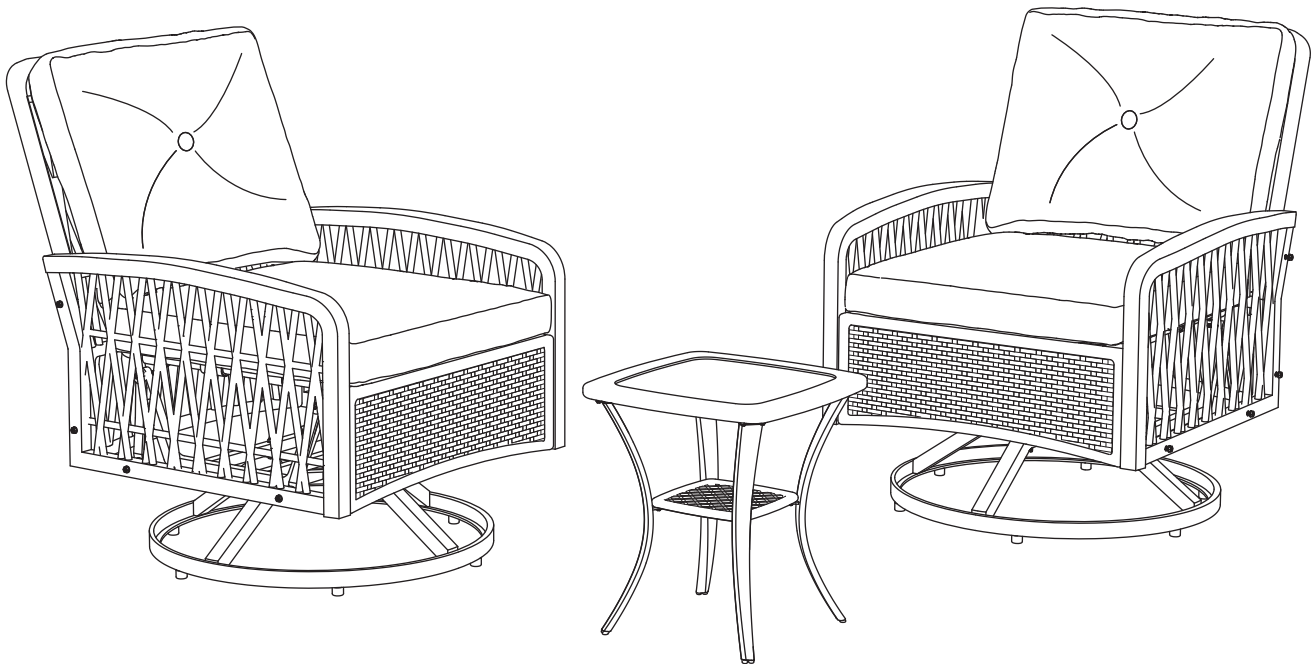


3 PIECE PATIO FURNITURE SET

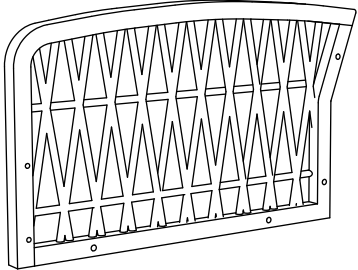
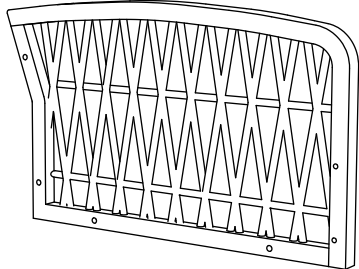
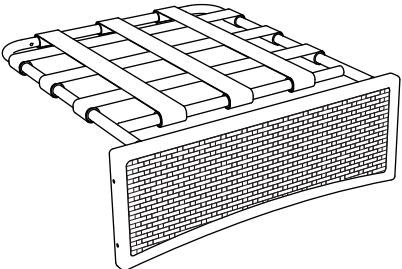
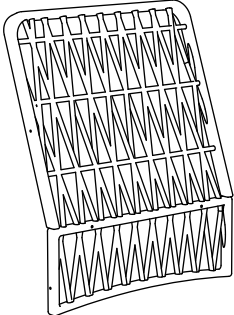
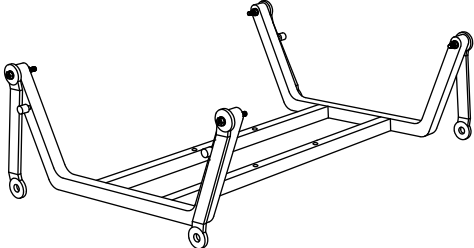
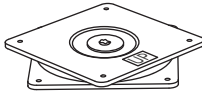
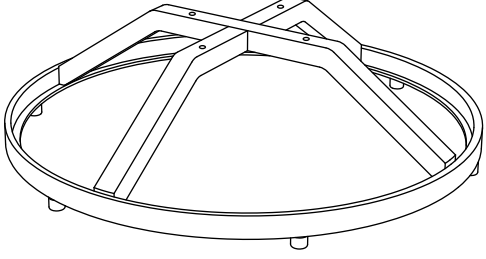
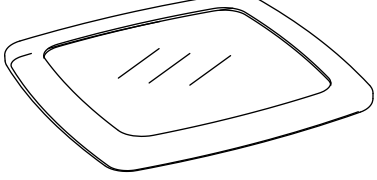

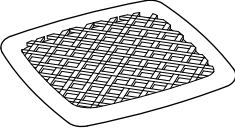
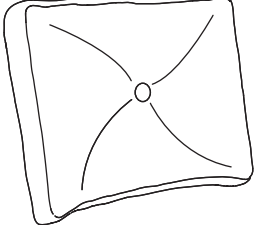
ORIGINAL INSTRUCTION MANUAL

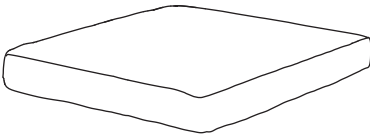
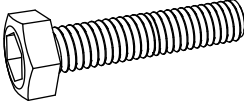
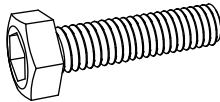
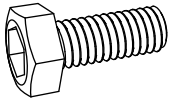

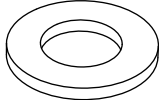

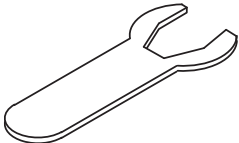


DEAR CUSTOMER,

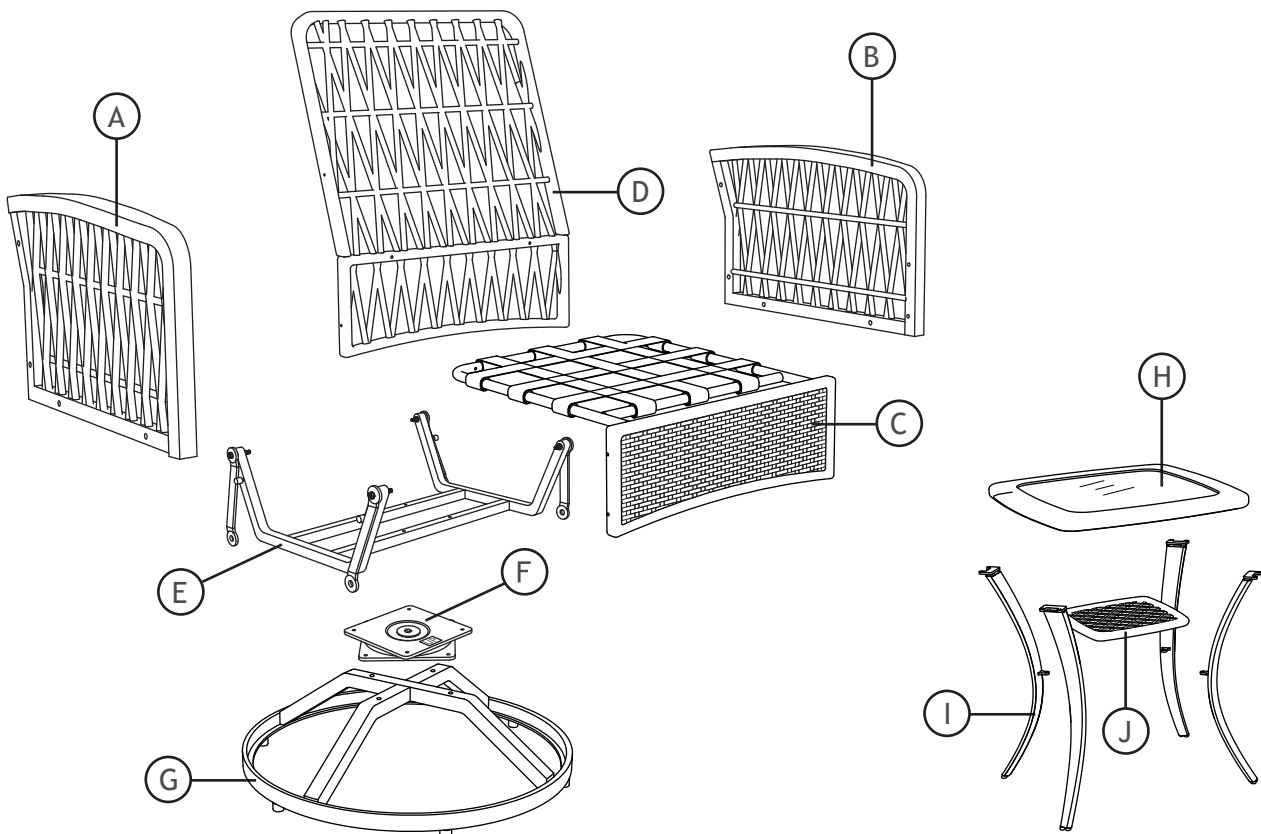
Thank you for choosing our product. Please read this manual carefully before assembling or using the product, to avoid damage caused by improper use. If the product is passed on to third parties, this manual has to be passed on along with the product. For any question don't hesitate to contact us.

PARTS LIST

A  2×	B  2×	
C  2×	D  2×	
E  2×	F  2×	
G  2×	H  1×	
I  4×	J  1×	K  2×

<p>L</p> <p>2×</p> 	<p>M</p> <p>28×</p>  <p>M6×40MM</p>	<p>N</p> <p>16×</p>  <p>M6×35MM</p>
<p>O</p> <p>12×</p>  <p>M6×15MM</p>	<p>P</p> <p>24×</p> 	<p>Q</p> <p>80×</p> 
<p>R</p> <p>1×</p>  <p>Spanner</p>	<p>S</p> <p>1×</p>  <p>Spanner</p>	

Exploded View



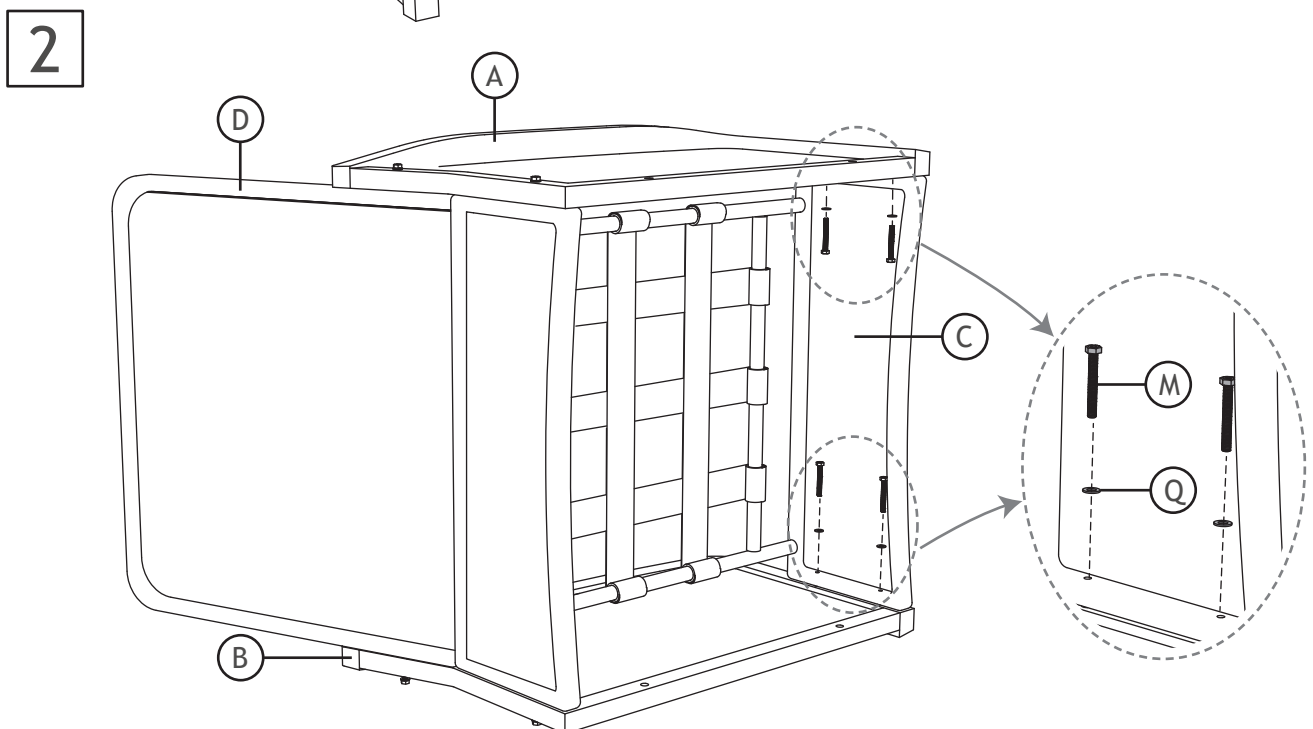
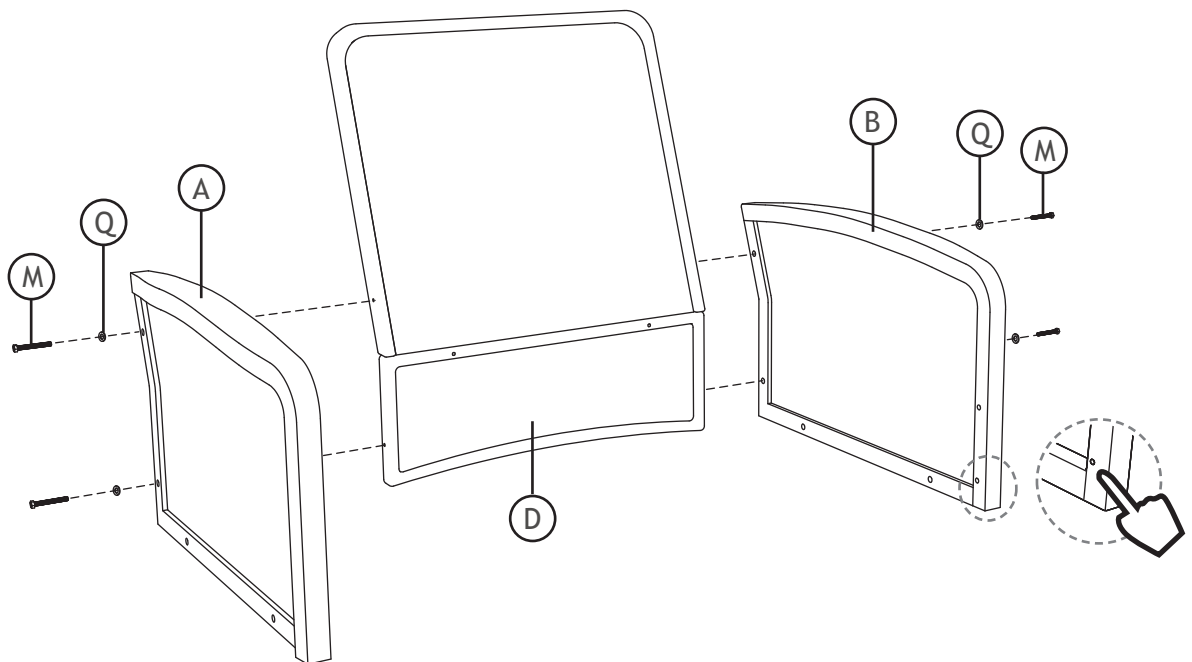
ASSEMBLY

Before your installation, please make sure that you have all the parts listed on the manual. If you find that something is missing, please stop installing and contact our customer service immediately. We will solve your issue as soon as possible.

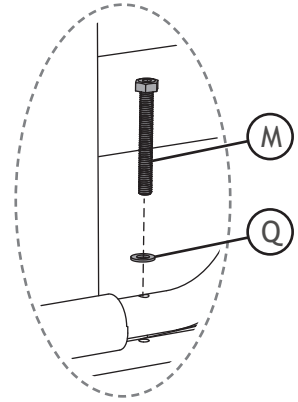
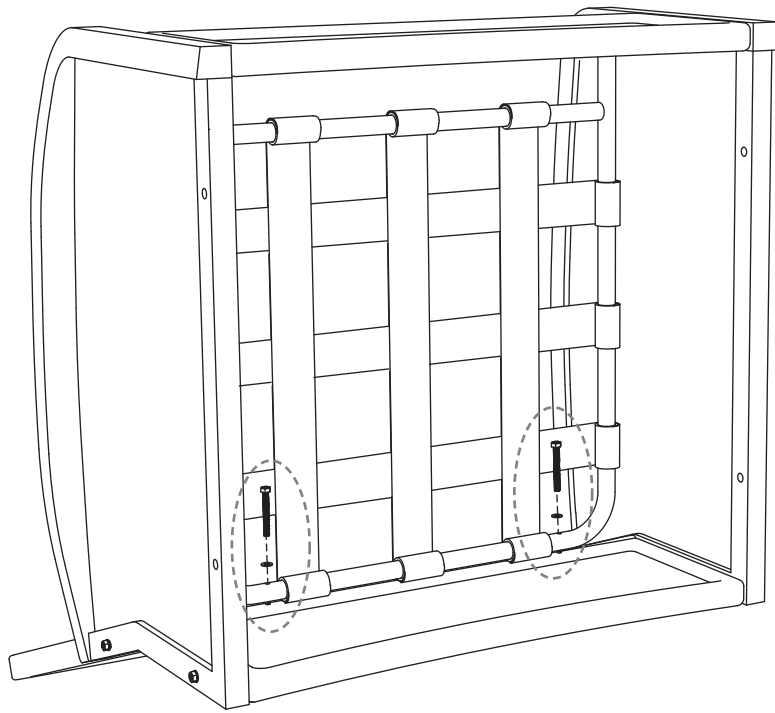
NOTE:

- Please do not completely tighten all the hardwares until the entire assembly is completed!
- In order to let you clearly see the position of the screw holes, we omitted the rattan pattern in the parts on the installation step.

1 Installation Steps of Swivel Rocking Chair



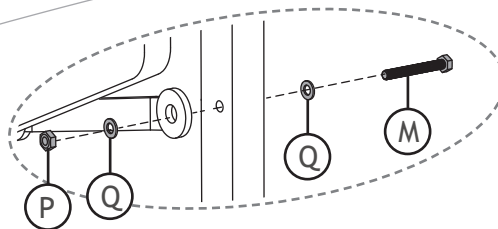
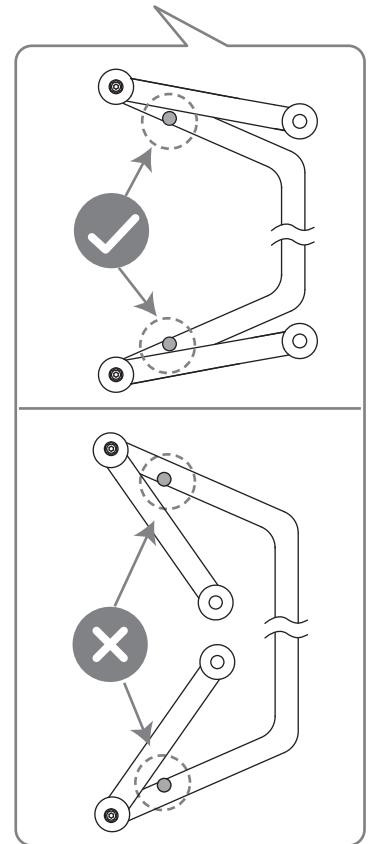
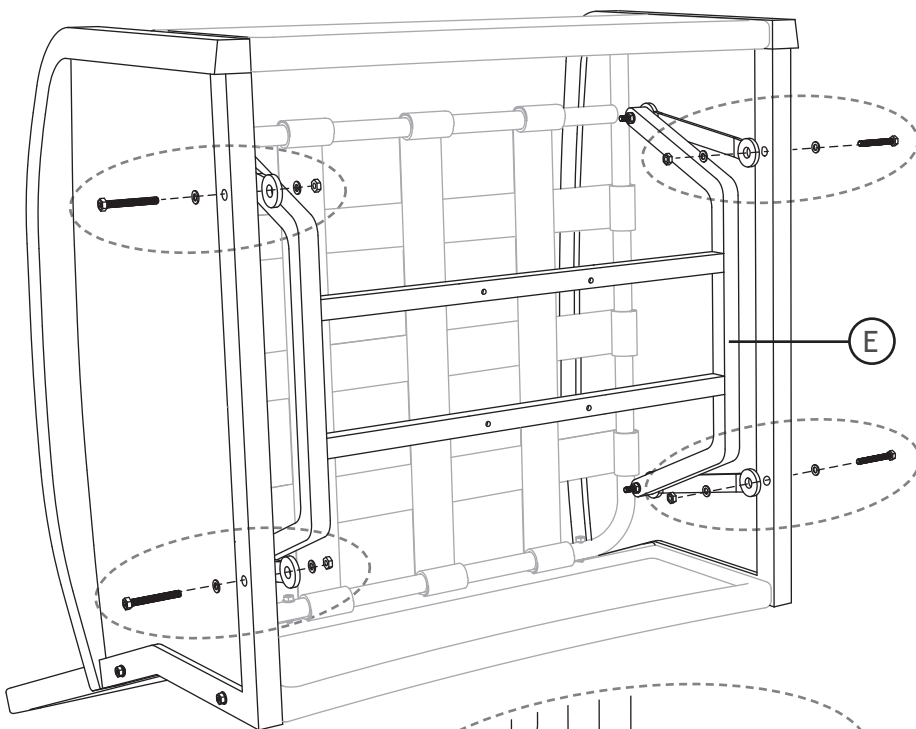
3



4

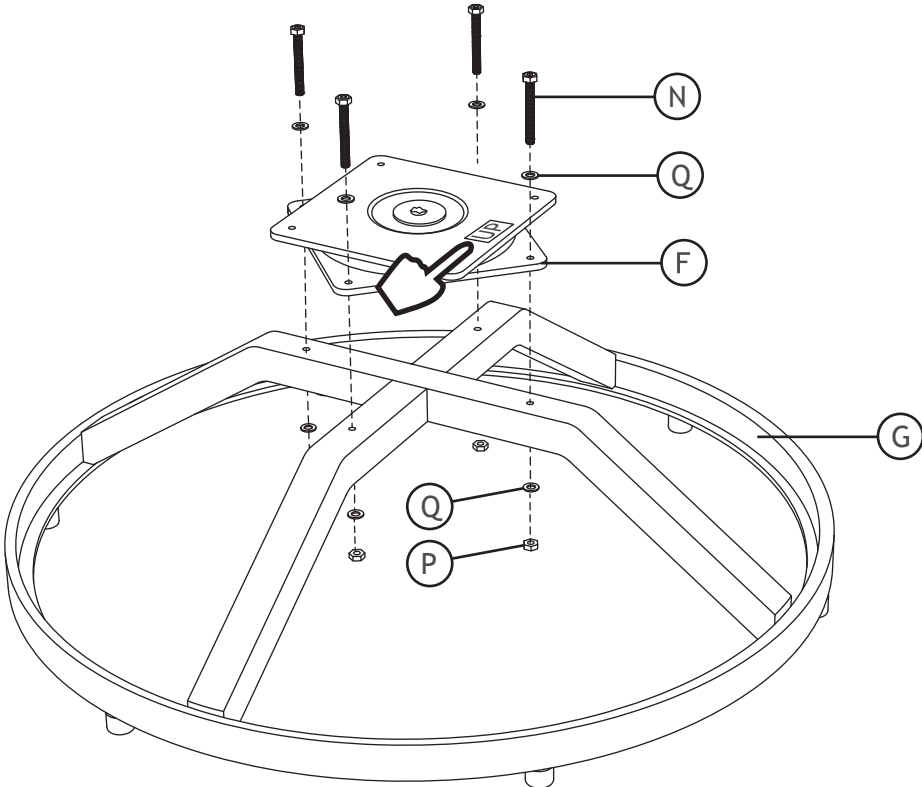


Please make sure that the placement of the part E is exactly the same as the picture (Two swing arms are outside the black plastic part), and then proceed to next step of installation.

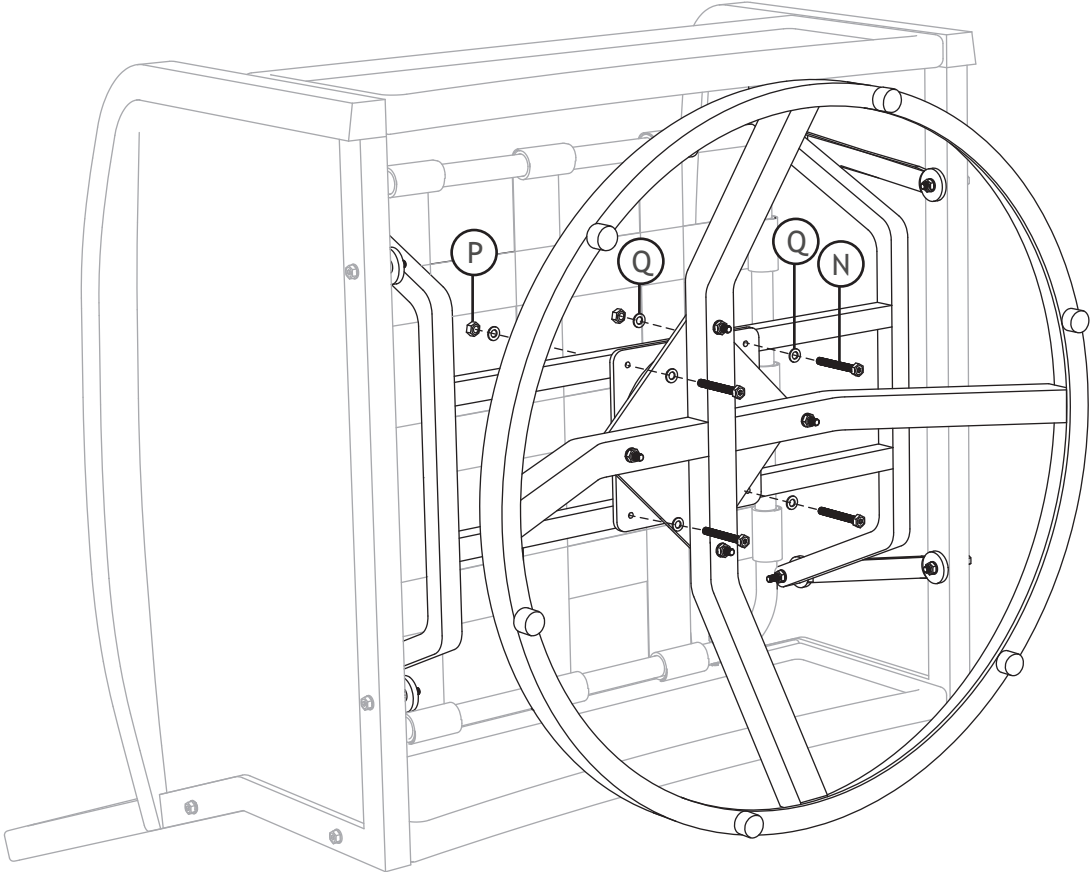


5

Please note that the label "UP" is installed facing up

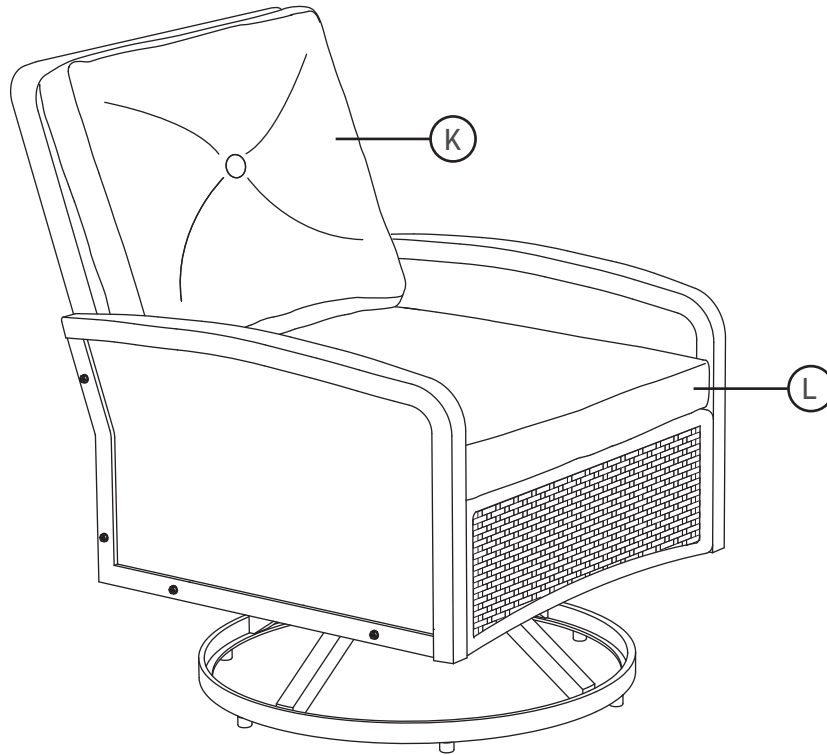


6



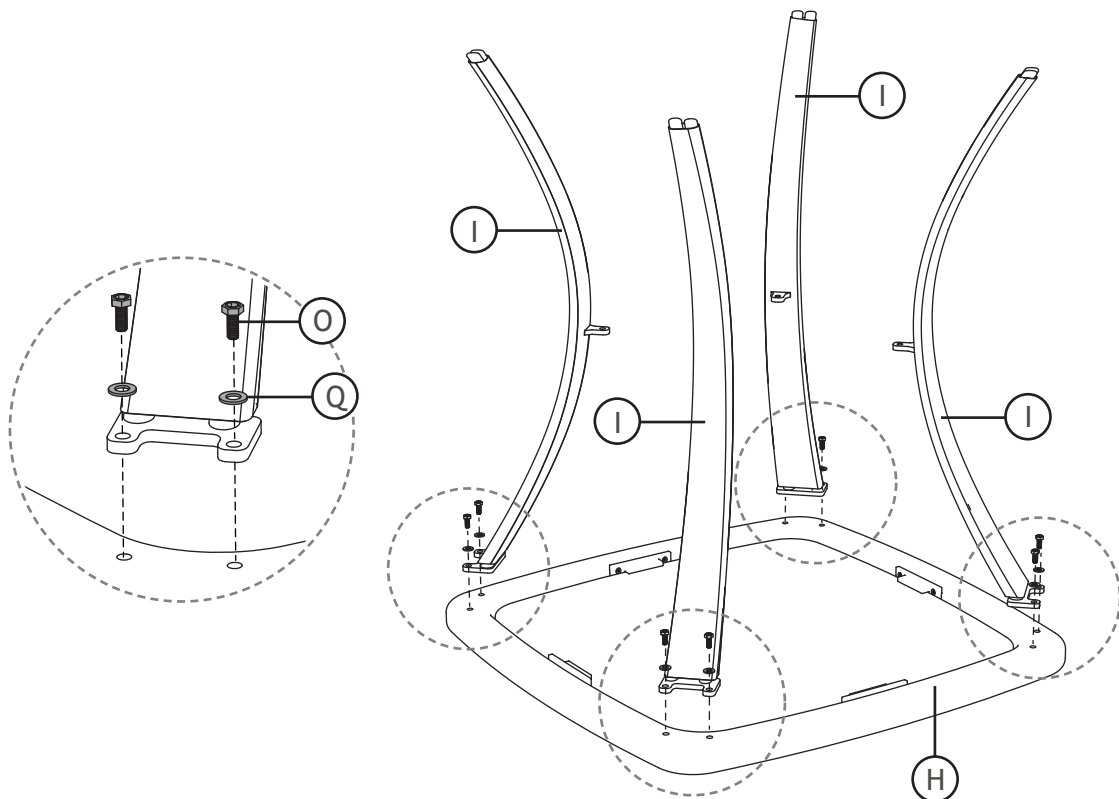
7

The adjustable feet could adjust balance

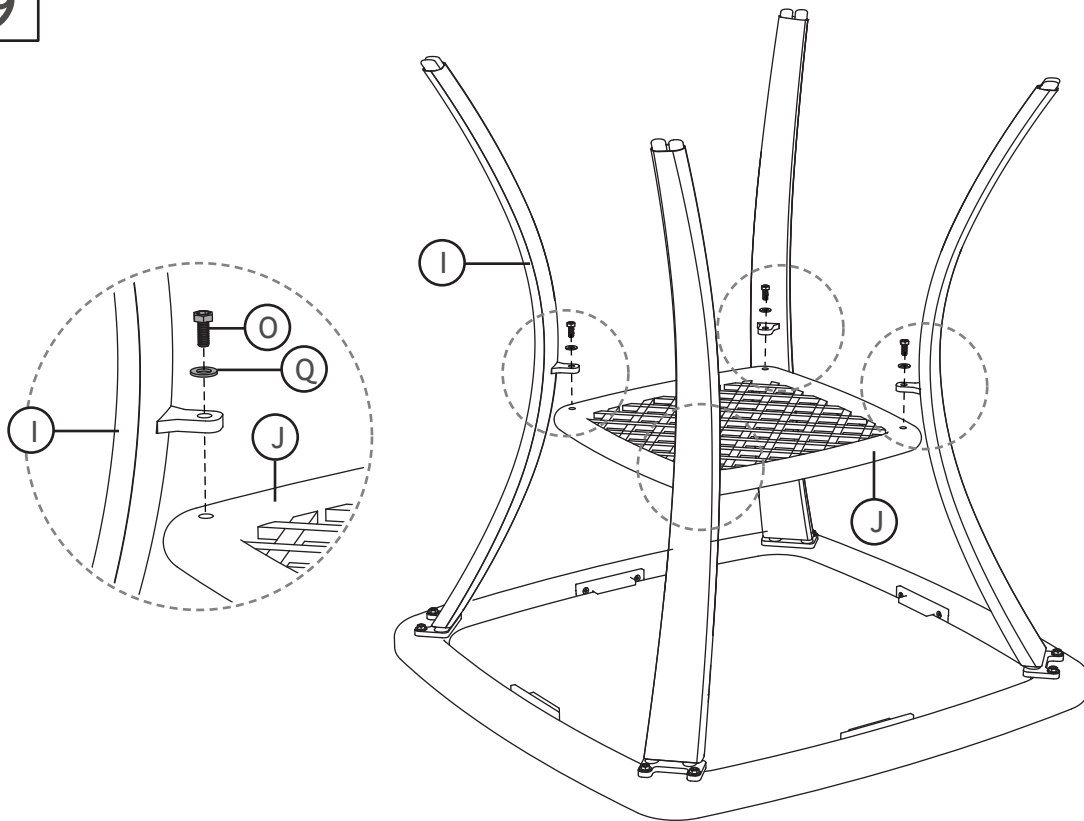


8

Installation Steps of Coffee Table



9



Made in china

8