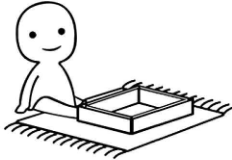


# ASSEMBLY INSTRUCTIONS



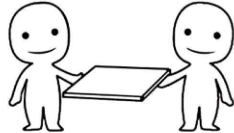
## IMPORTANT INFORMATION!

please read the entire manual before starting to assemble and/or using this product. follow the manual thoroughly and keep it for further reference.



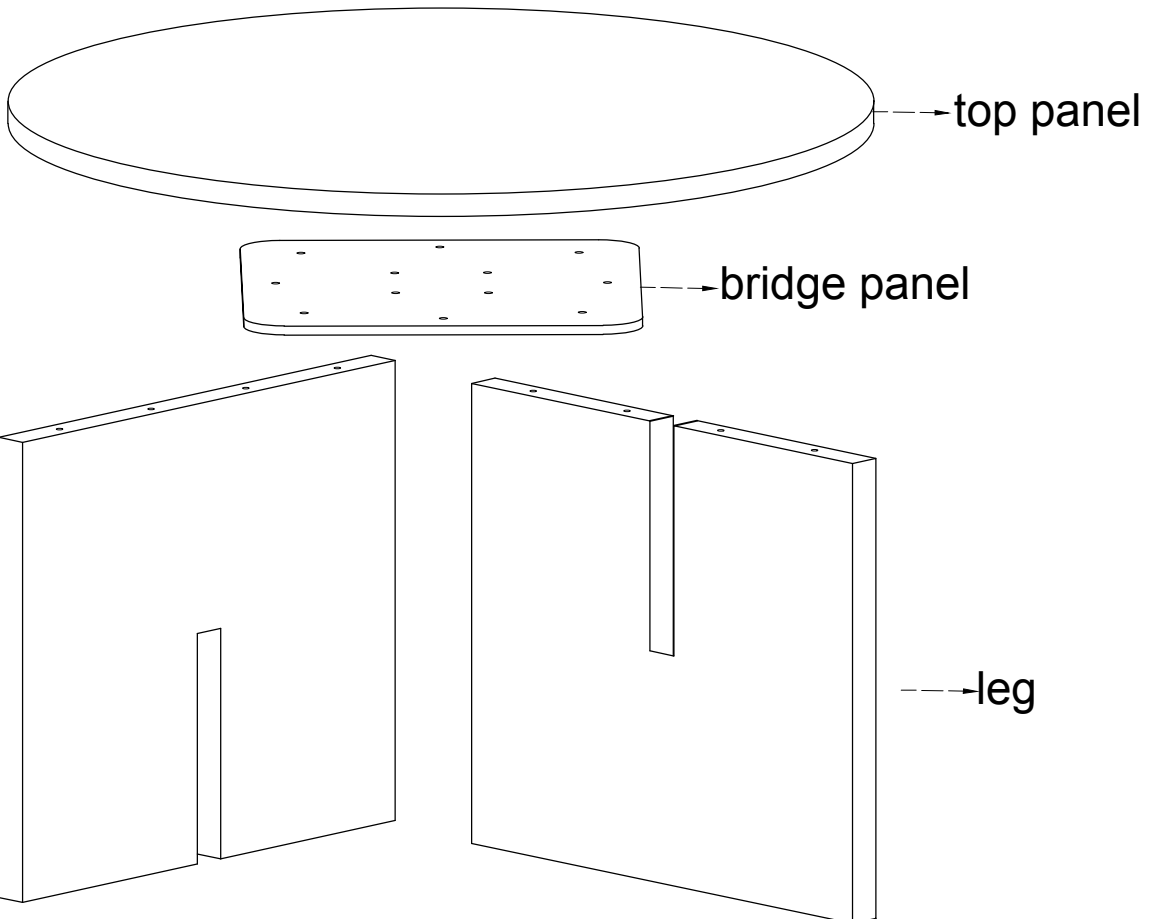
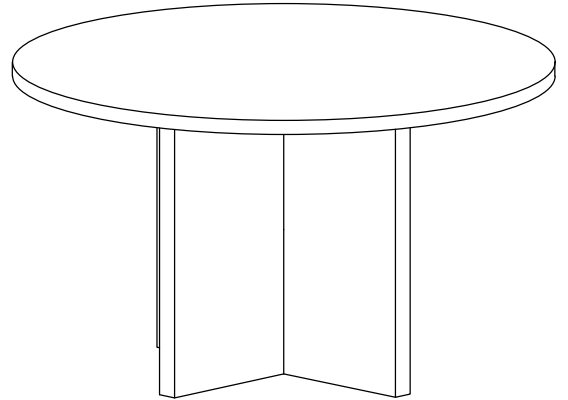
## AVOID SCRATCHES!

In order to avoid scratching this furniture should be assembled on a soft layer—could be a rug.

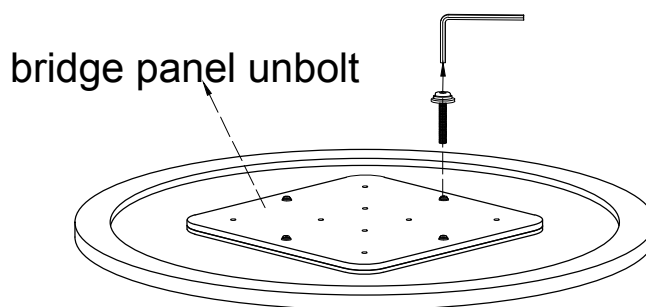


## IMPROVE EFFICIENCY!




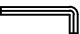
Try to find a partner to install with you, which can speed up the installation efficiency and shorten the time.



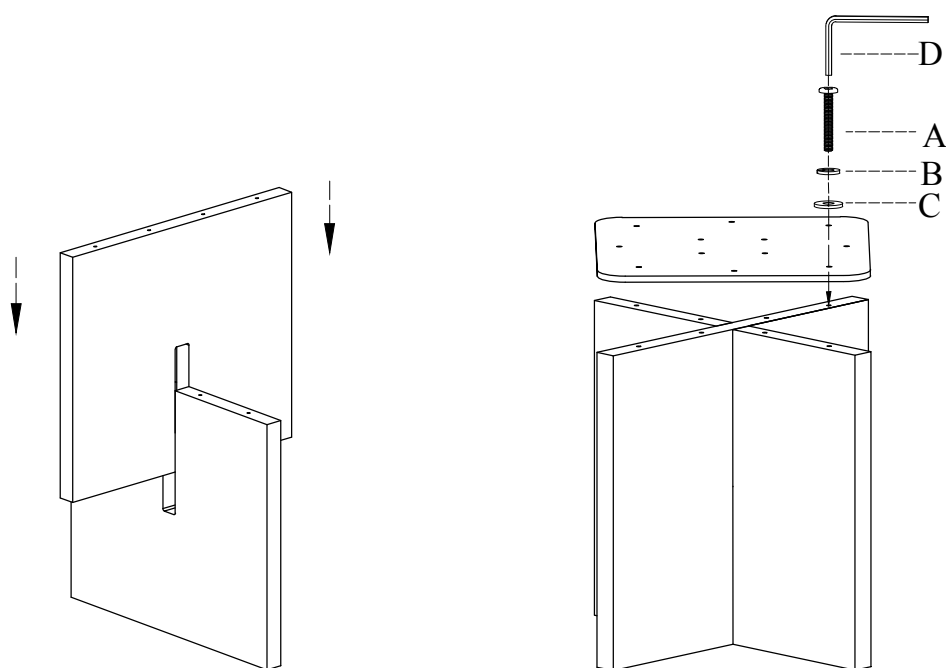
## Step 1



### HARDWARE LIST

A		Long Bolt (Ø5/16"*1-1/4")	8pcs
B		Lock Washer (Ø5/16")	8pcs
C		Flat Washer (Ø5/16"*Ø3/4")	8pcs
D		Allen Wrench (5mm)	1pc

## Step 2



## Step 3

