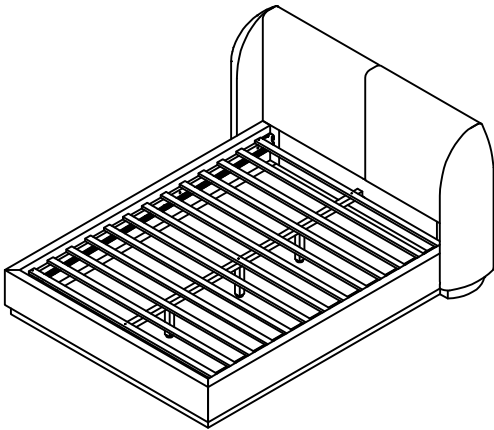


ASSEMBLY INSTRUCTIONS

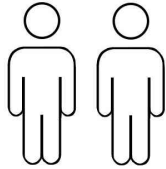
QUEEN



+ Do Not Use Power Tools



+ Suggested Adults



NOTE:

- 1 Read instructions cover to cover.
- 2 Save all packaging until assembly is completed.

1 IMPORTANT SAFETY INFORMATION

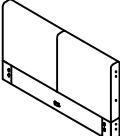
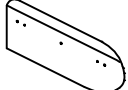
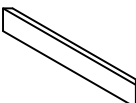


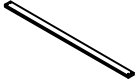


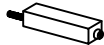

Do not assemble the product if any of the following parts arrived damaged:

- Part 4 - Side Rails
- Part 8 - Center Support Bar
- Part 9 - Support Legs
- Part 10 - Slats







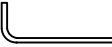
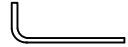
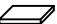

2 IMPORTANT ASSEMBLY INFORMATION

Assembly Step Ensure the side rail bracket is fully hooked onto bolt loosely threaded with both washers on the OUTSIDE of the bracket first, then proceed to fully tightening all 4 corners.

+ Parts Included

- | | |
|--|---|
| <p>1 HEADBOARD
(1 PC)</p>  | <p>2 HEADBOARD WING
(2 PCS)</p>  |
| <p>3 FOOTBOARD
(1 PC)</p>  | <p>4 SIDE RAILS
(2 PCS)</p>  |
| <p>5 HEADBOARD LEG
(2 PCS)</p>  | <p>6 FOOTBOARD WOOD
(1 PC)</p>  |
| <p>7 SIDE RAILS WOOD
(2 PCS)</p>  | <p>8 CENTER SUPPORT BAR
(1 PC)</p>  |
| <p>9 SUPPORT LEGS
(3 PCS)</p>  | <p>10 SLATS
(1 SET)</p>  |

+ Hardware Included

- | | | |
|---|--|--|
| <p>A M6 x 40mm
(6 PCS)</p>  | <p>B M6
(6 PCS)</p>  | <p>C M8 x 30mm
(17 PCS)</p>  |
| <p>D M4 x 20mm
(2 PCS)</p>  | <p>E M6 x 60mm
(20 PCS)</p>  | <p>F M4 x 38mm
(9 PCS)</p>  |
| <p>G M4
(1 PC)</p>  | <p>H M5
(1 PC)</p>  | <p>I Protective Disc
(15 PCS)</p>  |
| <p>J M8 x 30mm
(4 PCS)</p>  | | |

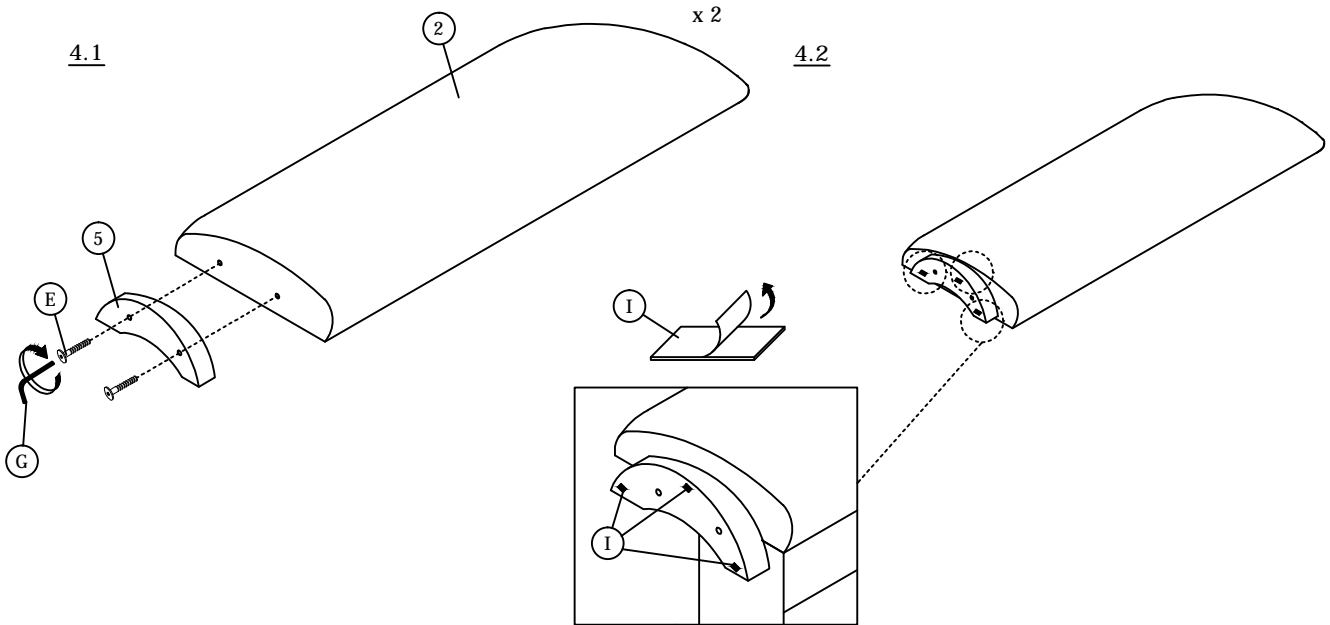
ASSEMBLY INSTRUCTIONS

QUEEN

4

4.1

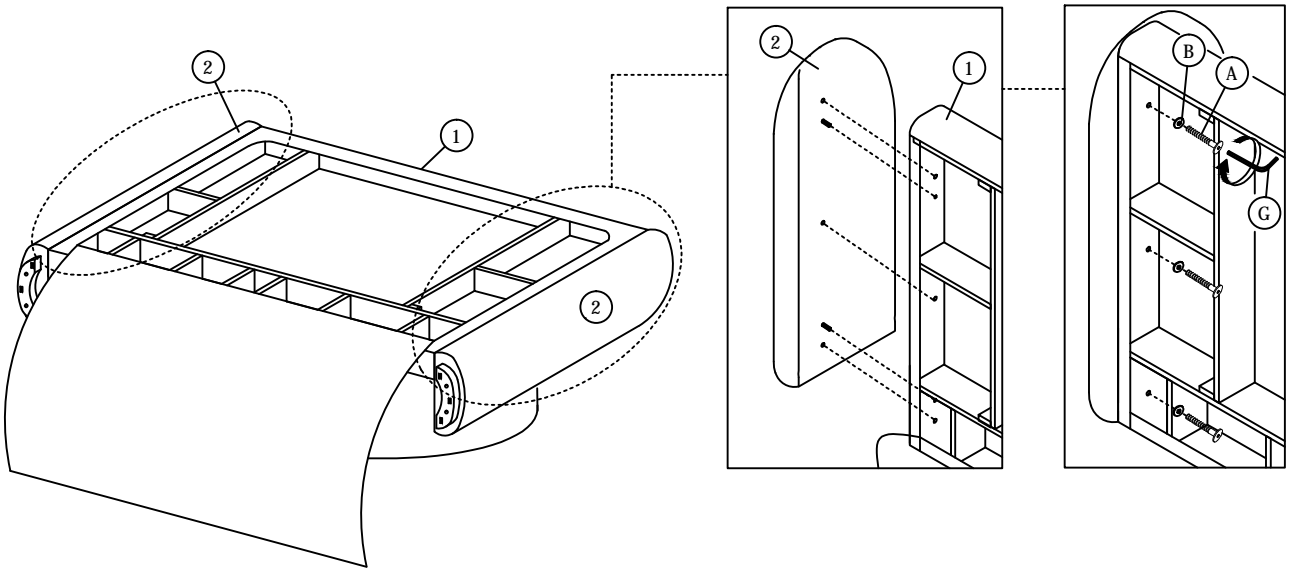
4.2



5

5.1

5.2



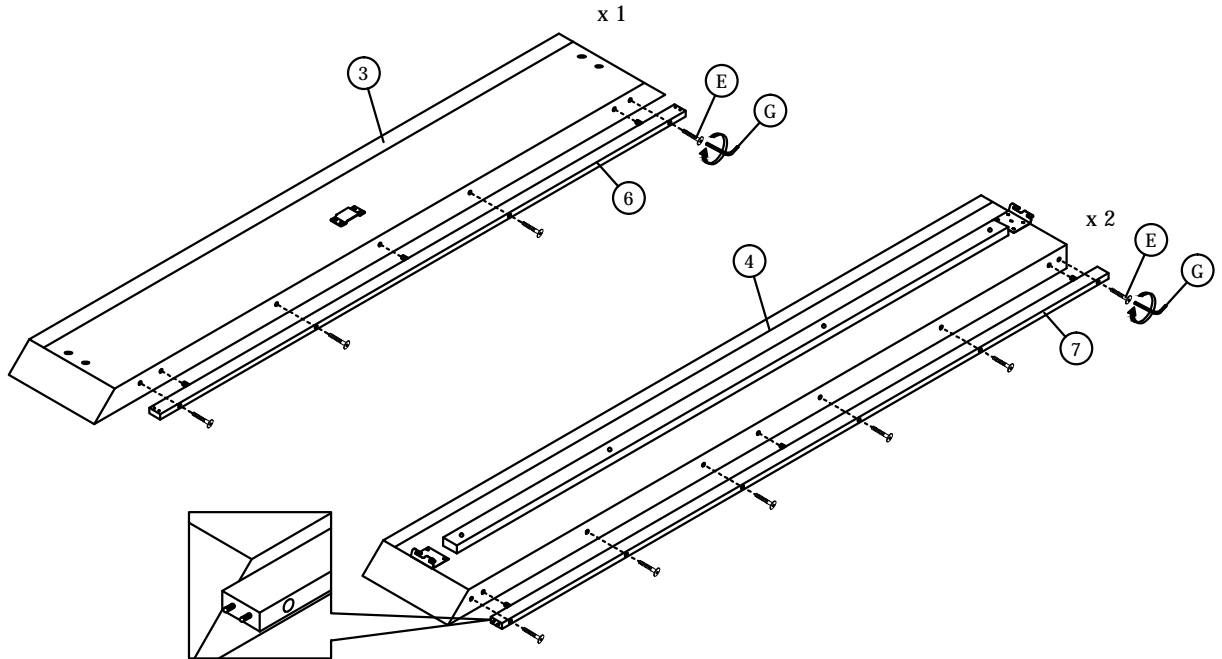
NOTE: For questions about parts or assembly please email support@meridianfurnitureusa.com or call us at 718-758-4455.

www.MeridianFurnitureUSA.com | support@meridianfurnitureusa.com

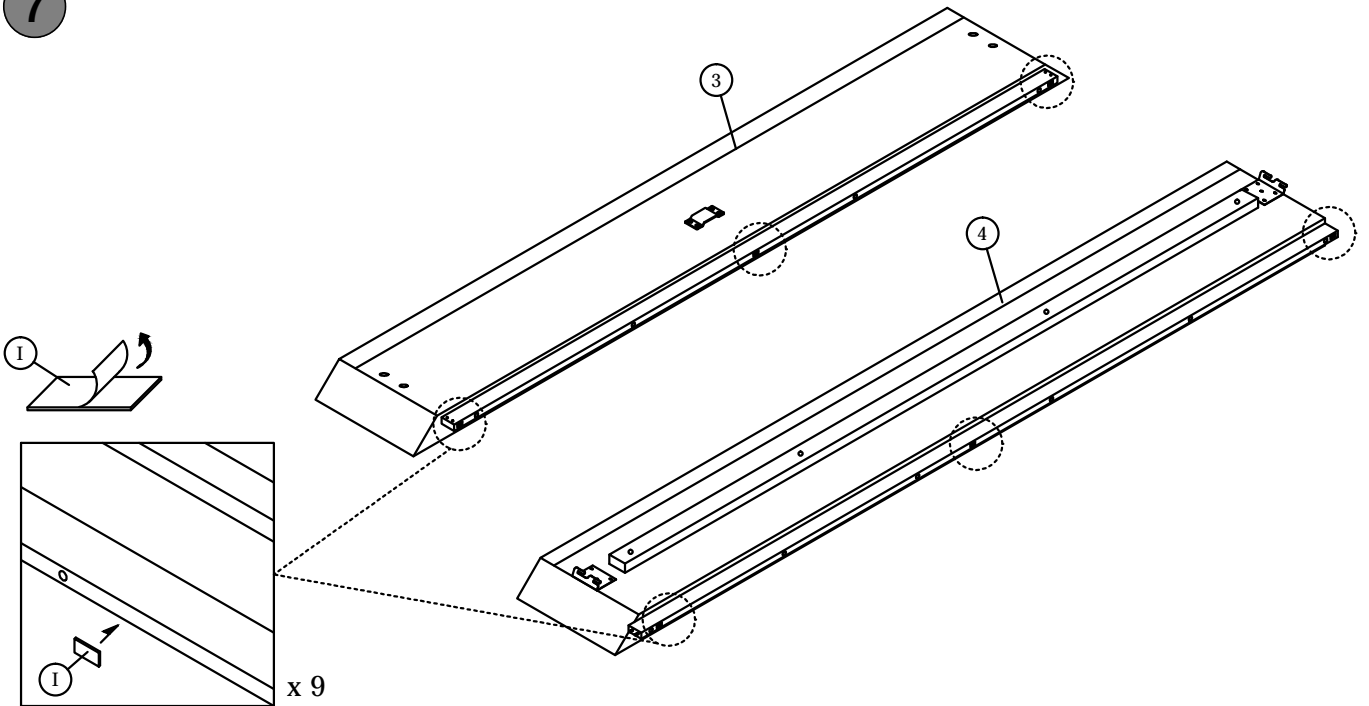
ASSEMBLY INSTRUCTIONS

QUEEN

6



7

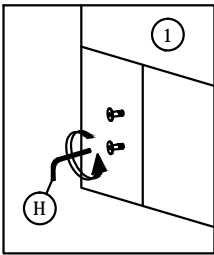


ASSEMBLY INSTRUCTIONS

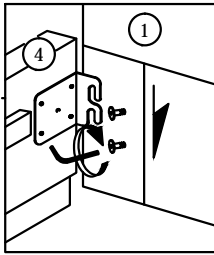
QUEEN

8

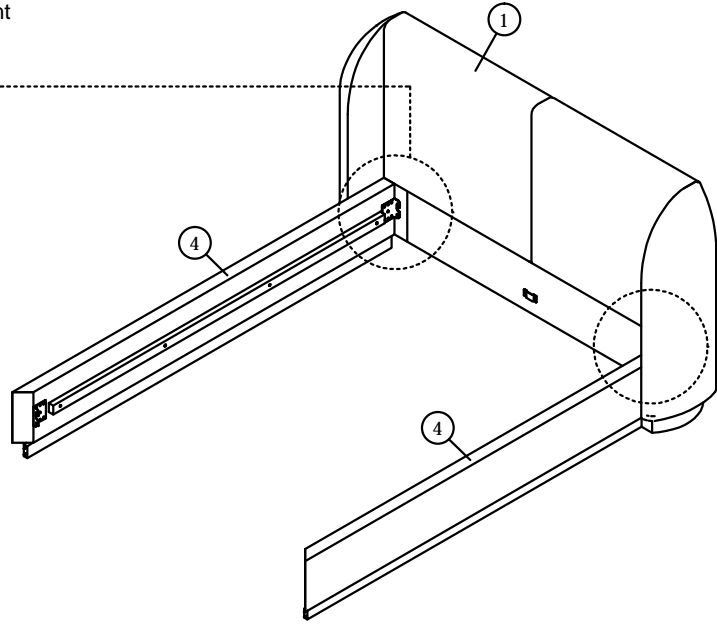
8.1



8.2 Don't screw tight

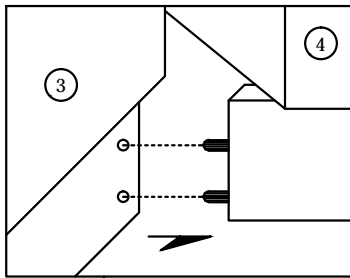


Loosen the pre-inserted bolt on the headboard using Allen key ball shape (H).

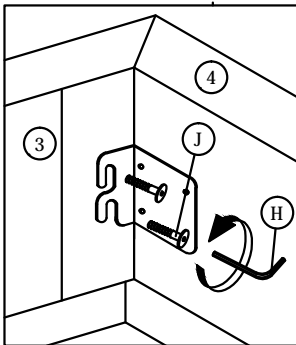


9

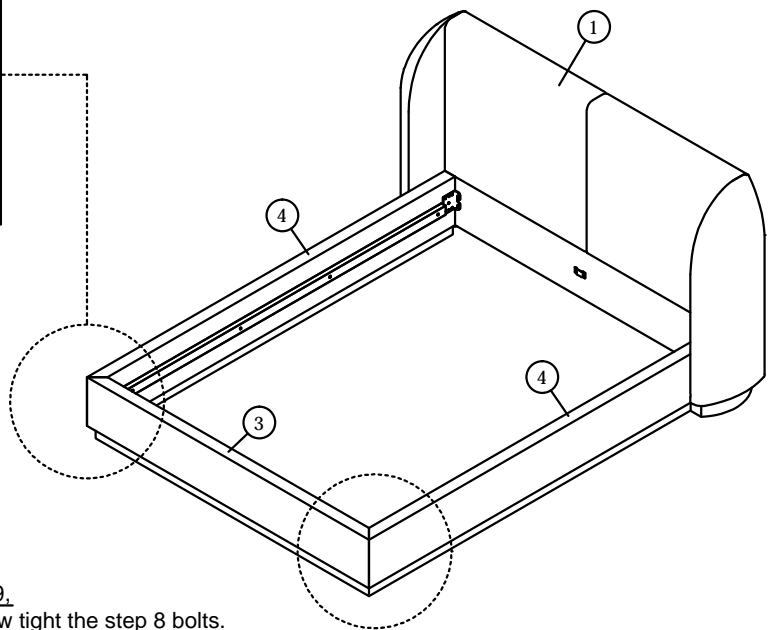
9.1



9.2



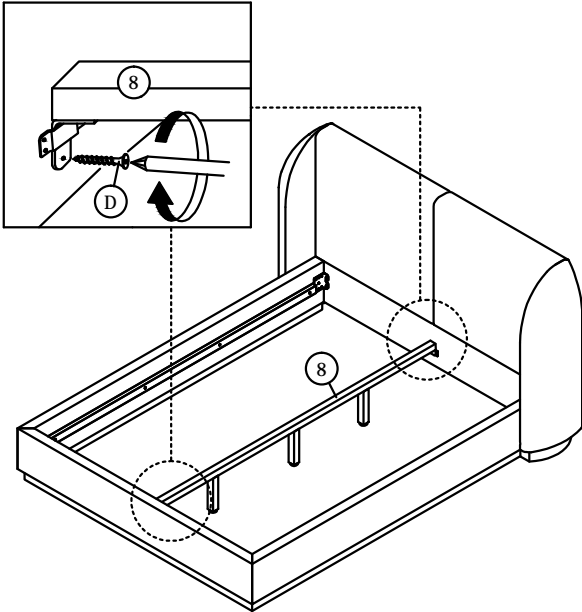
****Finish step 9.**
Please screw tight the step 8 bolts.



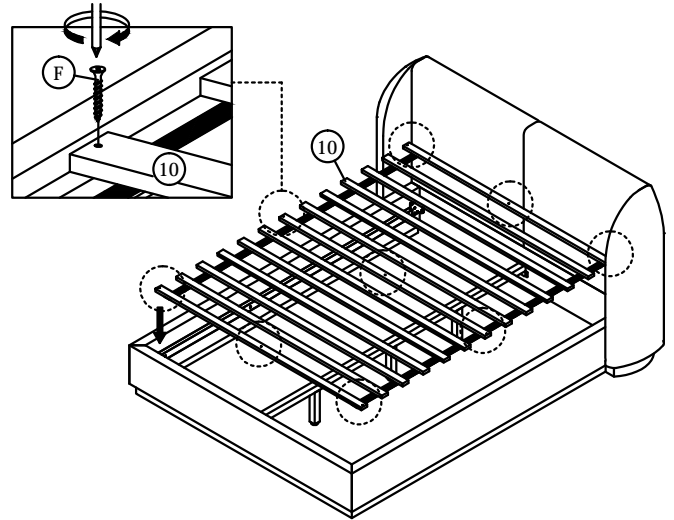
ASSEMBLY INSTRUCTIONS

QUEEN

10



11



12

