

Customer Notice

Dear Customer,

Thank you for choosing our furniture.

To help you set up the included LED long light strip smoothly, we have provided a detailed user guide with key instructions.

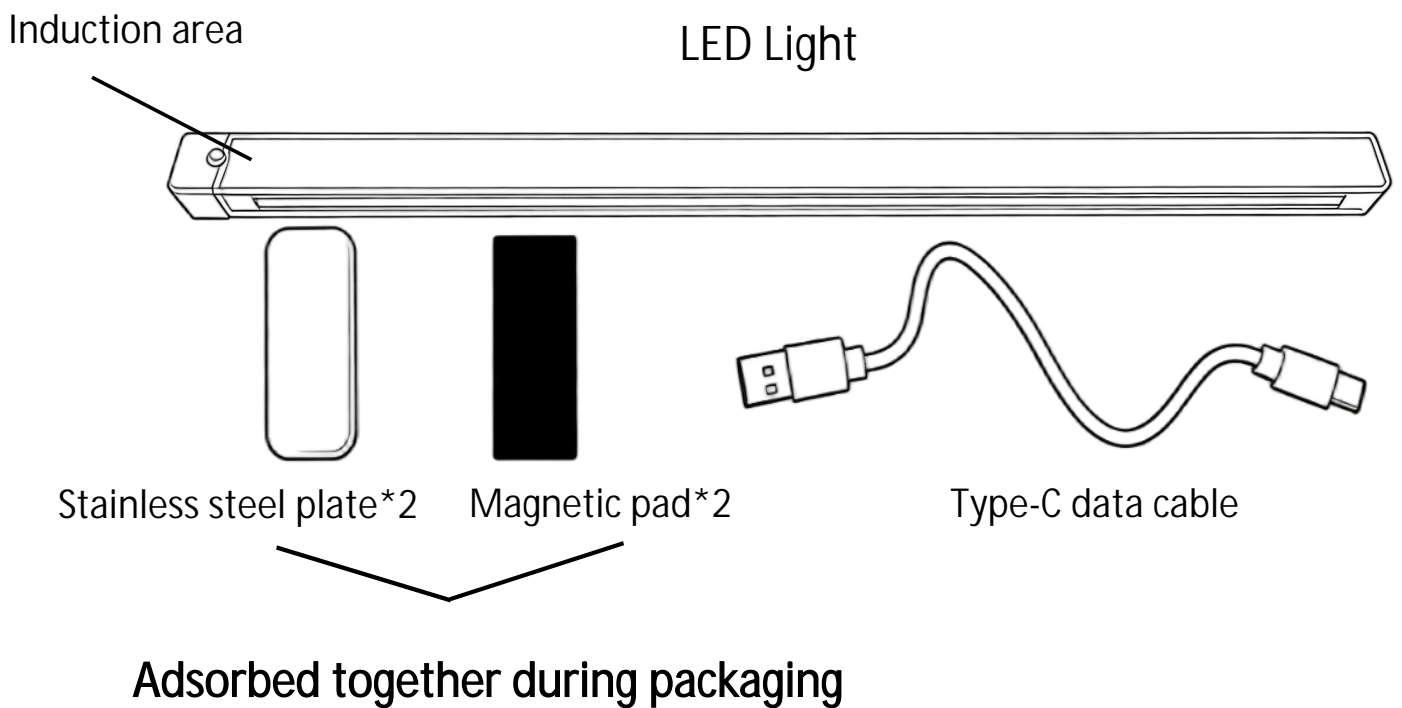
If you encounter any product problems, please feel free to let us know, we value your suggestions and feedback very much.

Sincerely

Customer Notice	1
Product and Accessories Introduction	2
4 Light Modes & Operation Guide	3
Installation Instructions	4
Charging Instructions	4

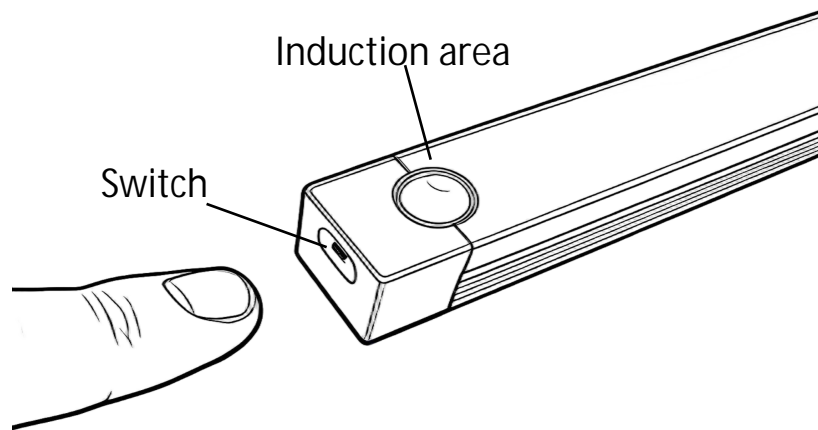
Part 1: Product and Accessories Introduction

If you receive a well-packaged LED long light strip box, please check the number of accessories inside.



Part 2: 4 Light Modes & Operation Guide

Below are the four lighting modes for this light strip. All the operation buttons are the black switch on the side of the light strip.



1. Steady on Mode

Press the switch light to "steady on mode".

2. Light-controlled Induction Mode

Press the switch once more in "Steady On Mode", and the light flashes three times for Light-controlled Induction Mode. This mode enables the light to trigger induction and emit light only in dark environments (e.g. night or dim places). And the light stays on for 60 seconds after activation.

3. No Light-controlled Induction Mode

Press the switch once more in "Light-controlled Induction Mode", and the light flashes twice for No Lightcontrolled Induction Mode.

This mode allows the light to trigger induction and light up in any environment (day or night), and the light stays on for 60 seconds after activation.

4. OFF Mode

Press the switch once more in "No Light-controlled Induction Mode", The light turns off and stops working.

Tip: Adjust The Light Brightness

When the light is on, press and hold the switch to adjust the light brightness.

Part 3: Installation Instructions

Please follow these steps to install the LED light strip. (Please keep the four small accessories safe before installation.)

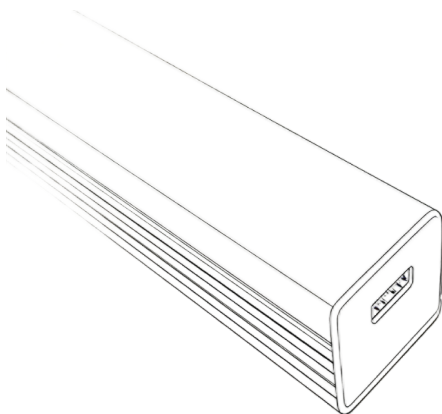


Step 1: Tear off the stickers on the back of the magnetic sheets and adhere them to both sides of the back of the LED light.



Step 2: Tear off the sticker on the white side of the stainless steel plate, then attach the iron sheet on the blue side to the black magnet. After assembly, stick the entire strip to the desired position on the product (the installation position can be chosen as you like).

Part 4: Charging Instructions



There is a Type-C port on the side of the LED light, and you can charge it with the included charging cable.