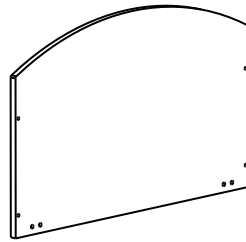
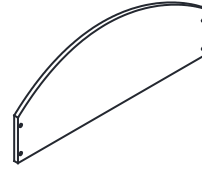


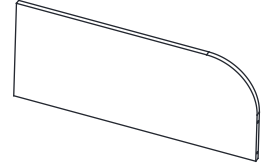
PART LIST



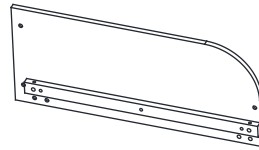
A x 1



B x 1



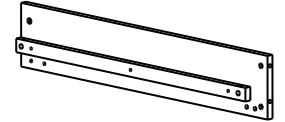
C x 1



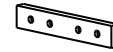
D x 1



E x 1



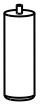
F x 1



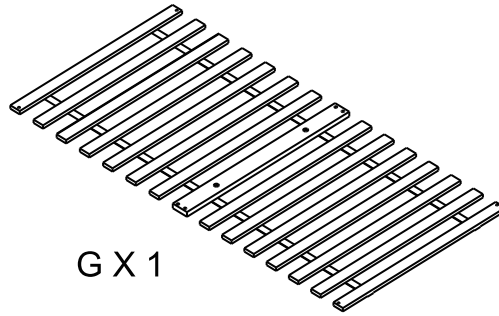
H X 2



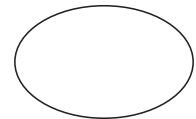
I X 2



J X 4



G X 1



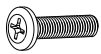
DECAL x 1

(not applicable if you have ordered a plain white bed)

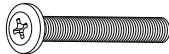
SAFETY TESTED

This bed has been safety tested to BS8509 – covering strength, durability and general safety of beds for domestic use.

HARDWARE



K x 24



L x 18



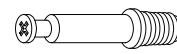
M x 34



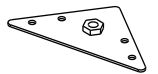
N x 2



O x 2



P x 2

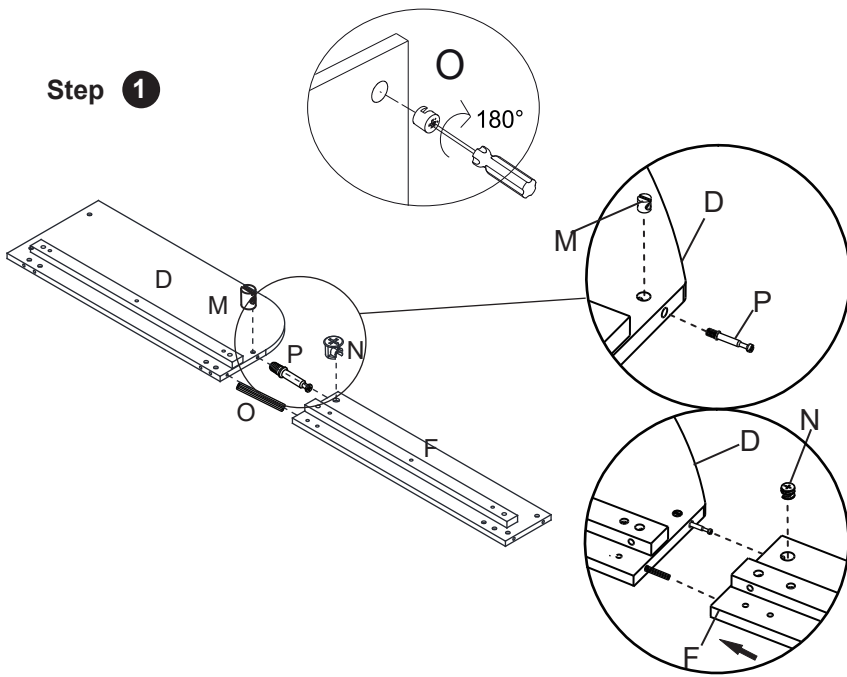


Q x 2

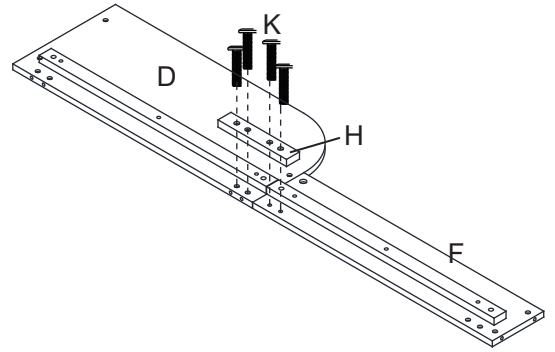
CARE/CLEANING INSTRUCTIONS

- Wipe furniture with a soft dry cloth, do not use paper as this may be abrasive to the finish.
- The unit should be cleaned with a damp cloth and dried with a dry cloth.
- DO NOT use bleach or chemical solutions to clean the product.
- DO NOT expose to sunlight or other heat sources for a prolonged period.
- DO NOT store or leave outside.
- Periodically check the tightening of legs and screws.

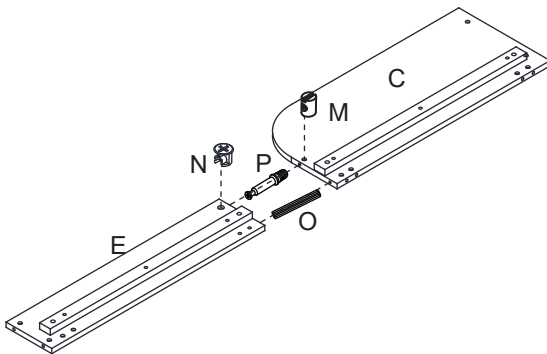
Step 1



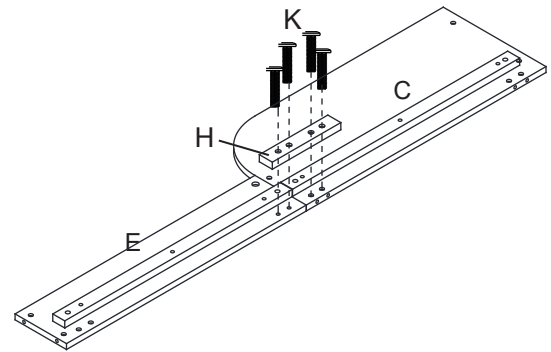
Step 2



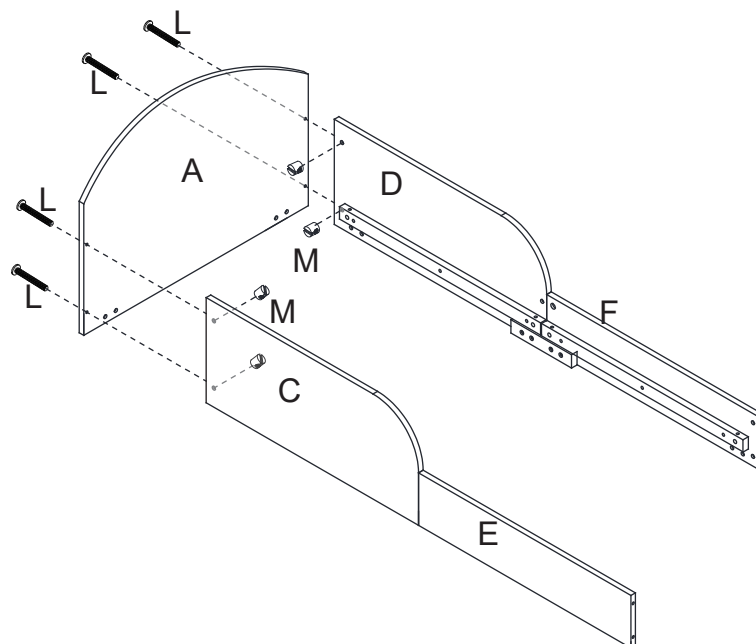
Step 3



Step 4

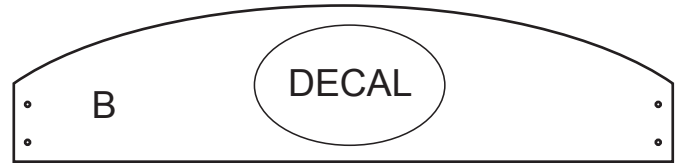


Step 5

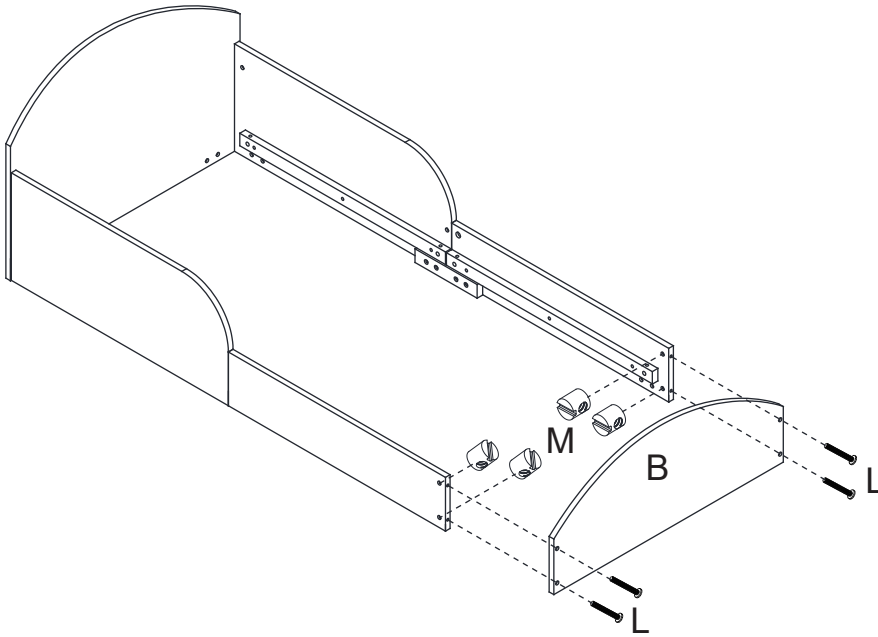


Step 6 Applying Decal – (not applicable if you have ordered plain white bed – skip to step 7).

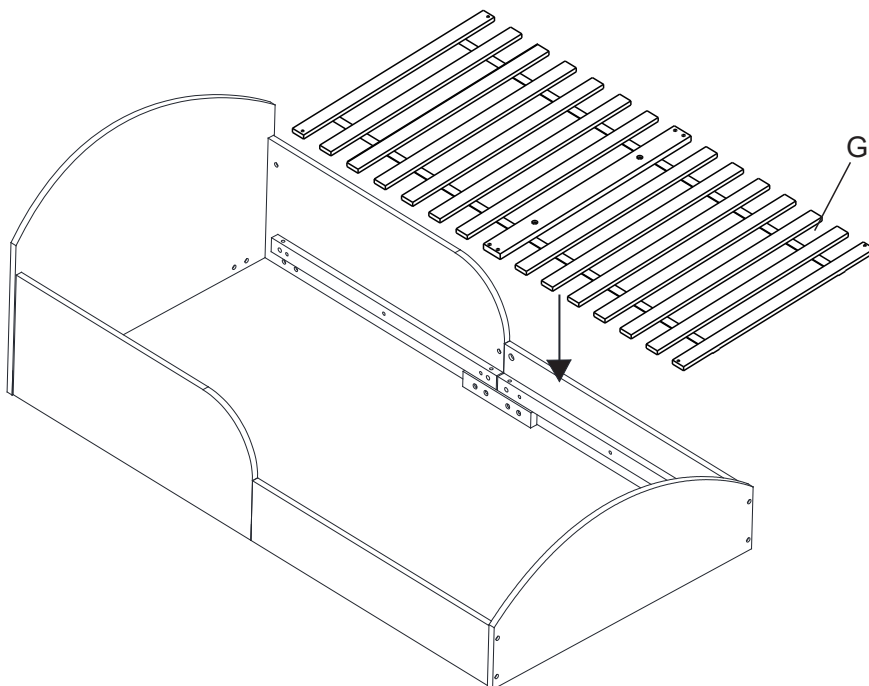
Decorative Decal application to Bed Footboard (Panel B): We advise that your decal is placed on the footboard BEFORE it is assembled to the bed – please ensure you apply decal to the correct side. See Page 6 for full details.



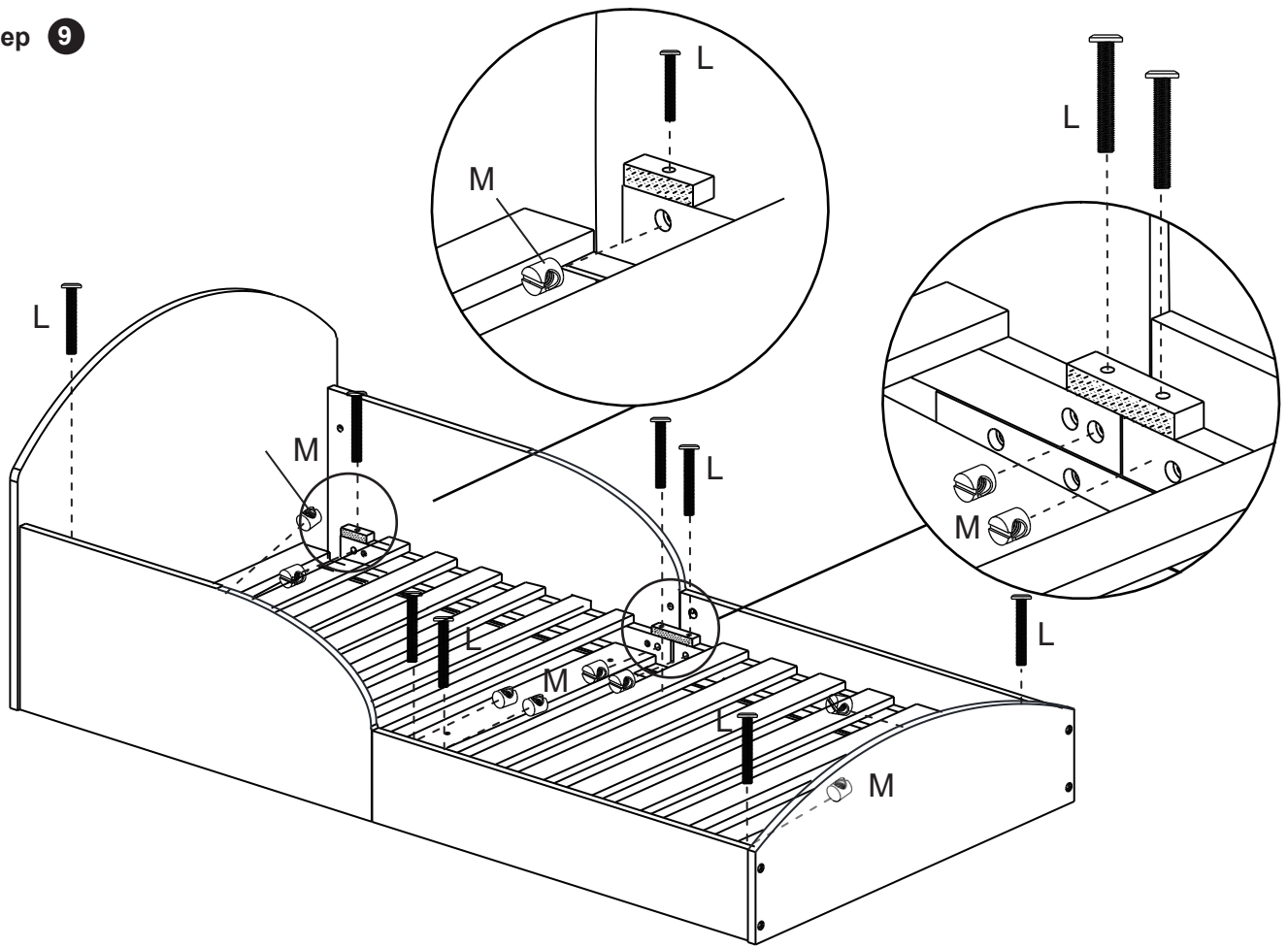
Step 7



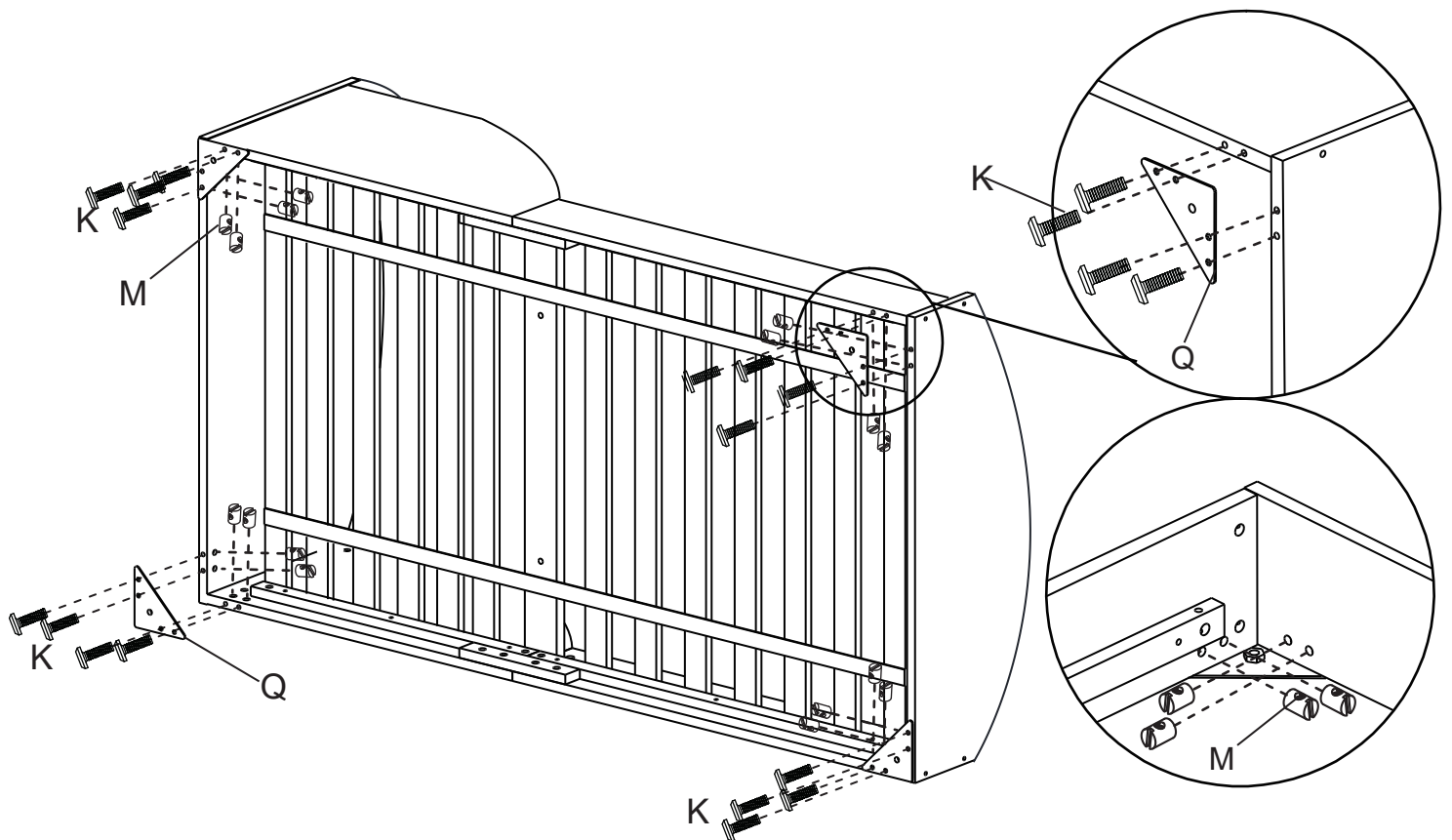
Step 8



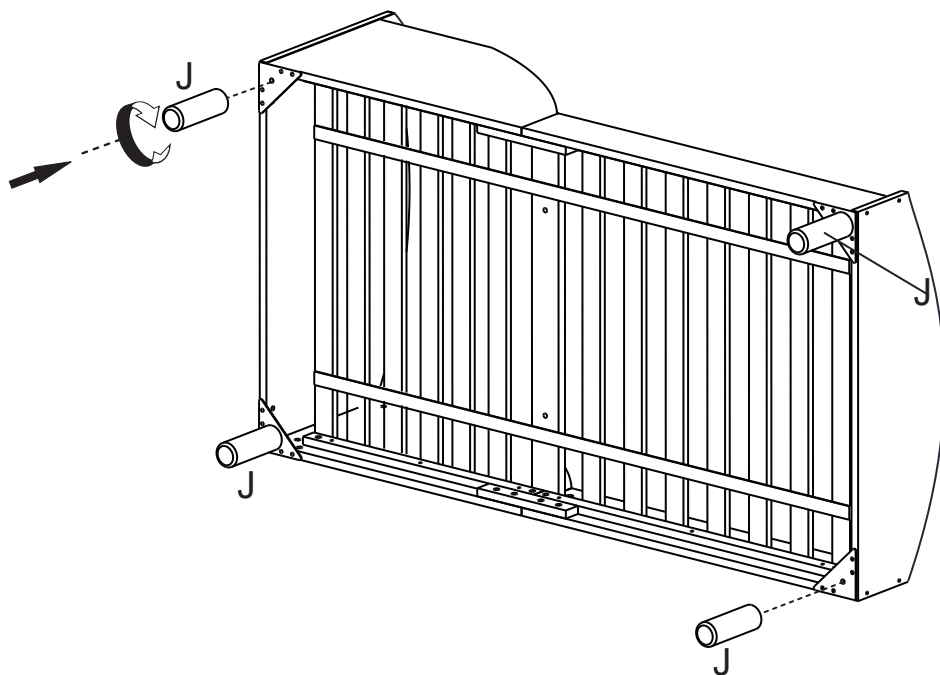
Step 9



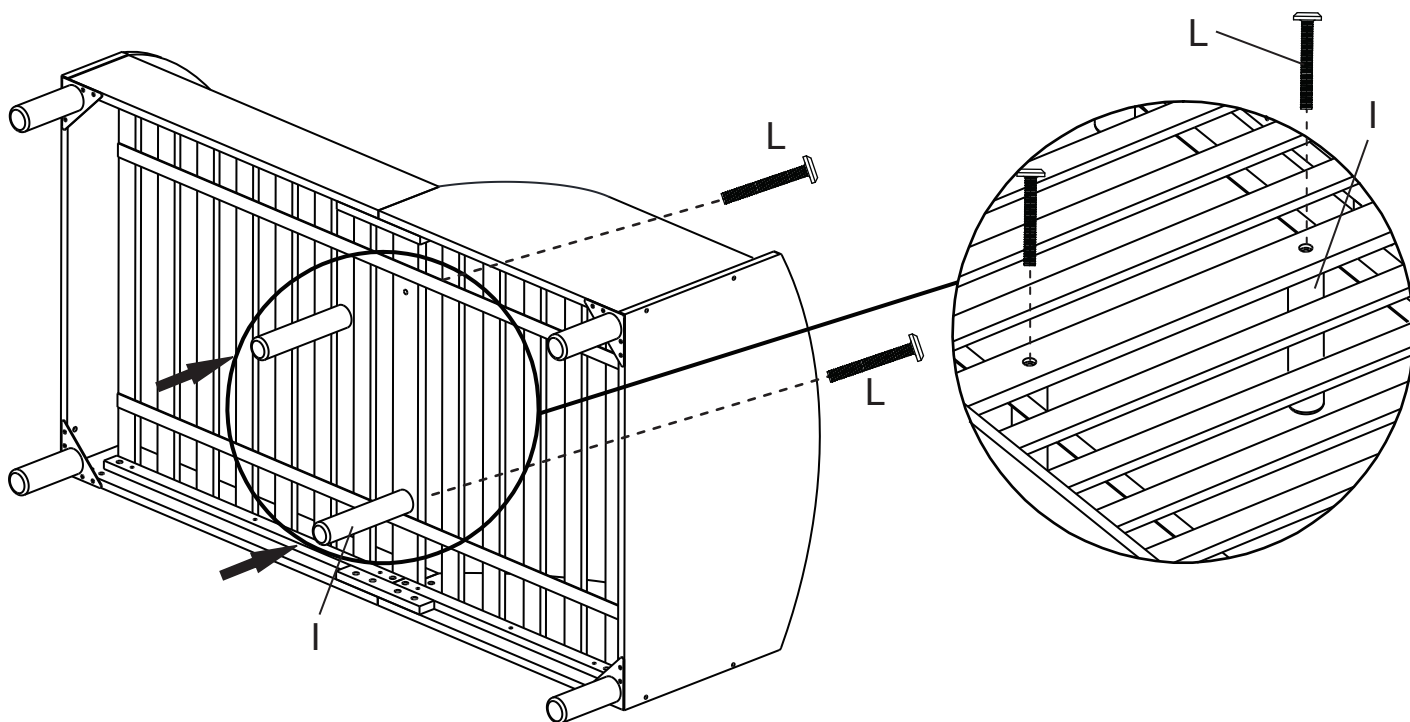
Step 10



Step 11



Step 12



HOW TO APPLY THE DECORATIVE DECAL

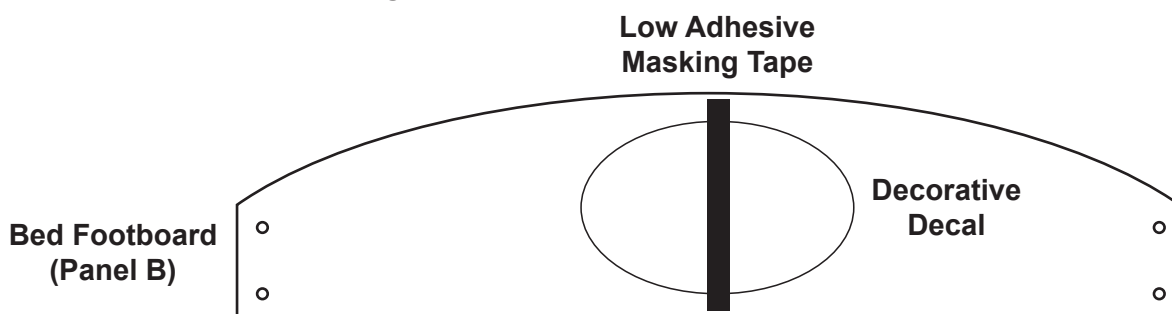
- Decorative Decal Guide (not applicable if you have ordered a plain white bed).
- Our toddler bed is available in plain white – but, for added value and choice, we also offer this bed with a selection of decorative vinyl decals. Self-applied decorative decals are a low-cost and effective way of providing you with a wide range of bed choices for your little one. Our decal is a high adhesive digitally printed clear vinyl sticker.
- We do advise careful application – it is not designed to be repeatedly removed/re-applied.
- Decal range includes – dinosaur, unicorn, spaceman, lion, mermaid, fairy, transport, and many more. Spare decals are available if required – please contact Liberty House Toys Customer Services: customer.services@libertyhousetoys.co.uk (there may be a small charge).
- **PLEASE NOTE** – when peeling decal from backing paper – the decal is ‘cut’ 2/3mm inside the paper backing/edge (so start peeling from inside vinyl decal edge).
- Application to Bed Footboard (Panel B) – we advise that your decal is placed on the footboard **BEFORE** it is assembled to the bed – please ensure you apply decal to the correct side.

DECALS CAN BE APPLIED FREE HAND OR BY USING THE ‘HINGE’ METHOD – see below:

- Decals can be applied free hand – Start by dry wiping the footboard surface. To apply your decal carefully peel from its backing paper and transfer to your footboard – taking care not to trap air bubbles. Once applied we recommend the use of a blunt end (for example credit card or squeegee) to carefully remove any air bubbles – pushing from the centre outwards.

OR

- Decals can be applied using the ‘Hinge Method’ – this is a well-known method which helps achieve accurate positioning of your vinyl decal. Place your decal and fix in position with a low adhesive tape (for example masking tape).



The tape acts as a vertical hinge. On one side of the hinge only (left or right) unpeel the decal from its backing (set 2/3mm inside the edge). Next – use a pair of scissors to cut as much of the backing paper away as you can – and then apply the backing free decal to the wood surface (this will adhere to the footboard). Use a credit card to push any bubbles from the centre outwards. You can then remove the ‘hinge’ (tape) and complete the application of the vinyl decal by removing the rest of the backing paper.

TIPS AND TRICKS IF YOU DO HAVE AIR BUBBLES

1. As a backup a hair dryer on a low setting may help remove air bubbles (then use a credit card or squeegee to push the bubble to the outside edges).
2. In the unlikely event you have a bigger air bubble you can also use a pin to pop the bubble – the hole will be so small you will not see it.



Liberty House Toys
20-24 Gibraltar Row
King Edward Industrial Estate
Liverpool L3 7HJ
United Kingdom



WARNING:
CHOKING HAZARD – Small parts.