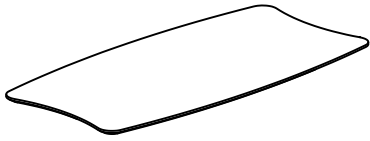


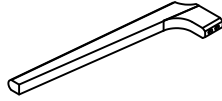
Product Assembly Instructions

PART LIST



A : TABLE TOP

x1



B : TABLE LEG

x4

HARDWARE LIST



C : JCB SCREW M8 x 80MM

x8



D : JCB SCREW M8 x 60MM

x4



E : SPRING WASHER 5/16"

x12



F : FLAT WASHER 5/16"

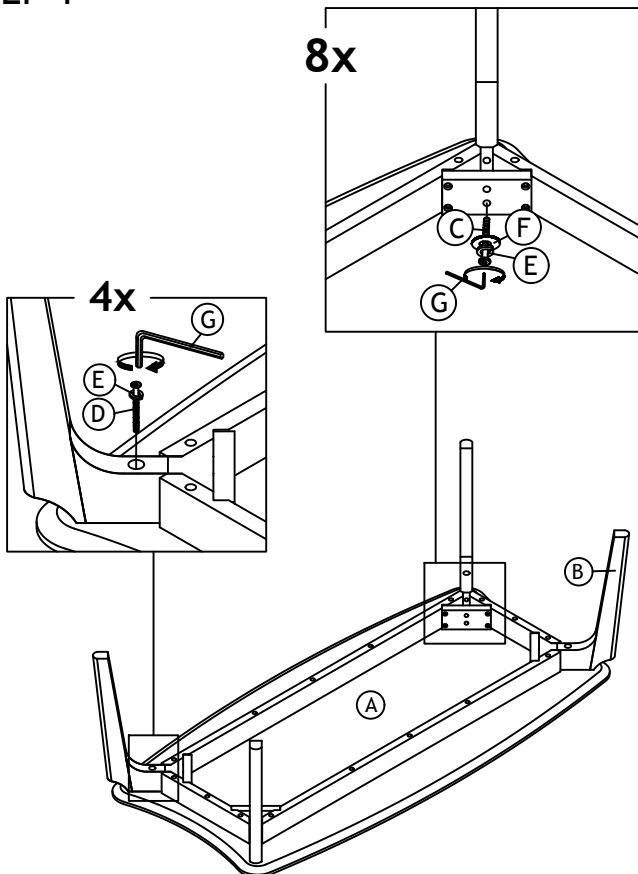
x8



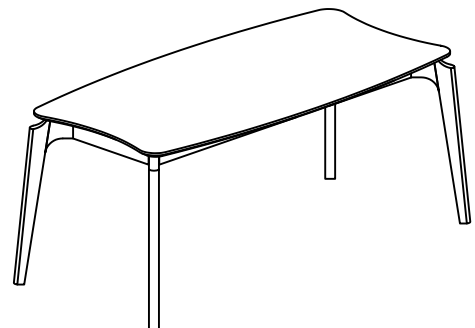
G : ALLEN KEY M5

x1

STEP 1



STEP 2



COMPLETED ASSEMBLY