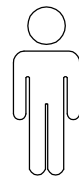
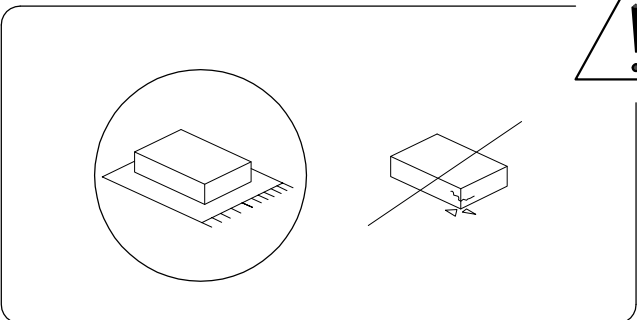
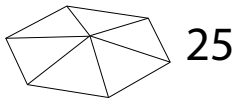


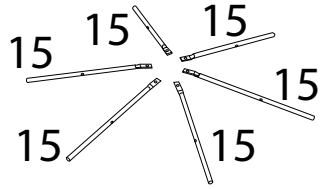
180'



3



25



15

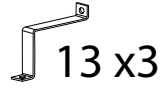
15

15

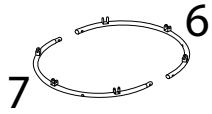
15

15

15

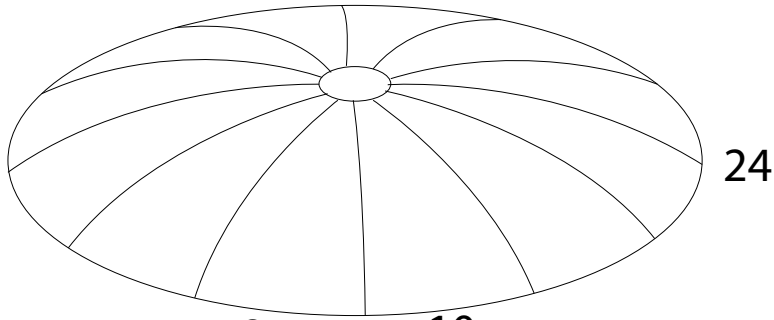


13 x 3

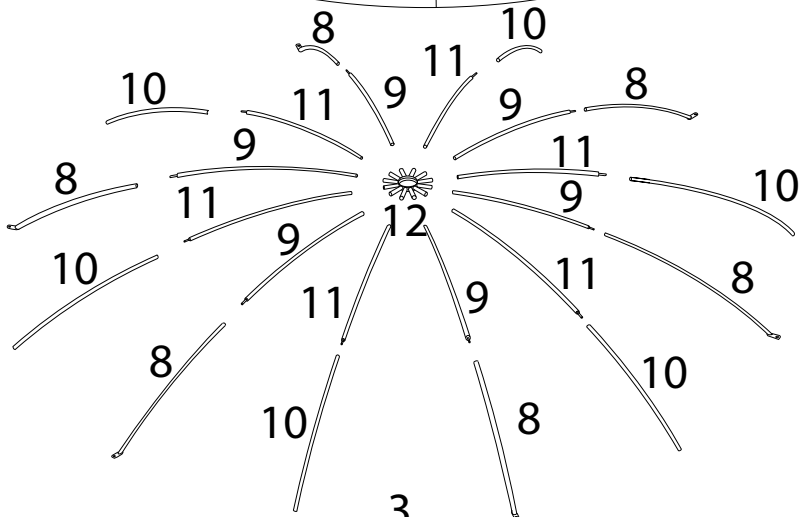


6

7



24



8

10

10

11

9

11

9

8

8

9

11

9

11

10

11

9

11

9

11

8

10

8

10

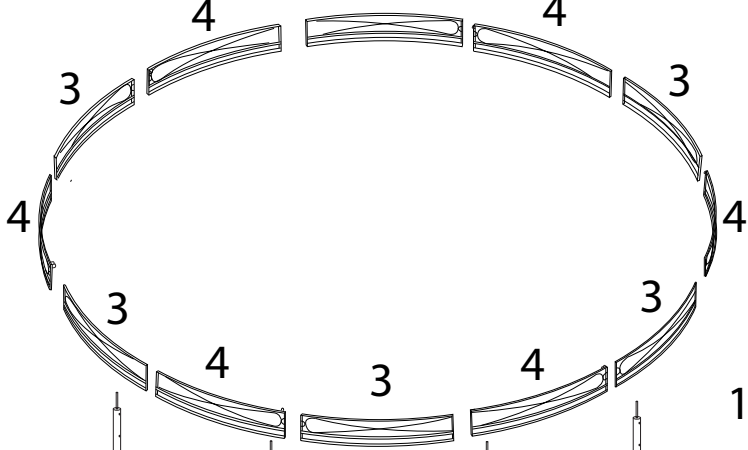
3

8

10



5 x 6



4

3

4

3

3

4

4

3

3

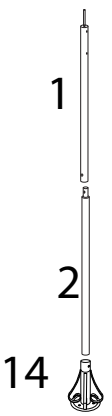
4

3

4



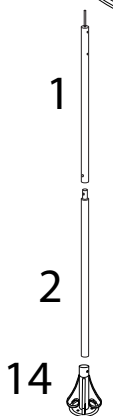
27 x 6



1

2

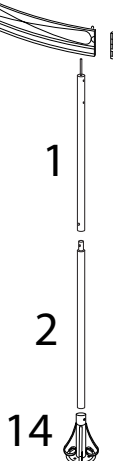
14



1

2

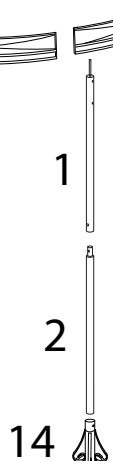
14



1

2

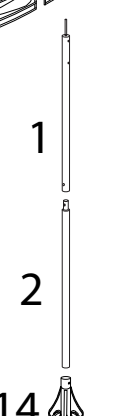
14



1

2

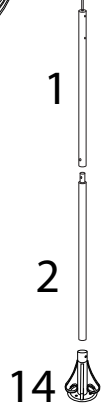
14



1

2

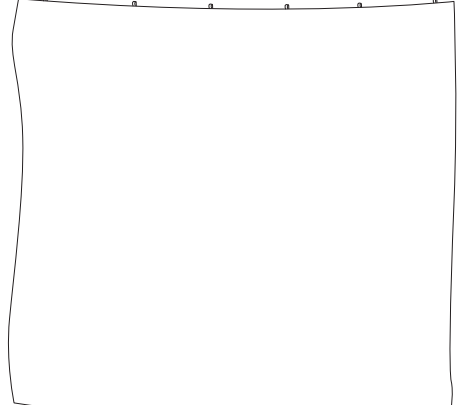
14



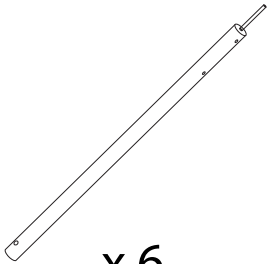

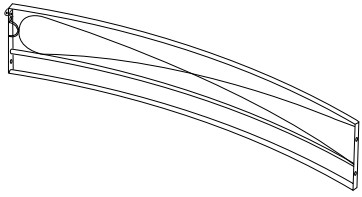
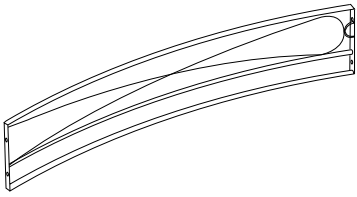
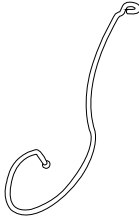
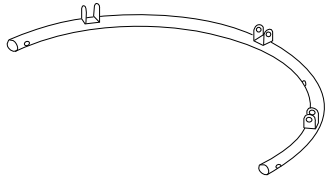
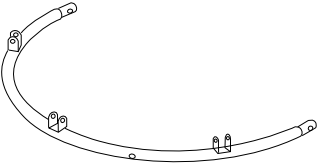
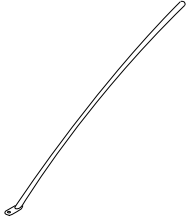
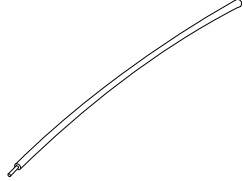
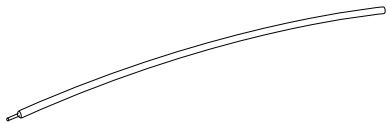
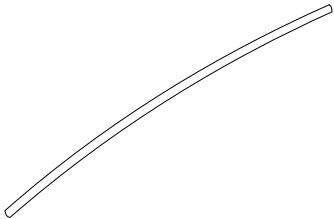
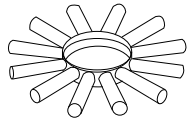
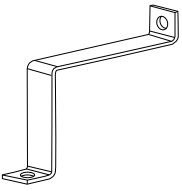
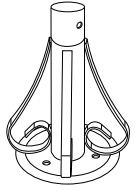
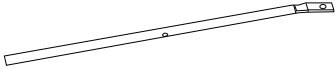
1

2

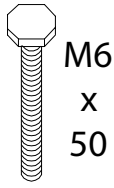
14



26 x 6

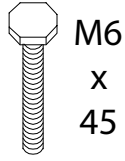
<p>1</p>  <p>x 6</p>	<p>2</p>  <p>x 6</p>	<p>3</p>  <p>x 6</p>
<p>4</p>  <p>x 6</p>	<p>5</p>  <p>x 6</p>	<p>6</p>  <p>x 1</p>
<p>7</p>  <p>x 1</p>	<p>8</p>  <p>x 6</p>	<p>9</p>  <p>x 6</p>
<p>10</p>  <p>x 6</p>	<p>11</p>  <p>x 6</p>	<p>12</p>  <p>x 1</p>
<p>13</p>  <p>x 3</p>	<p>14</p>  <p>x 6</p>	<p>15</p>  <p>x 6</p>

16



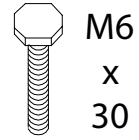
x 12

17



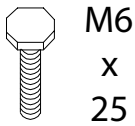
x 6

18



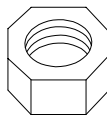
x 12

19



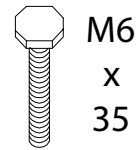
x 8

20



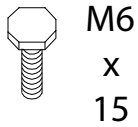
x 51

21



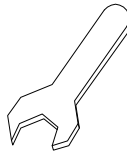
x 1

22



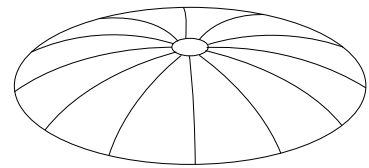
x 12

23



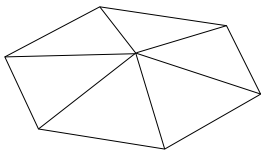
x 2

24



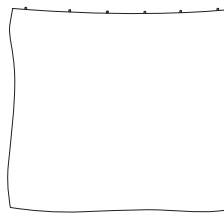
x 1

25



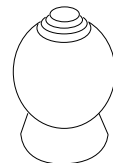
x 1

26



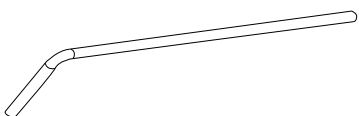
x 6

27



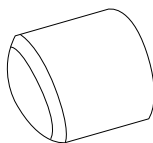
x 6

28



x 12

29







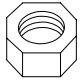

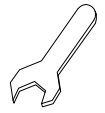
x 6

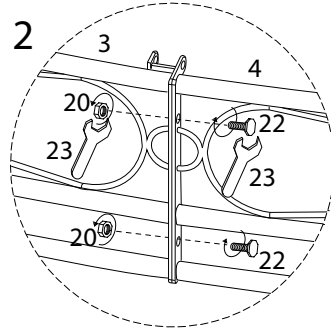
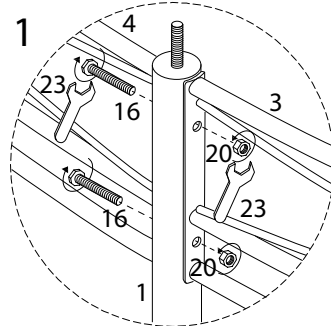
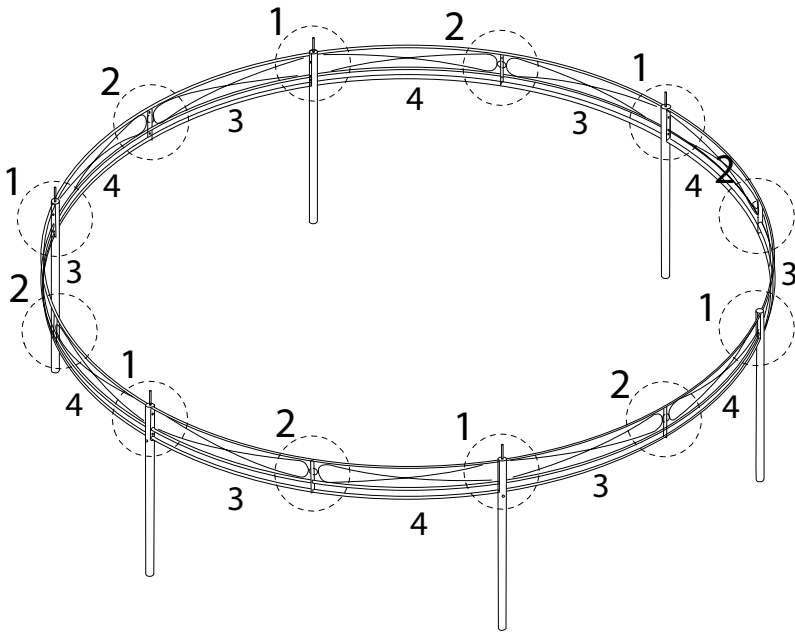
30




x 36

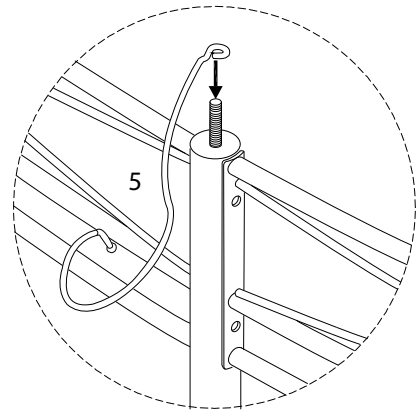
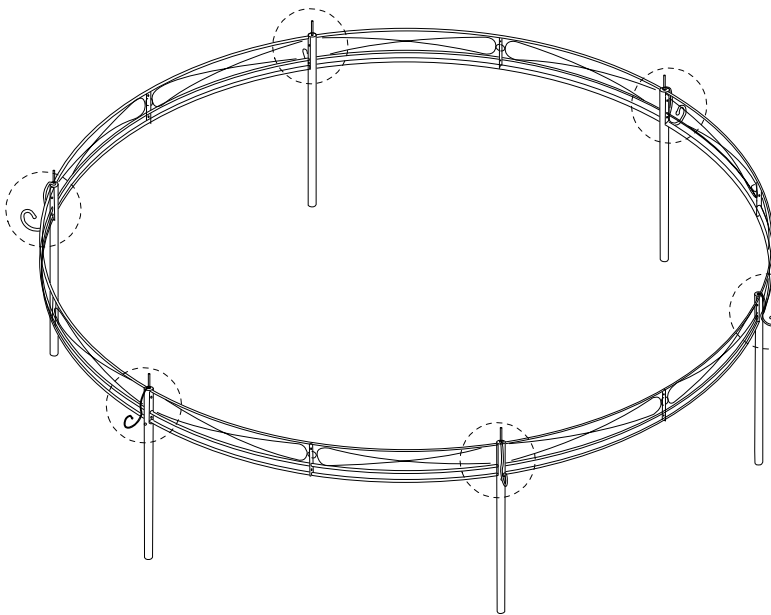
1

1  x 6	3  x 6	4  x 6	16  M6 x 50 x 12	20  x 12	22  M6 x 15 x 12	23  x 1
---	---	---	---	--	---	--

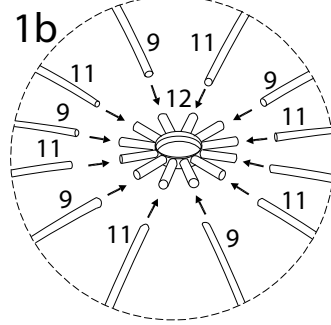
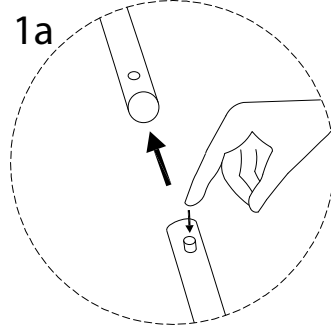
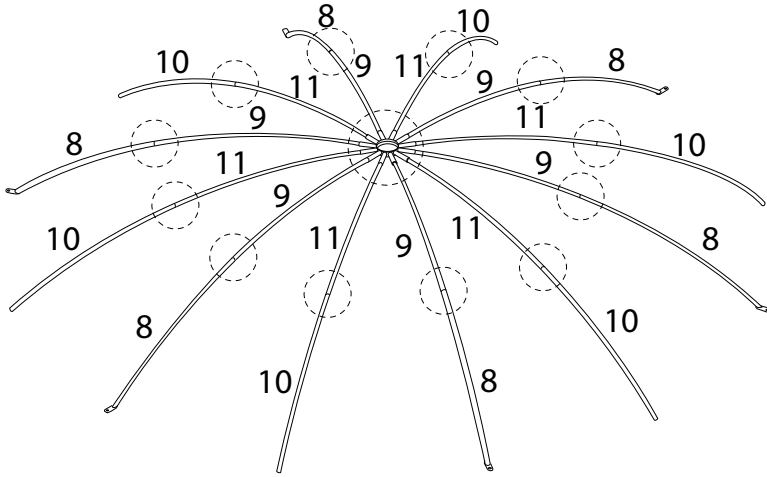
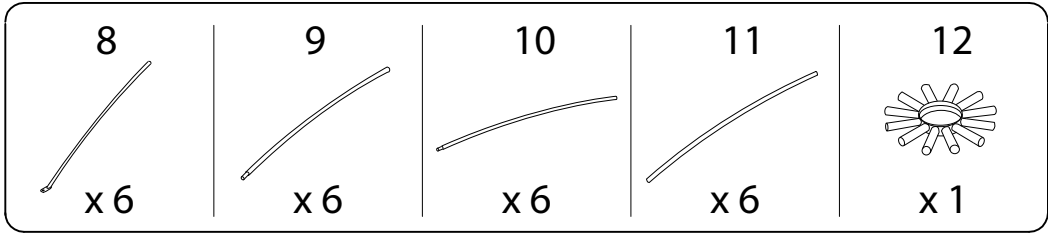


2

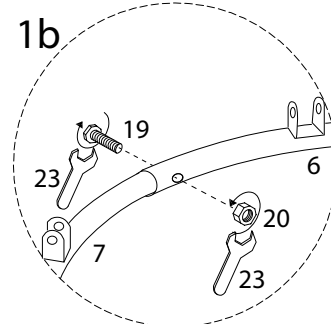
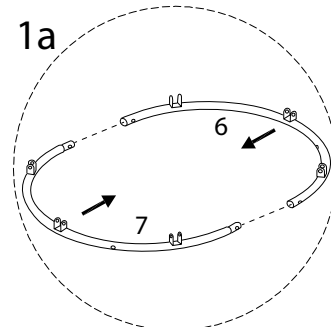
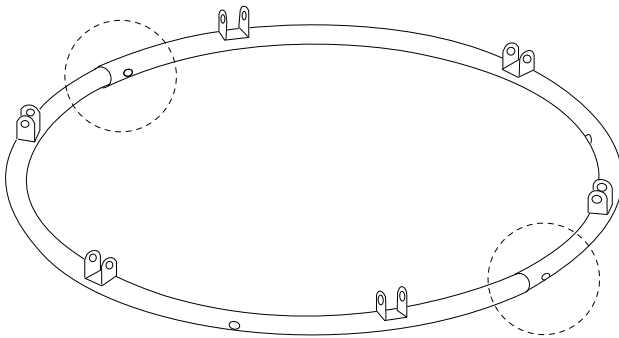
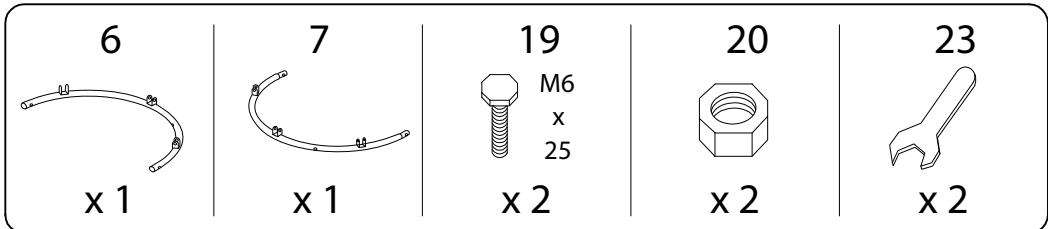
5  x 6




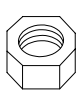


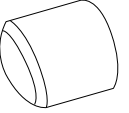
3

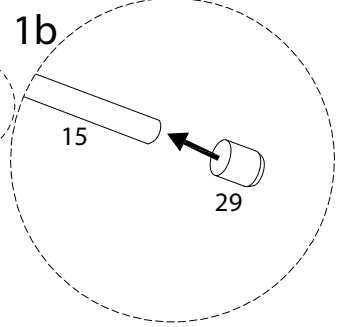
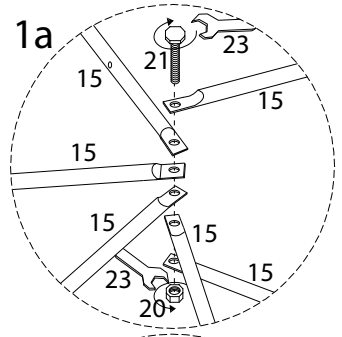
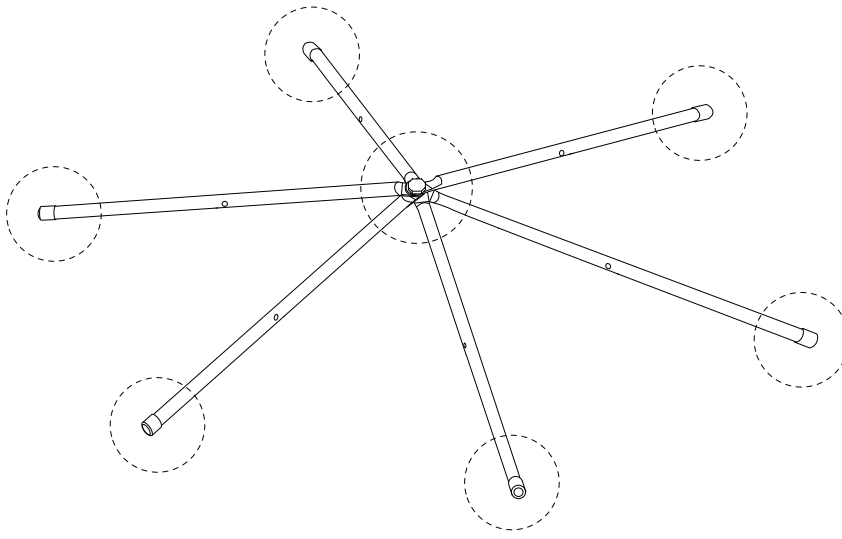


4




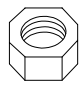
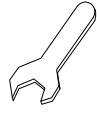


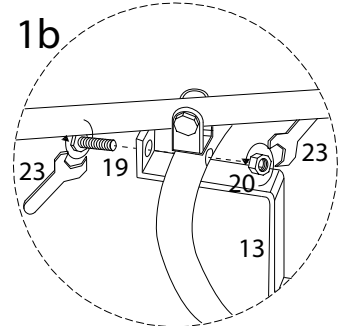
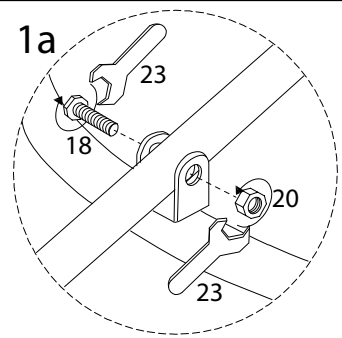
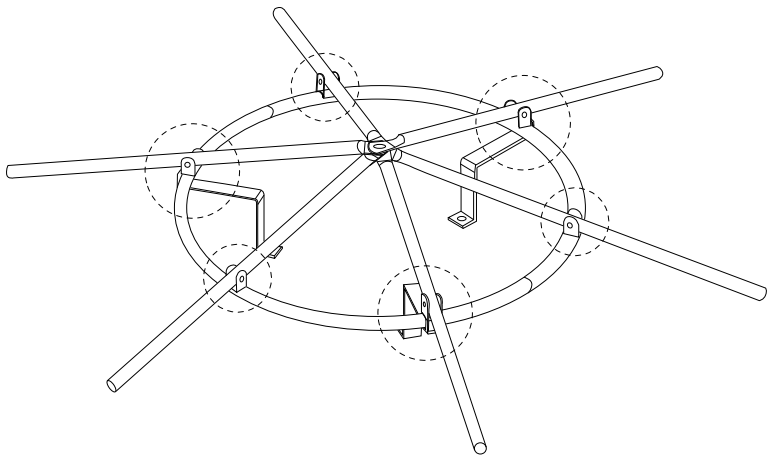
5

15  x 6	20  x 1	21 M6 x 35  x 1	23  x 2	29  x 6
--	--	--	--	--



6

13  x 3	18 M6 x 30  x 6	19 M6 x 25  x 3	20  x 9	23  x 2
--	--	--	--	--

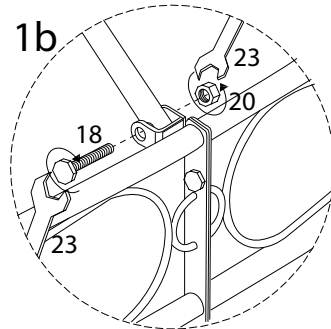
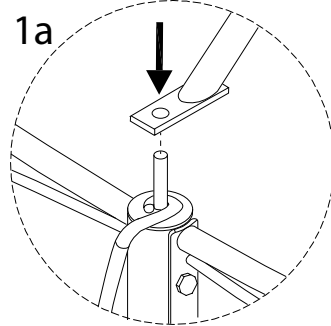
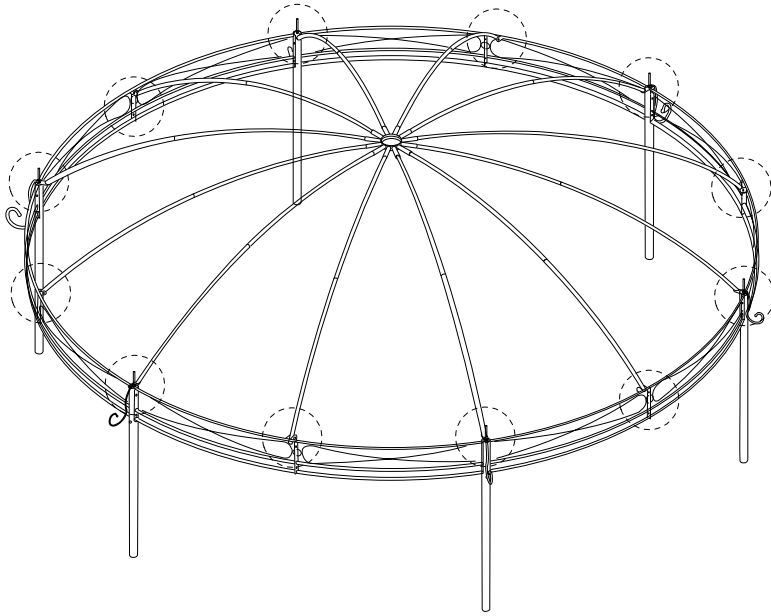


7

18
M6
x
30
x 6

20
x 6

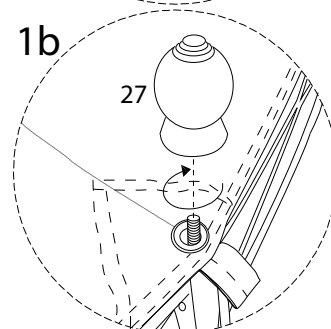
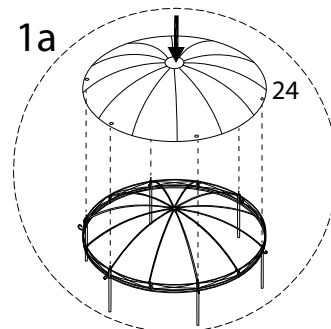
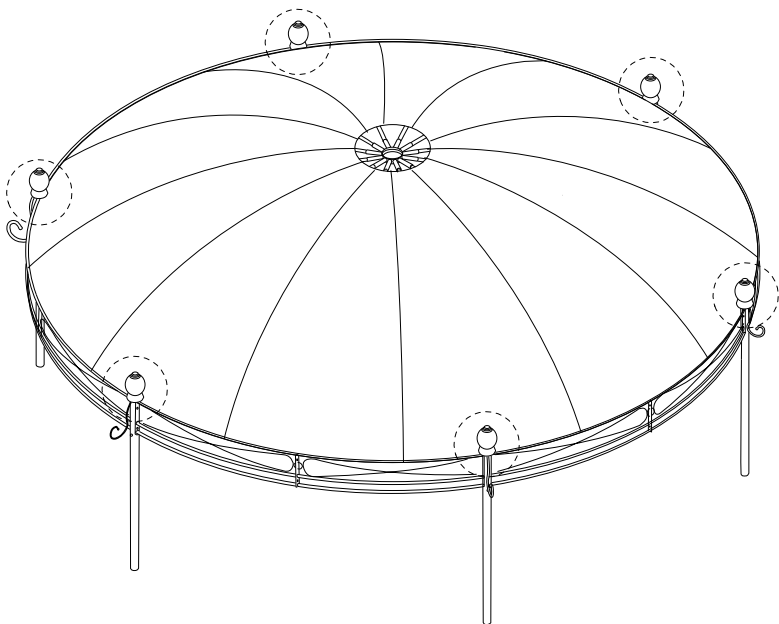
23
x 2



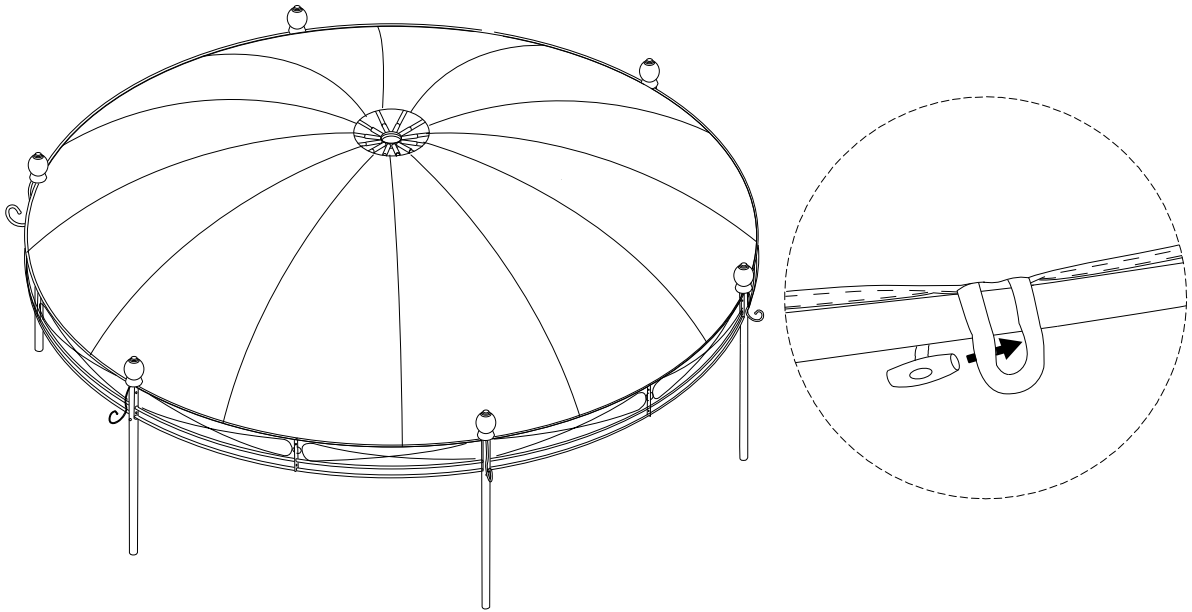
8

24
x 1

27
x 6

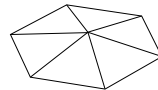


9

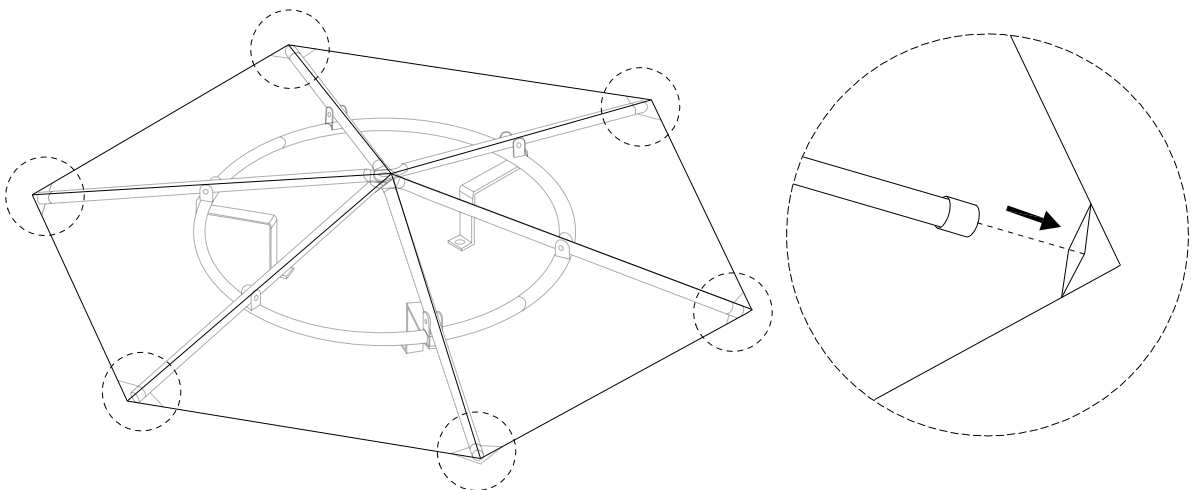


10

25

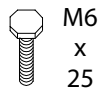


x 1



11

19



x 3

20

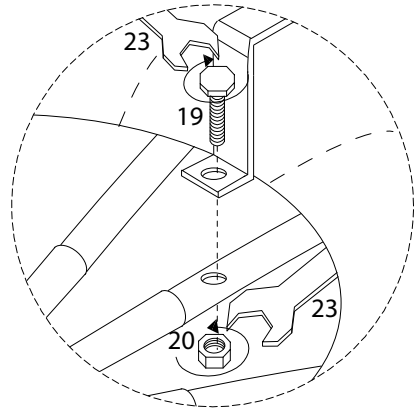
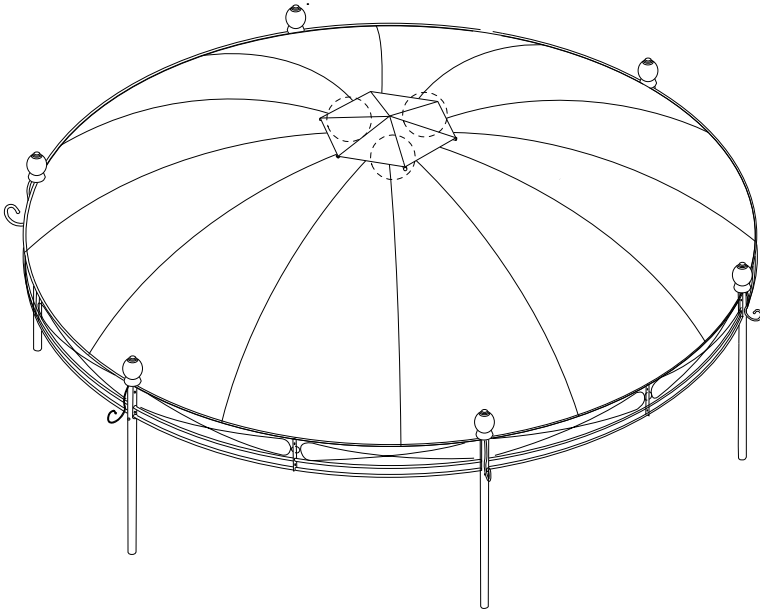


x 3

23



x 2



12 x6

2



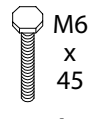
x 1

14



x 1

17



x 1

20

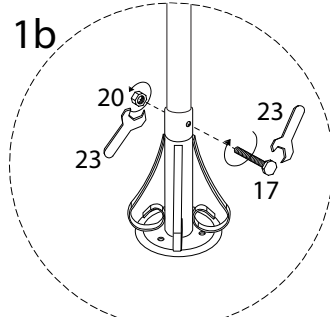
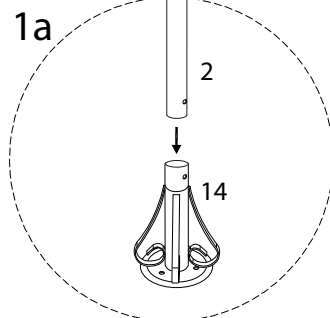
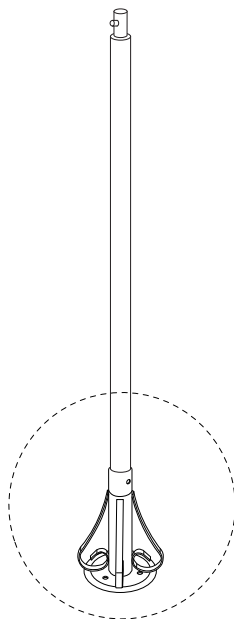


x 1

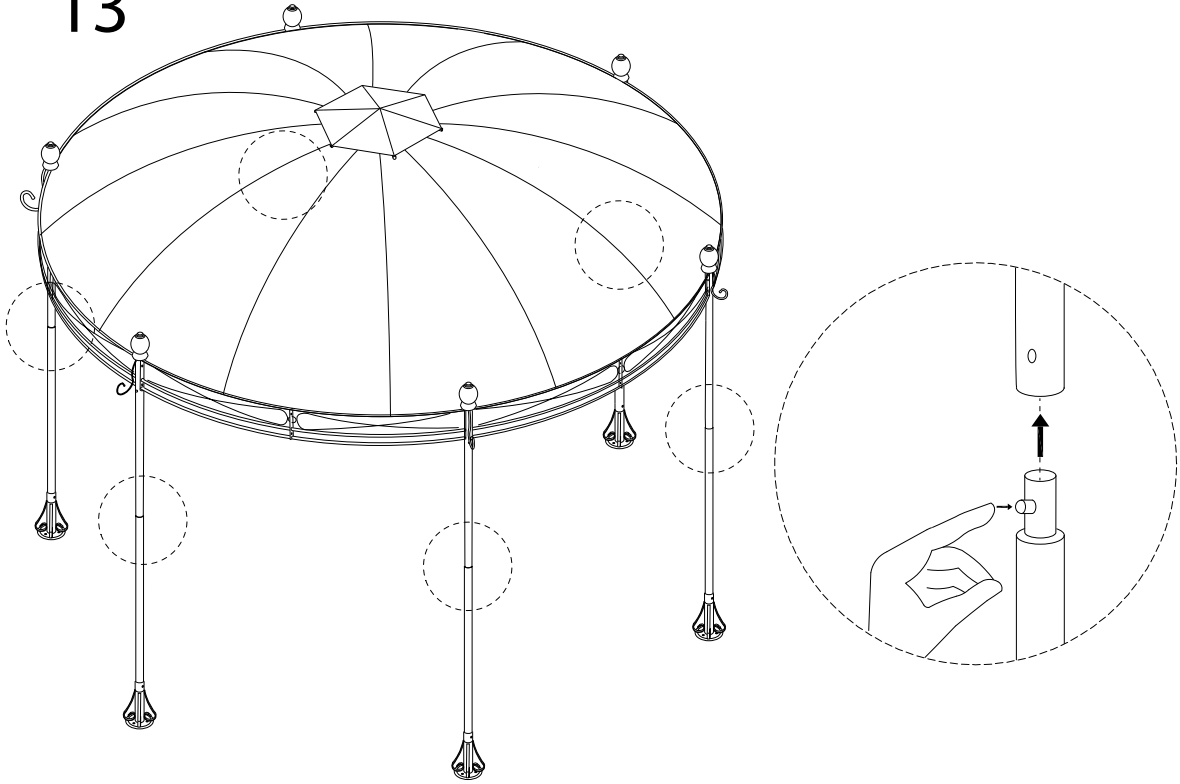
23



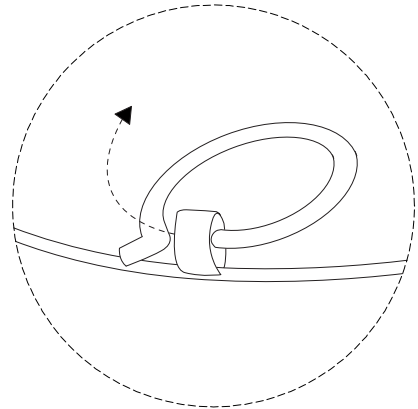
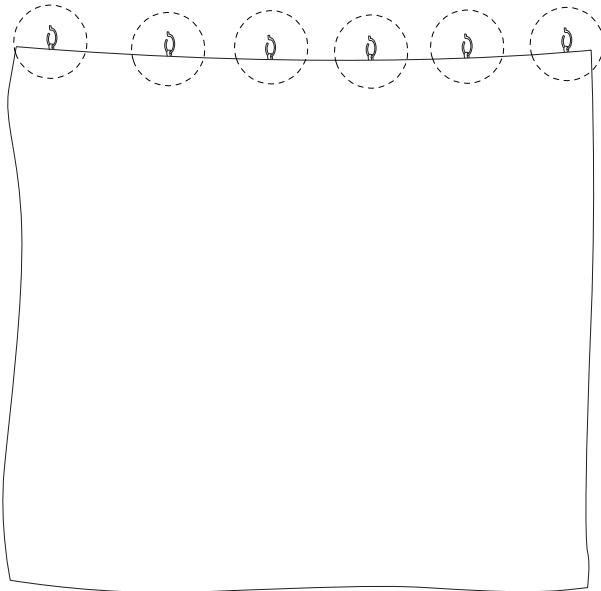
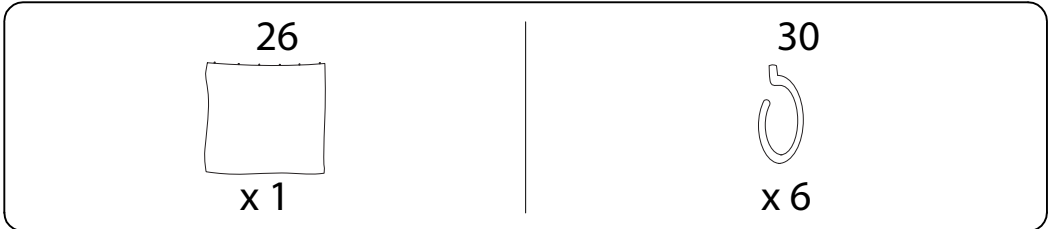
x 2



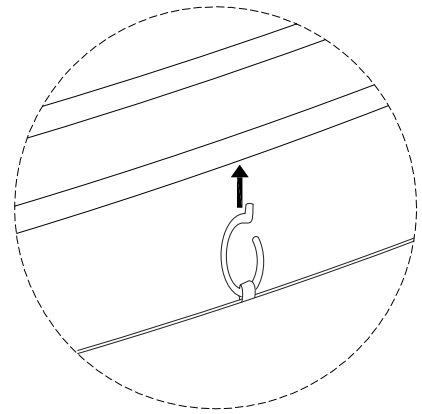
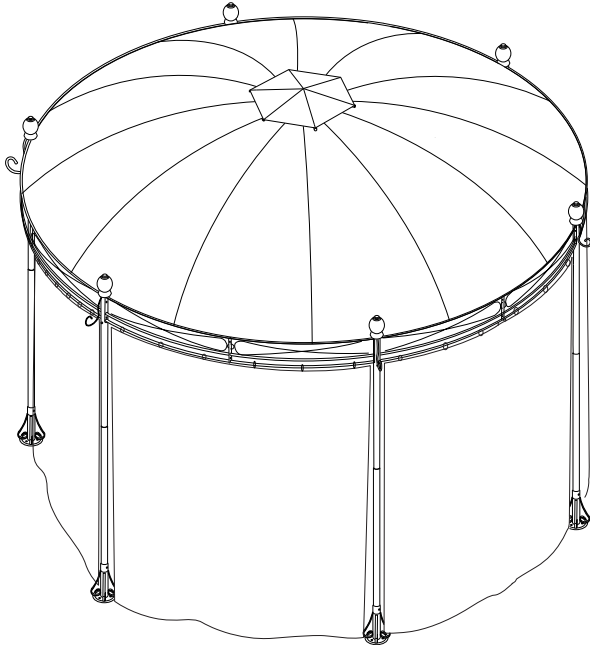
13



14 x6



15



16

