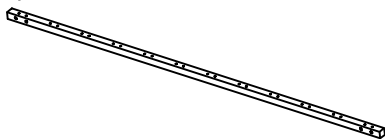

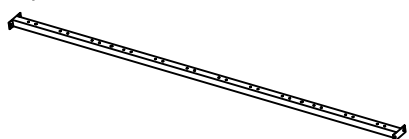



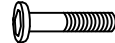




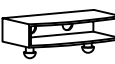




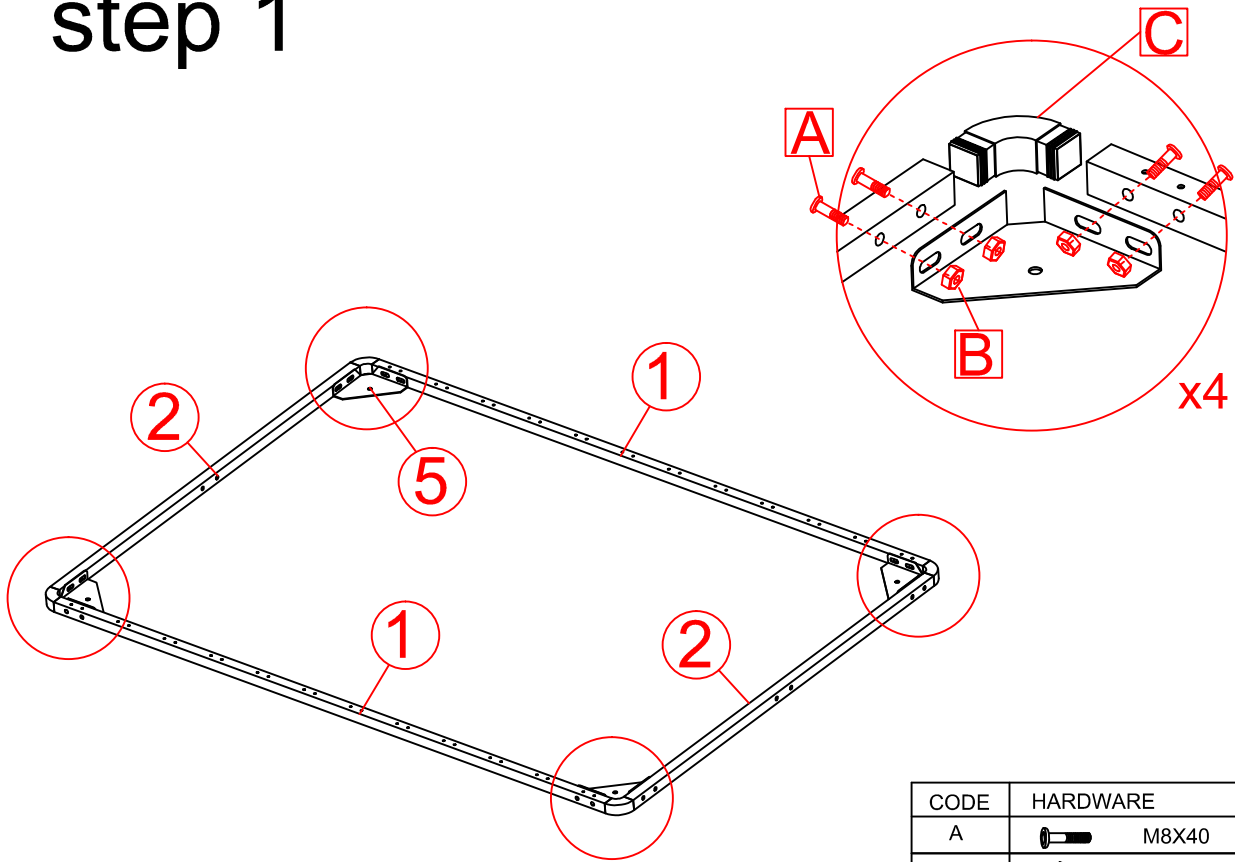





Note:

1. When receiving the goods, please confirm the product according to the listing of instructions. Once you find less pieces, please provide relevant pictures to contact US. We will deal it in the time.
2. Please install goods with the instruction manual.
3. It is recommended that the installation should not be too tight to adjust easily. After the structure is installed, firm the interface for more stability.

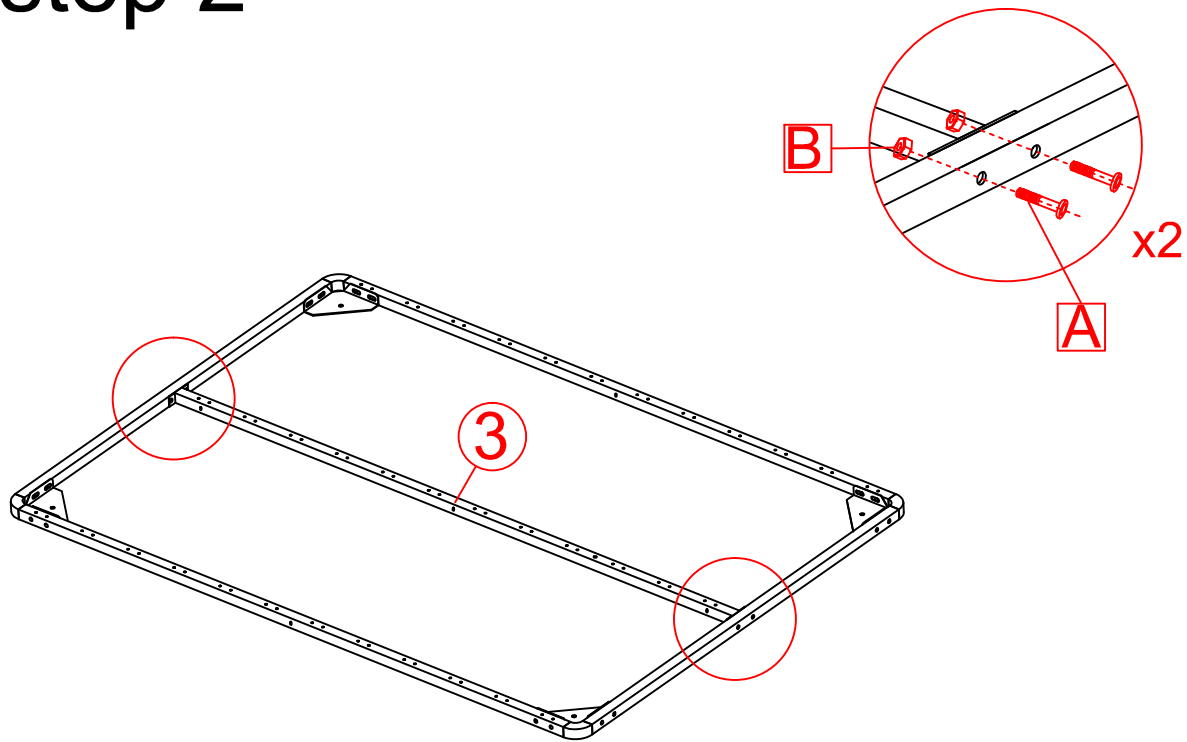
① -2pcs 		② -2pcs 		③ -1pcs 	
④ -4pcs 	⑤ -4pcs 	⑥ -5pcs 	A-29pcs M8X40 	B-25pcs 	C-4pcs 
D-1pcs M8 	E-1pcs M8 	F-24pcs 	G-12pcs 	H-24pcs 	I-6pcs 
K-12pcs 					

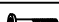

step 1



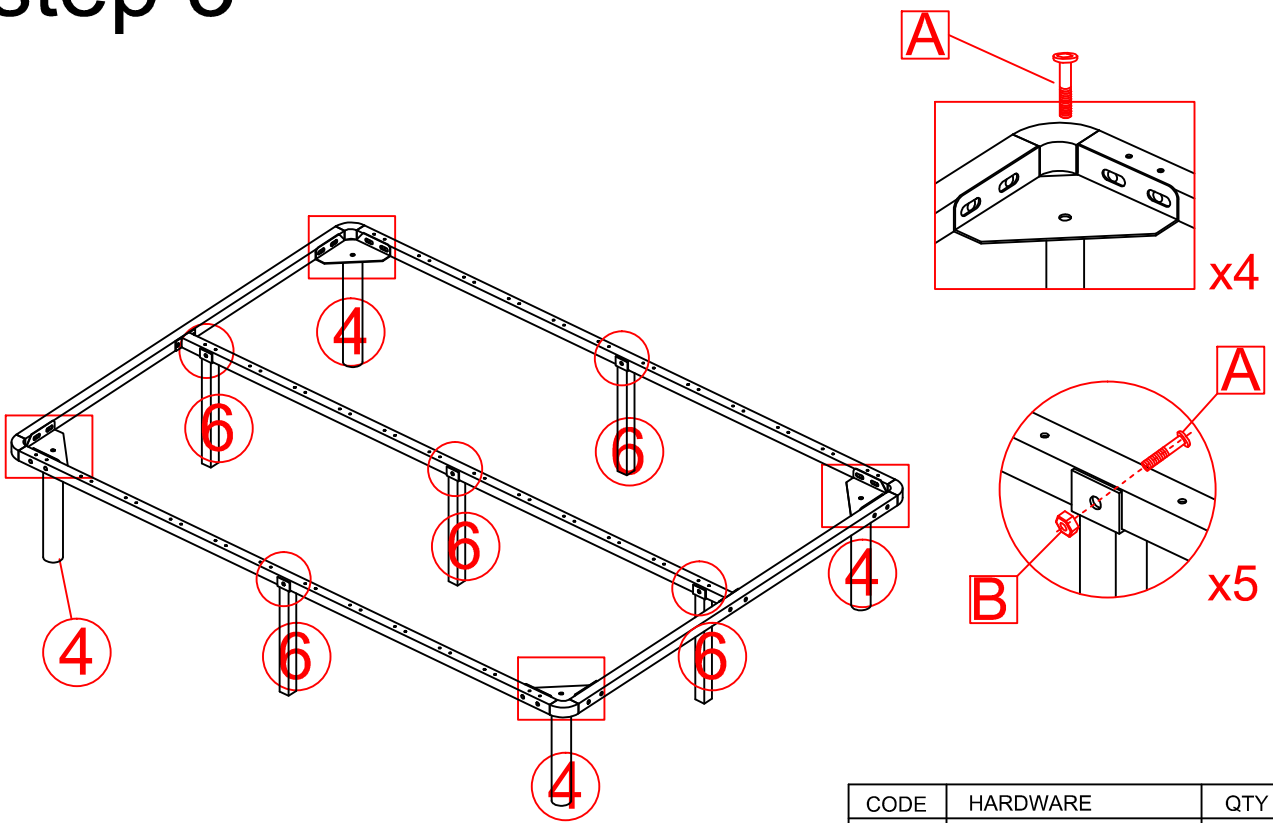
CODE	HARDWARE	QTY
A	 M8X40	16
B		16
C		4

step 2



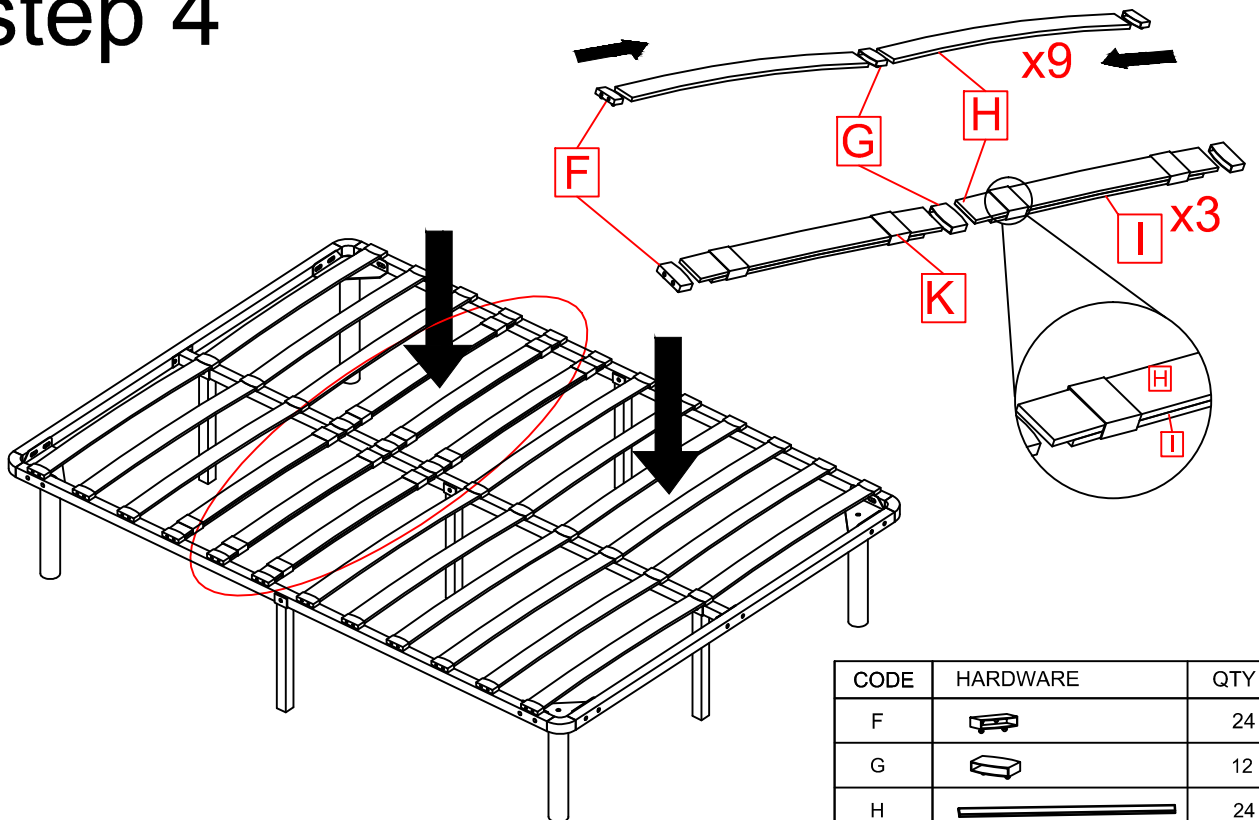
CODE	HARDWARE	QTY
A	 M8X40	4
B		4

step 3



CODE	HARDWARE	QTY
A	M8X40	9
B		5

step 4



CODE	HARDWARE	QTY
F		24
G		12
H		24
I		6
K		12