

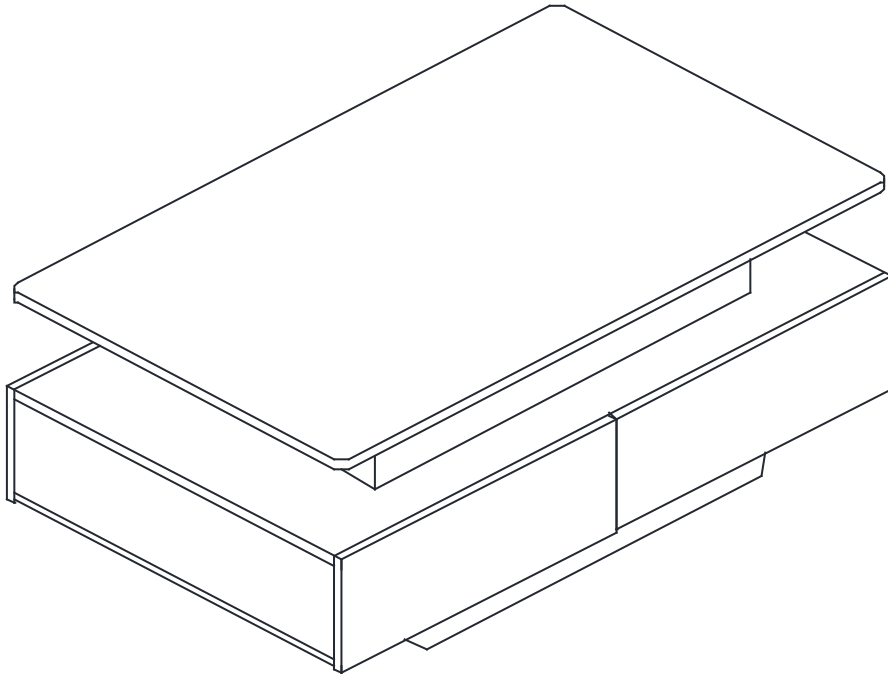
# ASSEMBLY INSTRUCTIONS

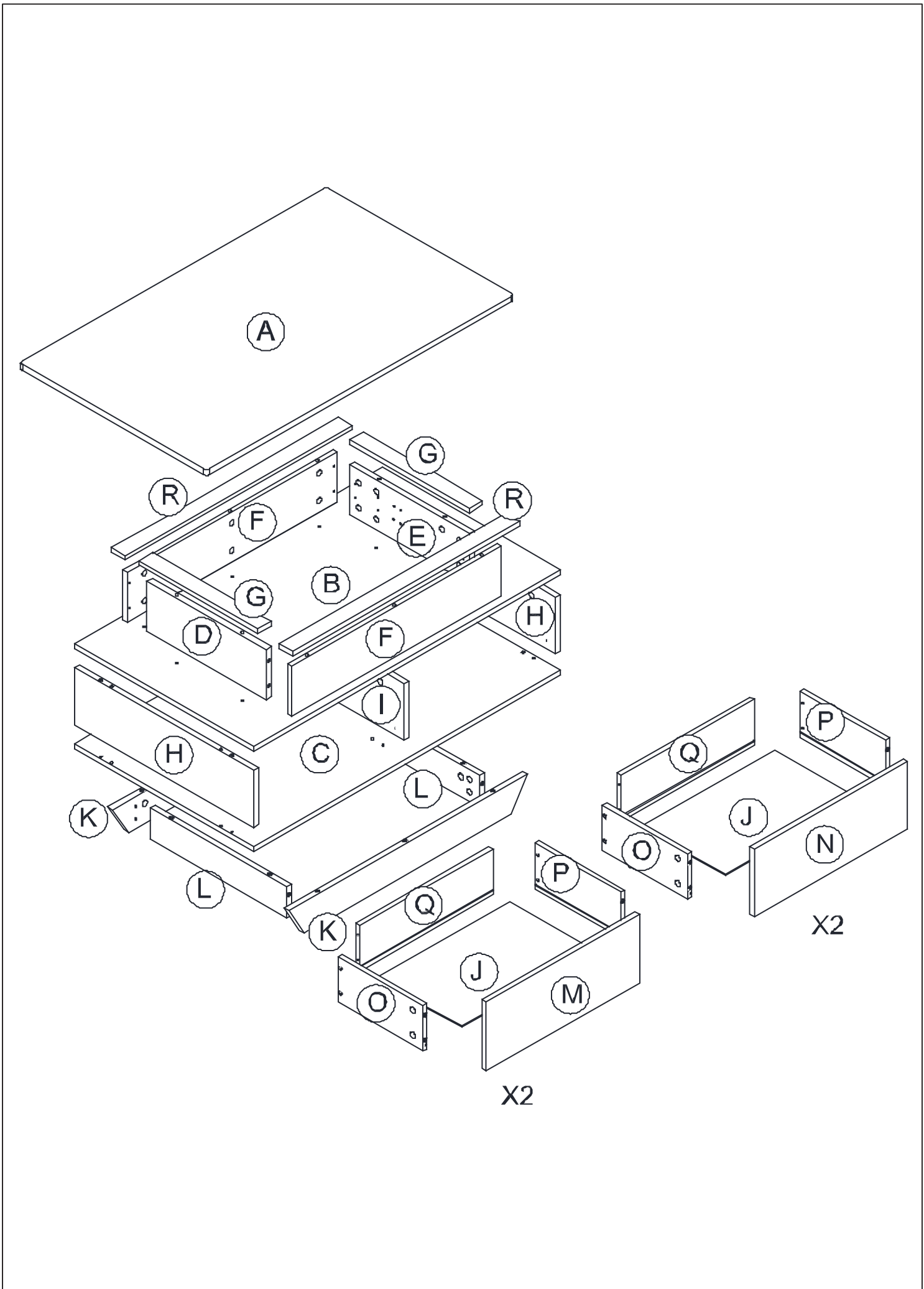
---

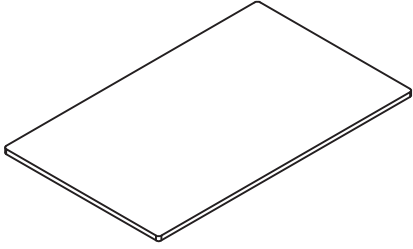
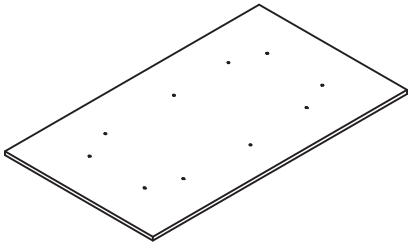
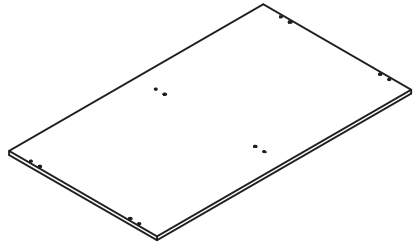
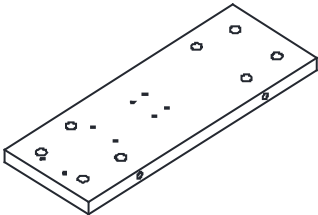
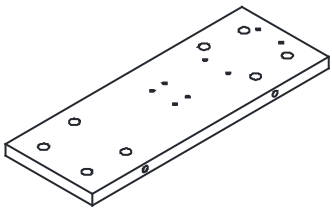
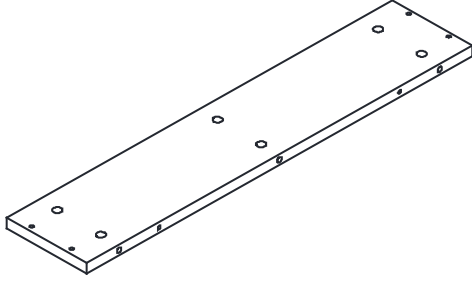
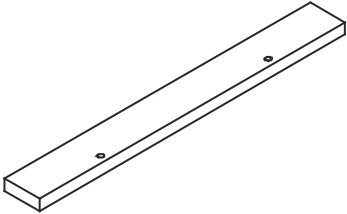
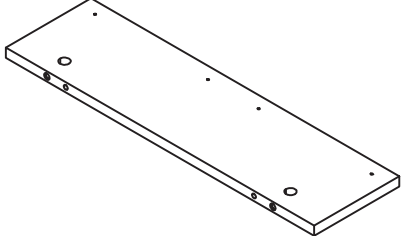
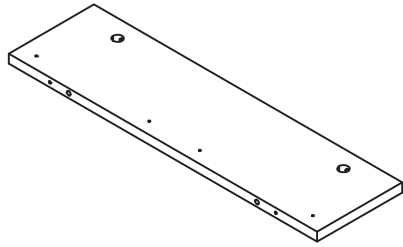
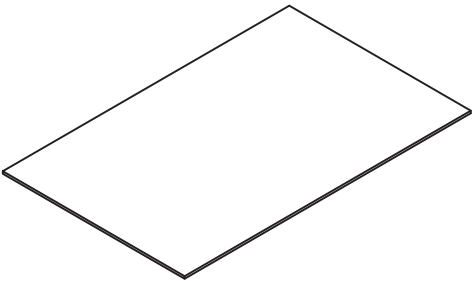
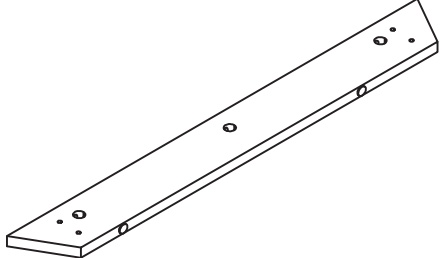
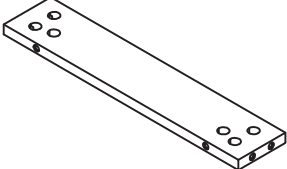
YDMY-V2

FTLFCT-6055

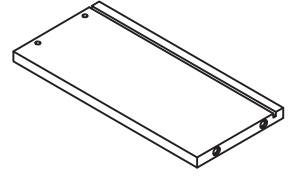
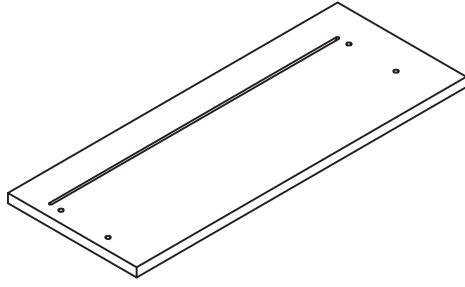
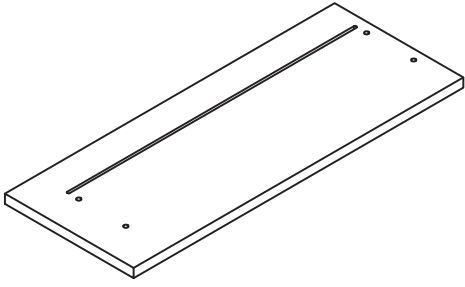
FTLFCT-6056



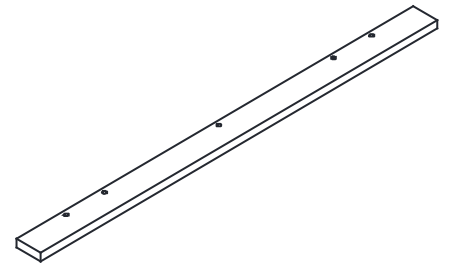
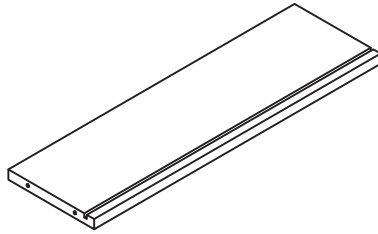
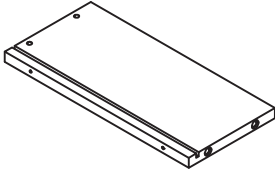


<p>A x1</p> 	<p>B x1</p> 	<p>C x1</p> 
<p>D x1</p> 	<p>E x1</p> 	<p>F x2</p> 
<p>G x2</p> 	<p>H x2</p> 	<p>I x1</p> 
<p>J x4</p> 	<p>K x2</p> 	<p>L x2</p> 

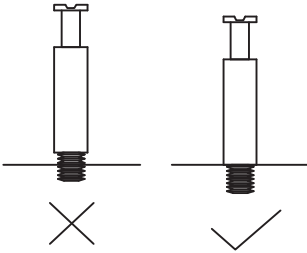
M x2      N x2      O x4



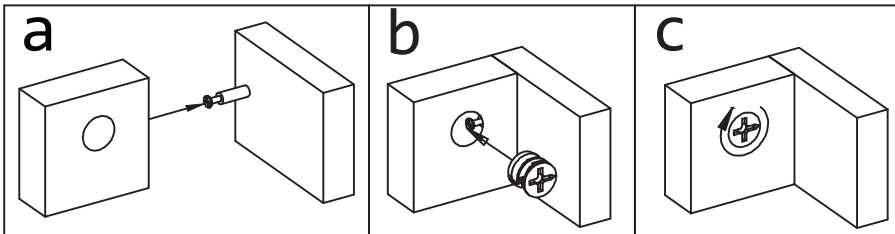
P x4      Q x4      R x2

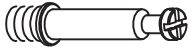

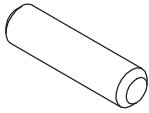

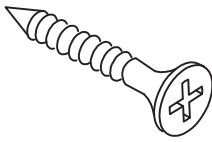
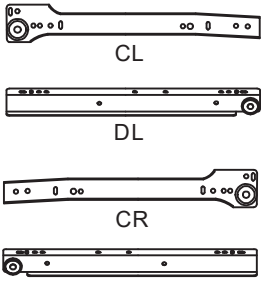

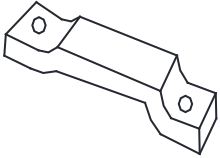

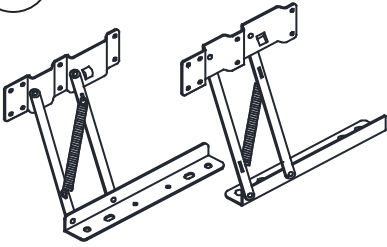



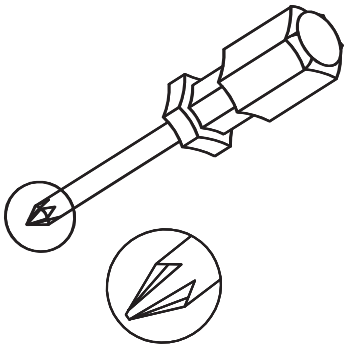
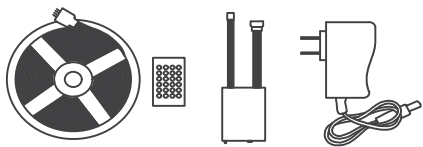


Make sure the pins are installed correctly as shown with the "check mark" below

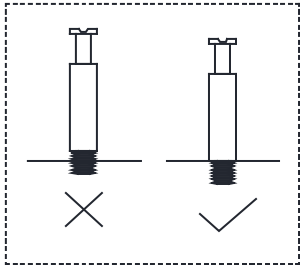
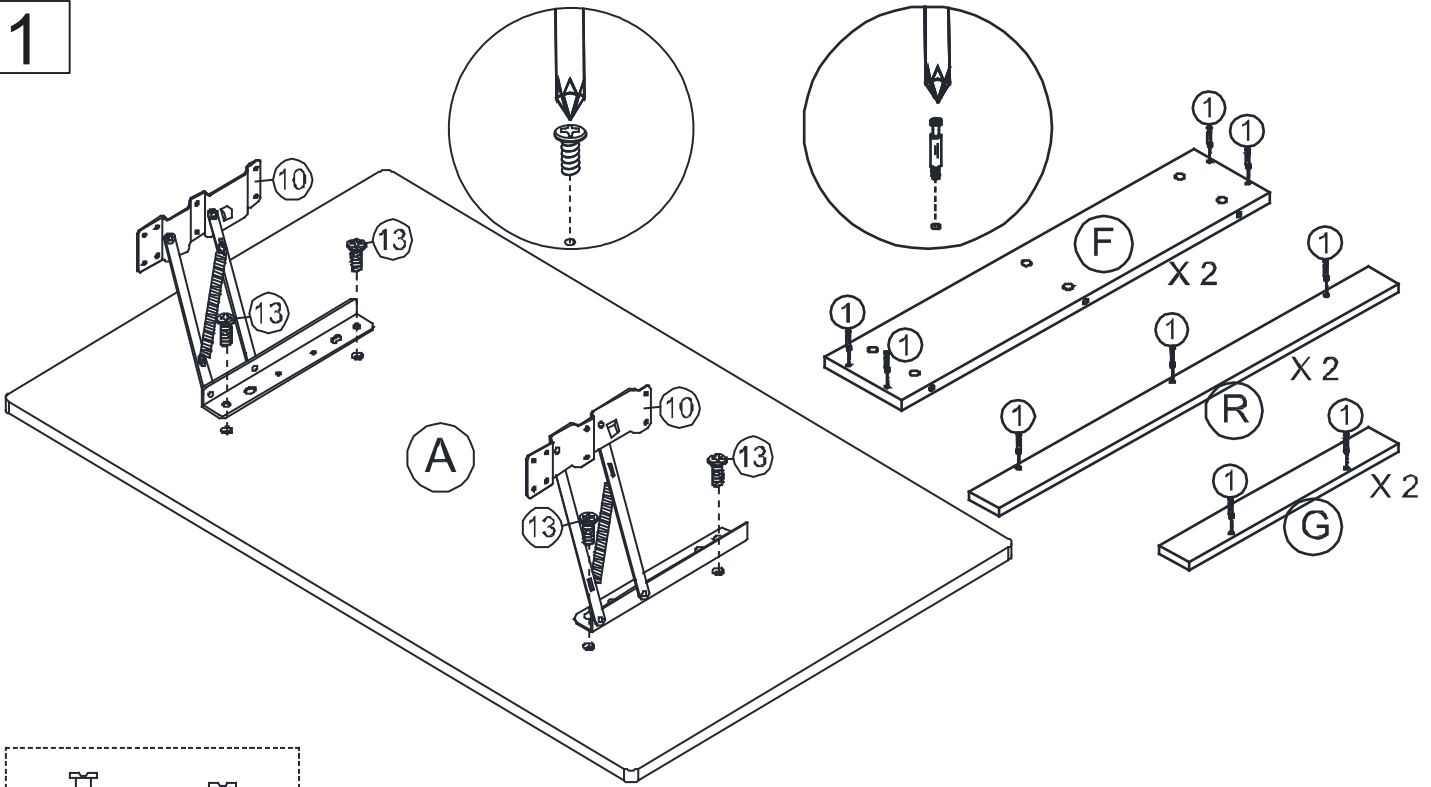


Below shows how the pins are used to assemble the panels together.



<p>①</p>  <p>Qty:68</p>	<p>②</p>  <p>Qty:68</p>	<p>③</p>  <p>Qty:12</p>
<p>④</p>  <p>Qty:32</p>	<p>⑤</p>  <p>Qty:22</p>	<p>⑥</p>  <p>Qty:4</p>
<p>⑦</p>  <p>Qty:16</p>	<p>⑧</p>  <p>Qty:4</p>	<p>⑨</p>  <p>Qty:8</p>
<p>⑩</p>  <p>Qty:1</p>	<p>⑪</p>  <p>Qty:16</p>	<p>⑫</p>  <p>Qty:4</p>
<p>⑬</p>  <p>Qty:4</p>	 <p>Qty:1</p>	

1

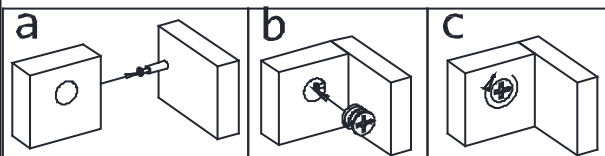
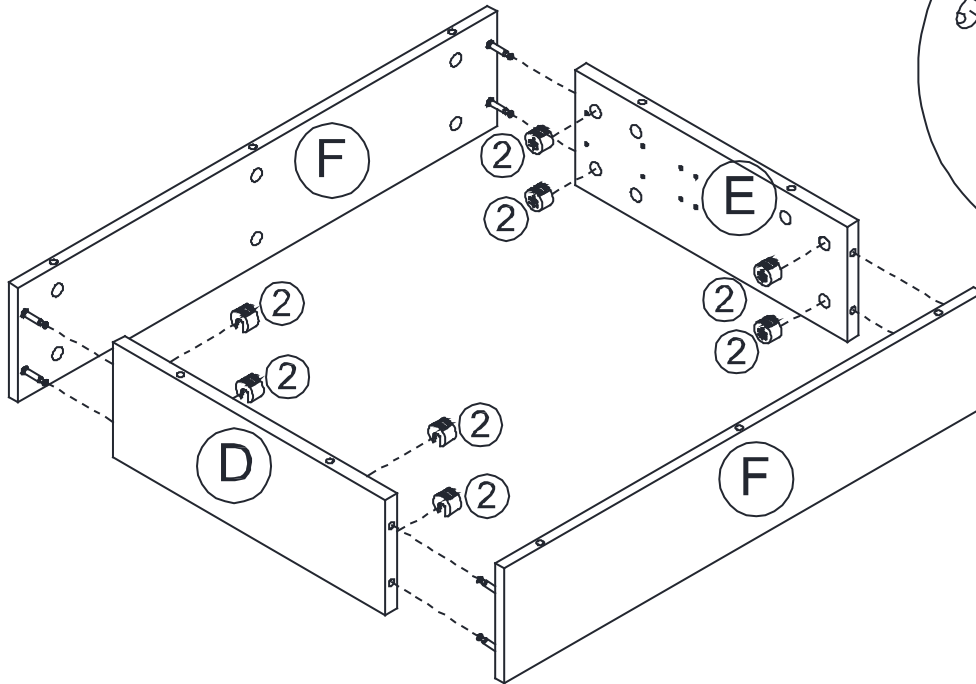


(F)		X 2
(R)		X 2
(G)		X 2

(A)		X 1
-----	--	-----

(10)		X 1
(13)		X 4
(1)		X 18

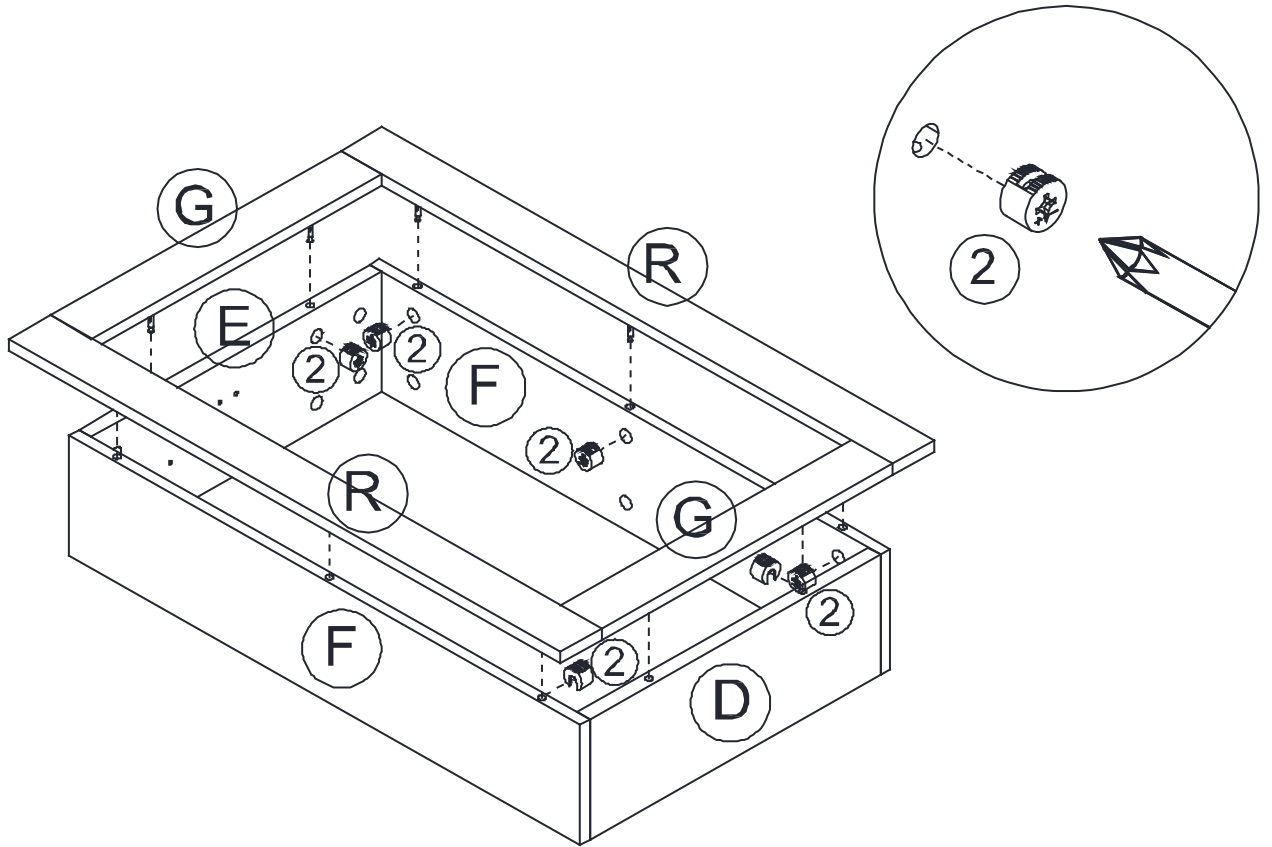
2





(F)		X 2
(D)		X 1
(E)		X 1

(2)		X 8
-----	--	-----

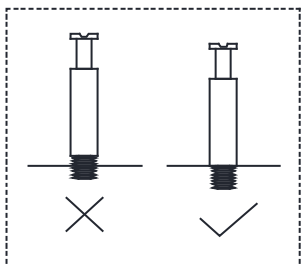
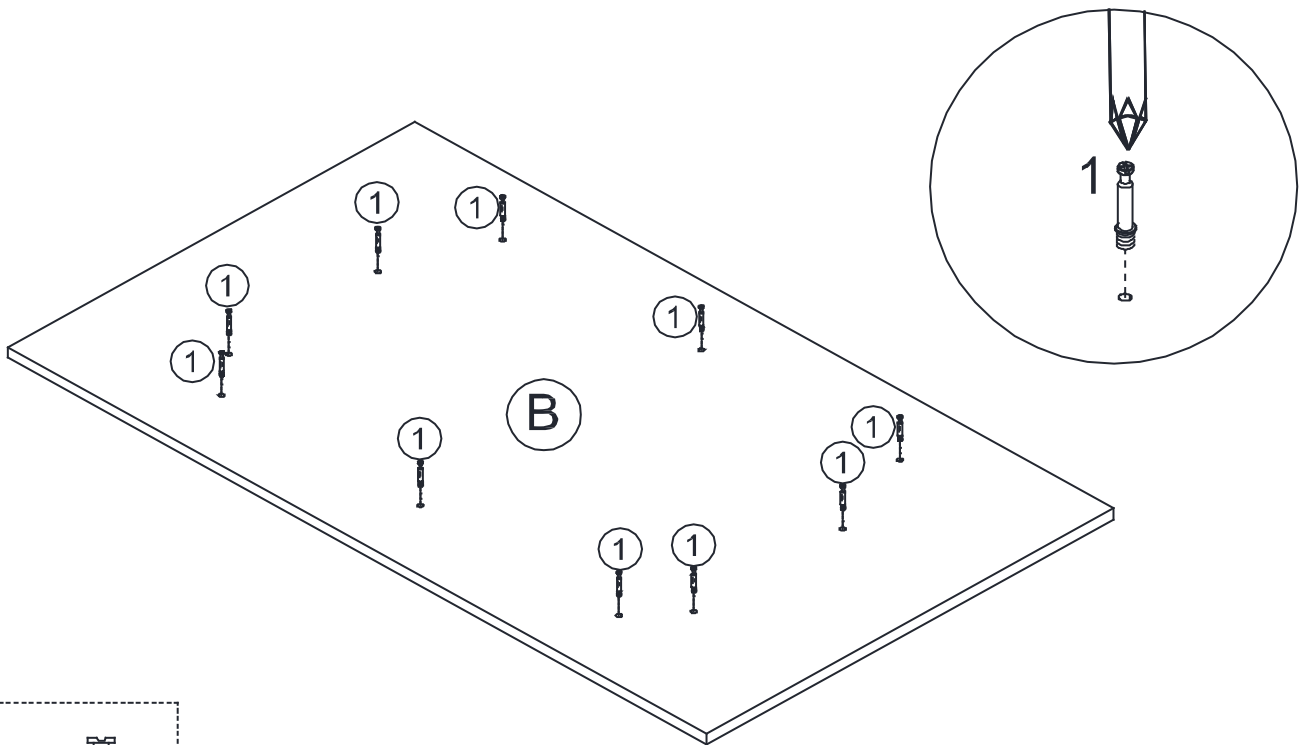
3




(R)		X 2
(G)		X 2

(2)		X 10
-----	---	------

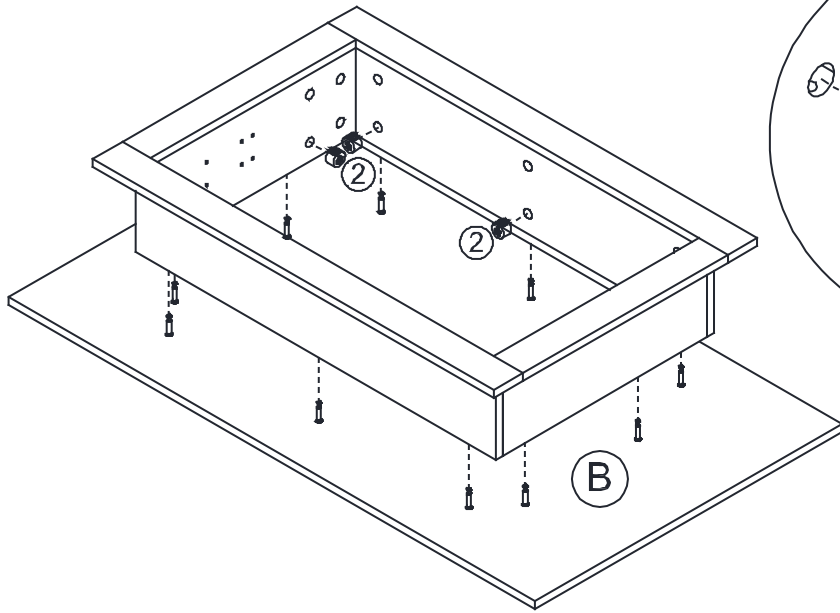
4



(B)		X 1
-----	---	-----

(1)		X 10
-----	---	------

5



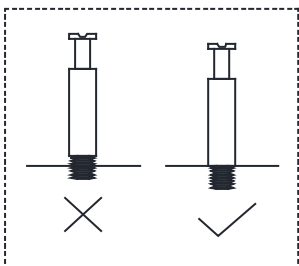
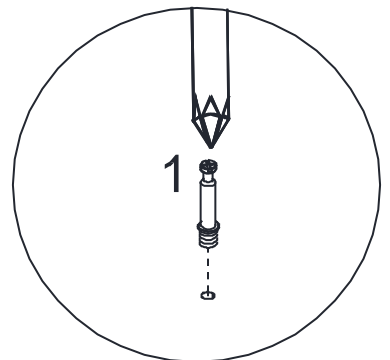
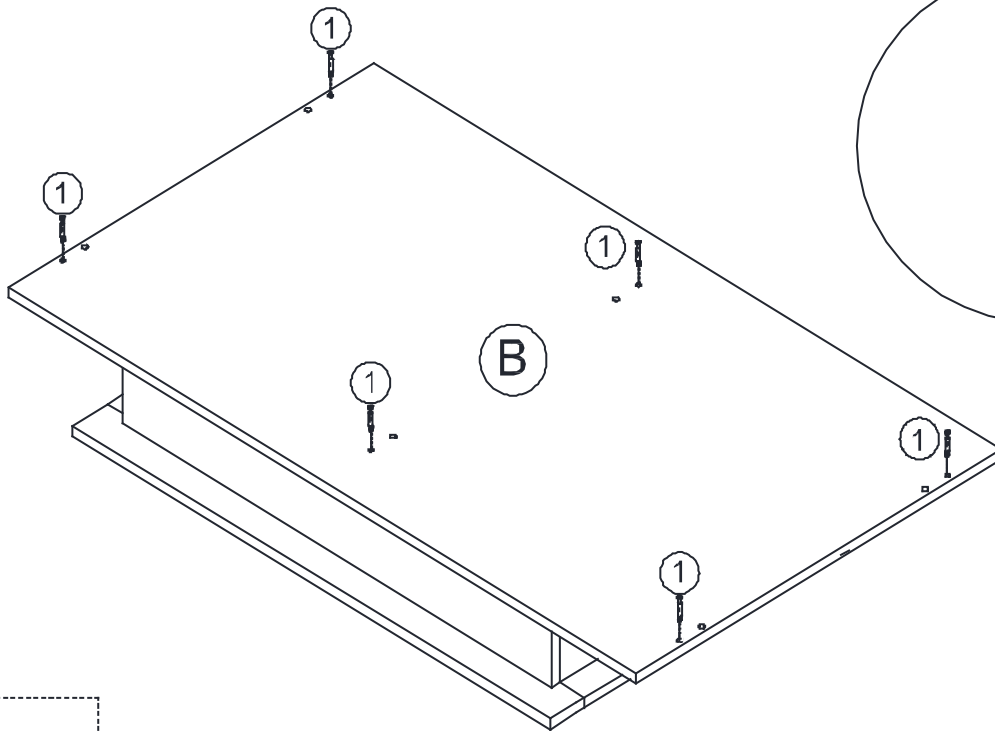
Combine step 3 with step 4

2



X 10

6

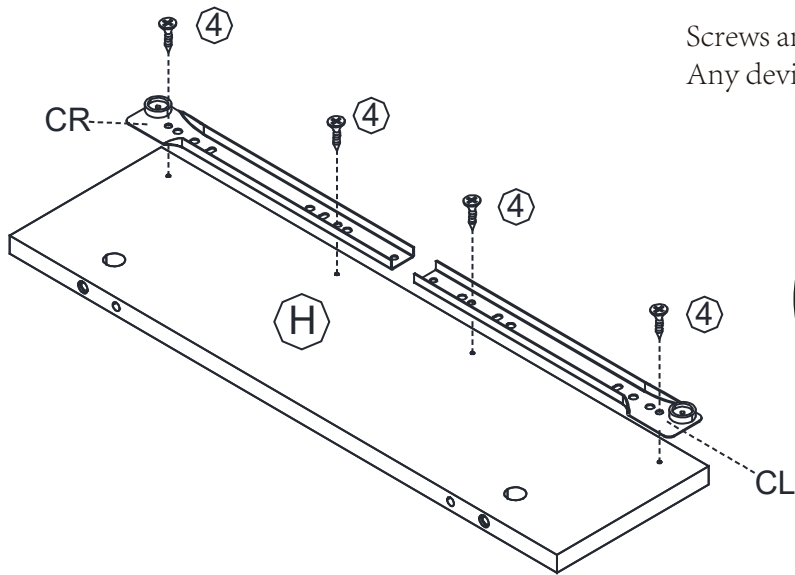
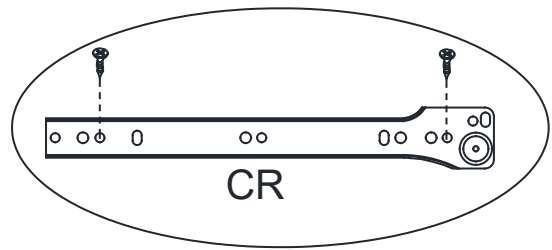
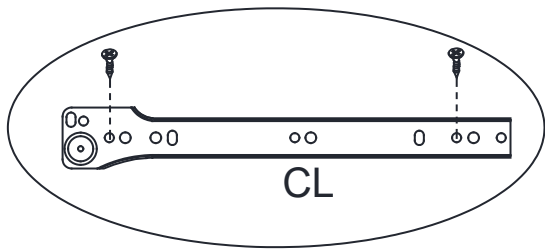


1

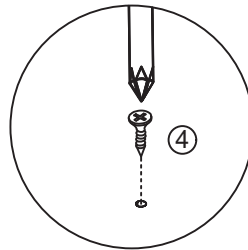


X 6

7



Screws and rails should be driven down straight.  
Any deviation may result in uneven drawer installation.

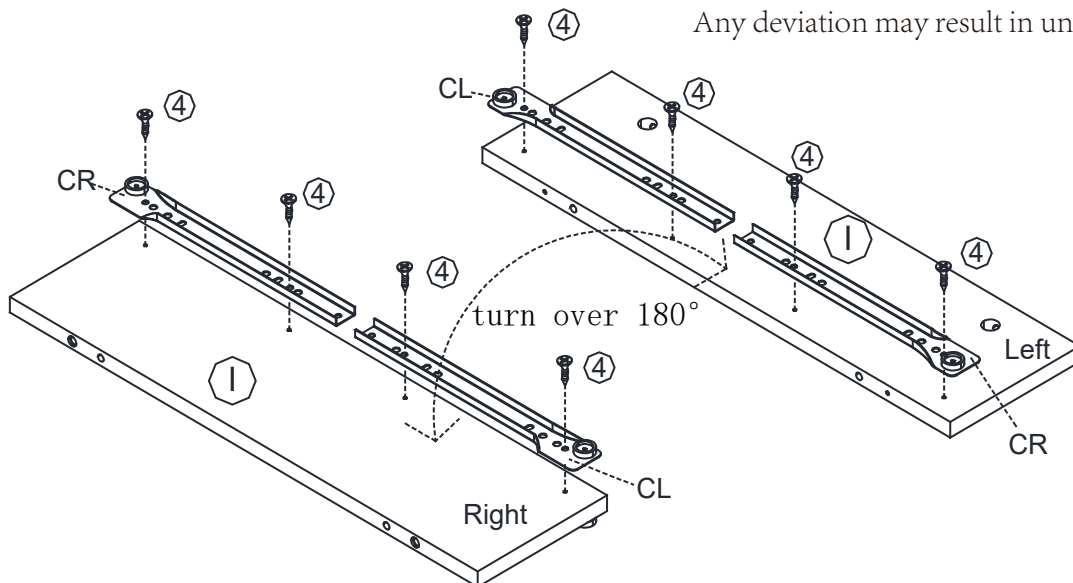
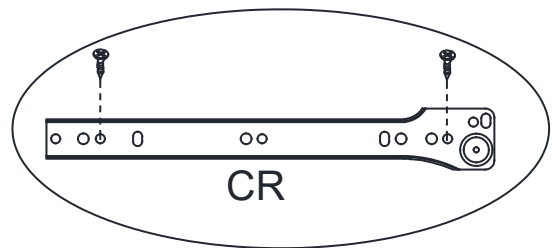
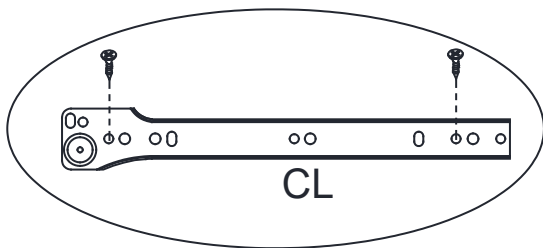


X2



CR		X 2
CL		X 2
(4)		X 8

8

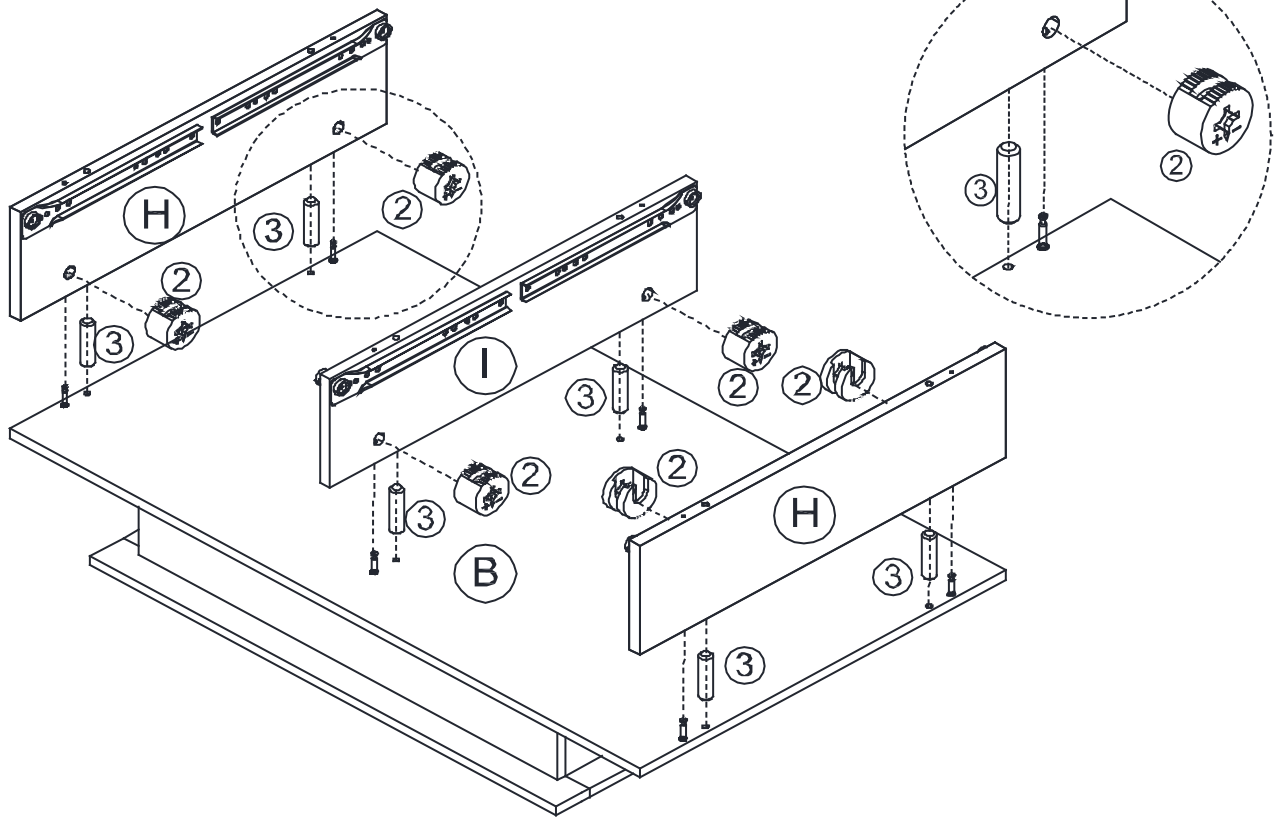




Screws and rails should be driven down straight.  
Any deviation may result in uneven drawer installation.



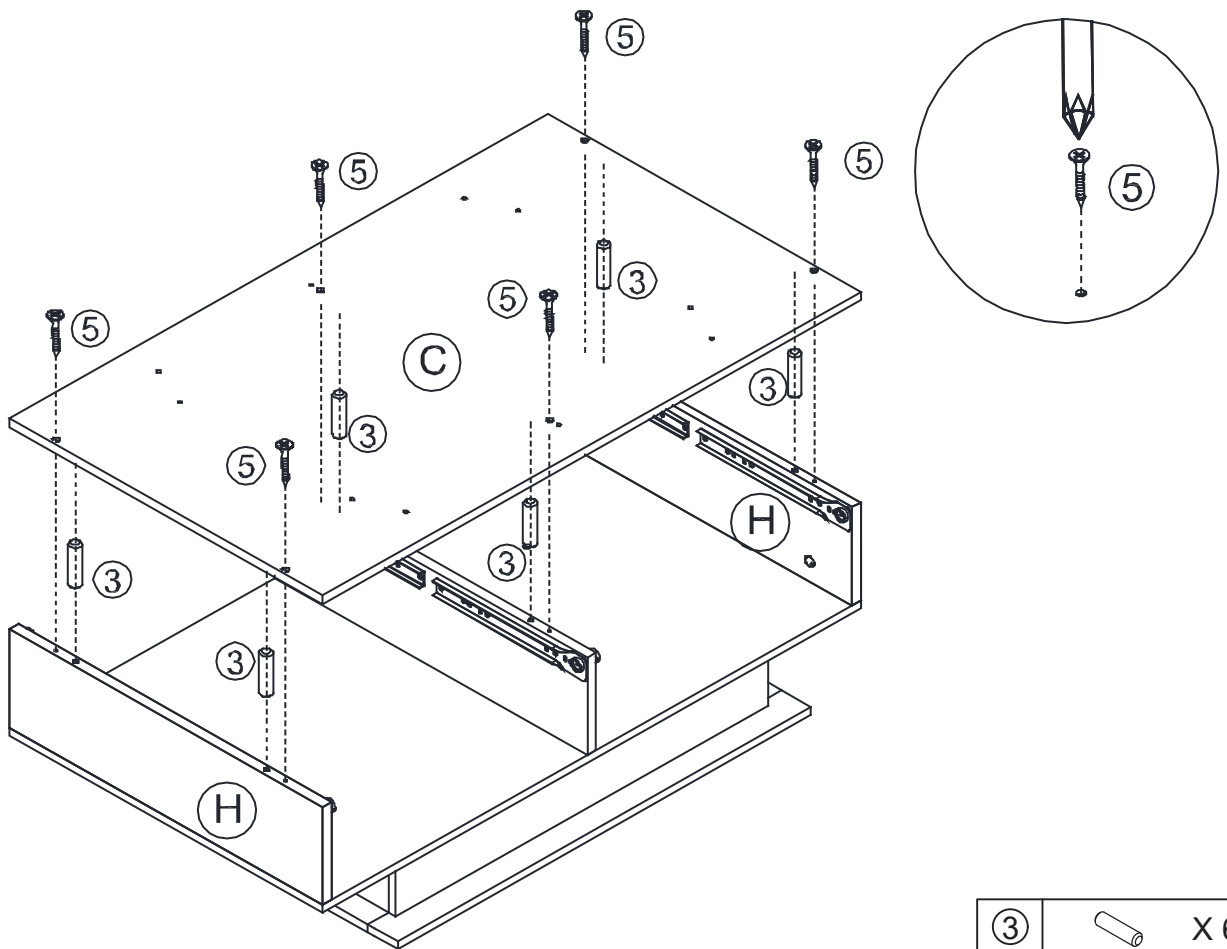
CR		X 2
CL		X 2
(4)		X 8

9





②		X 6
③		X 6

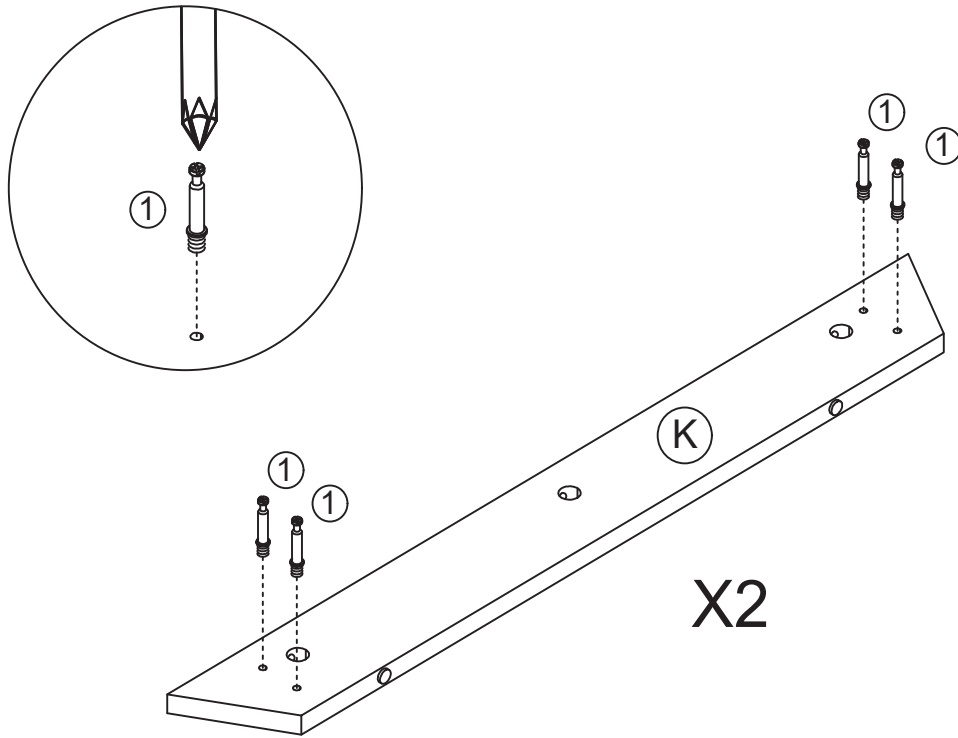
10





③		X 6
⑤		X 6

③		X 6
⑤		X 6

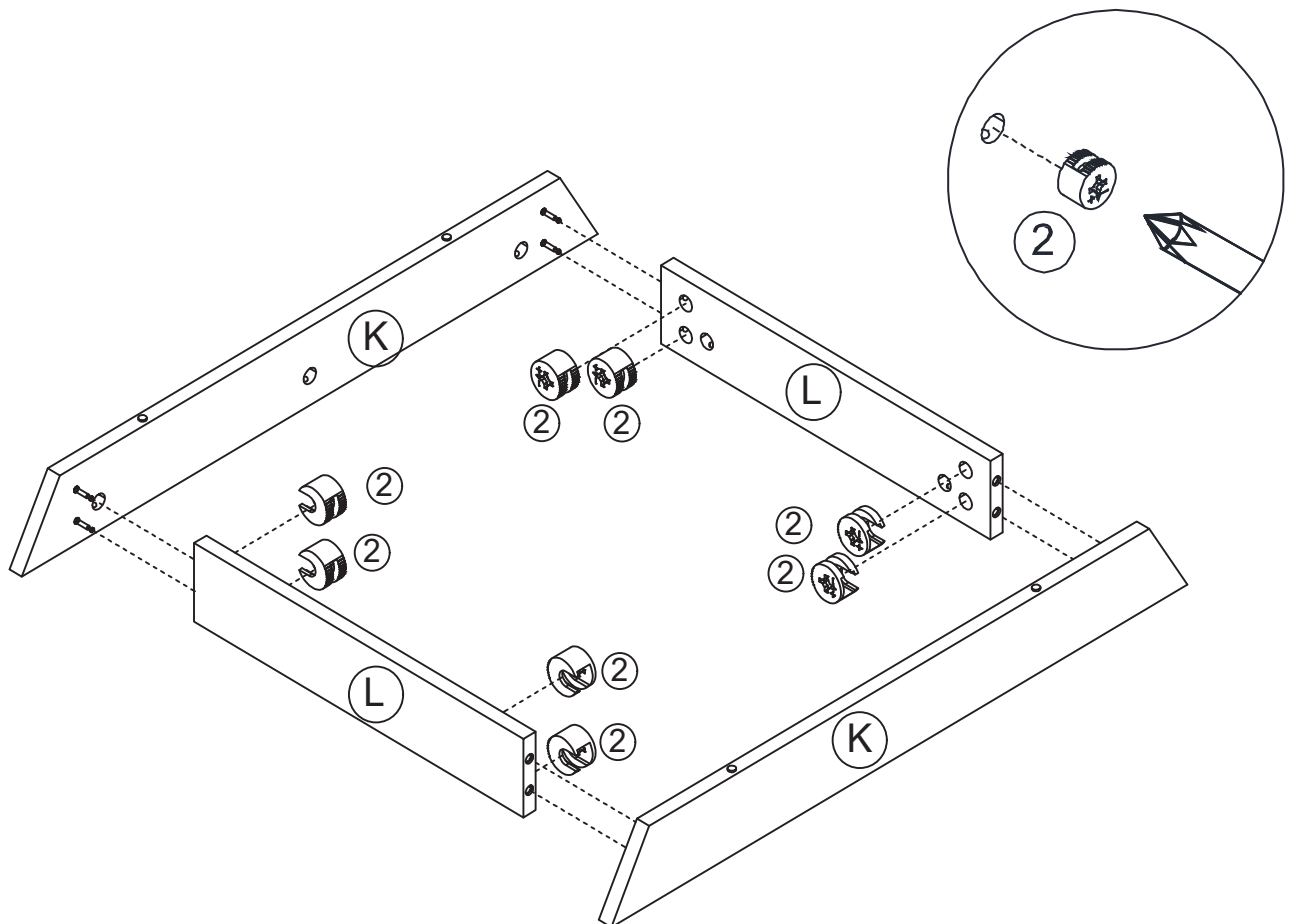
11



(K)  X 2

(1)  X 8

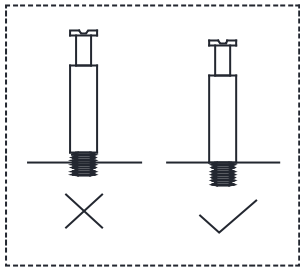
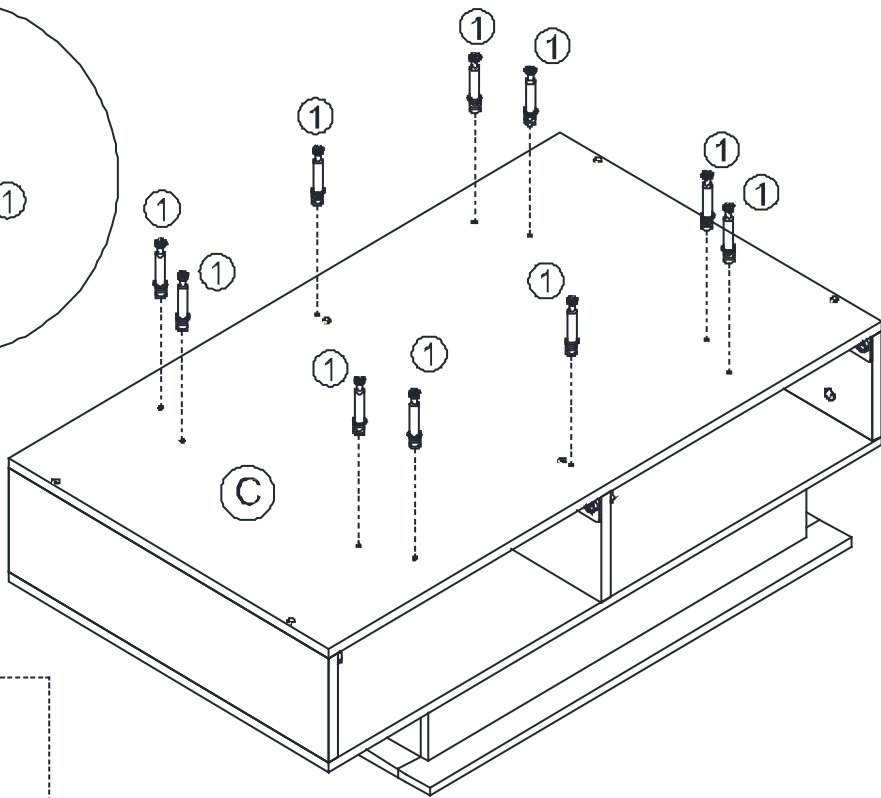
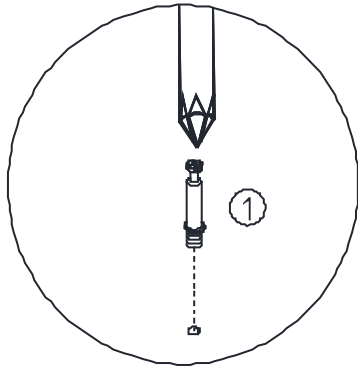
12




(L)  X 2

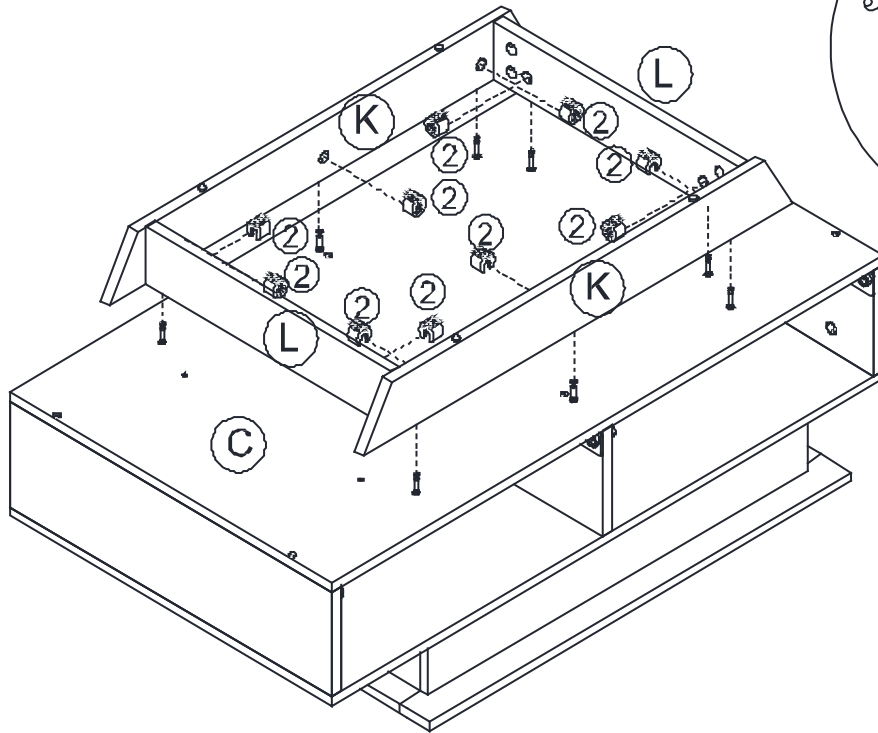
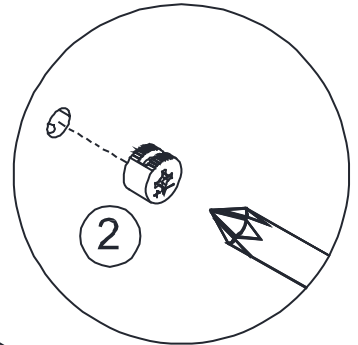
(2)  X 8

13



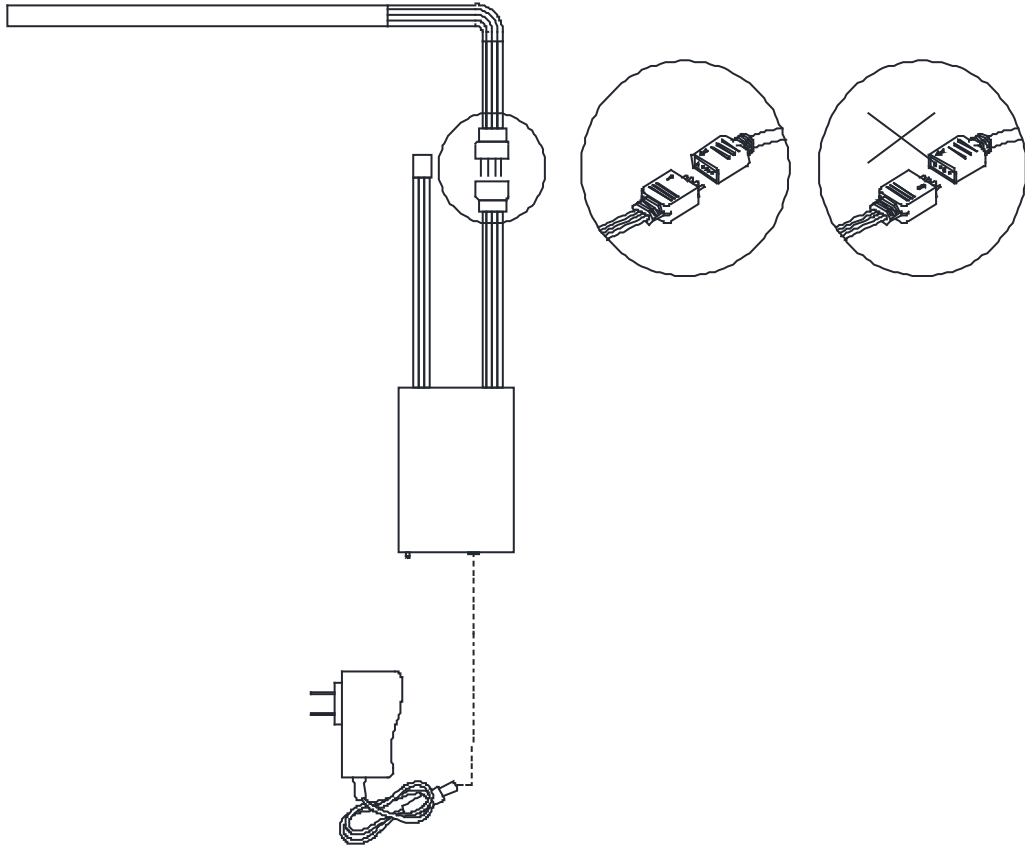
①  X 10

14



②  X 10

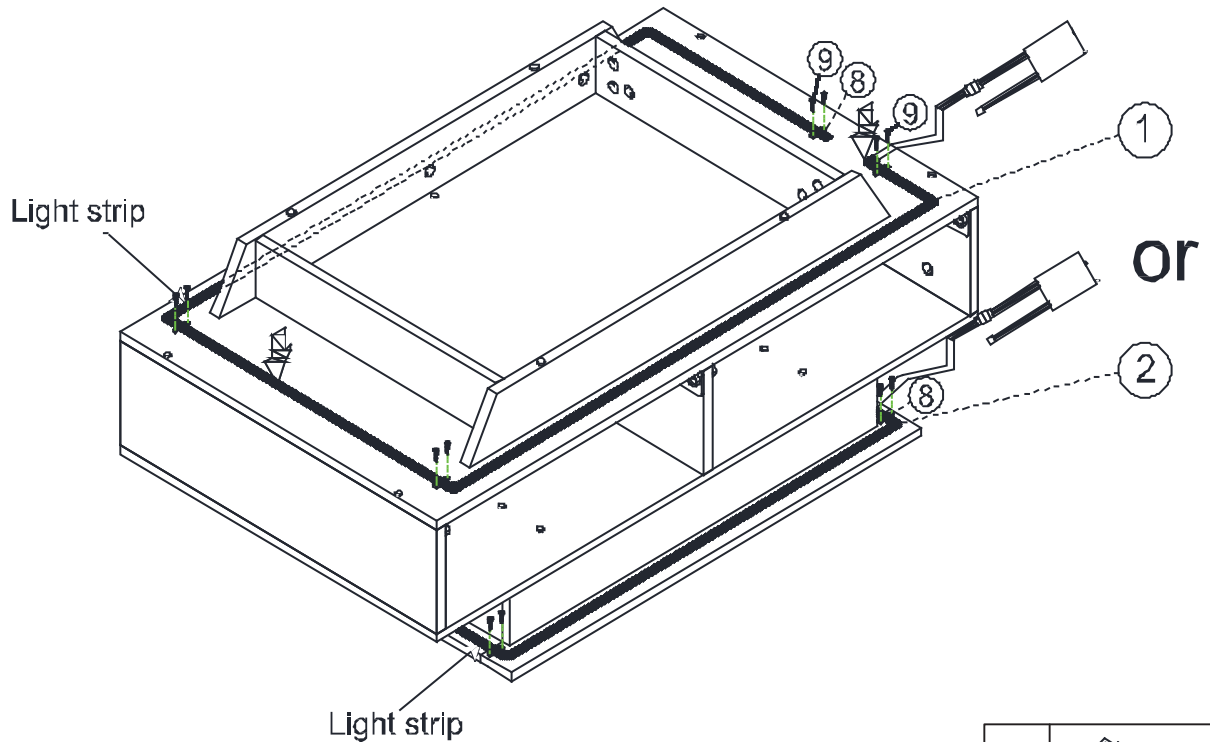
15





for American Standard

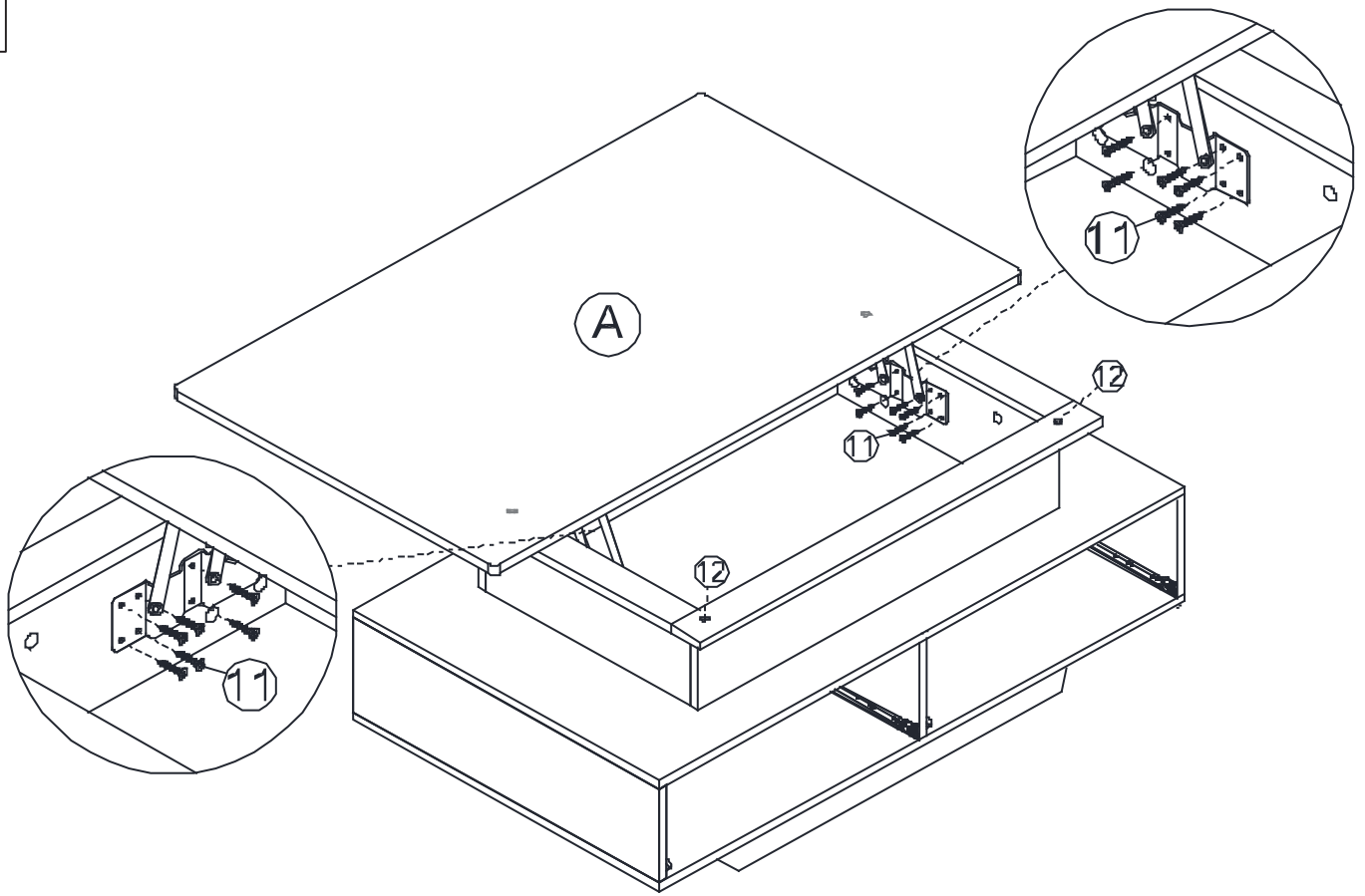
16



The part ⑧ can be adjusted to the desired fixation position.



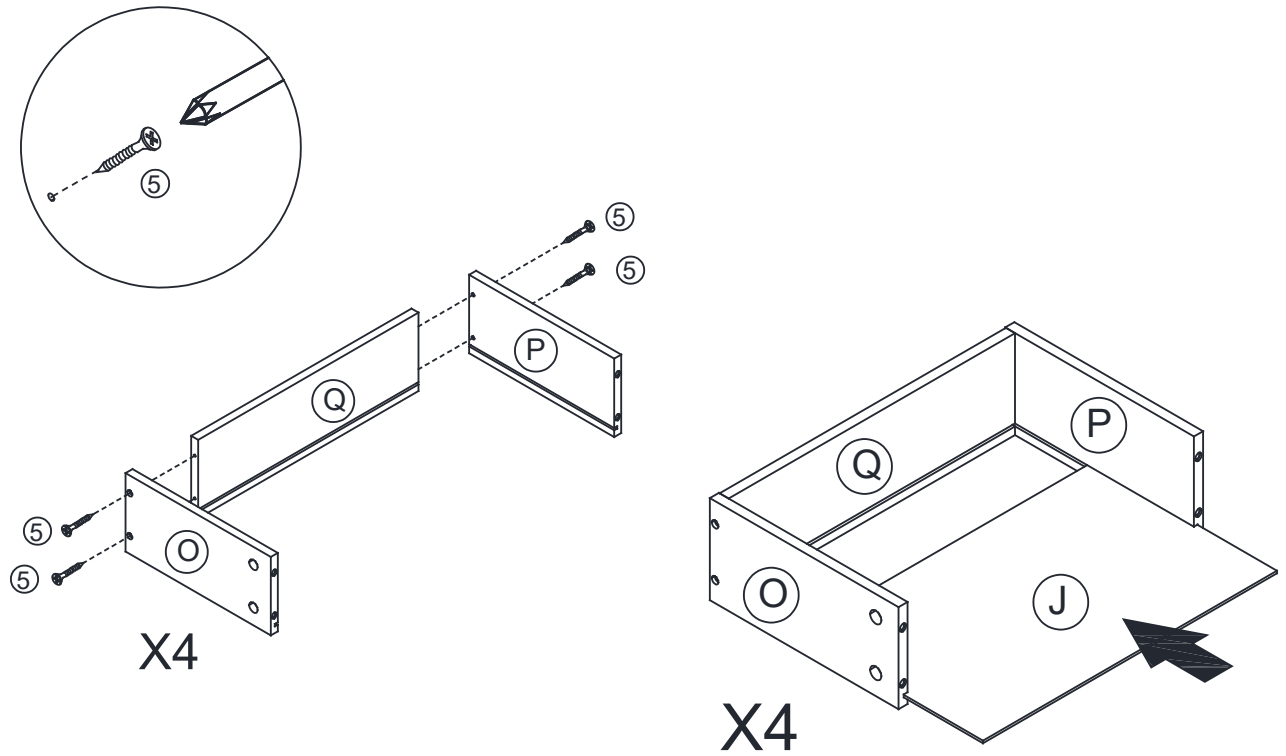
⑧		X 4
⑨		X 8





17



12		X 4
11		X 16

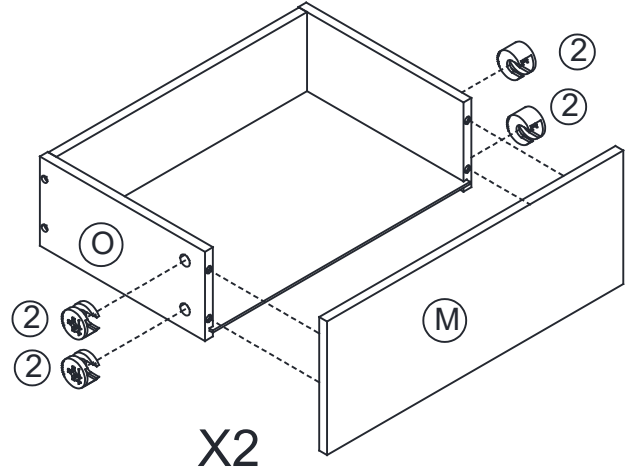
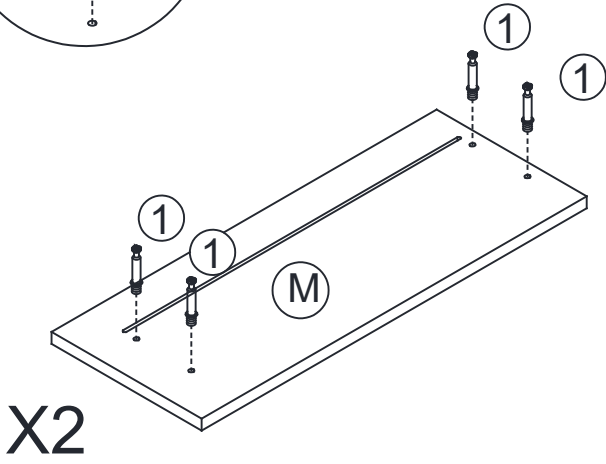
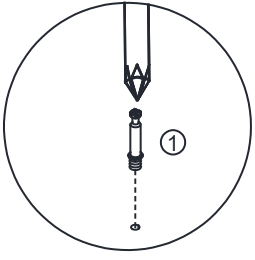
18



○		X 4	○		X 4
○		X 4	○		X 4

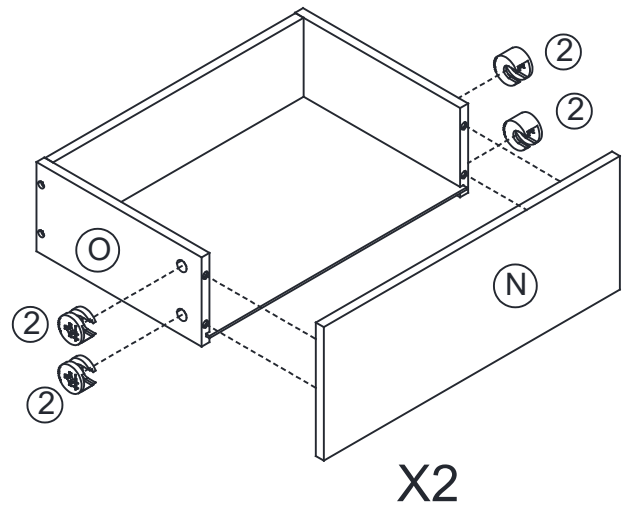
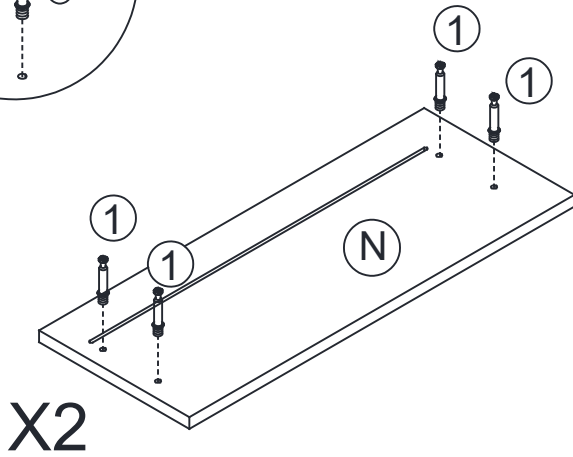
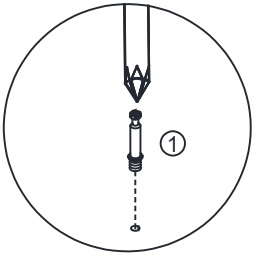
5		X 16
---	---	------

19



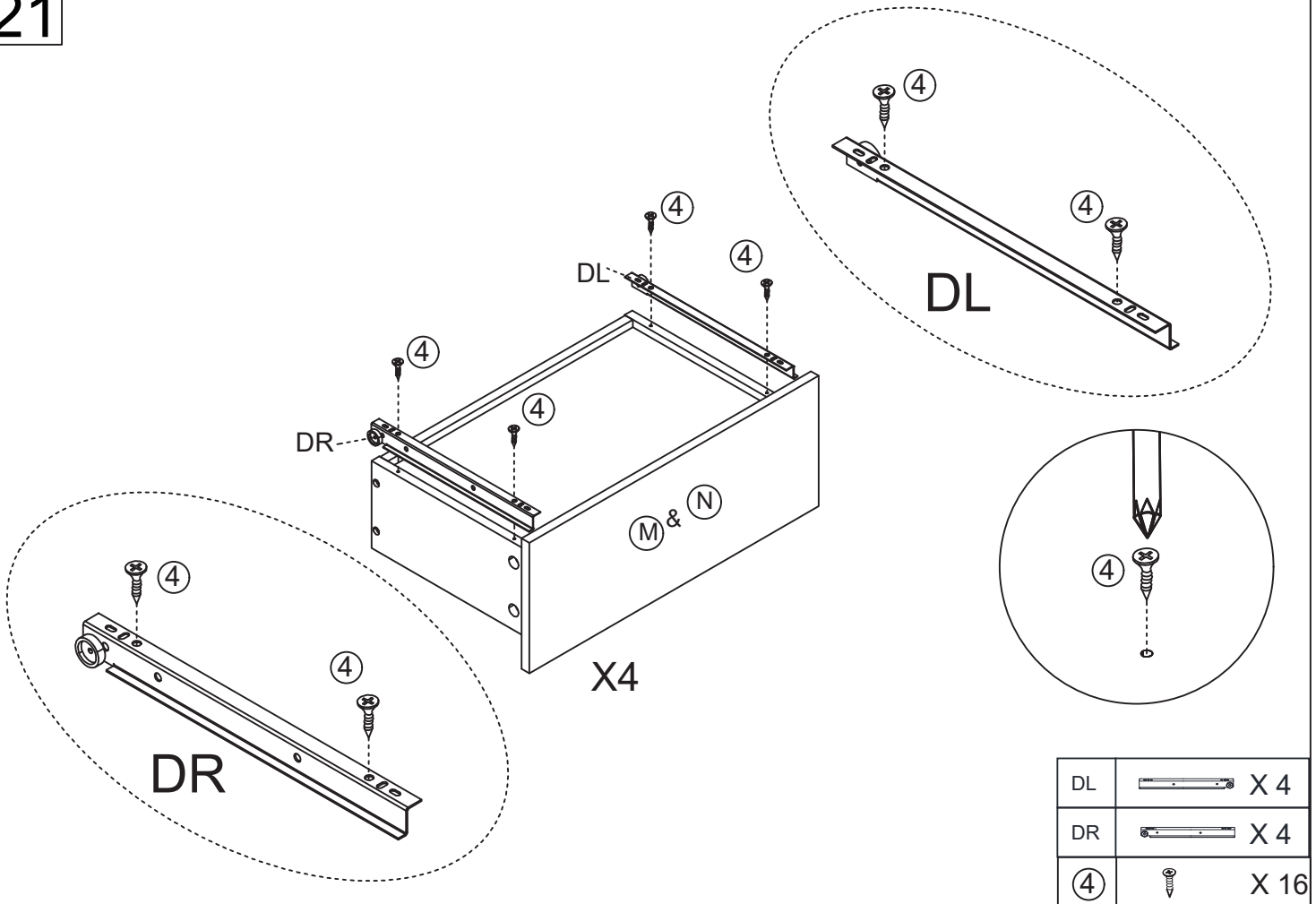
②		X 8
①		X 8

20

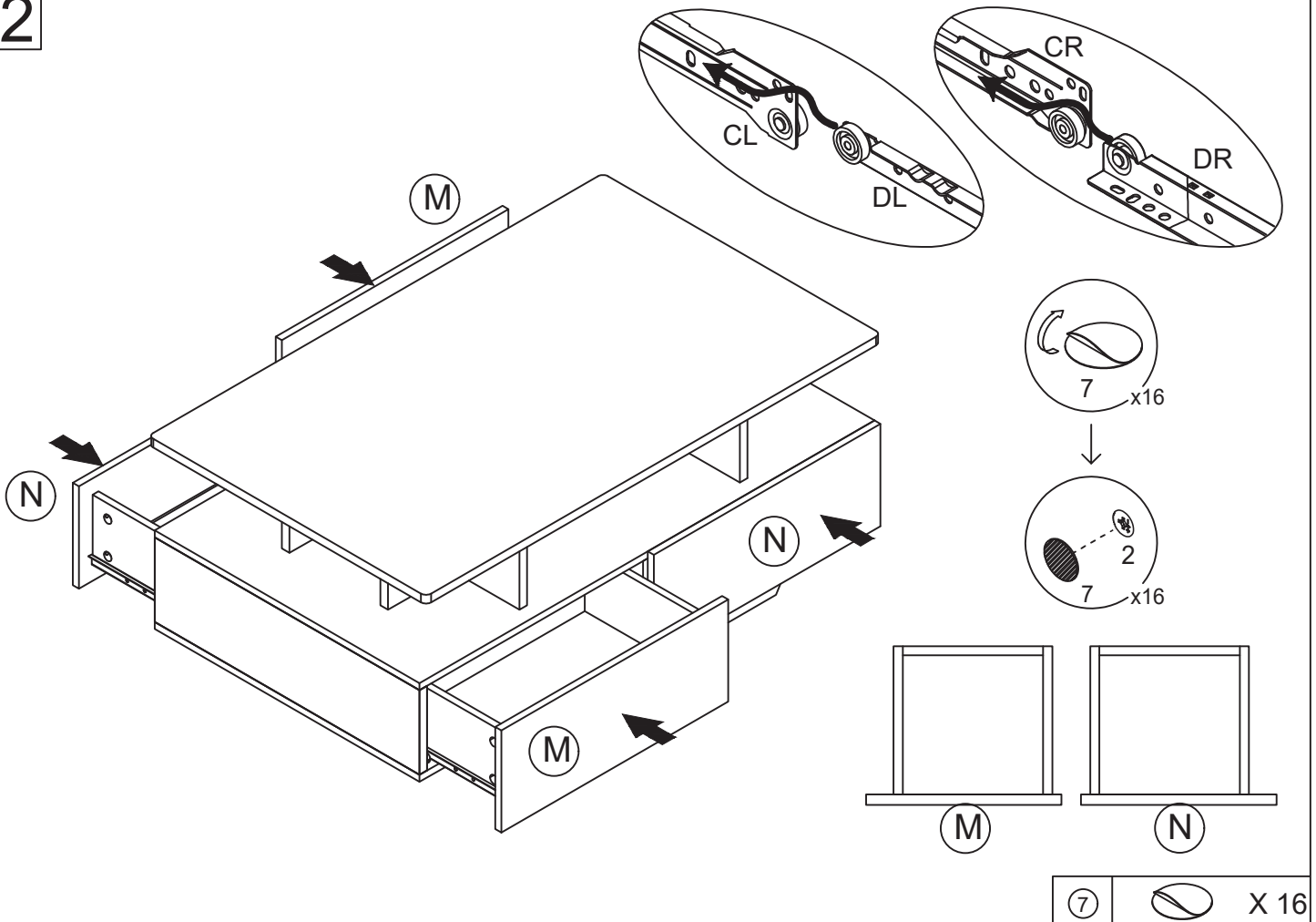


②		X 8
①		X 8

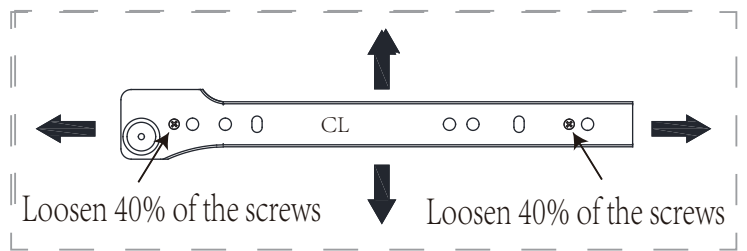
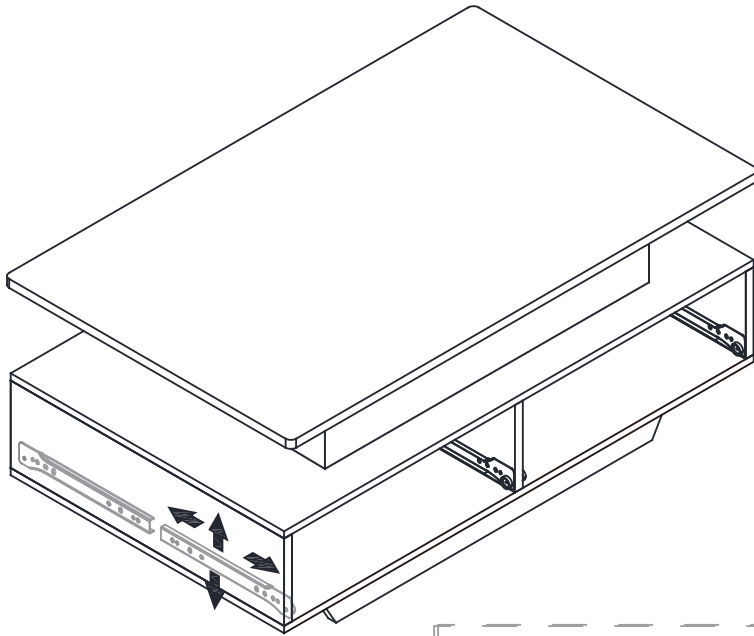
21



22

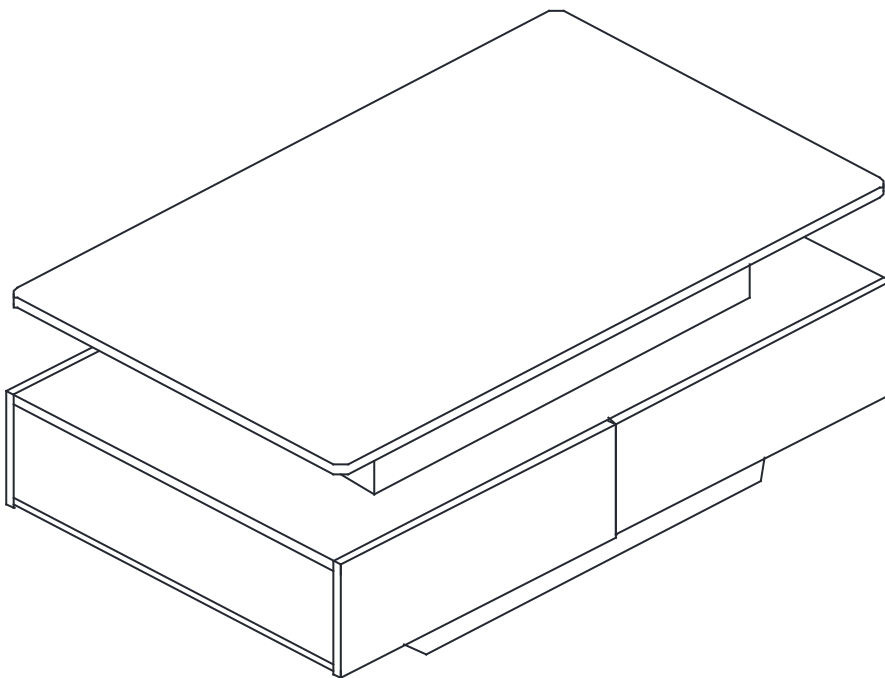


23



For uneven drawers: Remove uneven drawers and loosen screws on CL/CR rails.  
Adjust CL/CR rails slightly up, down, forward, or backward. Then tighten the screws to level the drawer.

24



Installation Completed