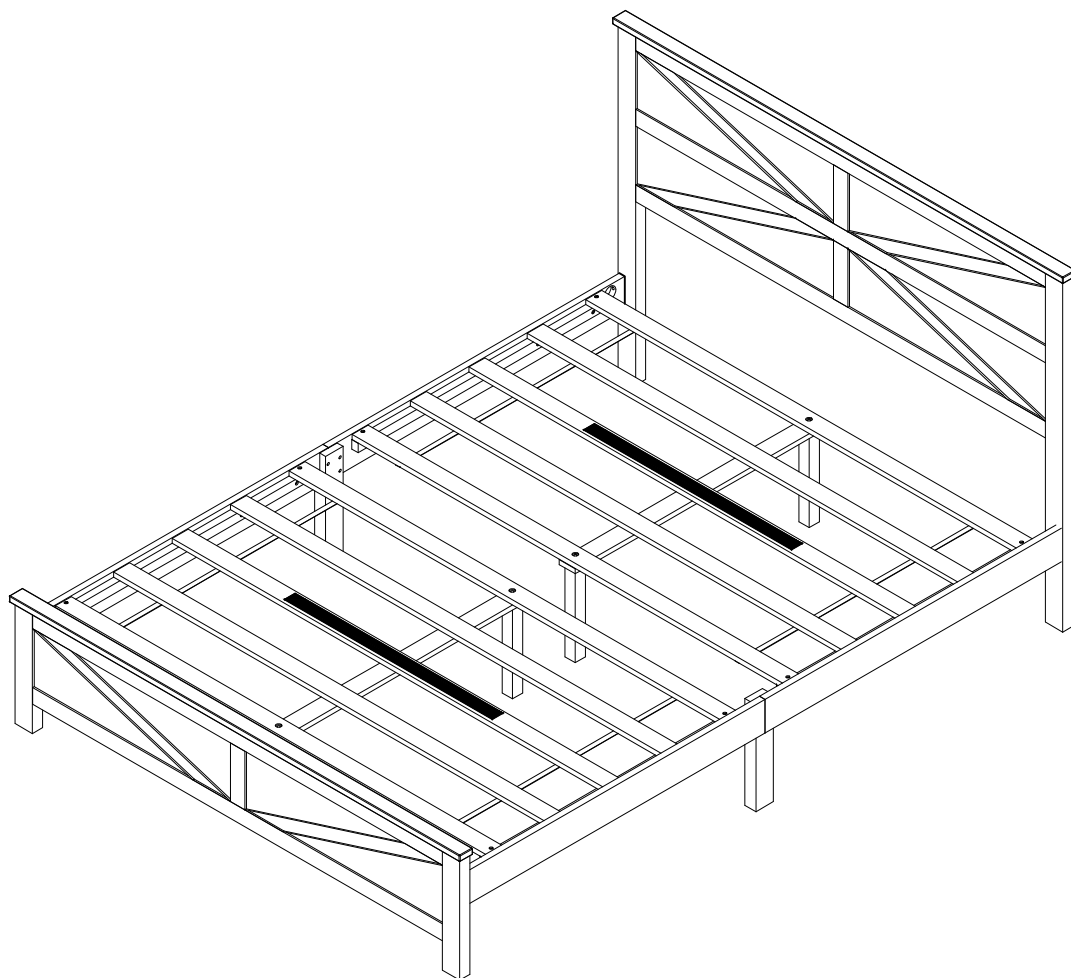


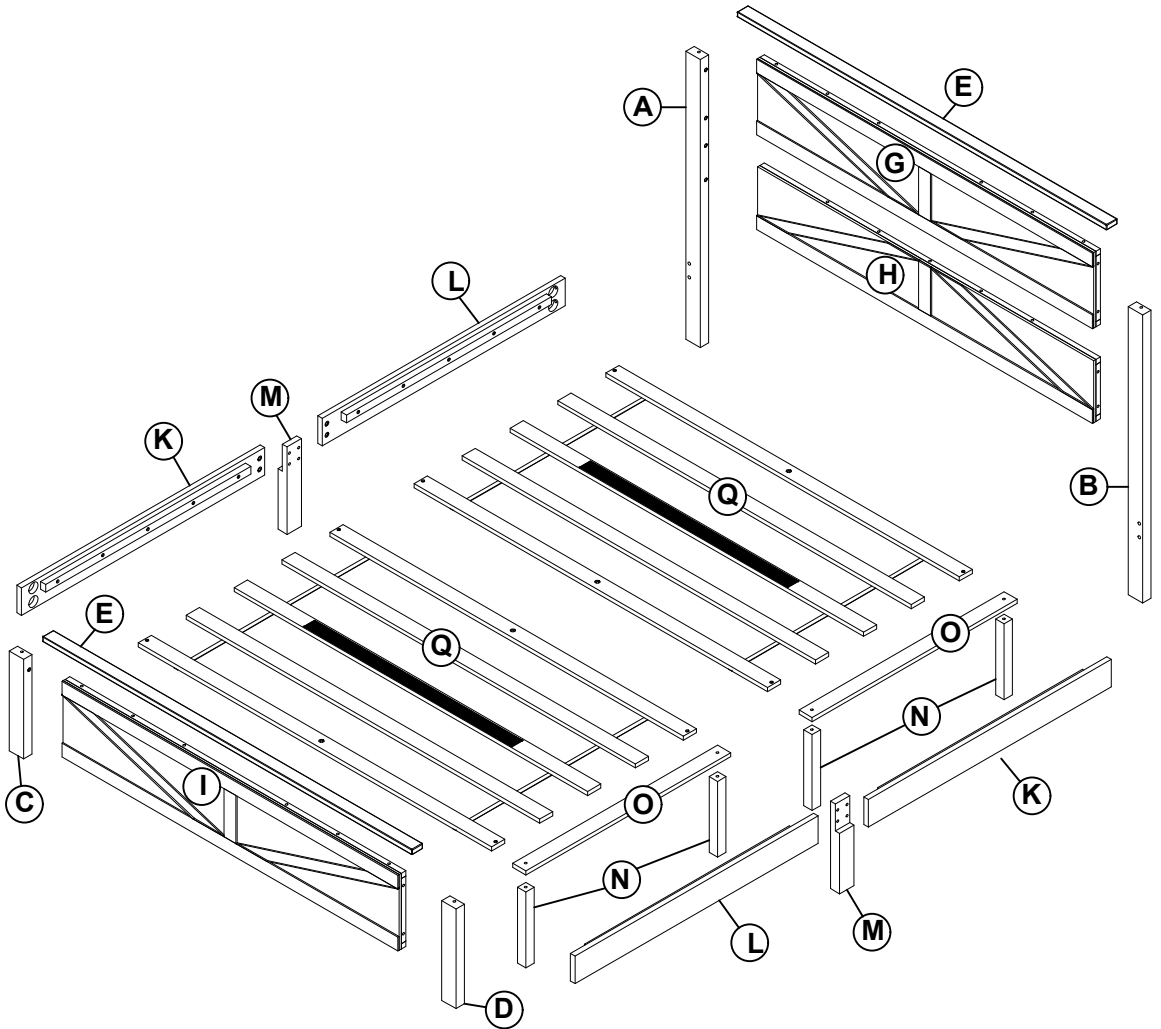
# ASSEMBLY INSTRUCTIONS

## QUEEN BED


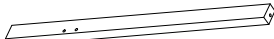




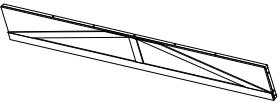
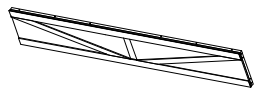
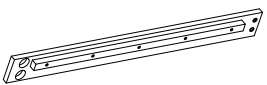
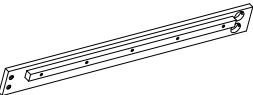


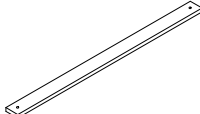



SD33030

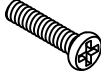




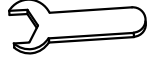

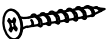

# Detail View



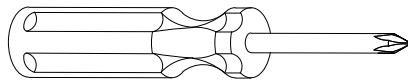
# Part List

<b>A</b>  1PC	<b>B</b>  1PC	<b>C</b>  1PC
<b>D</b>  1PC	<b>E</b>  2PCS	<b>G</b>  1PC
<b>H</b>  1PC	<b>I</b>  1PC	<b>K</b>  2PCS
<b>L</b>  2PCS	<b>M</b>  2PCS	<b>N</b>  4PCS
<b>O</b>  2PCS	<b>Q</b>  2PCS	

# Hardware List

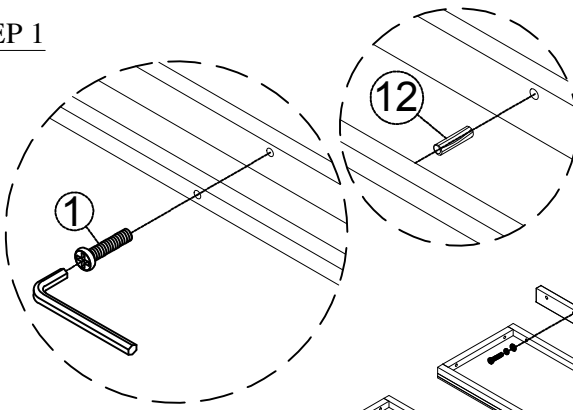
<b>1</b>  (Ø15) x1/4"x35mm Hex-Head bolts (22pcs)	<b>2</b>  (Ø15) x1/4"x50mm Hex-Head bolts (4pcs)	<b>3</b>  Ø5x16"x90mm BOLT (8pcs)
<b>4</b>  Ø5x16" CRESCENT WASHER (8pcs)	<b>5</b>  Ø5x16" NUT (8pcs)	<b>6</b>  WRENCH (1pc)
<b>7</b>  Ø8x30mm Wooden dowel (11pcs)	<b>8</b>  4x30mm Wood screws (8pcs)	<b>9</b>  (1/4") 4.5x58mm Allen key (1pc)



ASSEMBLY TOOLS REQUIRED ( NOT INCLUDED )

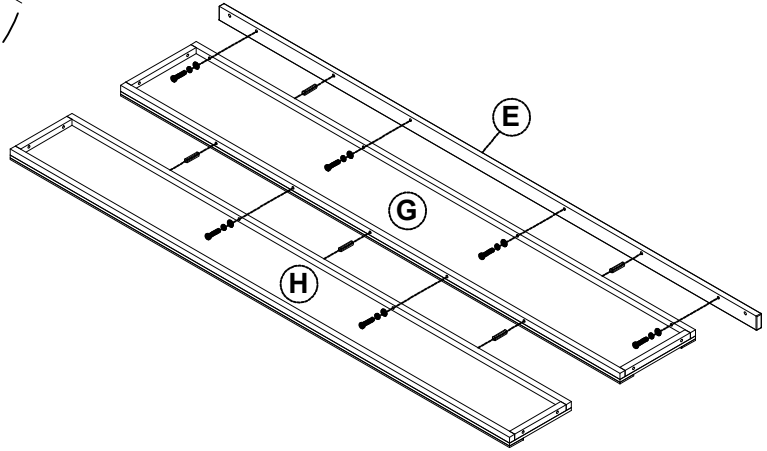


PLEASE BE CAREFUL DO NOT DAMAGE THE HOLE POSITION WHEN YOU USE POWER TOOLS !

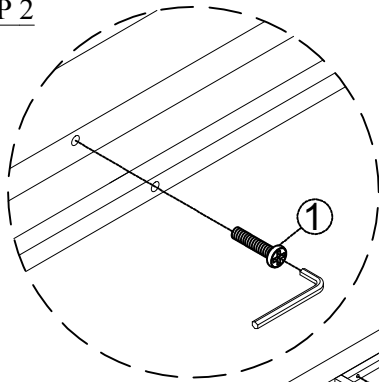
STEP 1





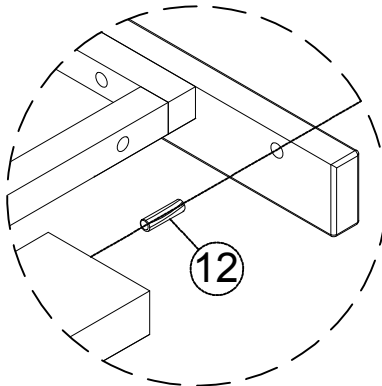
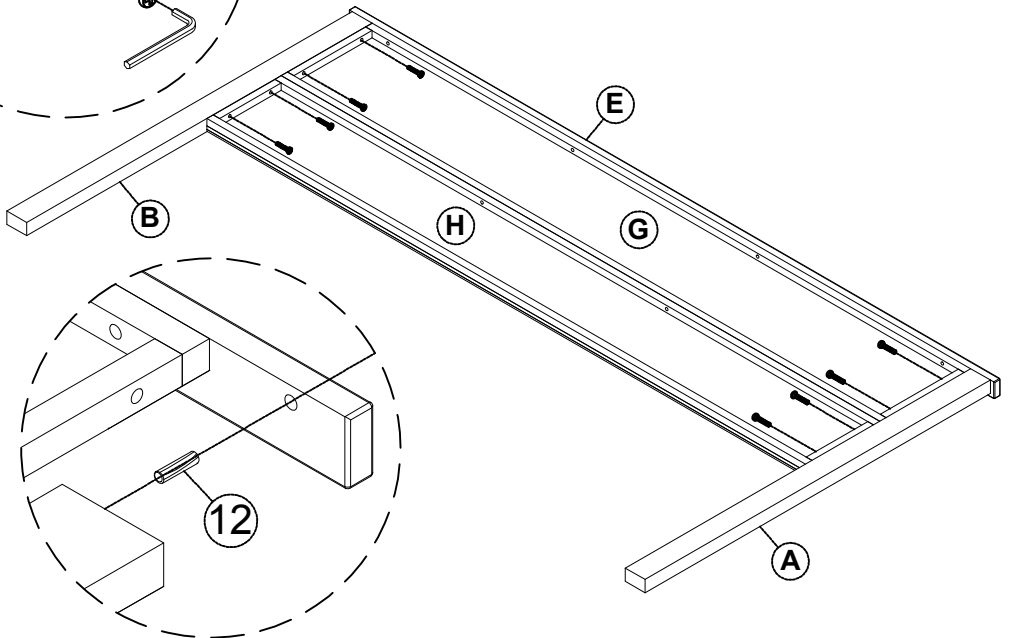
1	7
	
(6pcs)	(5pcs)




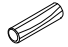
STEP 2

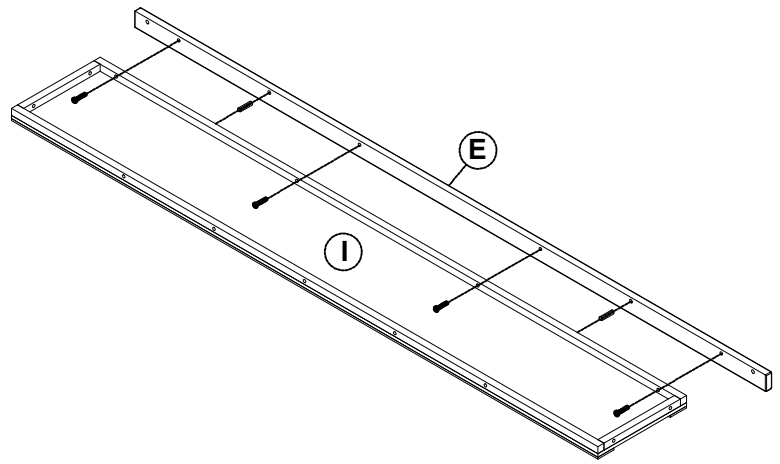
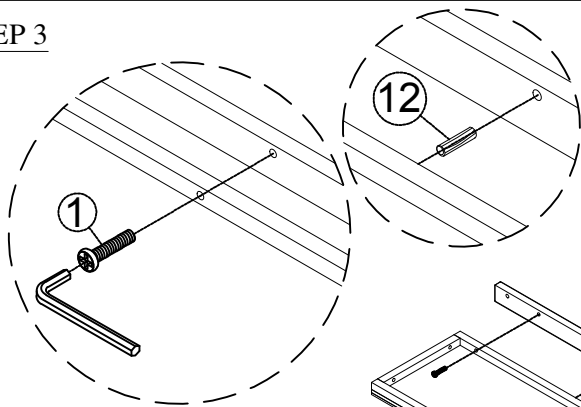


1	7
	
(8pcs)	(2pcs)





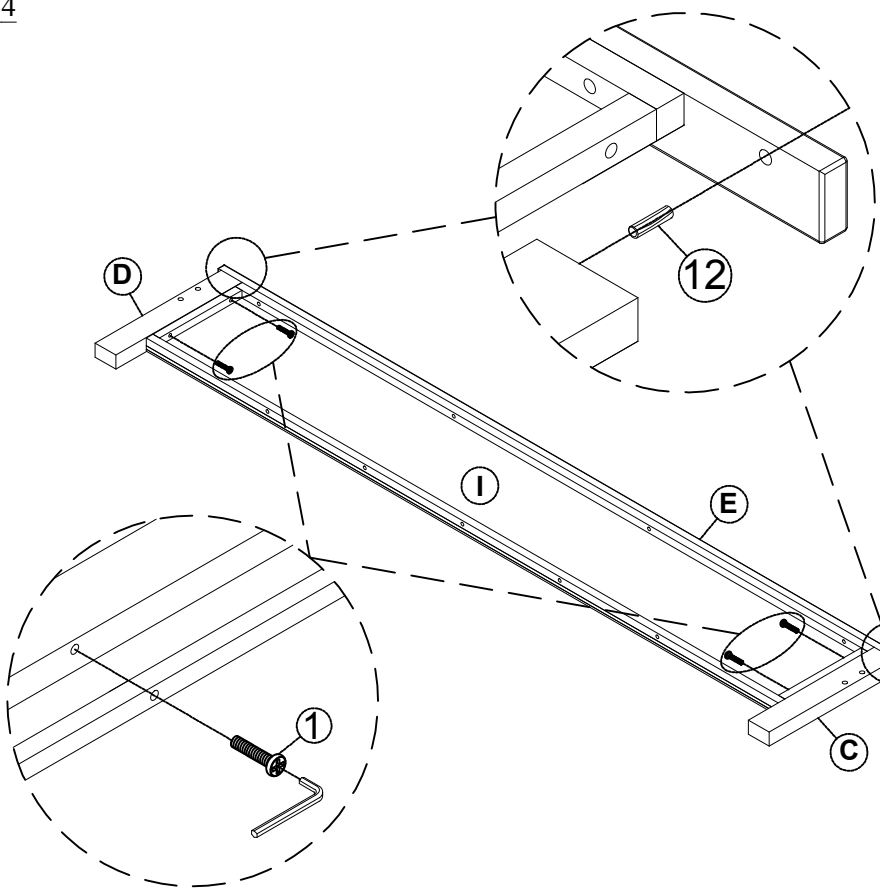
STEP 3

1	7
	
(4pcs)	(2pcs)

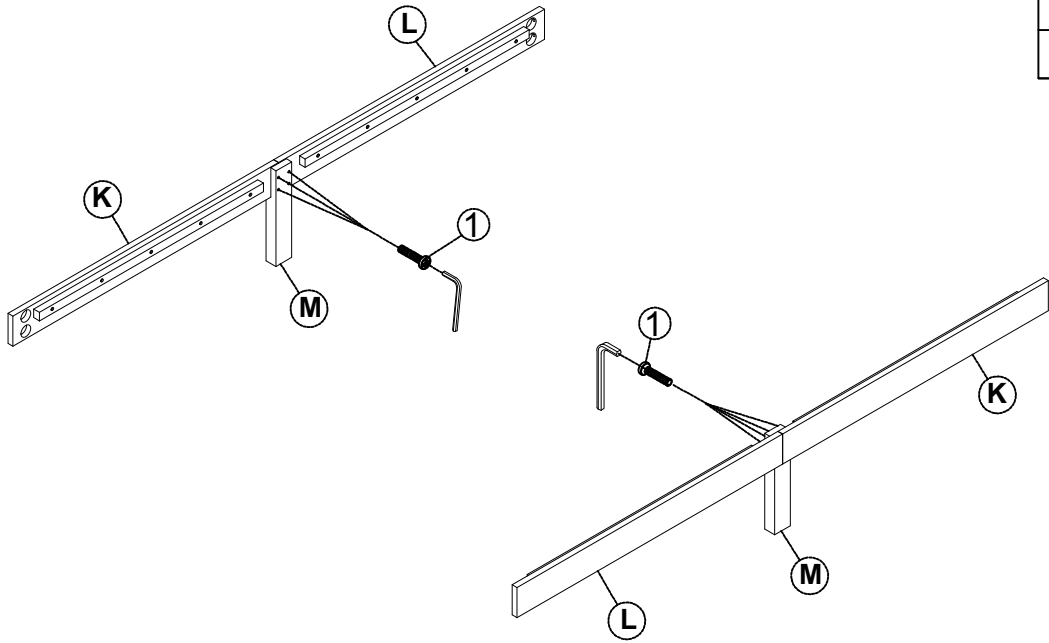



STEP 4

1	7
	
(4pcs)	(2pcs)

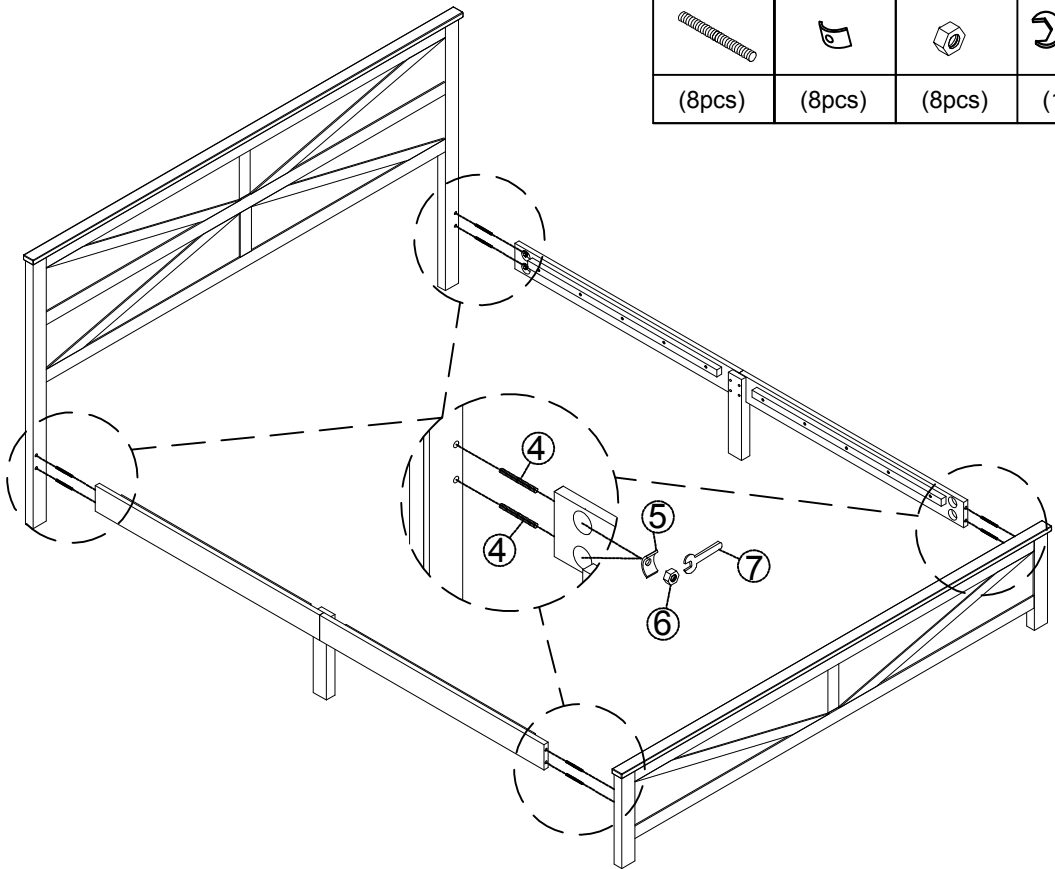






STEP 5





1

(8pcs)

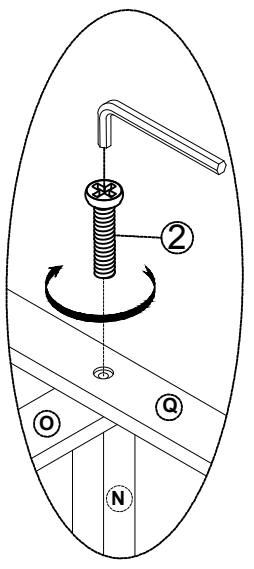
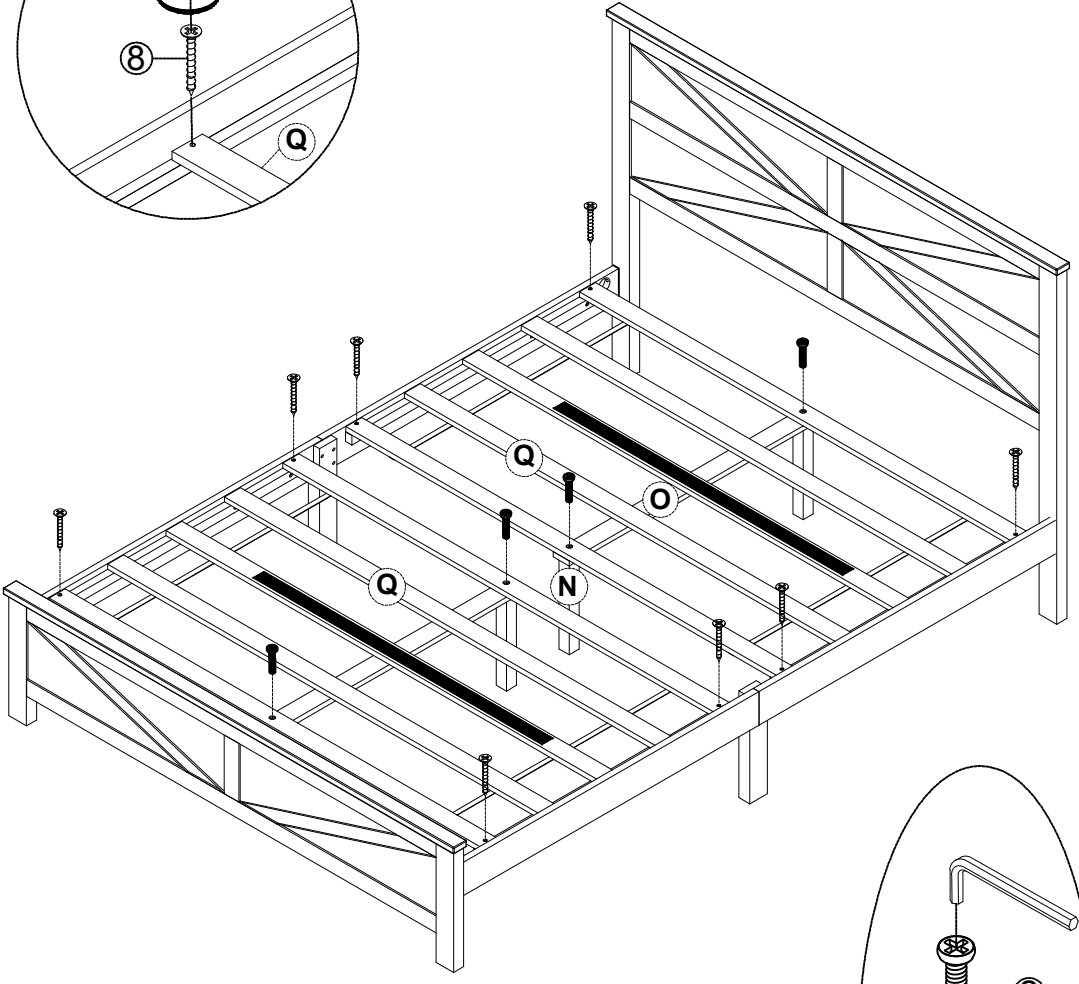
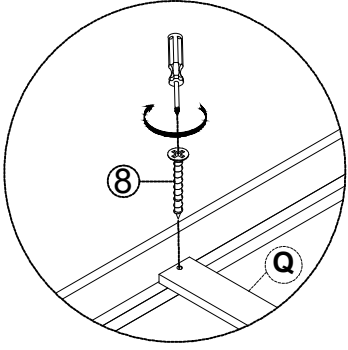
STEP 6



4	5	6	7
			
(8pcs)	(8pcs)	(8pcs)	(1pc)

STEP 7

2	8
	
(4pcs)	(8pcs)



Finish

