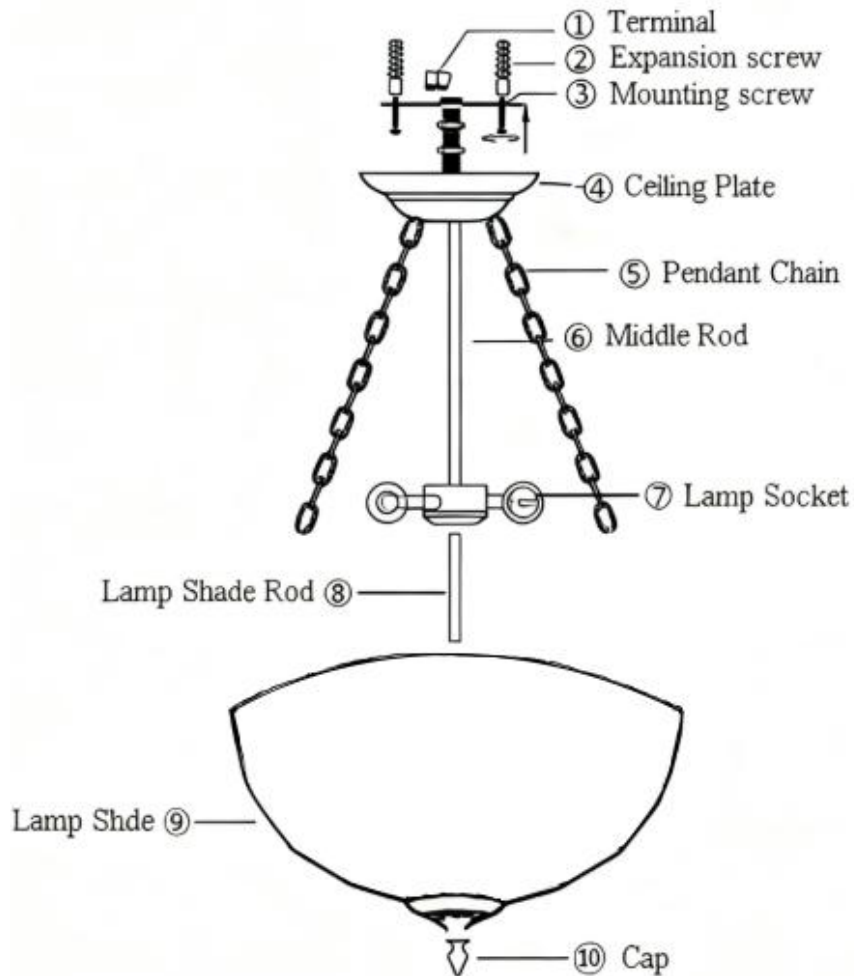


INSTALLATION INSTRUCTION



Installation:

Step 1 Tap the expansion adhesive head ② into the ceiling

Step 2 Fix the screw components ③ (to the expansion adhesive head)

Step 3 Adjust the length of the wires as shown in the figure, tighten the ⑧ lamp shade rod, ⑦ lamp socket,

⑥ middle rod and ④ ceiling plate to fasten them together.

Next, connect the wires to the corresponding ① terminals.

Step 4 Tighten the ceiling plate to the mounting screw using the flower nut.

Step 5 Support the ⑨ lamp shade, align the hole with the

⑧ lamp shade rod, then tighten the ⑩ cap and fasten the

⑤ pendant Chain to the corresponding positions of the

⑨ lamp shade and ④ ceiling plate.

- ❖ Should be installed by professional person.
- ❖ During the cleaning and installation remember to cut the power off.
- ❖ Do not install the lamp on the ceiling that is wet and keep the installation environment ventilation and dry.
- ❖ Keep the lamps away from corrosive chemical and air such as acid and alkali.
- ❖ Do not wash it with water, but wipe it clean with a soft cloth.