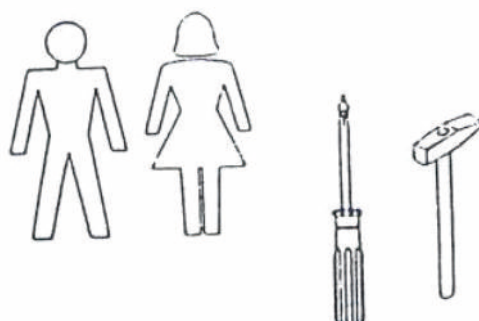
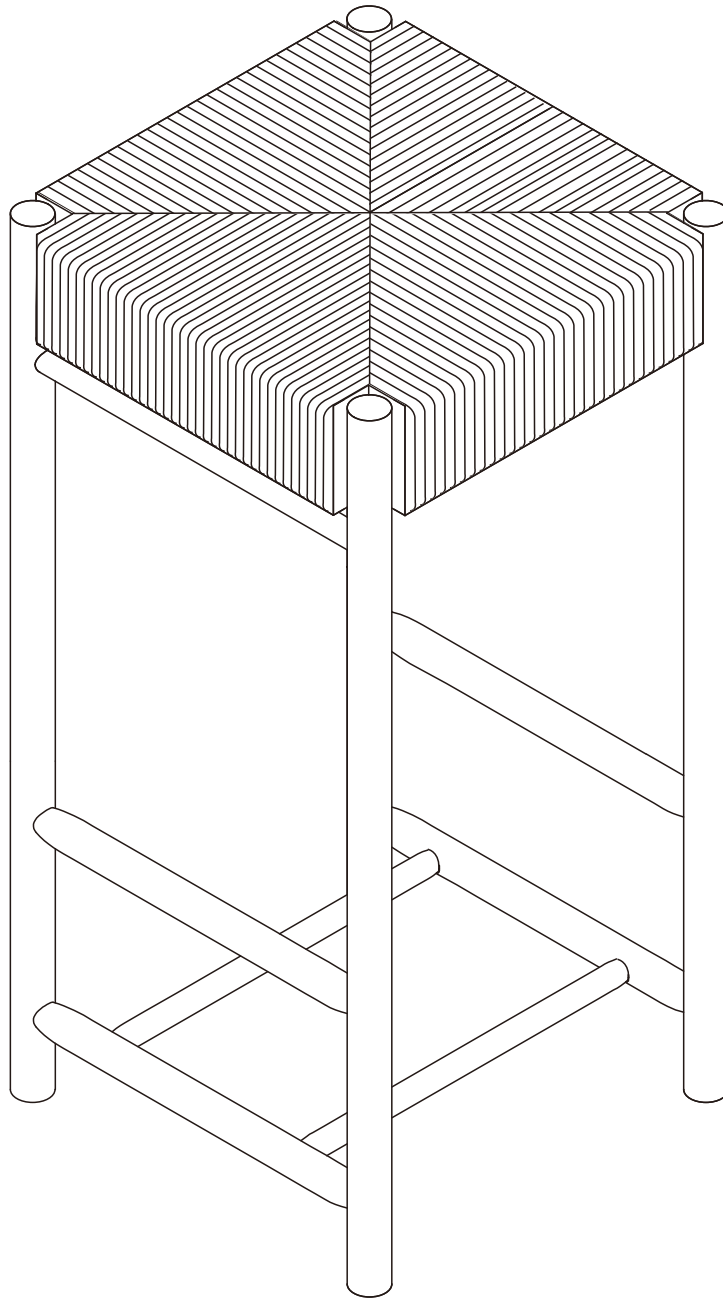
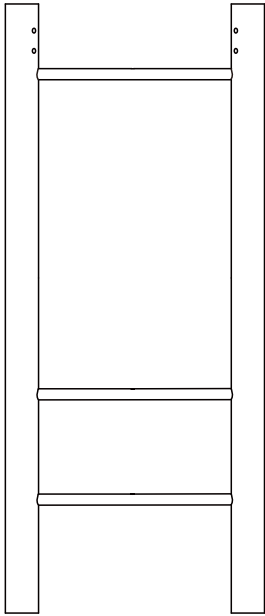


ASSEMBLY INSTRUCTION

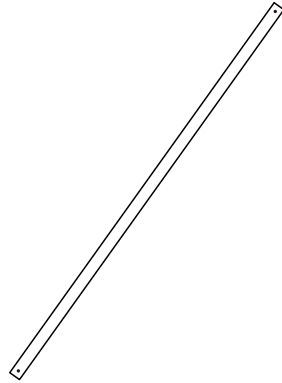
<<Before assembling, read all the instruction>>



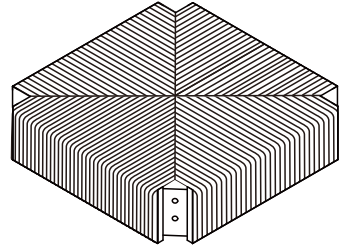
Components:



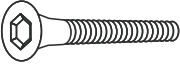



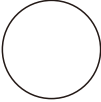
① x2



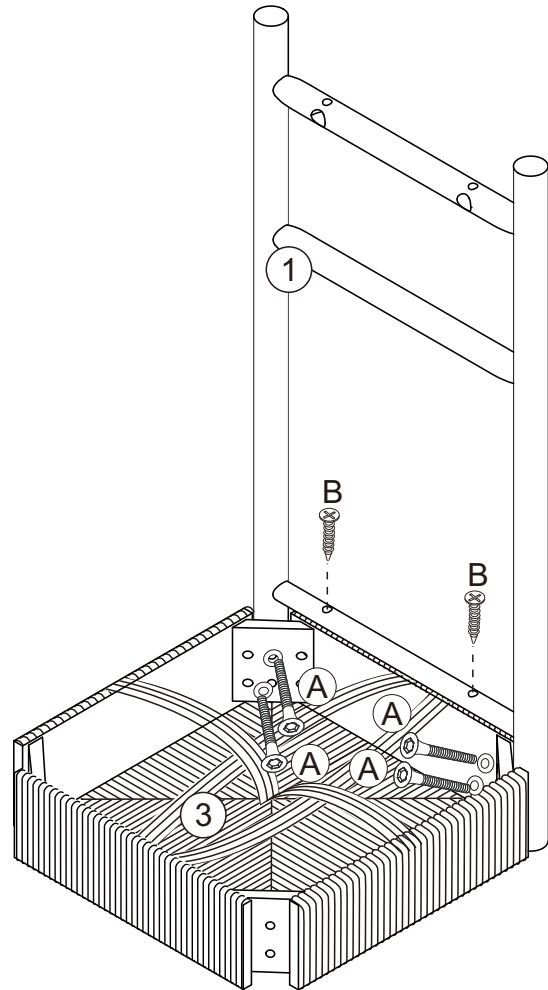
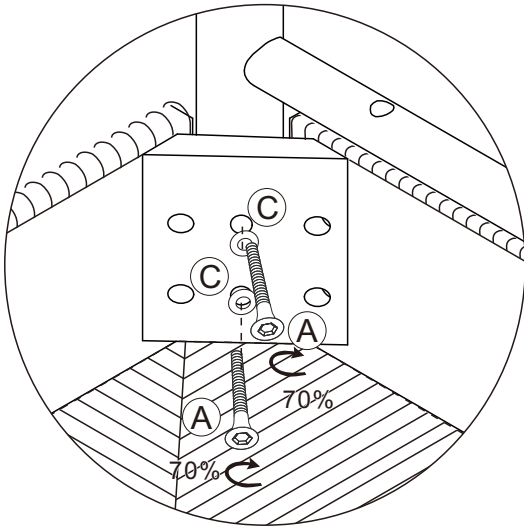
② x2

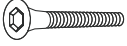





③

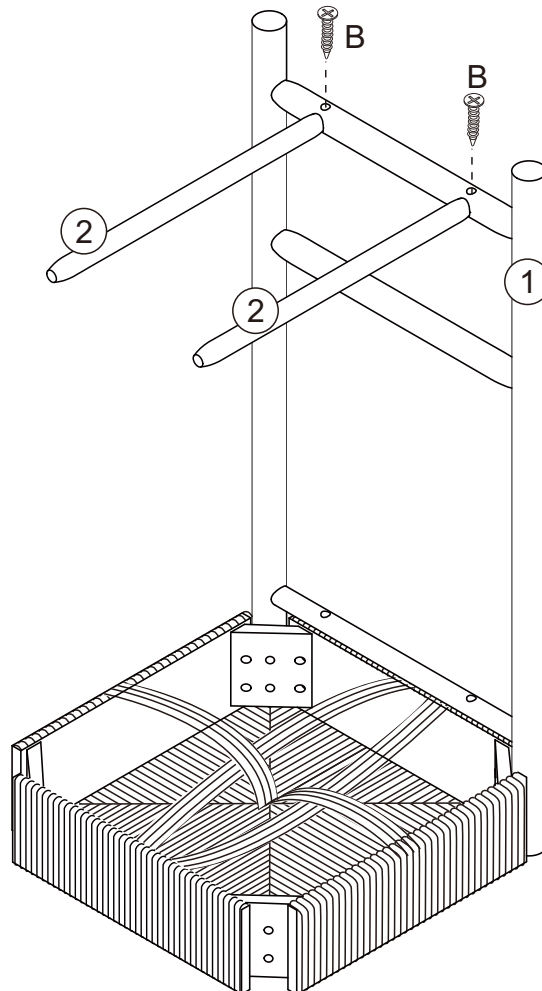
<p>A x 8</p>  <p>6x50 mm</p>	<p>B x 8</p>  <p>4x12 mm</p>	<p>C x 8</p>  <p>17x1 mm</p>	<p>D x 1</p>  <p>4x35 mm</p>
<p>E x 4</p>  <p>Ø25x3 mm</p>			

Step 1



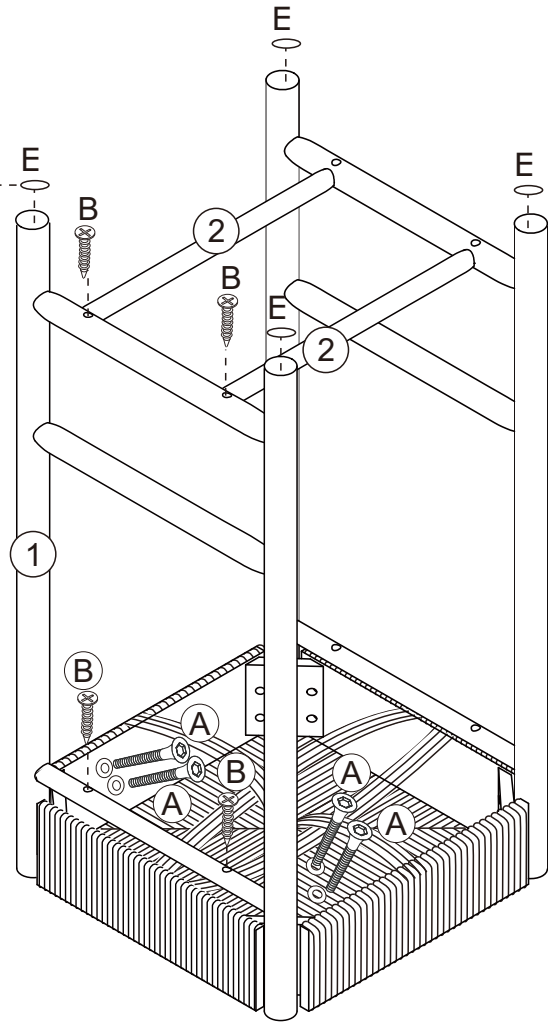
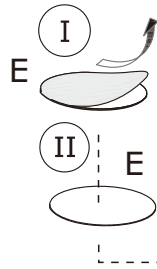
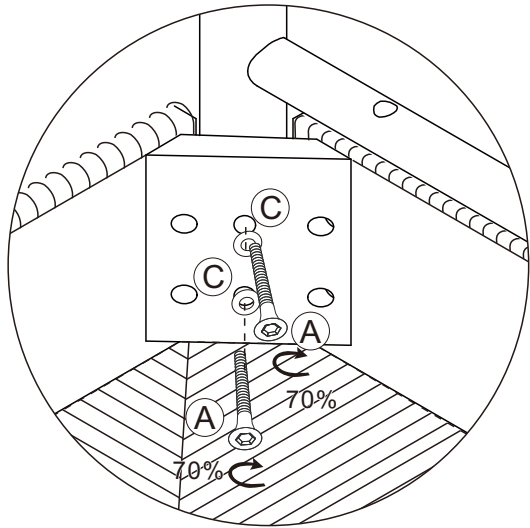
	Ax4
	Bx2
	Cx4
	Dx1

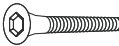




Step 2



	Bx2
--	-----

Step 3



	Ax4
	Bx4
	Cx4
	Dx1
	Ex4

Step 4

