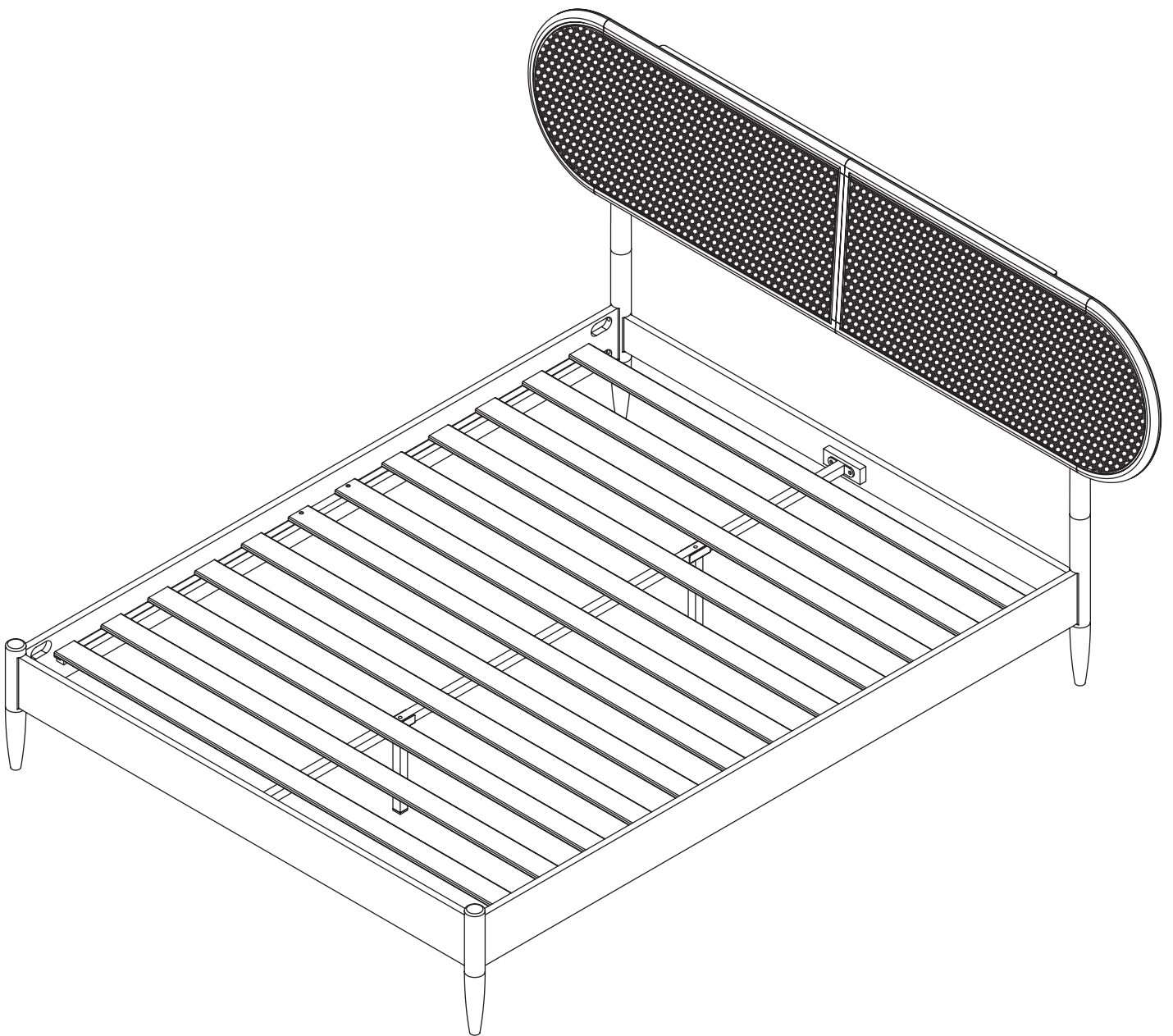
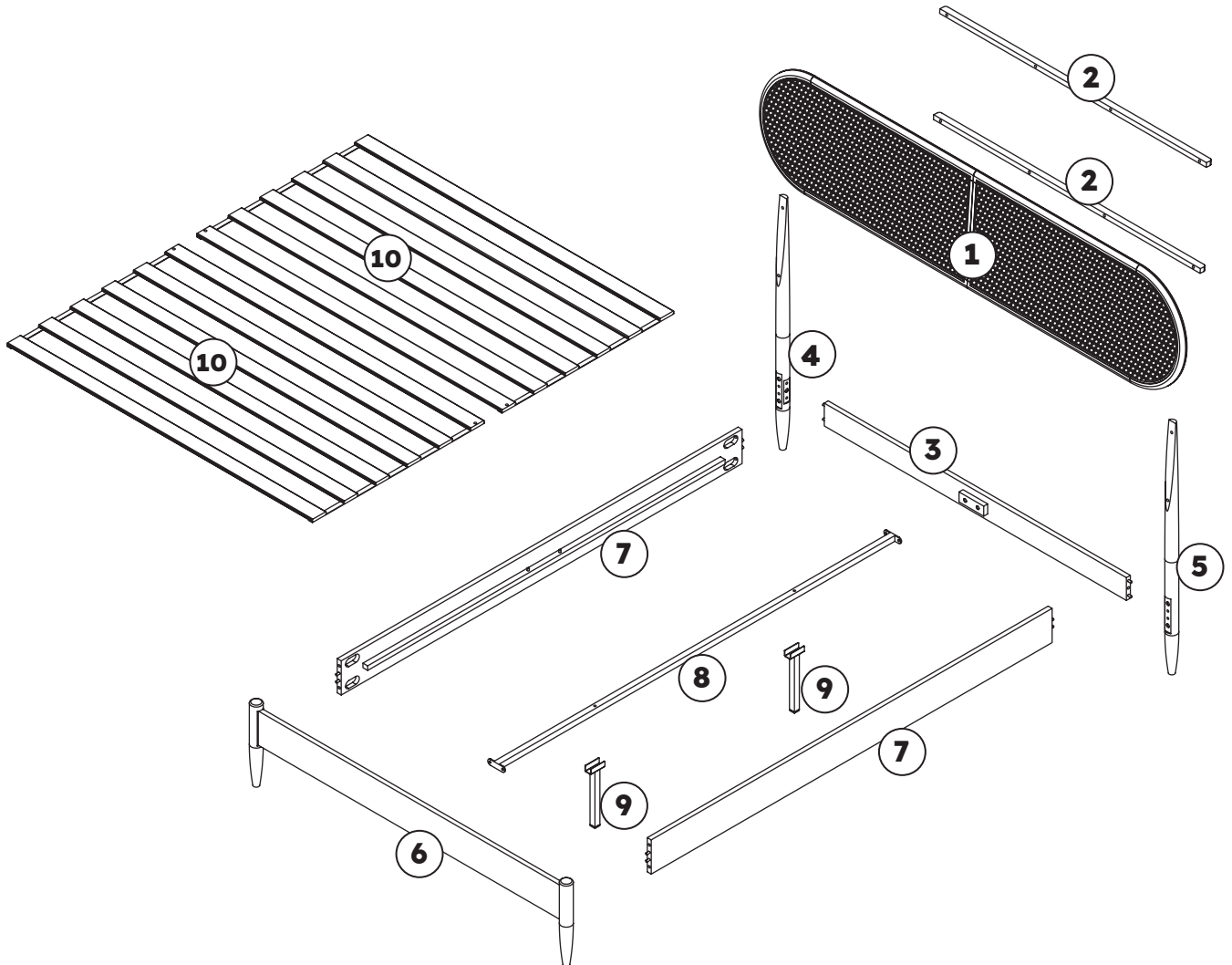


VT - Bed Frame

Assembly Instructions



Overview



IMPORTANT: 2 persons needed for assembly.
This will help to minimize potential damage to the product or injury to persons during assembly.



There are inner box(es) that include components required to complete this assembly.



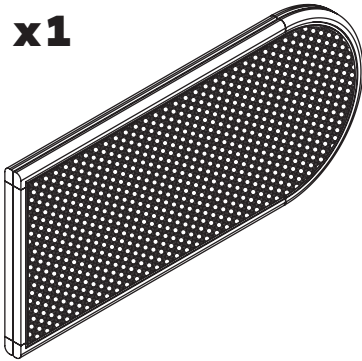
Please do not completely tighten all the hardware, until each assembly step is complete.



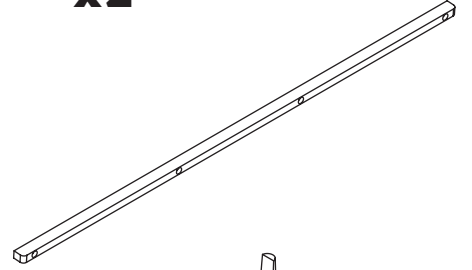
Before discarding the packaging, please use the checklist to ensure that you have all the parts required to assemble your product. Please kindly note you will need the original package if you want to return the product later.

Parts

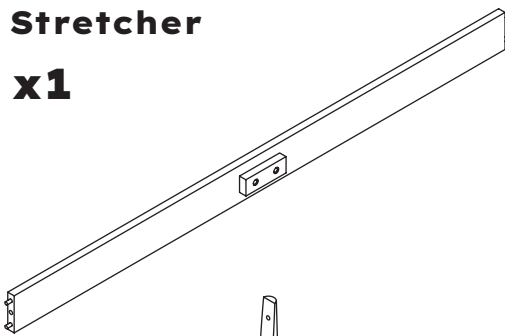
① **Headboard Panel**
x1



② **Headboard Support**
x2



③ **Stretcher**
x1



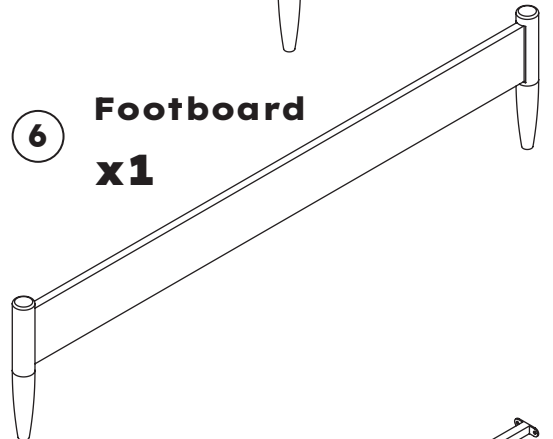
④ **Leg L**
x1



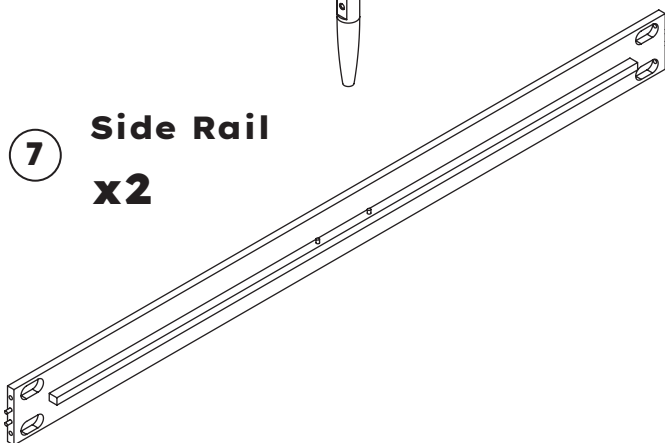
⑤ **Leg R**
x1



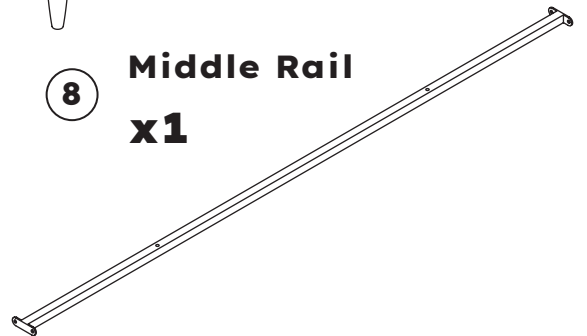
⑥ **Footboard**
x1



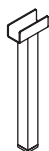
⑦ **Side Rail**
x2



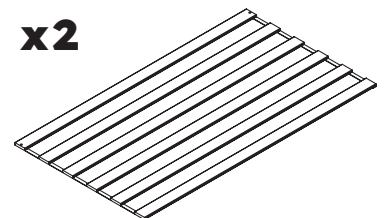
⑧ **Middle Rail**
x1



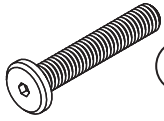
⑨ **Middle Leg**
x2



⑩ **Slat**
x2

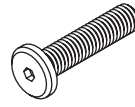


Hardware



A

**Bolt M8 x 45
x10**



B

**Bolt M8 x 35
x14**



C

**Bolt M8 x 20
x4**



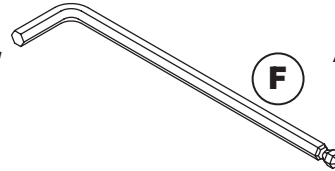
D

**Washer Ø22 x Ø8.5
x6**



E

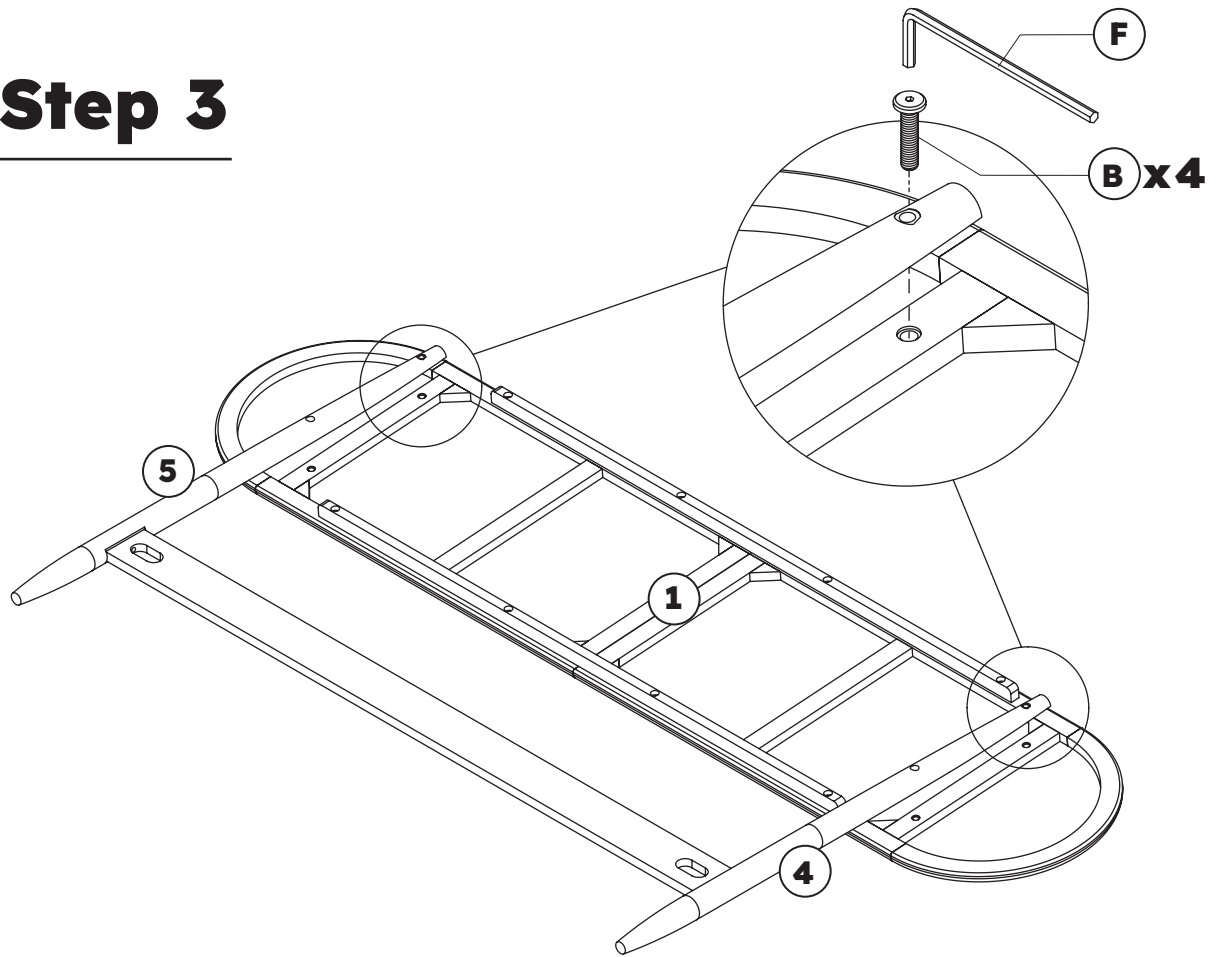
**Half Moon Washer
x10**



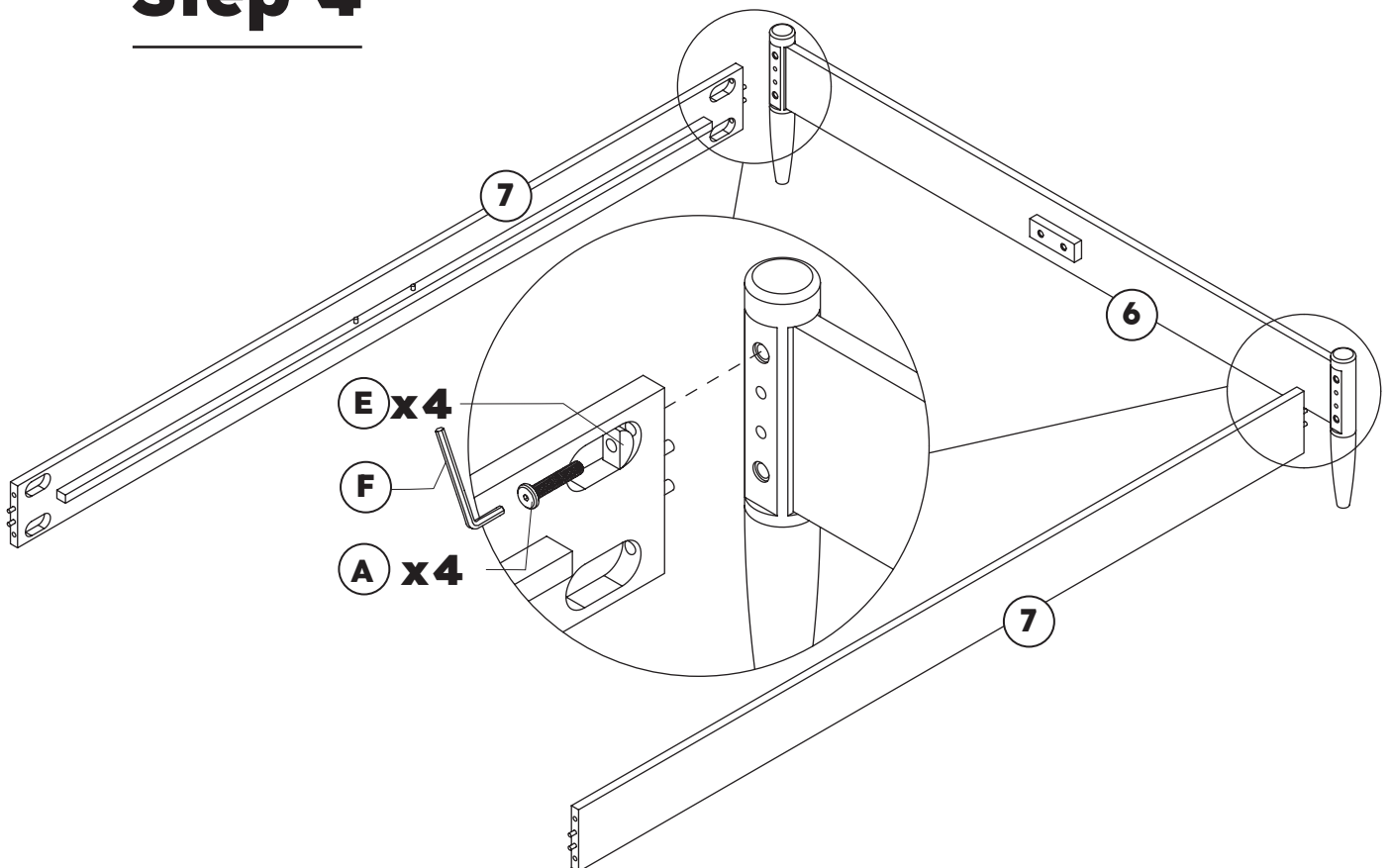
F

**Allenkey 5mm
x1**

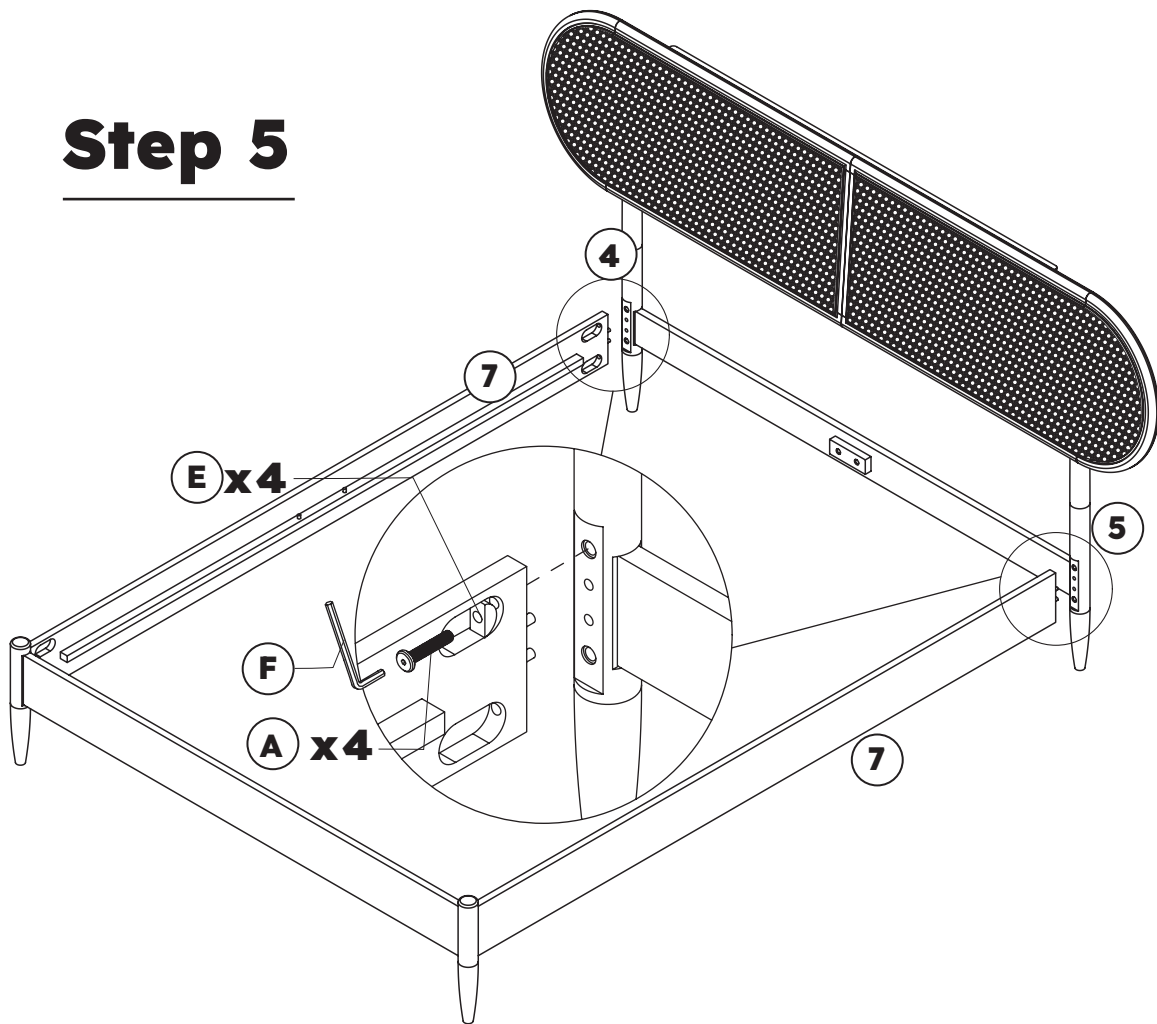
Step 3



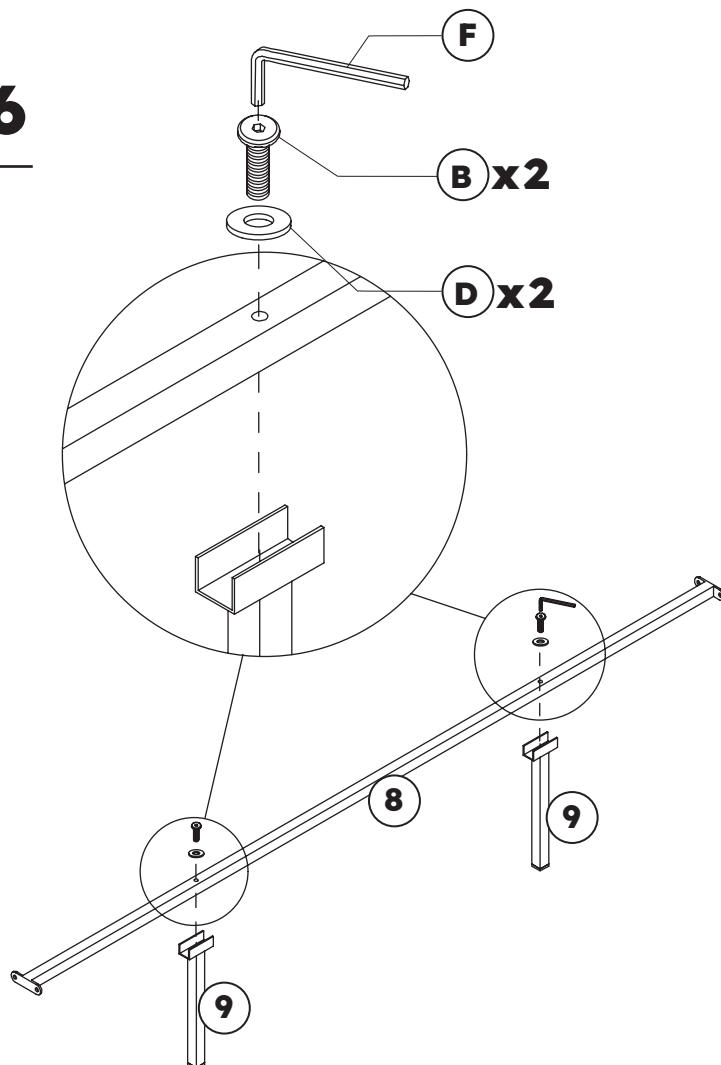
Step 4



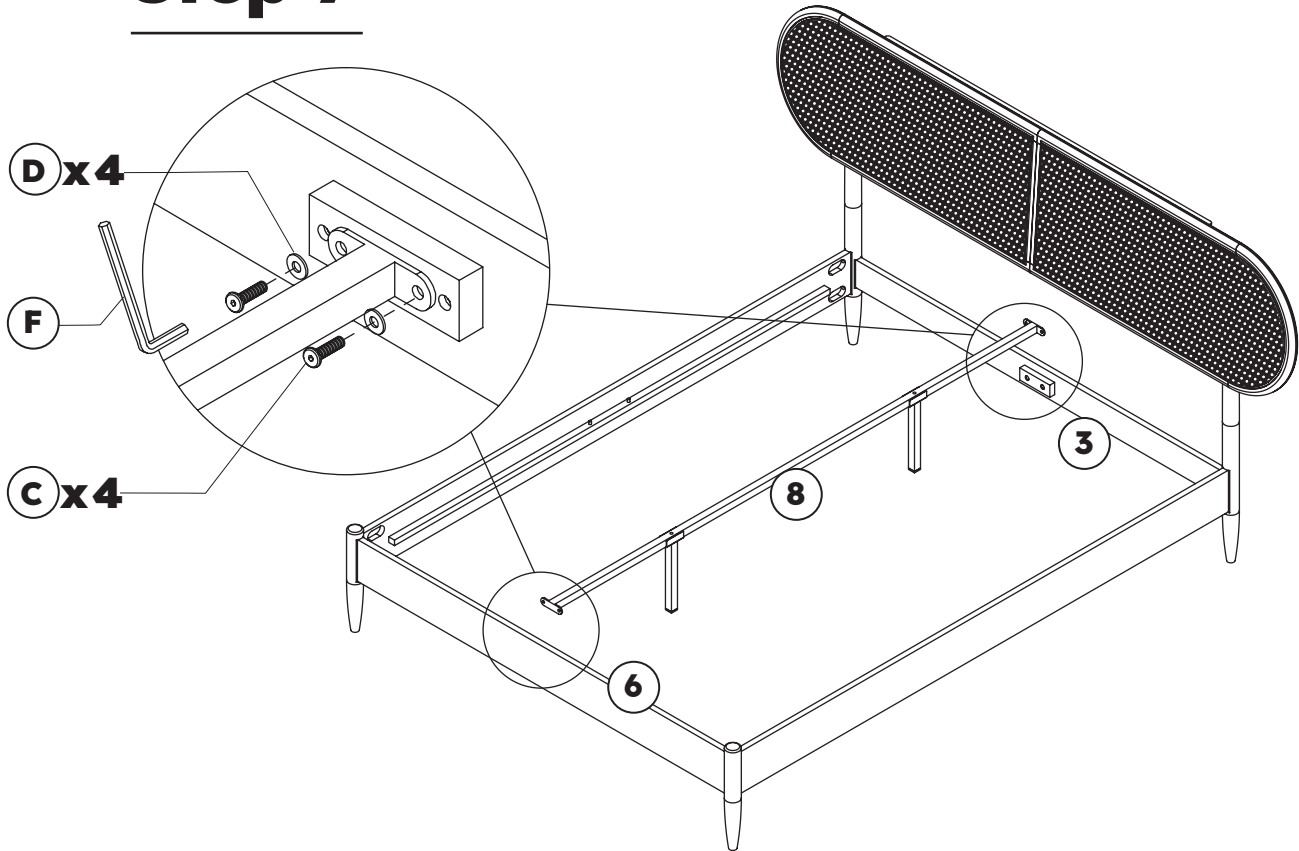
Step 5



Step 6



Step 7



Step 8

