
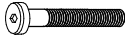
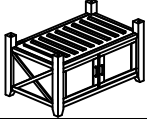




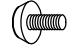


ASSEMBLY INSTRUCTION

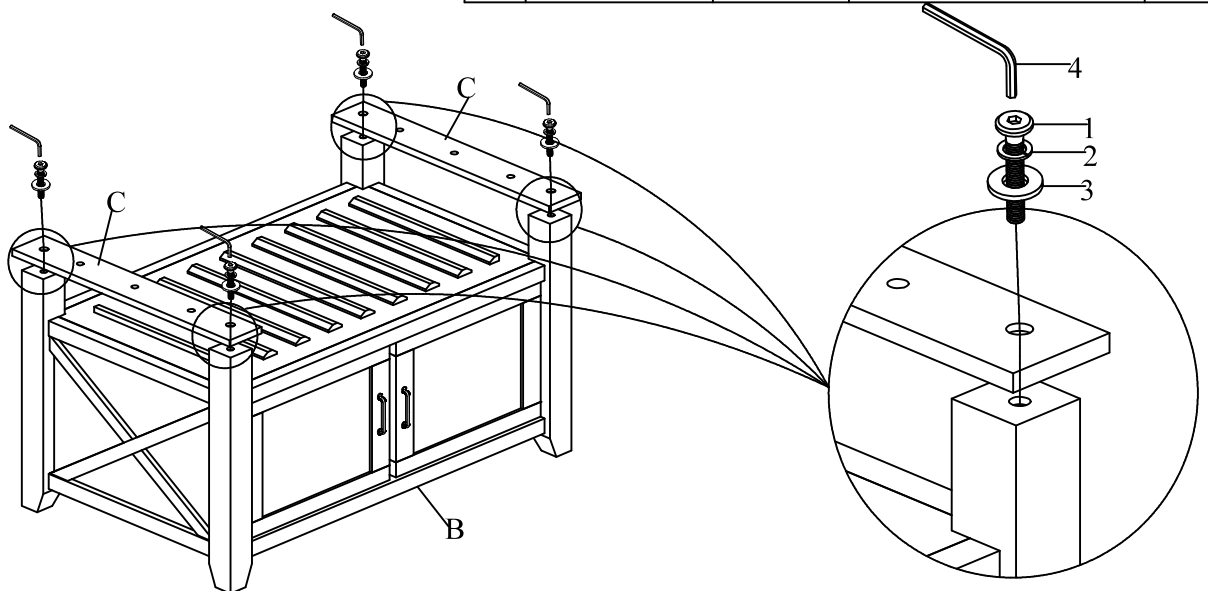
Dimension : 56"W x 48"D x 4"H
37"W x 23"D x 31"H

COUNTER HEIGHT TABLE TOP
COUNTER HEIGHT TABLE BASE

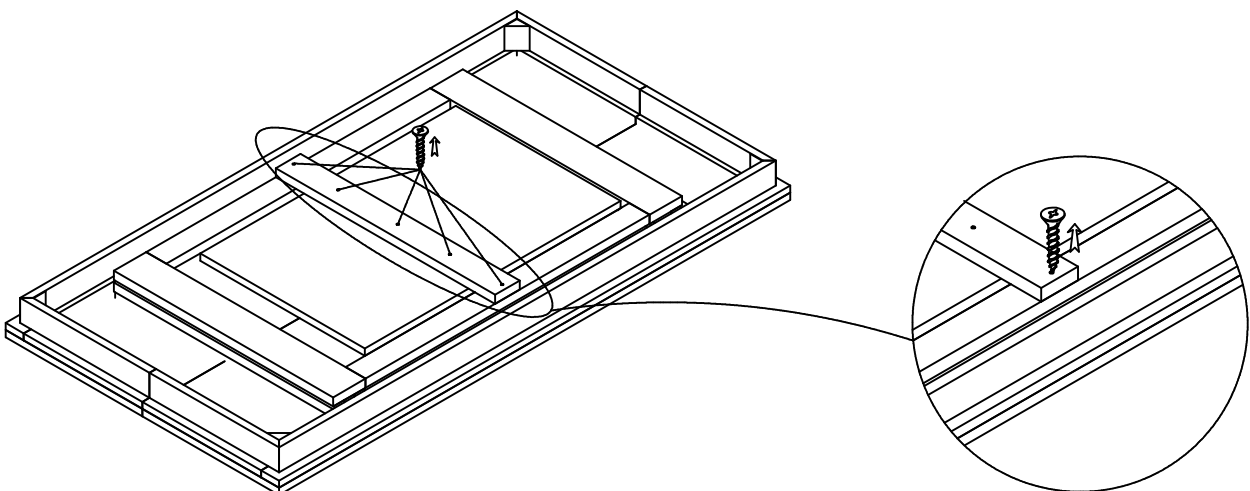
Thank you for purchasing this quality product. Be sure to check all packing material carefully for small parts that may have come loose inside the carton during shipment.

PART LISTS				HARDWARE LISTS				
NO.	Description	Sketch	Q'ty	NO.	Description	Sketch	Size	Q'ty
A	TABLE TOP		1PC	1	BOLT		5/16" - 20 x 1 1/2"	10PCS
B	TABLE BASE		1PC	2	SPRING WASHER		5/16" ID x 3/8"OD x 1/16" TK	10PCS
C	MOUNTING PLATE		2PCS	3	FLAT WASHER		5/16" ID x 7/8" OD x 1/16" TK	10PCS
				4	ALLEN KEY		1/6"	1PC
				5	Adjustment Leveler		Ø5/16"-16x1 1/4"	4PCS

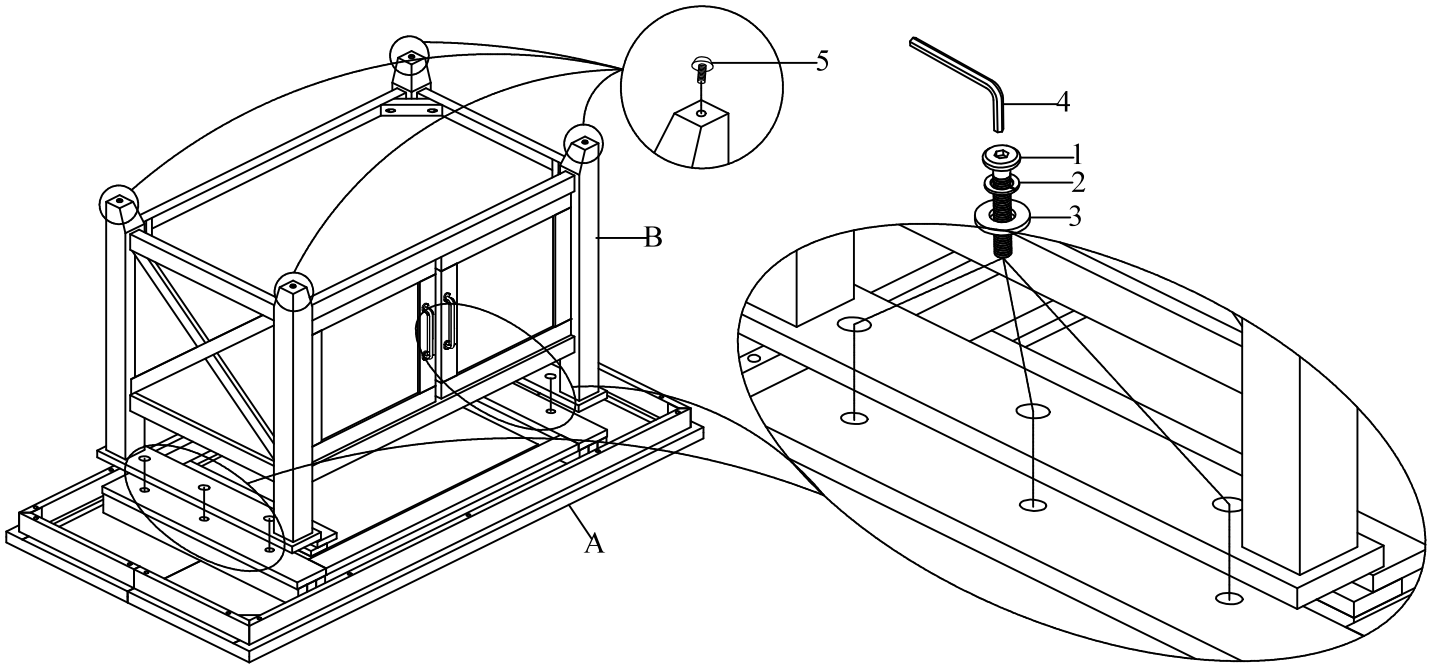
STEP 1



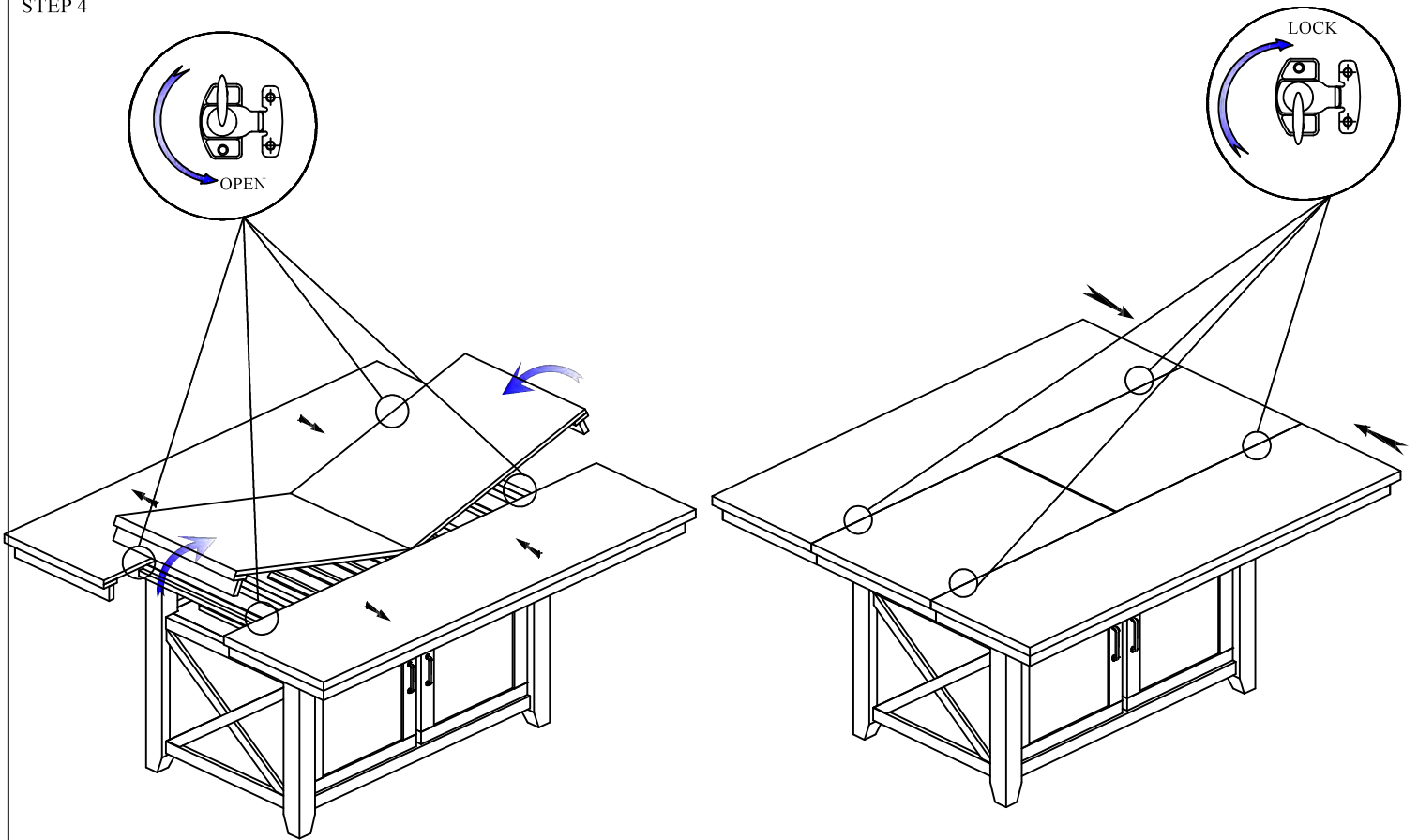
STEP 2 Remove screws from panel with tool and take the panel off



STEP 3



STEP 4

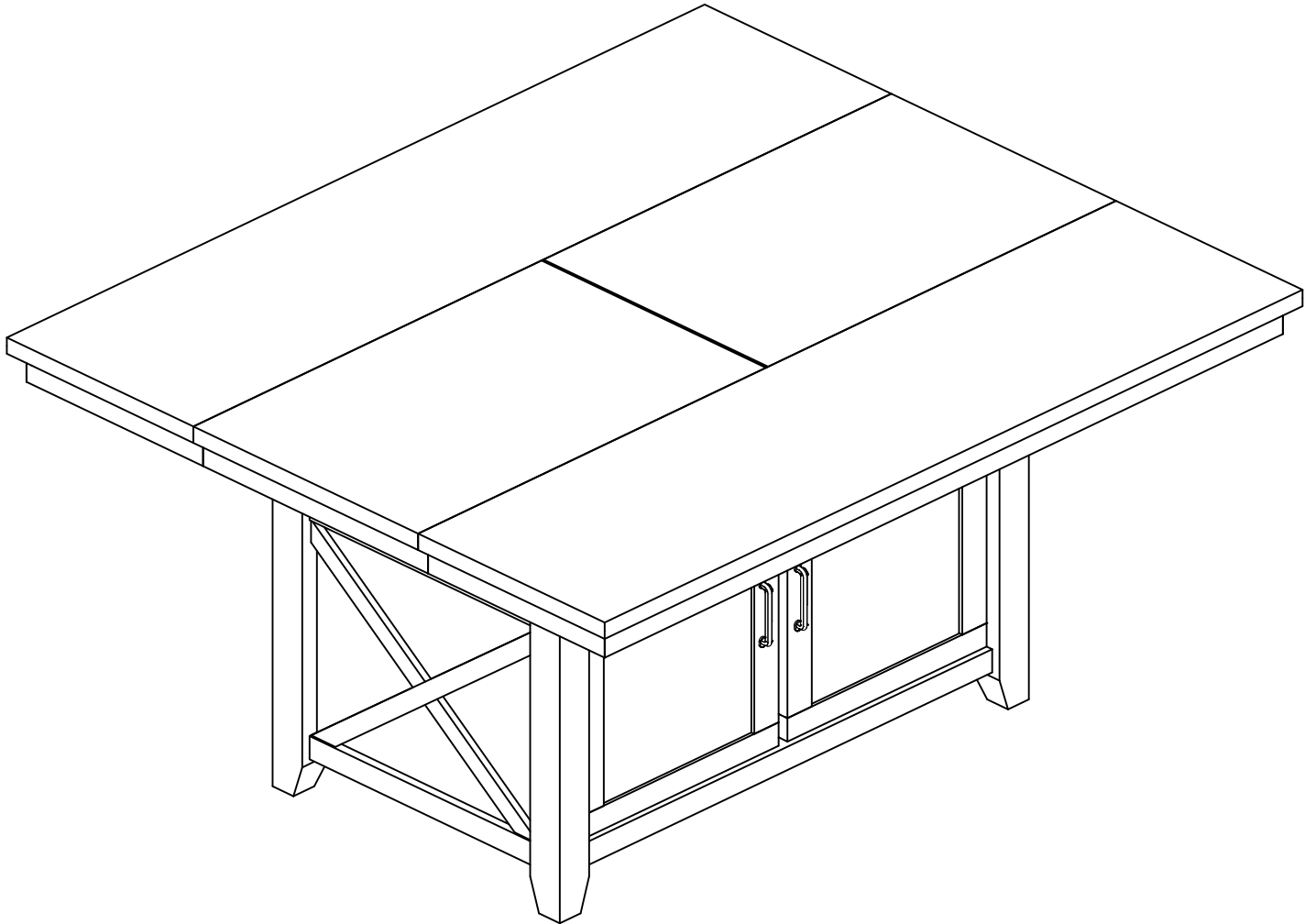


DO NOT TIGHTEN BOLTS UNTIL COMPLETELY ASSEMBLED.



It is recommended to install protective pads under all legs and supports to avoid damage or scratches when placing furniture on a wood floor or other hard surface, and to limit indentation and prevent discoloration if placing on carpet.

STEP 5
COMPLETED



DO NOT TIGHTEN BOLTS UNTIL COMPLETELY ASSEMBLED.



It is recommended to install protective pads under all legs and supports to avoid damage or scratches when placing furniture on a wood floor or other hard surface, and to limit indentation and prevent discoloration if placing on carpet.