

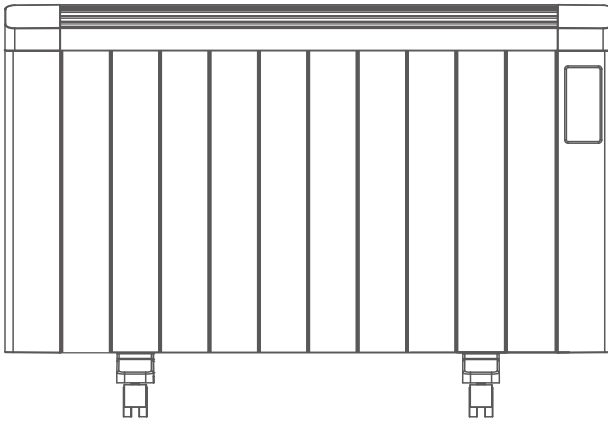
Product model :

HKWH004

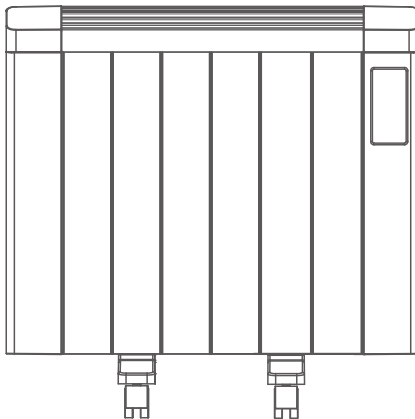
Convection Electric Heater

User Manual

Please read this manual carefully
before use and keep it properly



1500w



800w

SAFETY TIPS

- To ensure safe use and avoid injury and property loss to you or others, please be sure to follow the safety precautions below.
Failure to follow safety warnings and incorrect use may result in accidents.
- This product does not take into account the use of the device by unattended young children and disabled people, or the use of the device by young children. This may result in accidents.

⚠ **【Warning】** Indicates safety matters that may result in death or serious injury. 💡 **【Tips】** Indicates other safety matters.

⚠ **【Caution】** Indicates safety matters that may result in minor injury or property damage.

⚠ **【Warning】 Key safety issues**

- ⚠ The power supply used by this machine is 120V-. Please confirm that the rated current of the power socket meets the requirements before use, otherwise the socket should be replaced.
- ⚠ Before use, you need to check whether the power cord and plug are damaged. If the power cord is damaged, in order to avoid danger, it must be replaced by professionals from the manufacturer's maintenance department or similar departments.
- ⚠ It is prohibited to replace the power switch with the method of plugging (unplugging) the power cord plug.
- ⚠ Warning: To avoid overheating, it is prohibited to cover the heater.
- ⚠ It is prohibited to use it near flammable, explosive, and objects that are easily deformed, discolored, or deteriorated by heat, or in places with severe dust.
- ⚠ It is prohibited to use it in places where hanging objects are easy to fall, easy to impact, or unstable. When using the product, it should be placed stably, please do not overturn or tilt it.
- ⚠ It is prohibited to insert thin metal wire or other foreign objects into any holes in the machine to avoid electric shock accidents.
- ⚠ It is prohibited to share the socket with other high-power electrical appliances, and it is strictly prohibited to move the product directly by pulling the power cord.
- ⚠ It is prohibited to face the product to the power socket, and the heater shall not be placed directly under the power socket.
- ⚠ It is forbidden to put the power cord at the air outlet.
- ⚠ It is forbidden to use the product as a heat preservation or heating device for animals and plants.
- ⚠ It is forbidden to modify the purpose and function of the product without permission.
- ⚠ Before installation, it is necessary to check whether the ground wire of the user's home power supply is well grounded. If it is found that the user's home power supply has no ground wire, or the power ground wire is detected to be energized and has not been properly rectified, it is forbidden to install the product.

- ⚠ During installation and maintenance operations, please disconnect the main power supply, otherwise accidents may occur.
- ⚠ It is forbidden to immerse the product in water. This heater shall not be used around bathtubs, showers or swimming pools.
- ⚠ It is forbidden to rinse the body directly with water. You can wipe it gently with a soft cloth containing a little neutral detergent and then wipe it dry. Do not use solvents such as gasoline.
- ⚠ If the product fails, please turn off the machine immediately and unplug the power cord to send it to a nearby authorized maintenance point for professional repair. Non-professional personnel or unauthorized repair personnel shall not repair or modify the machine by themselves.
- ⚠ To avoid danger caused by the false reset of the thermal circuit breaker, the appliance cannot be powered by an external switching device, such as a timer or connected to a circuit that is regularly turned on and off by a general component.

⚠ **【Caution】 Items that may cause minor injuries or property damage**

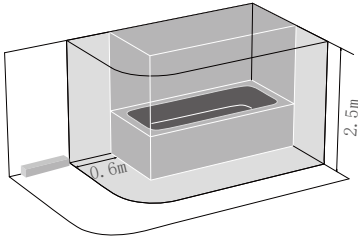
- ⚠ Before use, please check whether the voltage used is the same as the voltage marked on the product.
- ⚠ Because covering or incorrect placement of the heater can cause fire, the product must not be used with a programmer, timer or other device that can automatically connect the power supply.
- ⚠ When using the product, to avoid burns, please do not let exposed skin directly contact the outlet surface.
- ⚠ When the product is in normal use or idle, keep it at least 1.5 meters away from fire and fire sources, and avoid direct sunlight.
- ⚠ When the product is in use, the power cord should be placed behind the body. Placing it in front of the body will cause it to overheat and damage, or even cause safety accidents.
- ⚠ Before cleaning this product, be sure to turn off the power switch and unplug it, and wait until the product is completely cooled before cleaning.
- ⚠ Children, elderly people who have lost the ability to take care of themselves, or patients should use the product under adult supervision to prevent accidents.

💡 **【Tips】 Other safety matters**

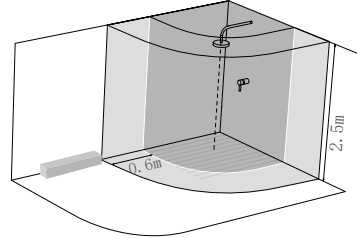
- 💡 This product is suitable for indoor use only, not outdoor use.
- 💡 After cleaning and maintenance, be sure to wait until it is fully dry before powering on or storing it.
- 💡 Please unplug the power cord when not in use for a long time. It is recommended to pack it in the original packaging and store it in a dry place.
- 💡 Avoid bumping or scratching the product to prevent damage to the surface coating and rust.

● **【Tips】 Scope of use**

Note: Do not use this heater around bathtubs, showers or swimming pools (grey areas shown below).



• Bathtub use range



• Shower head usage range

● **Other precautions during use**

- Considering the safety of users using heating products and energy saving, if the machine works continuously for more than 15 hours and there is no operation during the process, the machine will automatically shut down.

Note: If the user uses the product's timed shutdown function, the timed shutdown time operation will be performed first.

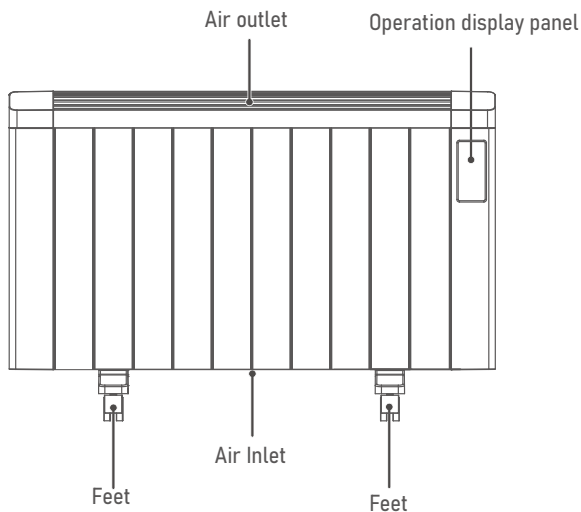
- When the machine is turned on, when the space is heated to the set temperature of the machine, the machine will stop heating; when the ambient temperature drops, the machine will automatically resume heating.

- This section describes the content and importance of safety matters to prevent personal injury or property loss to users or others.
- Please read the text after fully understanding the above content and be sure to comply with the safety matters described.


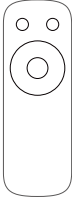



PRODUCT INTRODUCTION

Parts display

Note: The pictures in the instruction manual are for reference only. Please refer to the actual item in the packaging box for details.



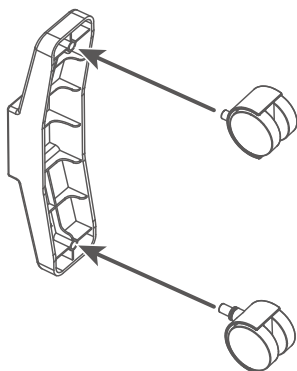
Accessories List

				
Instruction manual x1	Remote control x1	Feet x2	Casters x4	Accessory package Screws x4 Rubber plugs x4

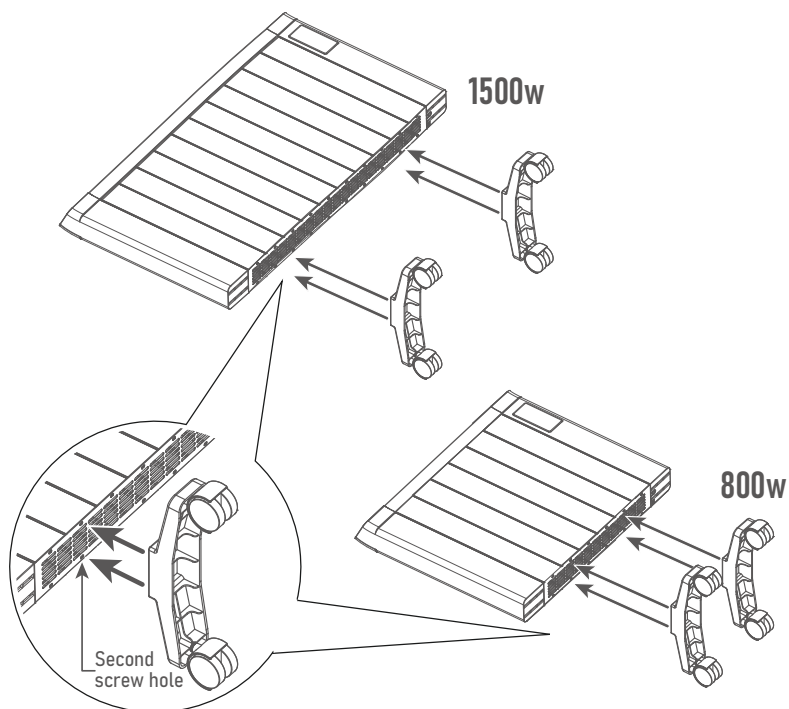
INSTALLATION METHOD

Foot Installation Instructions

Step 1: Insert the casters into the holes at the bottom of the legs one by one, pressing slightly when inserting.



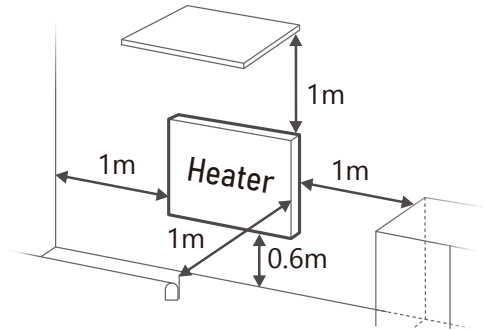
Step 2: Turn over the machine, align the feet of the assembled casters with the second screw holes on the left and right ends, and then tighten them with screws.



Wall-mount installation instructions

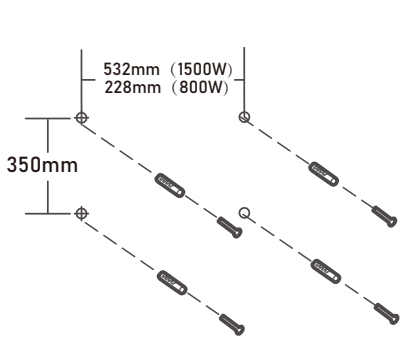
⚠️【Note】

When the heater is wall mounted, the minimum dimensions as specified in the figure on the right should be ensured, but the bottom of the heater should not be higher than 1.7m from the ground.



Step 1:

Take out the screws and rubber plugs from the accessory package, and then drill holes on the wall where the wall-mounted installation is required, with a distance of 532/228 mm (1500w/800w) between the left and right holes and 350mm between the upper and lower holes. After drilling the holes, insert the four rubber plugs into the wall mounting holes respectively, and then tighten the nails into the rubber plugs with a cross screwdriver.

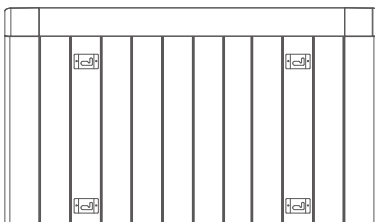


⚠️【Note】

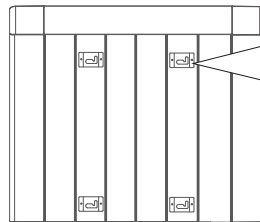
The installation hole spacing is 532/228 mm (1500w/800w) on the left and right sides and 350mm on the top and bottom sides. Please drill holes strictly according to this hole spacing, otherwise it will not be possible to mount on the wall.

Step 2:

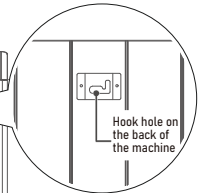
Remove the legs at the bottom of the machine, and then align the four hook holes on the back of the machine with the screws that have been fixed on the wall and hang them in.



1500w



800w



INSTRUCTIONS

Operation panel

Function gear indicator light

- ☉ Low heat indicator light
- ☉ High heat indicator light

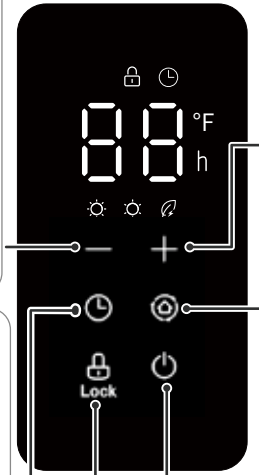
- 🕒 Timer indicator light
- 🌀 Energy saving indicator light
- 🔒 Child lock indicator light

Minus key

- Directly short press the "-" key to adjust the product temperature (no temperature control ~ 95°F ~ 94°F ~ 93°F ~..60°F decreasing); in the state of scheduled startup or timed shutdown, short press the "-" key to adjust the setting time (24h~23h~22h...0h decreasing)

Timing key

- In the power-on state, short press this button to enter the timer setting state and set the timer shutdown time in the order of 0h→1h..24h. In the standby state, short press this button to enter the timer setting state and set the scheduled power-on time in the order of 0h→1h...-24h. After the scheduled power-off or scheduled power-on time is set successfully.



Add key

- Directly short press the "+" key to adjust the product temperature (60°F~61°F..94°F~95°F~no temperature control, increment); In the scheduled startup or timed shutdown state, short press the "+" key to adjust the setting time (0h~1h~2h...24h increment)

Shift key

- When the machine is powered on, short press this button to cycle through the gear settings in the order of high gear → low gear → energy saving.

On/Standby button

- In standby mode, short press this button to enter the power-on mode. In power-on mode, short press this button to enter the standby mode.

Child lock button

- After turning on the power, press and hold this button for 1 second to turn the child lock function on or off.

Continuous working state

The machine is running in high or low heat mode. When the set temperature increases to 95°F, press "+" again to enter the continuous working state. At this time, the display screen no longer displays the temperature, but only displays a marquee: In this state, the machine will continue to heat within the safe temperature range. (The remote control operation is the same)

Remote control button description

⚠ Notice

The remote control should be used normally within 5 meters from the front of the product and within a deviation angle of 30 degrees.

Batteries contain many heavy metals and acid-base substances, which threaten human health; used batteries should be recycled in different categories.

The discharge specification of the remote control is: No. 7 1.5V.



On/Standby button

Timing key

Mode key

- (1) short press to switch gear mode
- (2) Within 15 seconds of power on, press and hold the "mode button" for 3 seconds to enter self-test.

Child lock button Short press to turn on or off the child lock function

— Minus key Sets the temperature adjustment or timing time

+ Add key to set temperature adjustment or timing time

... The space key has no actual function

PRODUCT CLEANING

- Before cleaning this machine, you must first turn off the power switch and unplug the plug, and then clean it after the product has completely cooled down.
- After cleaning and maintenance, you must wait until it is fully dry before turning it on or storing it.
- Please unplug the power cord when not in use for a long time. It is recommended to pack it in the original packaging and store it in a dry place.
- It is forbidden to rinse the machine body directly with water. You can use a soft cloth with a little neutral detergent to gently wipe the surface of the machine and then wipe it dry. Do not use solvents such as gasoline.

SERVICE GUIDE

LIST OF TECHNICAL PARAMETERS OF PRODUCT SERIES·

Product name	Product model	Selectable power (W) and working mode	
		Low warm	High Warm
Heater	HKWH004	800	1500

Note: The power supply is 115V~/60Hz AC.

The performance parameters in the table are measured at the factory and are for reference only.

Abnormal status code list

Panel display contentdescription	Abnormal status description
E 1	The fault code is displayed when the temperature sensor is open.
E 2	The fault code is displayed when the temperature sensor is short-circuited.
FF	The high temperature alarm fault code is displayed when the temperature sensor detects that the temperature exceeds 122~°F.

HELP CENTER

Customer service: Wolfthontech1@gmail.com

Please attach follow purchase infor in the message:

Order ID: _____

Model: _____

Purchase Date. _____

Buyer Name. _____

Please feel free to send us the text or email, We will reply to you within 24 hours .Also please feel free to contact us if you have received the defective items.Dueto time zone differences, please use email as your first choice to communicatewith us.

Follow our YouTube channel then you will be able to find our assembling videos as a pinned video.