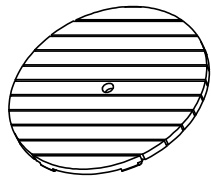
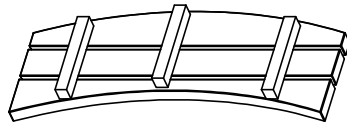


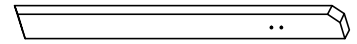
Wooden Picnic table Assemble Instruction



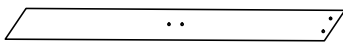
A 1pc



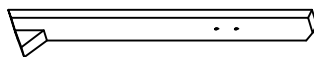
B 3pcs



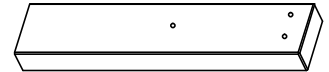
C 2pcs



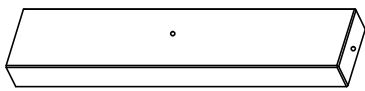
D 3pcs



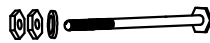
E 1pc



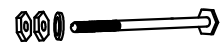
F 6pcs



G 3pcs



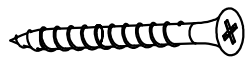
H 8*70mm 12pcs



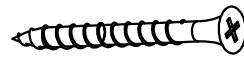
I 6*70mm 18pcs



J 6*50mm 6pcs



K 4*60mm 6pcs



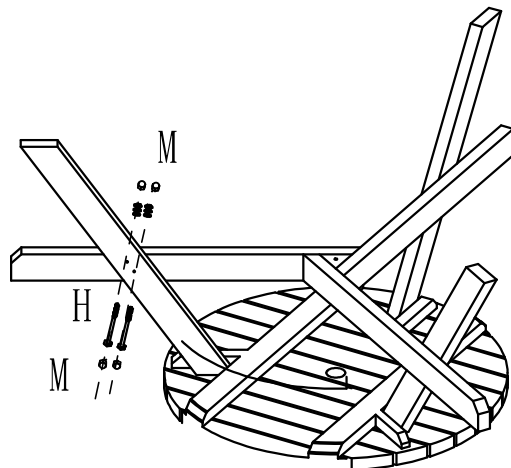
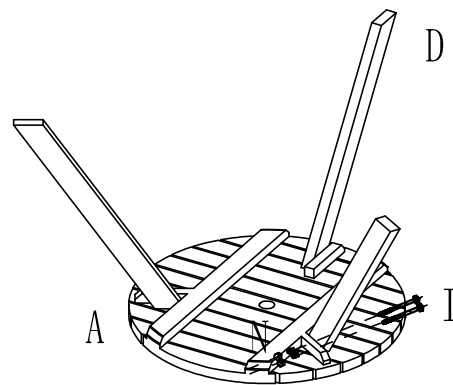
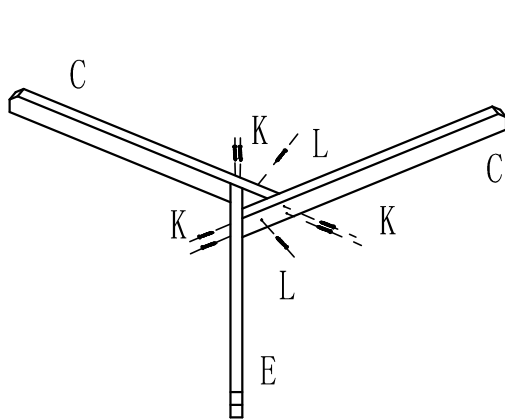
L 4*50mm 5pcs

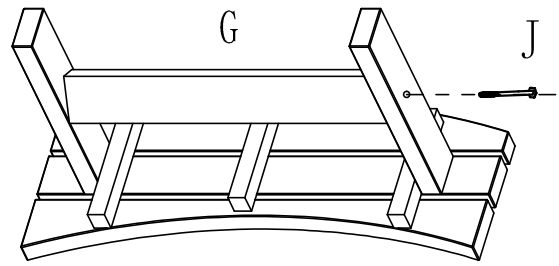
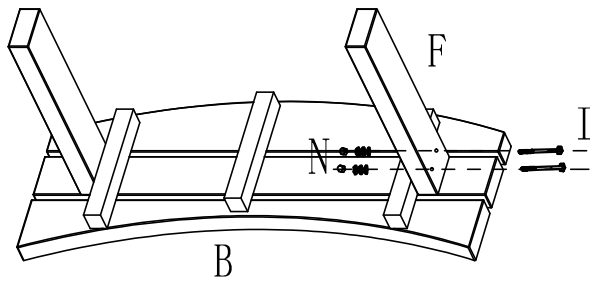


M 24pcs

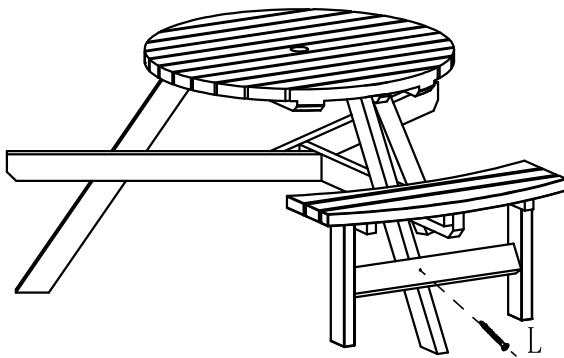


N 18pcs

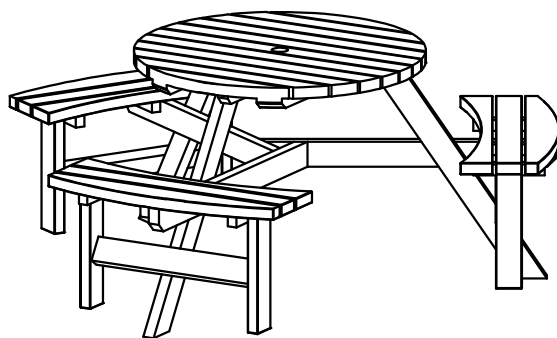
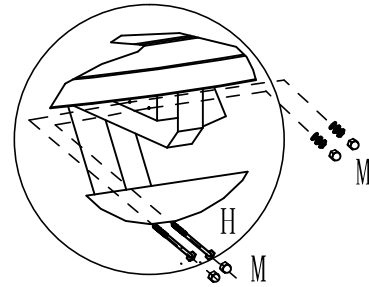




J Bolt Shouldn't Be Too Tight



J Bolt Can Now Be Tightened



All Screws Should Be Tightened
On Completion

