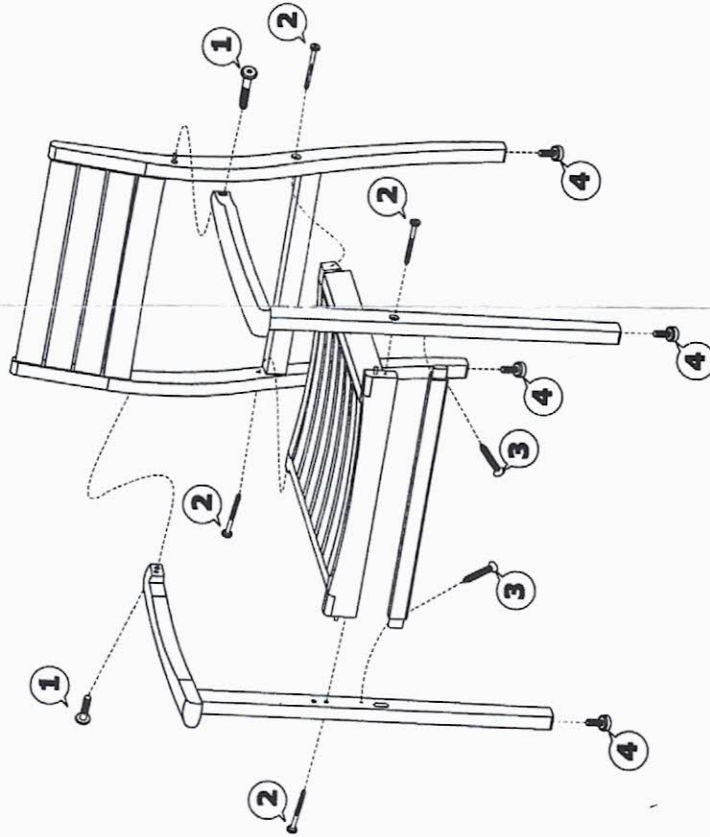









# Assembly Instruction NINIA STACKING CHAIR, KD, TEA

Date : 4 Sep 2015



- 1**  F-bolt M6x50x13-T30, GS X 2 PCS  
SEM201417
- 2**  F-screw 6x60-T30, GS x 4 PCS  
SEM201427
- 3**  Chip board screw 4x50, GS x 2 PCS  
SEM201012
- 4**  Bench foot black, P x 4 PCS  
SEM201254
- 5**  Torx key T30, GS x 1 PCS  
SEM201430

If you have an issue with this product, please do not return it.  
Please contact customer service at:  
1-855-875-0878  
customer@internationalhomemiami.com

SEM103160

Follow the stamped codes (such A,B,1,2, etc.) on each part that shall be assembled