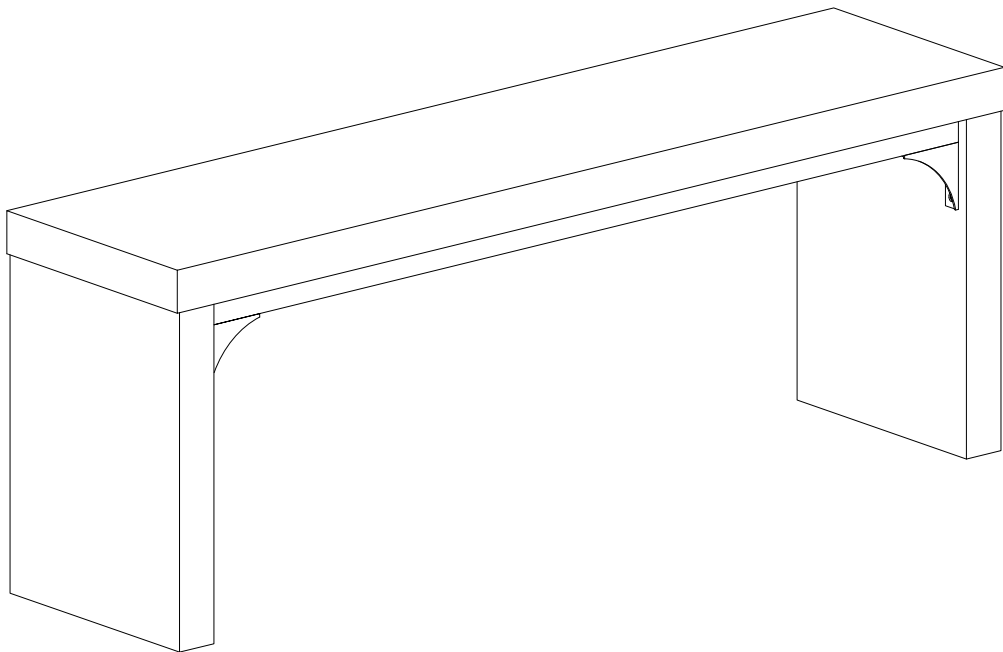
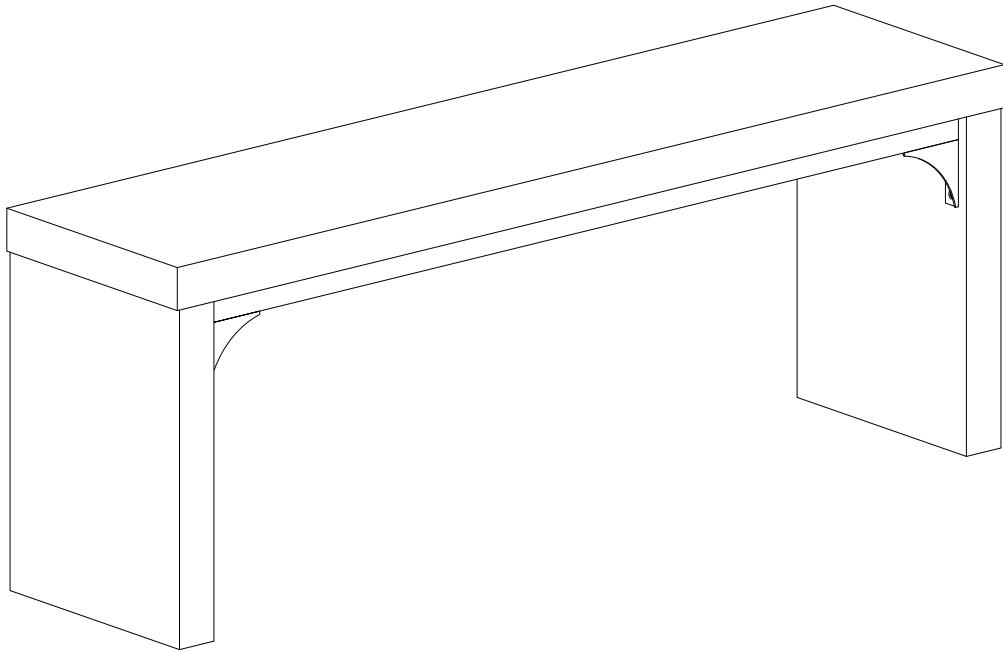
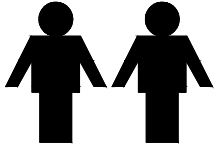
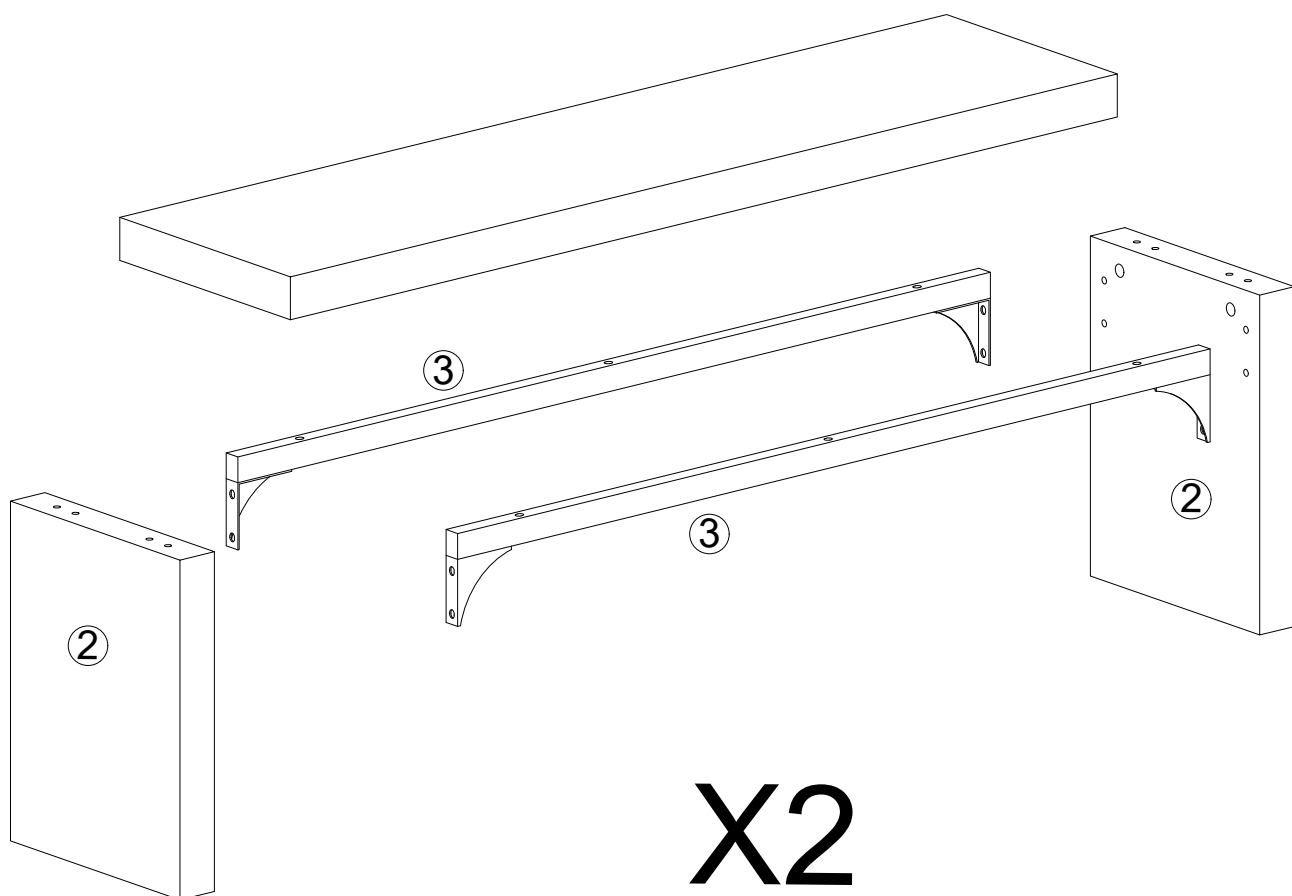
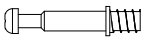


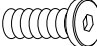
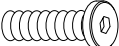



ASSEMBLY INSTRUCTION

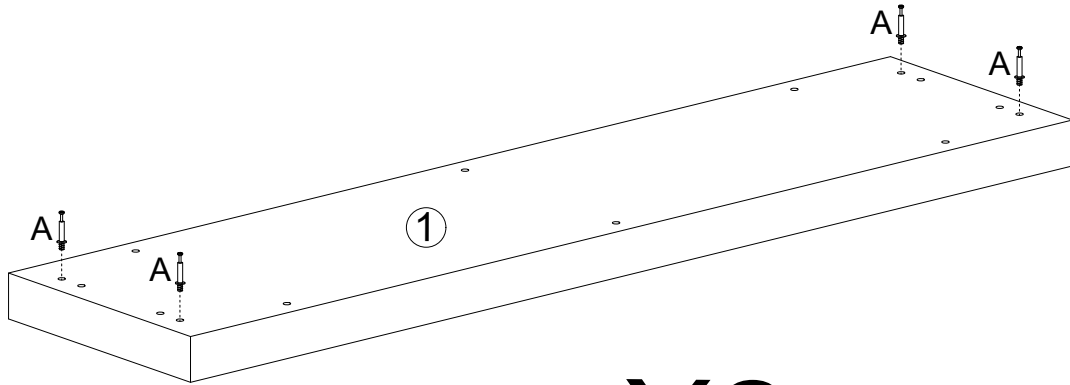
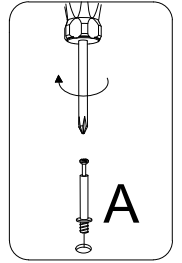


Notes: Don't fully tighten screws until all parts are confirmed in place to avoid misalignment.



A	X8	B	X8	C	X8	D	X16	E	X12	F	X1
											
Ø6X35mm		Ø15X12mm		Ø8X30mm		M6X15mm		M6X45mm		M4X55mm	

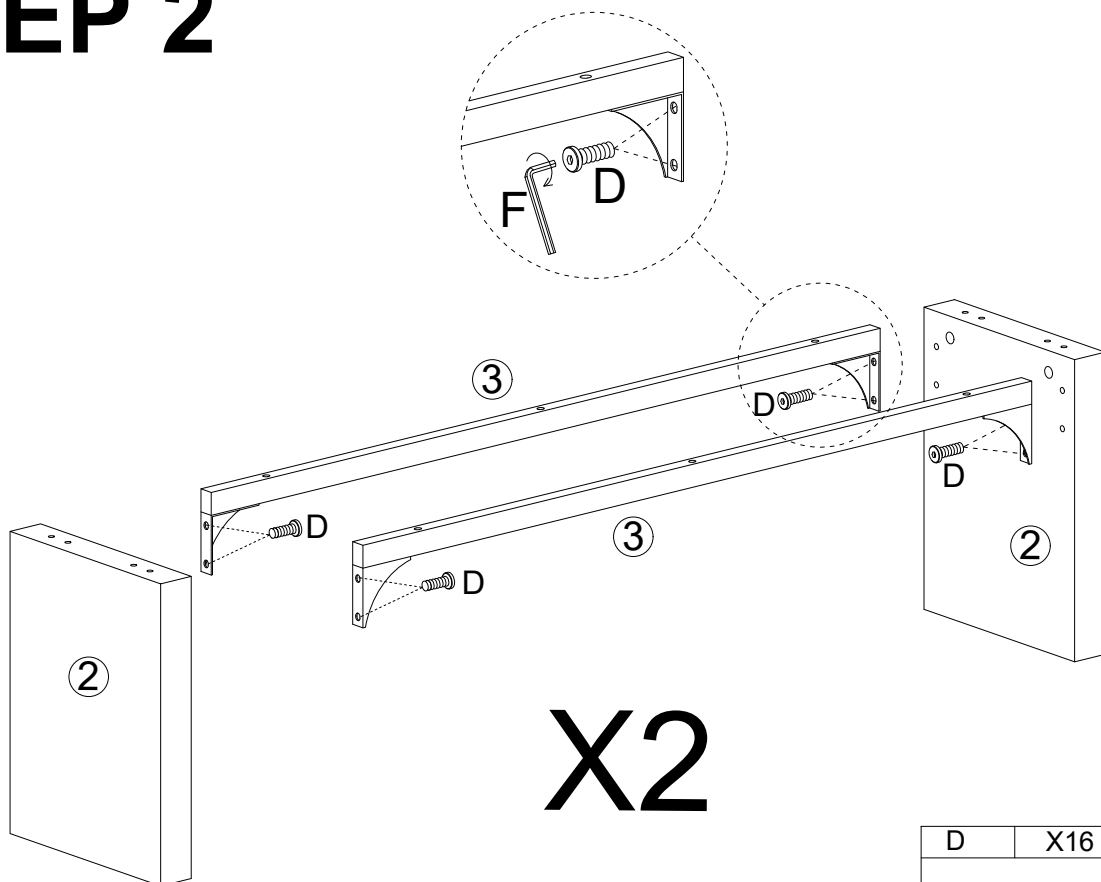
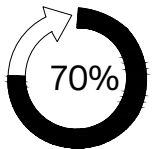
STEP 1



X2

A	X8
Ø6X35mm	

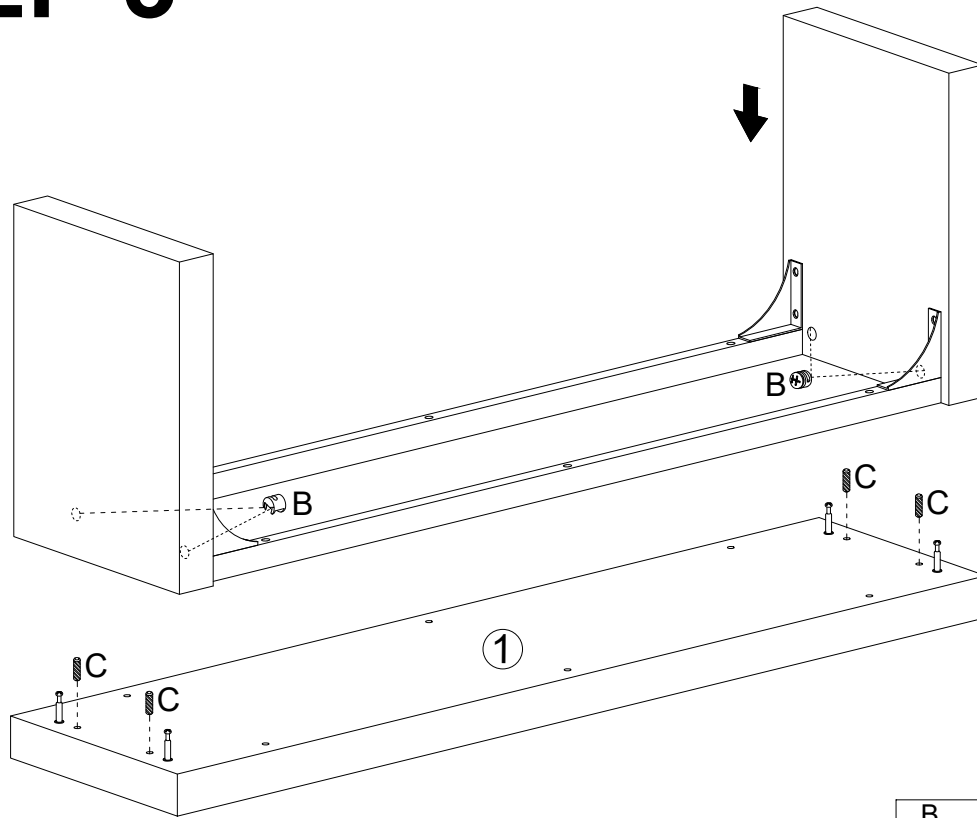
STEP 2





X2

D	X16	F	X1
M6X15mm		M4X55mm	

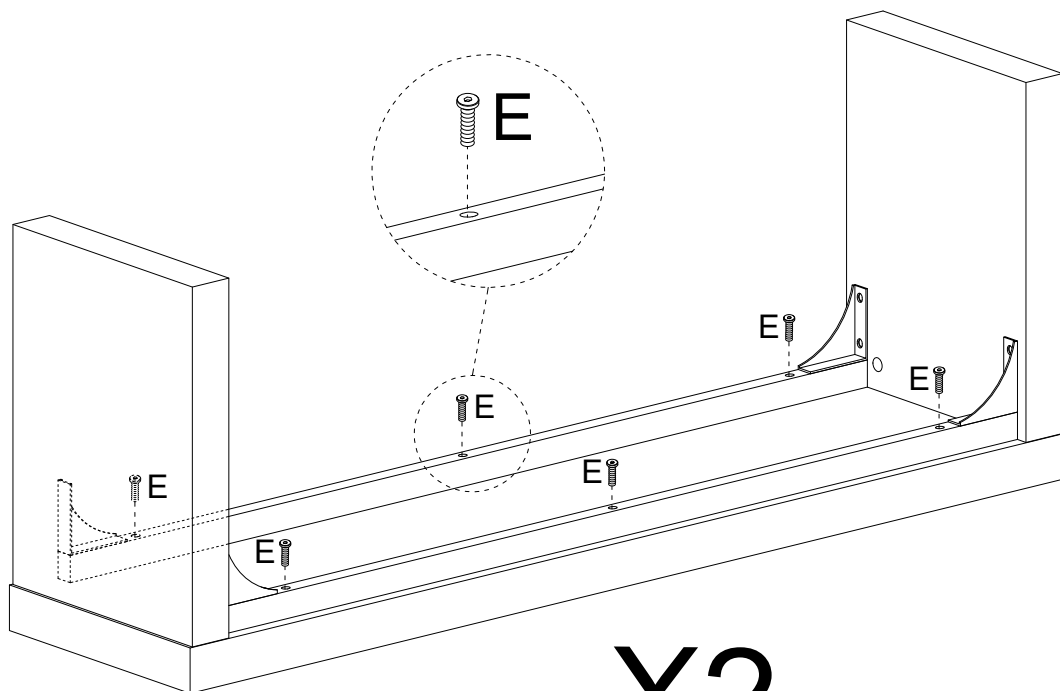
STEP 3



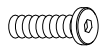
X2

B	X8	C	X8
			
Ø15X12mm		Ø8X30mm	

STEP 4



X2

E	X12
	
M6X45mm	

STEP 5

