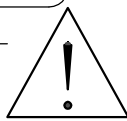
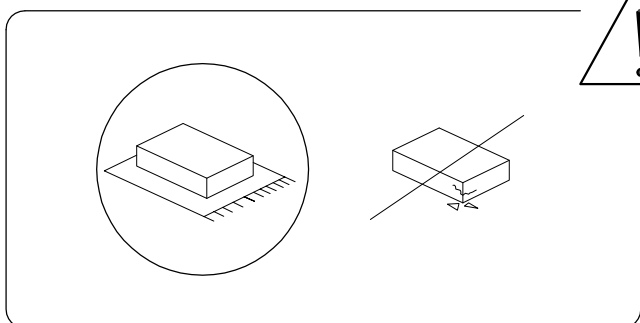
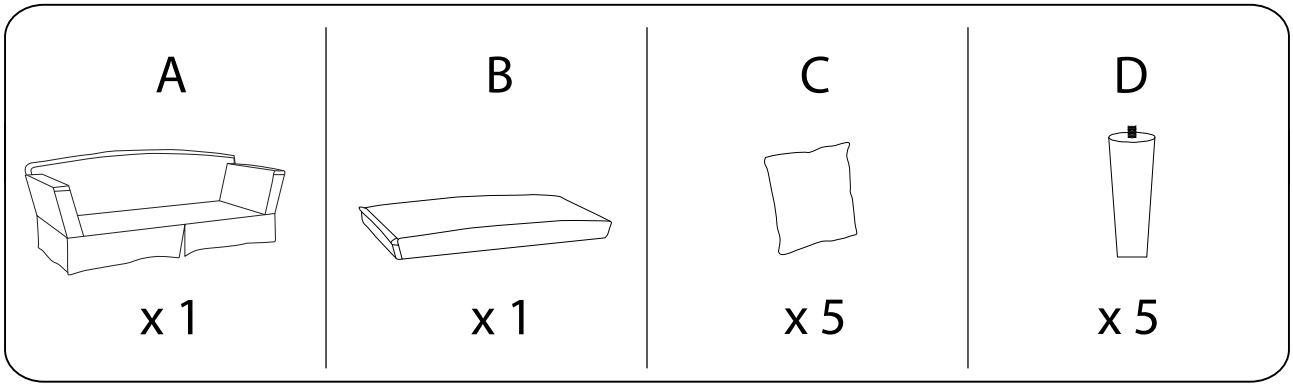


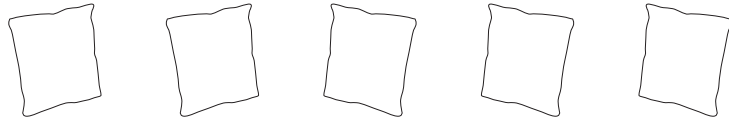
15'



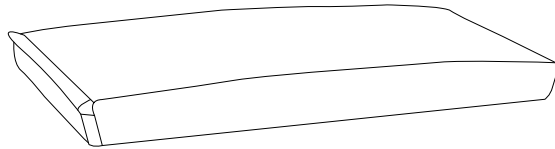
1



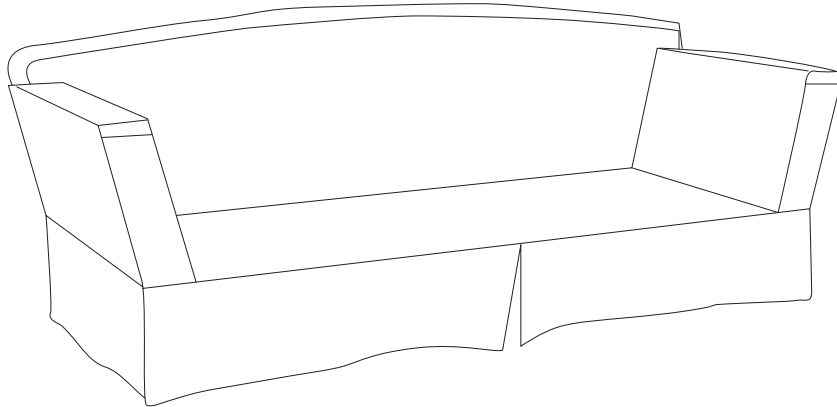
C x 5



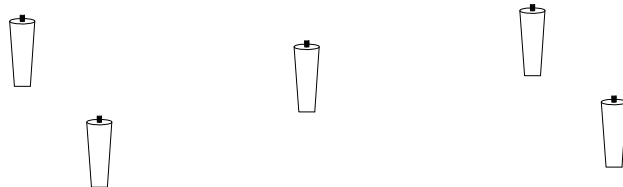
B x 1



A x 1

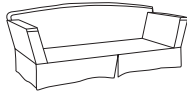


D x 5



1

A

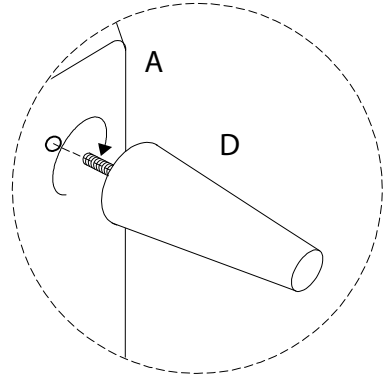
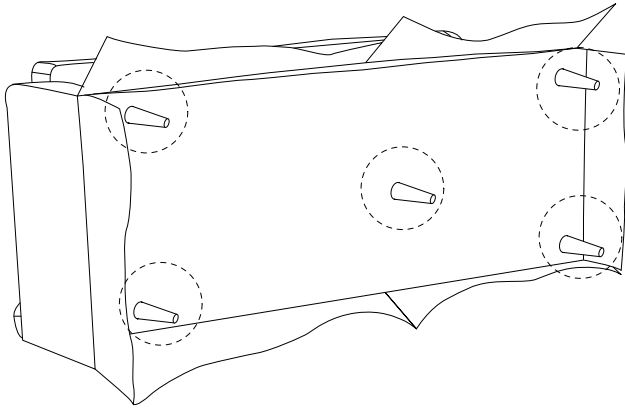


x 1

D



x 5



2

C



x 5

B



x 1

