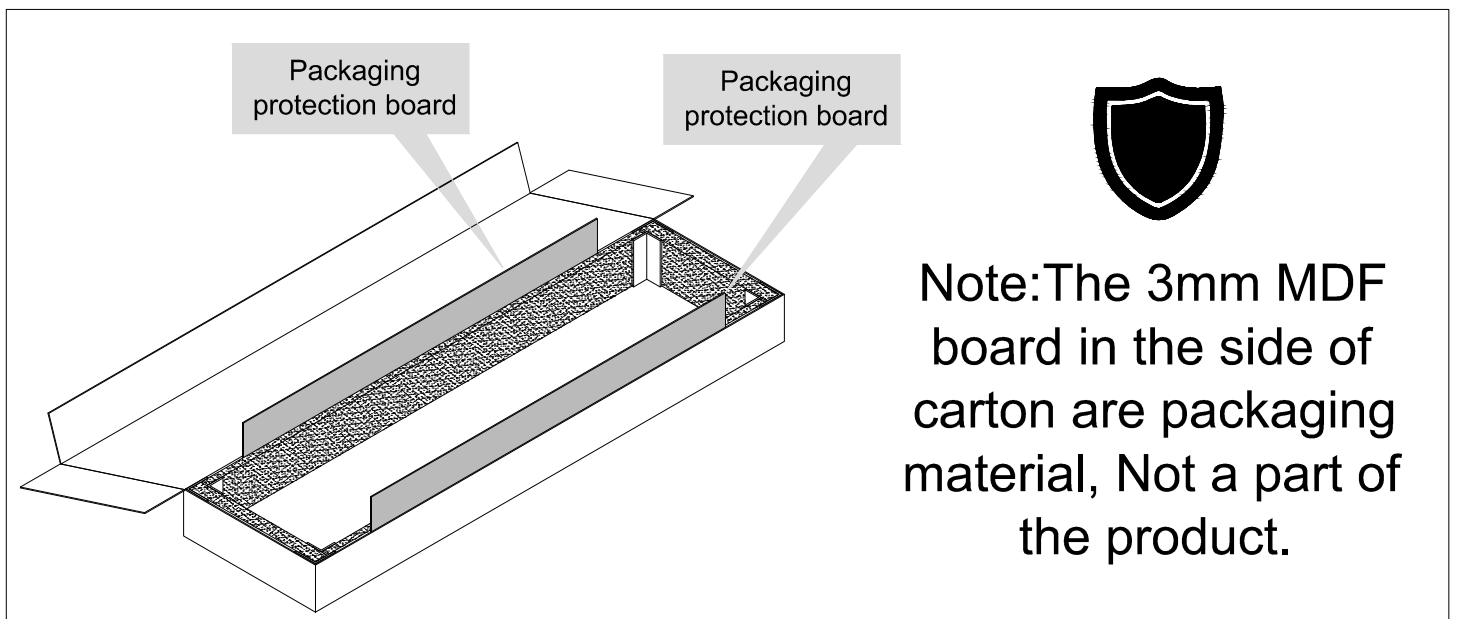
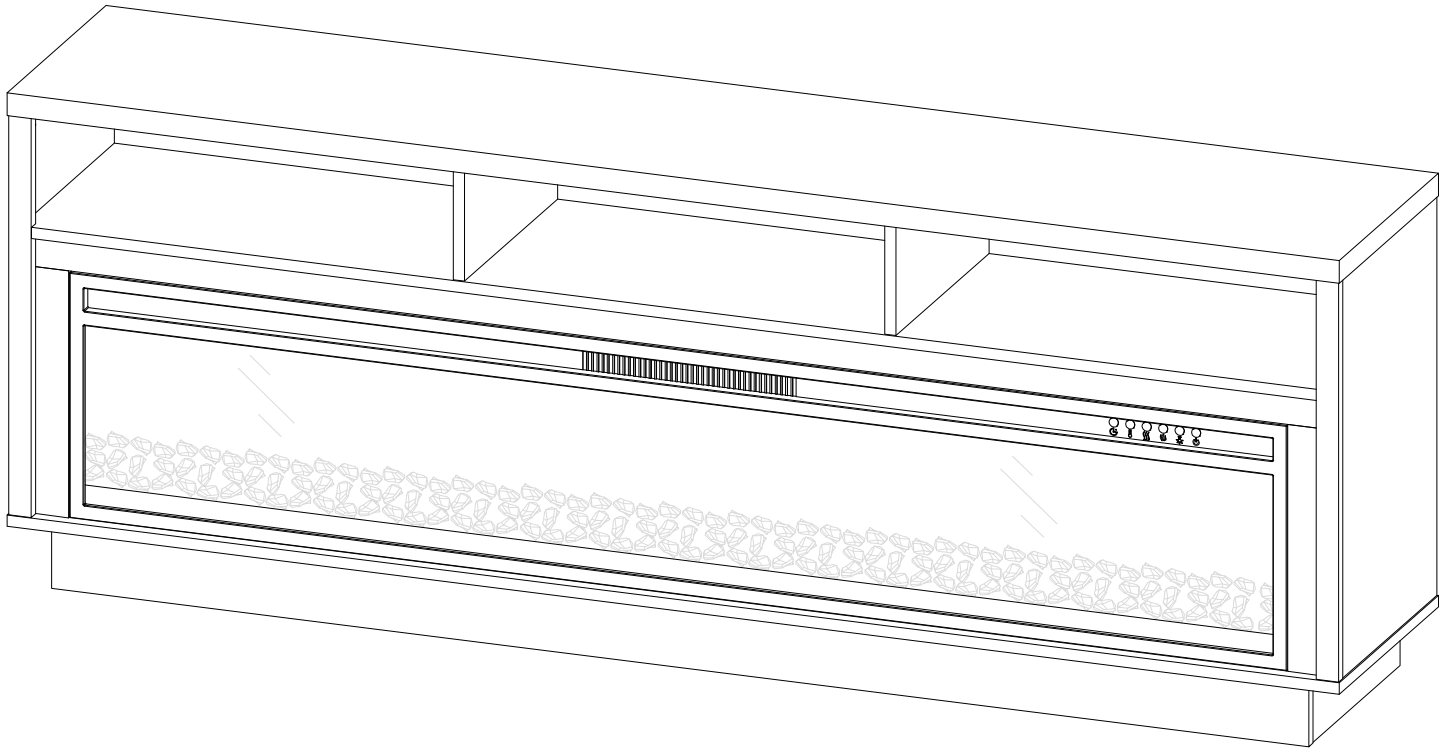
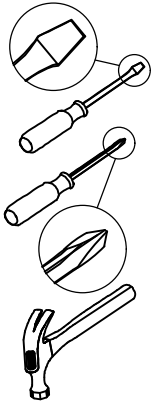

SKU:NYX08-157-70IN



As this item contains many parts, please read the installation instruction carefully before installation . Please use tools properly and carefully.

Before You Start



- ✓ Read through each step carefully and follow the proper order
- ✓ Separate and count all your parts and hardware
- ✓ Give yourself enough room for the assembly process
- ✓ Have the following tools: Flat Head Screwdriver, #2 Phillips Head Screwdriver and Hammer
- ✓ Caution: If using a power drill or power screwdriver for screwing, please be aware of to slow down and stop when screw is tight. Failure to do so may result in stripping the screw. (Assembly speed can be increased by using electric screwdriver)

Helpful Hints

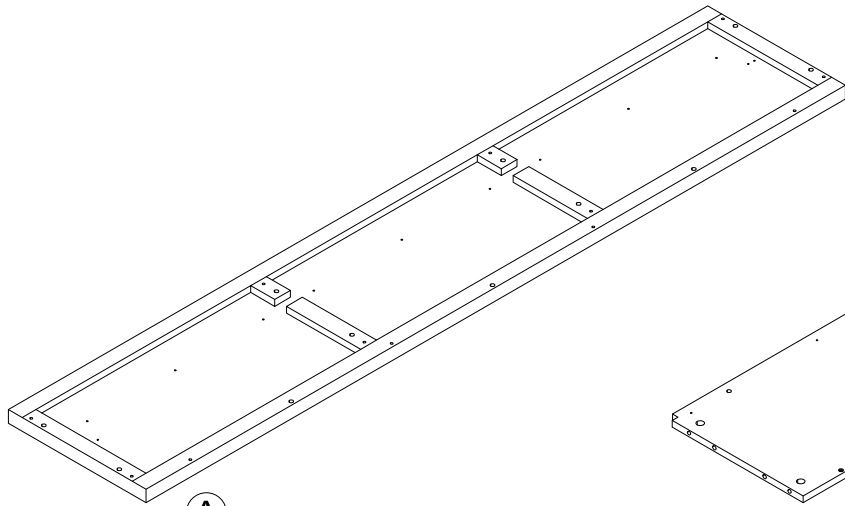
PEOPLE NEEDED FOR ASSEMBLY: 1-2

- Open your item in the area you plan to keep it to avoid excessive heavy lifting.
- Identify, sort and count the parts before attempting assembly.
- Compression dowels are lightly tapped in with a hammer.
- Slides are labeled with an **R** (right) and **L** (left) for proper placement.
- Make sure to always face the point on the top of the Cam Lock towards the outer edge.
- If there is a back panel in the package, please install it to make sure your unit is complete and sturdy.
- Please fix all the screws provided for the back panel which can enhance product stability. If it is difficult to fix it when tightening, it can be fixed with the help of a hammer and then tightened.
- Do NOT use harsh chemicals or abrasive cleaners on this item.
- Never push, pull, or drag your furniture.

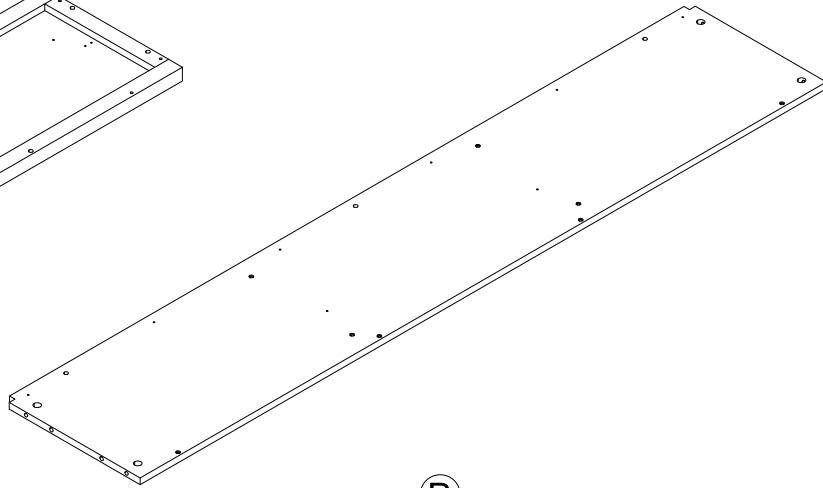


Board Identification

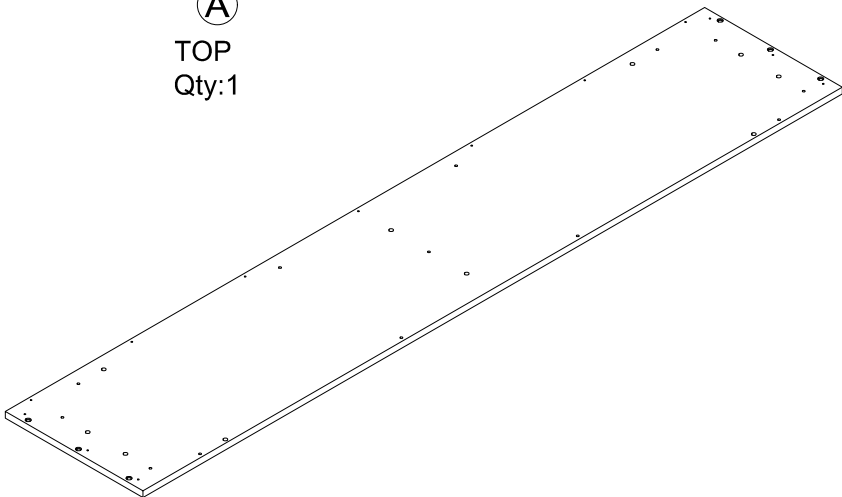
Not actual size



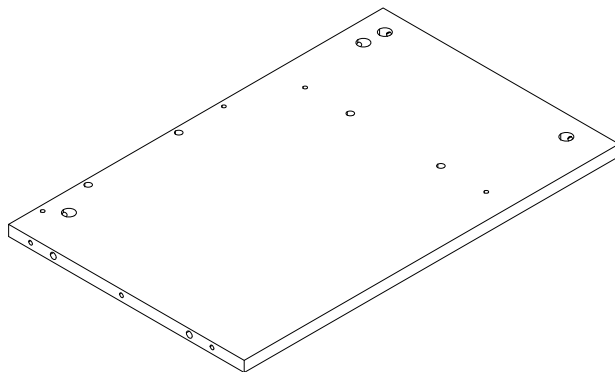
(A)
TOP
Qty:1



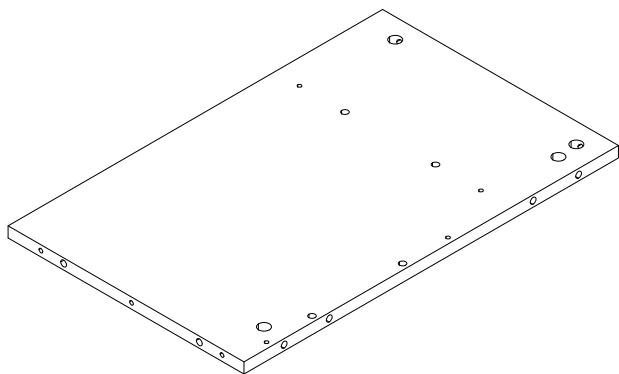
(B)
FIXED SHELF
Qty:1



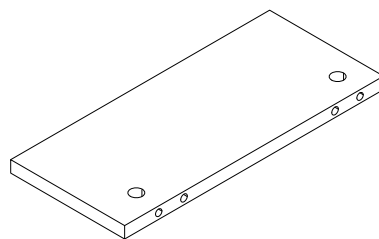
(C)
BOTTOM
Qty:1



(D)
LEFT SIDE PANEL
Qty:1



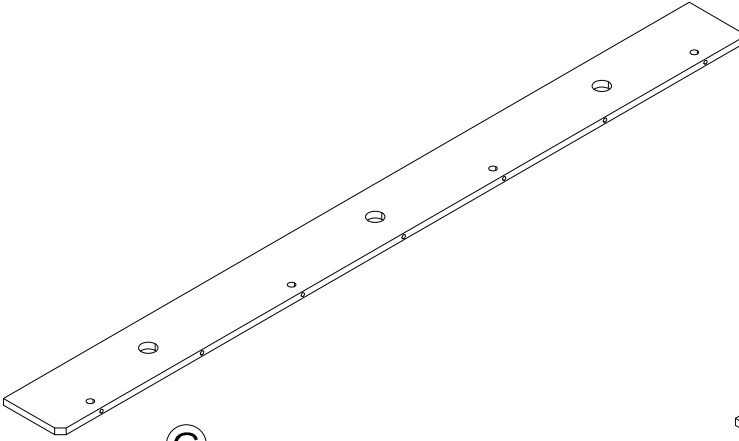
(E)
RIGHT SIDE PANEL
Qty:1



(F)
UPPER PARTITION
Qty:2

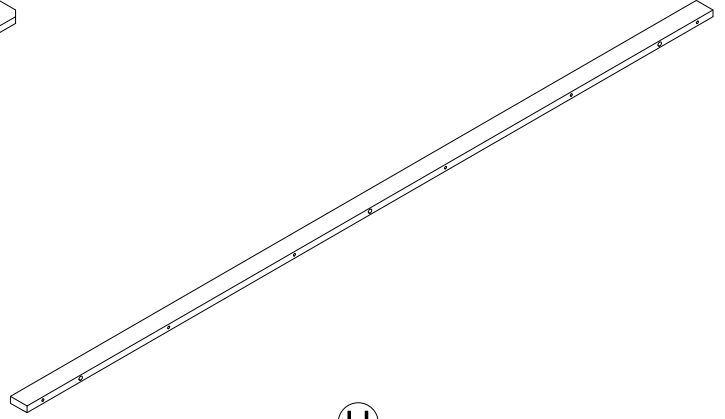
Board Identification

Not actual size



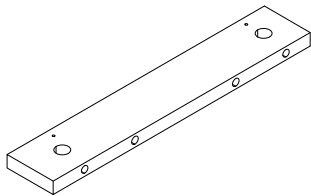
Ⓒ

BACK PANEL
Qty:1



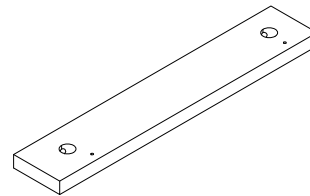
Ⓗ

RAIL
Qty:1



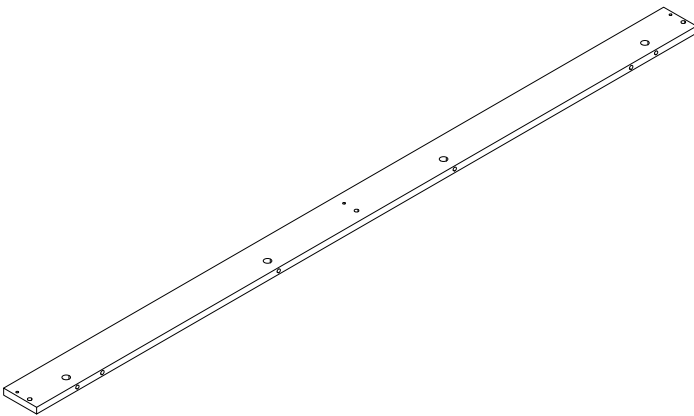
Ⓘ

LEFT RAIL
Qty:1



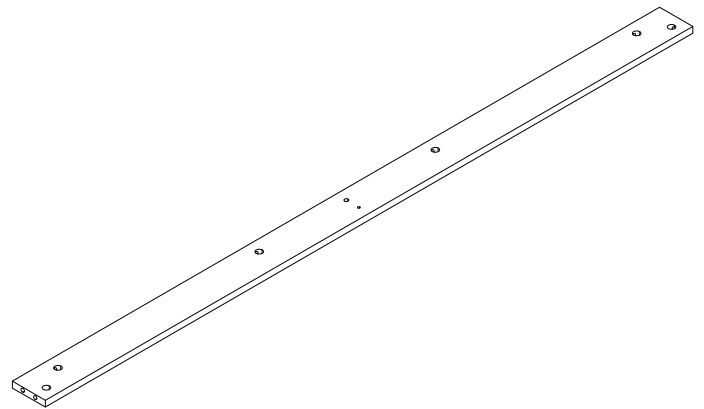
Ⓙ

RIGHT RAIL
Qty:1



Ⓚ

FRONT BASE PANEL
Qty:1

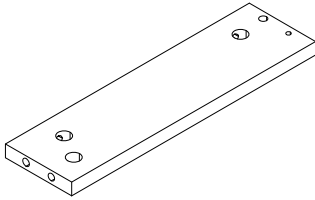


Ⓛ

BACK BASE PANEL
Qty:1

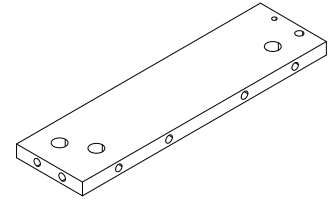
Board Identification

Not actual size



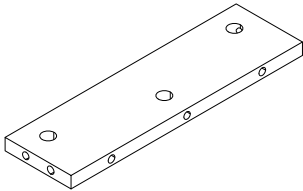
Ⓜ

LEFT BASE PANEL
Qty:1



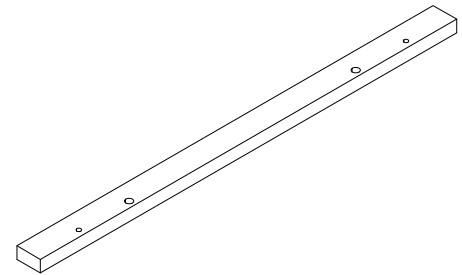
Ⓝ

RIGHT BASE PANEL
Qty:1



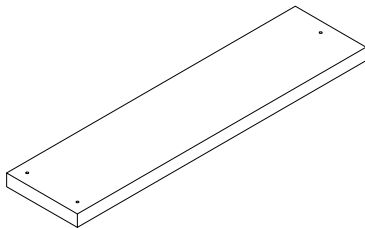
Ⓞ

MIDDLE BASE PANEL
Qty:1



Ⓟ

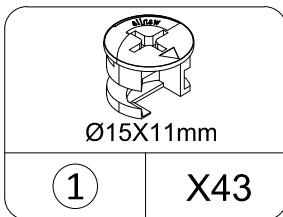
RAIL
Qty:2



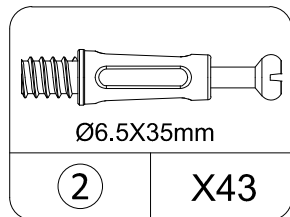
Ⓠ

BACK SUPPORT RAIL
Qty:2

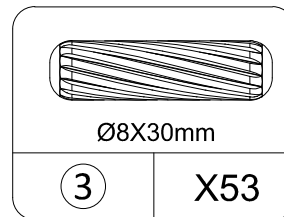
Part List



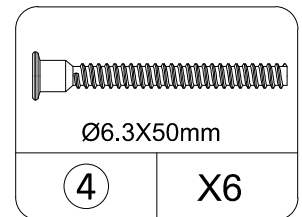
CAM LOCK
spare:1



CAM BOLT
spare:1

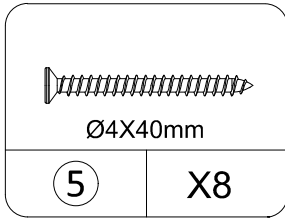


WOODEN DOWEL
spare:2

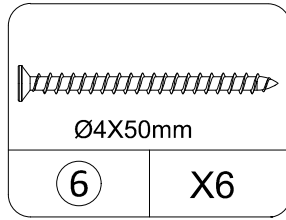


SCREW
spare:1

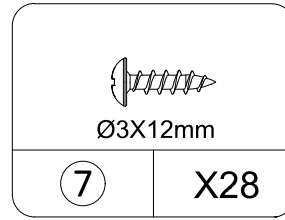
Part List



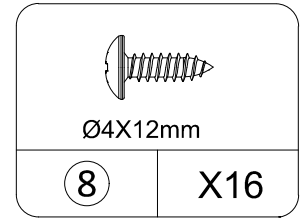
SCREW
spare:1



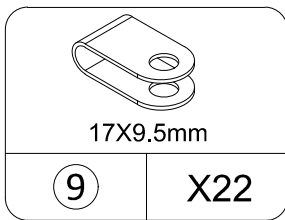
SCREW
spare:1



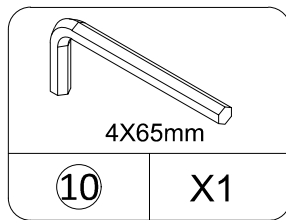
SCREW
spare:1



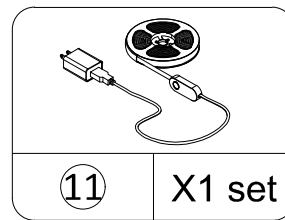
SCREW
spare:1



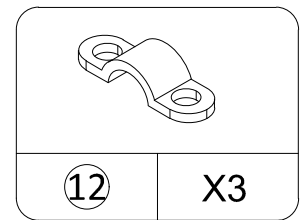
LAMP BELT BUCKLE
spare:1



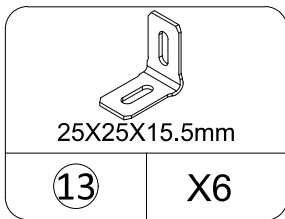
HEX KEY



LAMP TUBE



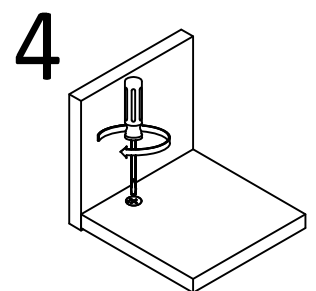
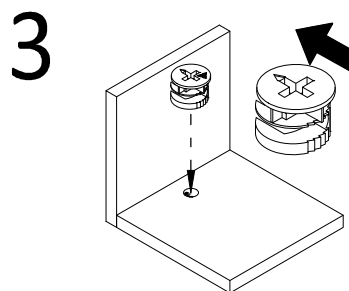
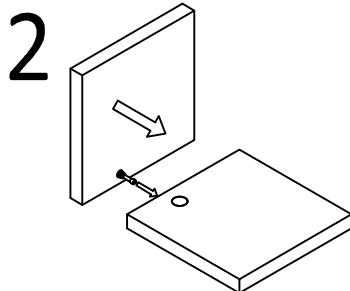
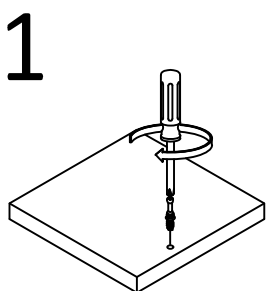
LIGHT WIRE HOLDER



L-SHAPED IRON

Cam Lock Fastening System

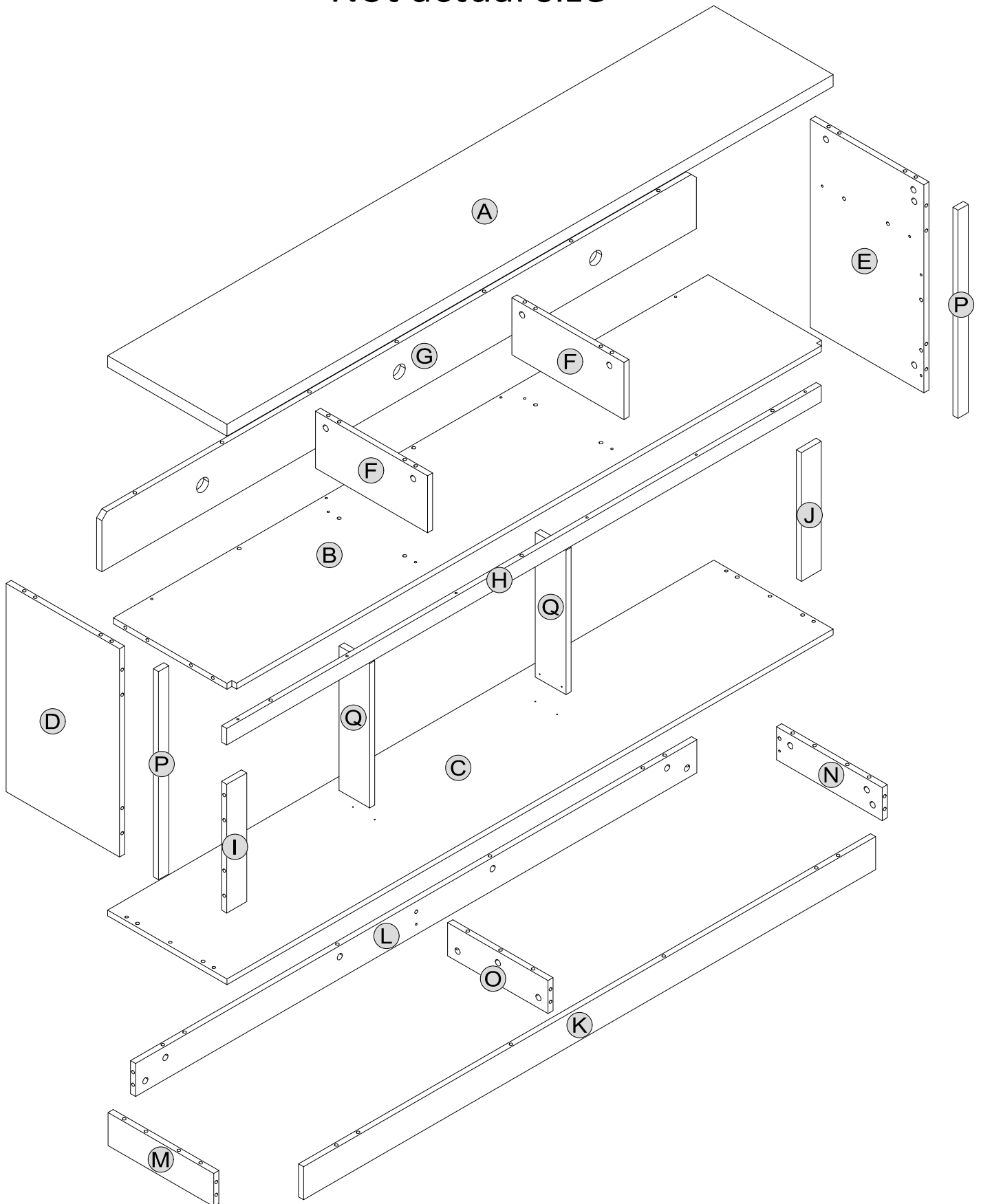
Insert the cam bolt into the hole first, then insert the cam lock and lock it.



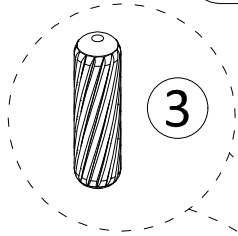
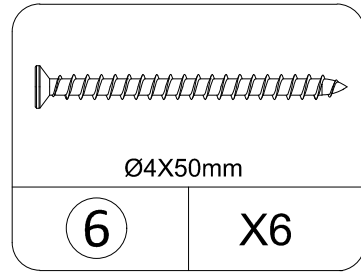
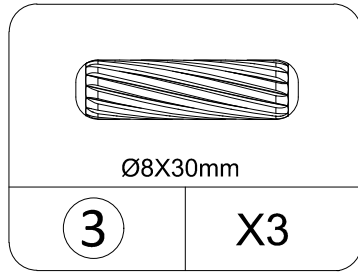
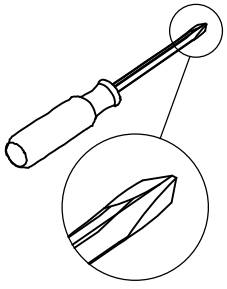
The opening must point toward the edge of the board

Board Identification

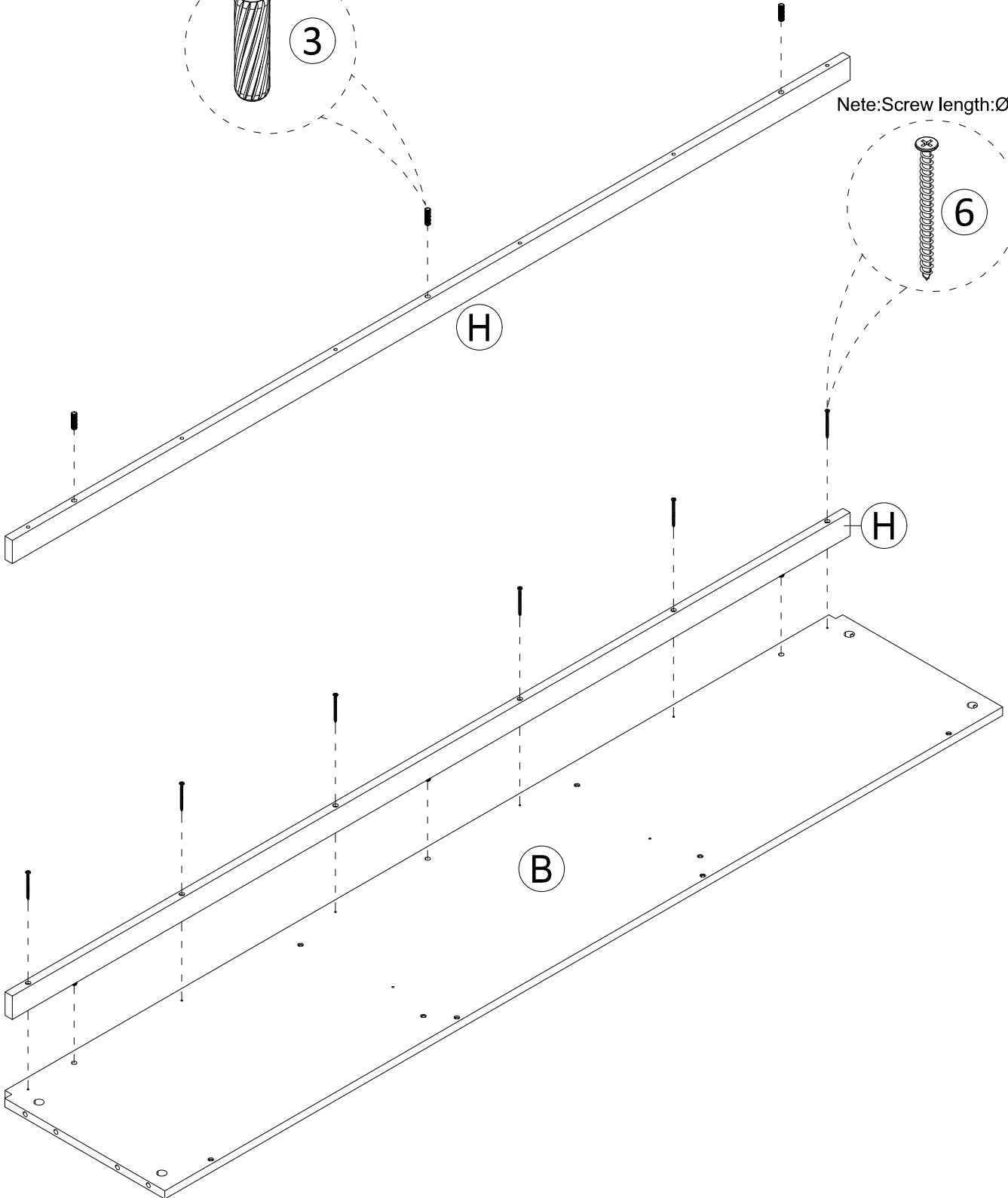
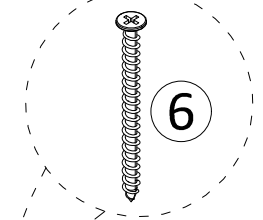
Not actual size



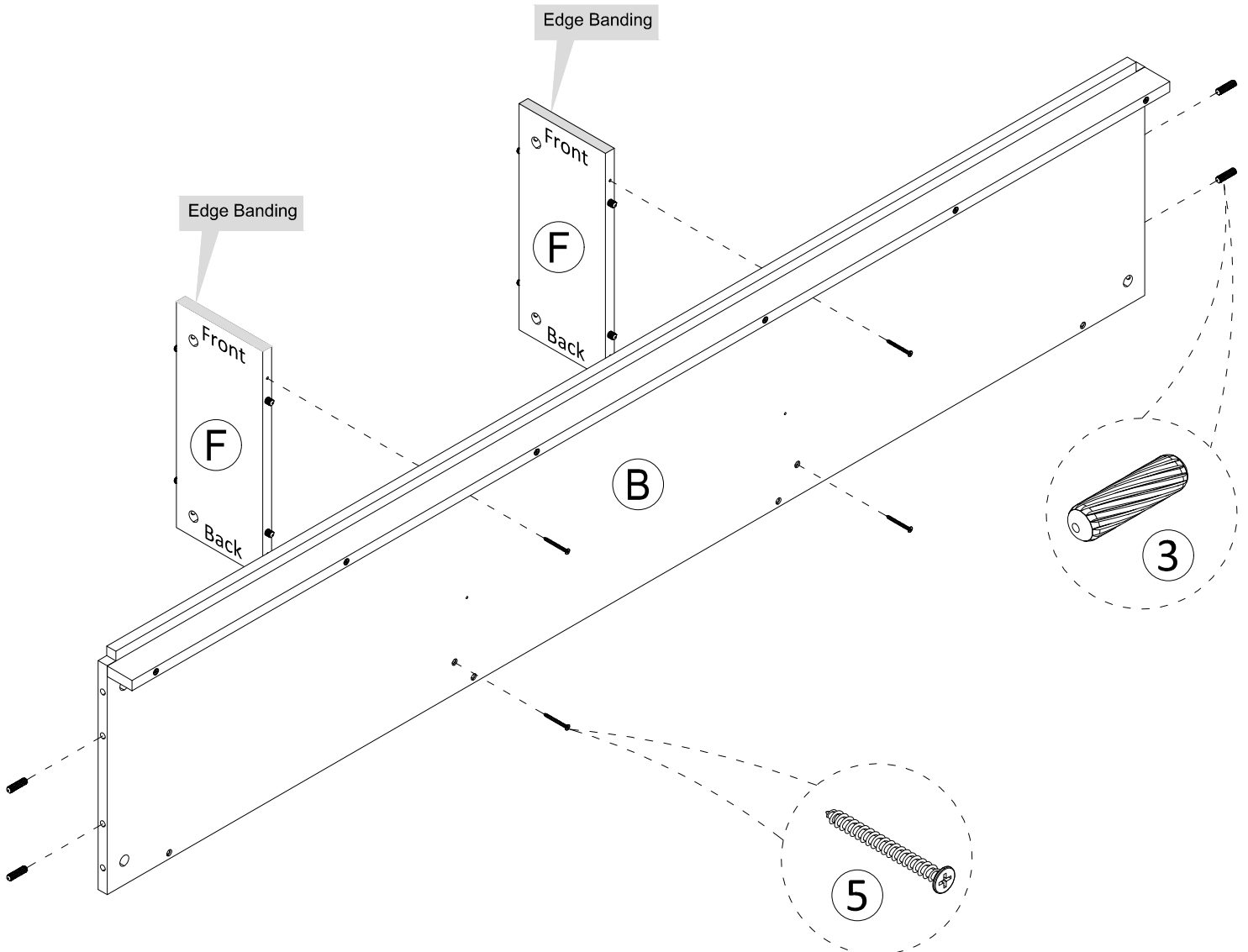
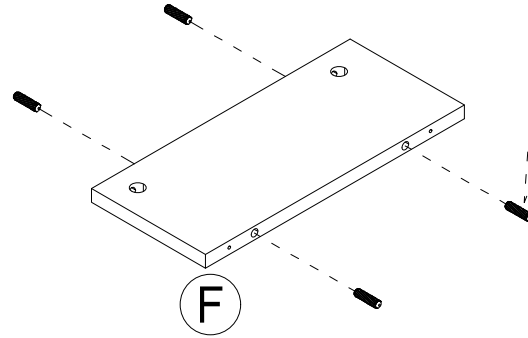
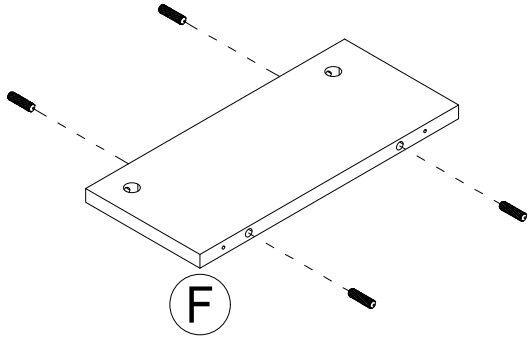
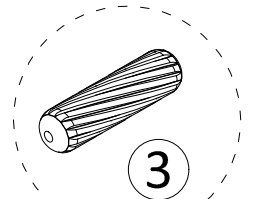
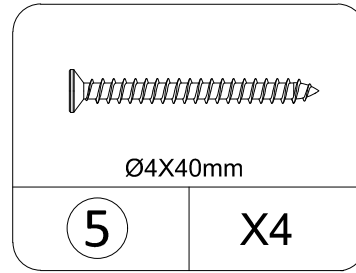
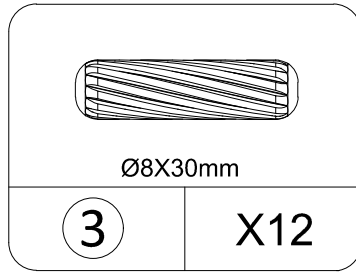
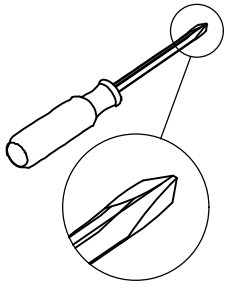
STEP1



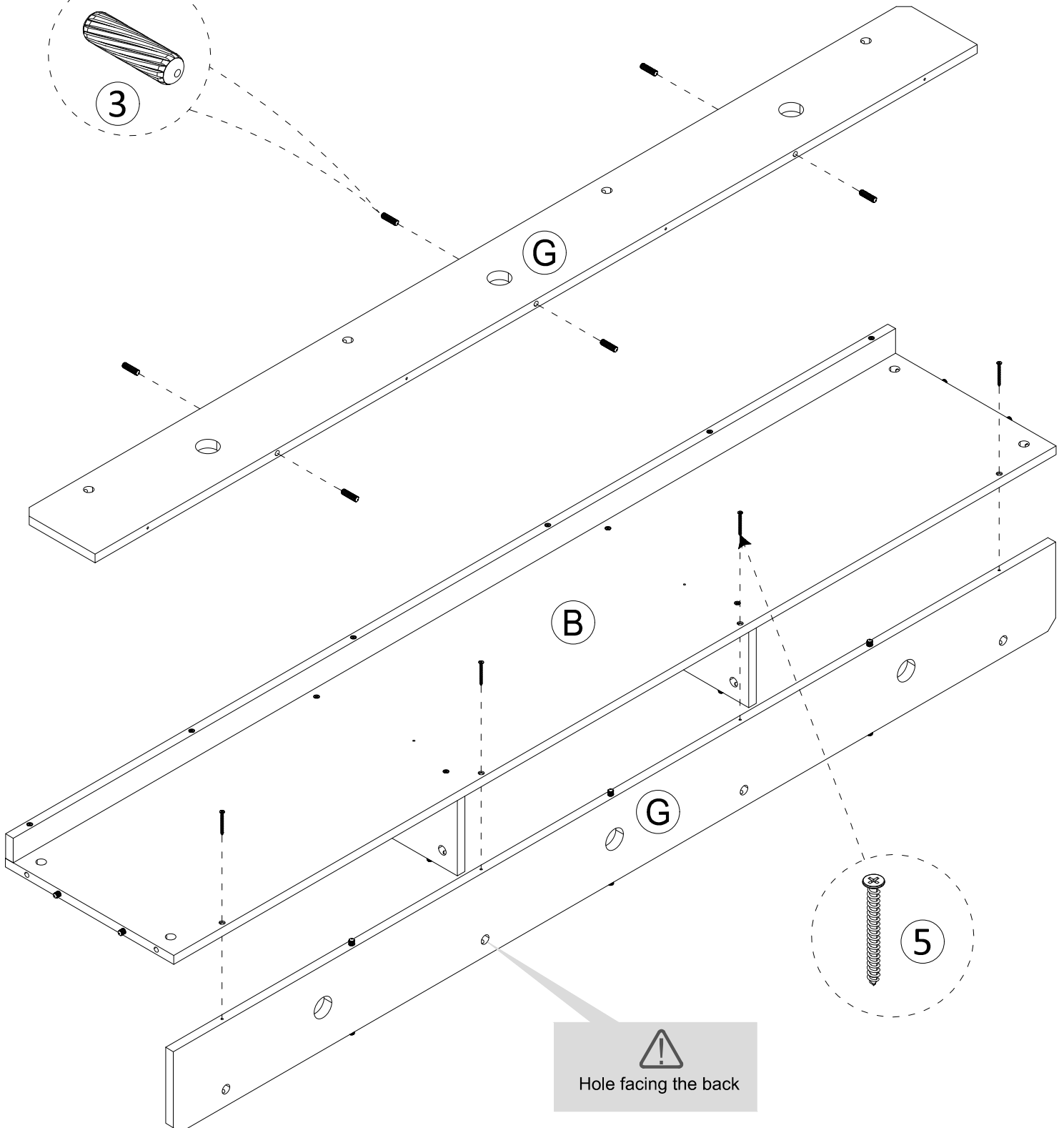
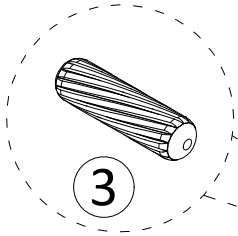
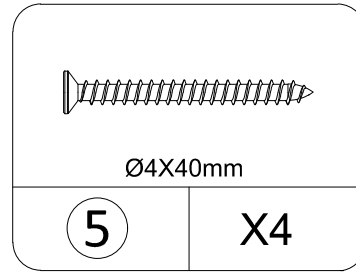
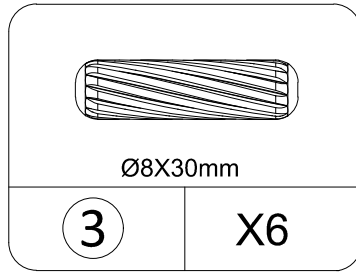
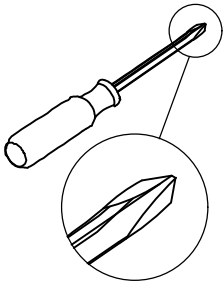
Note: Screw length: Ø4X50mm



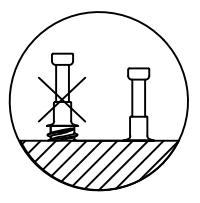
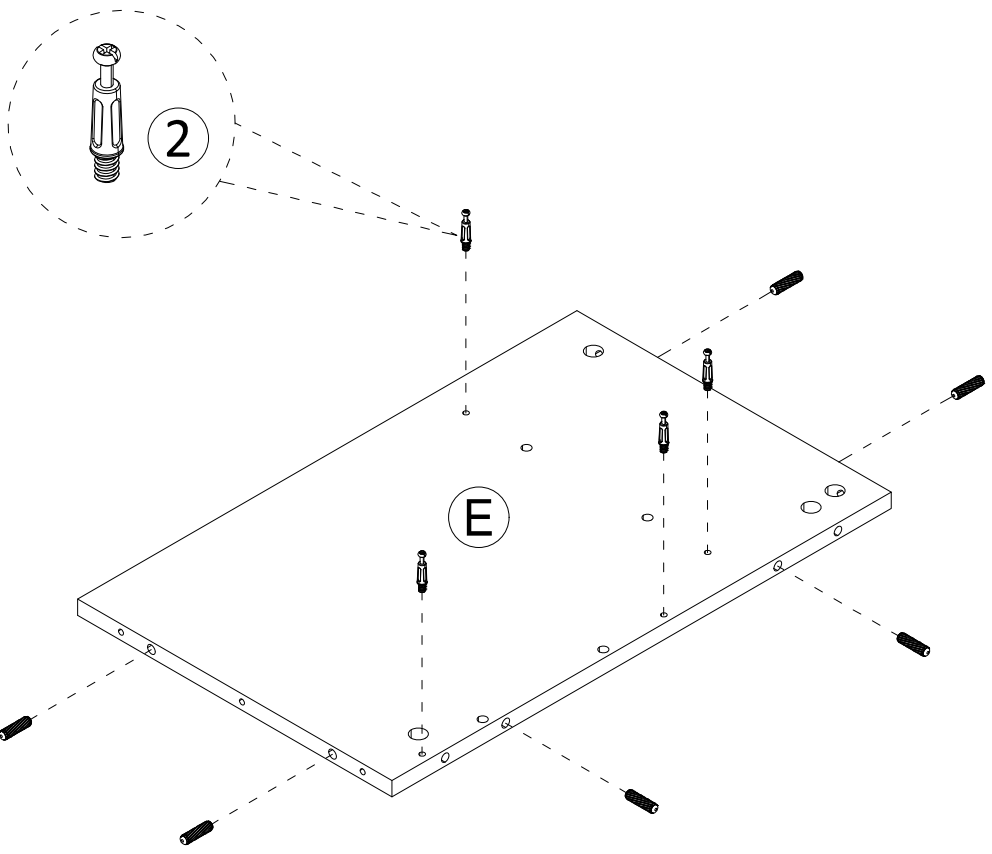
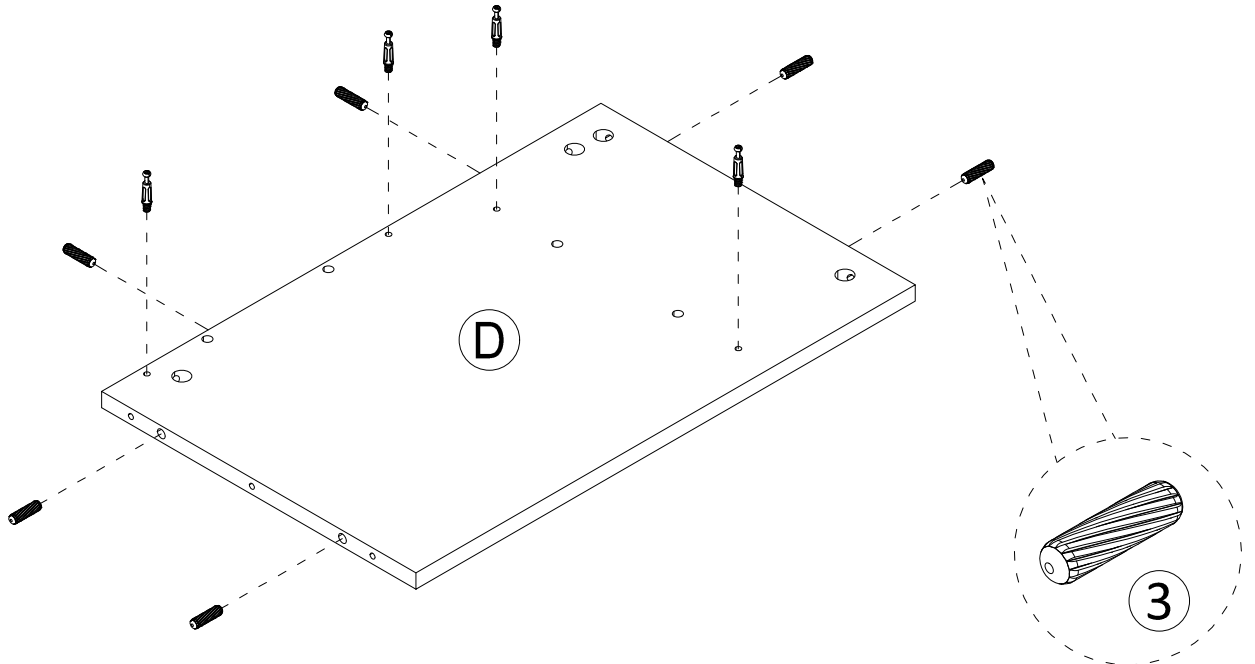
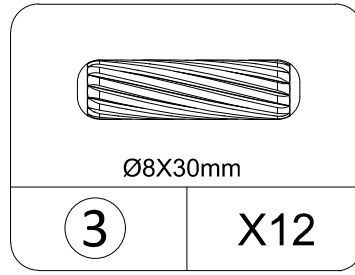
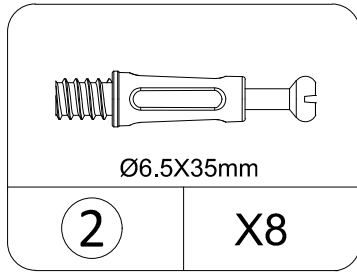
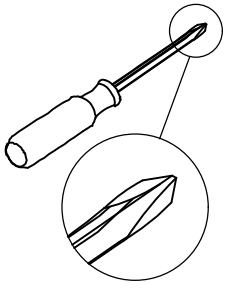
STEP2



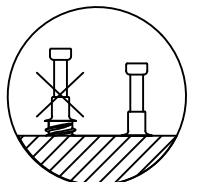
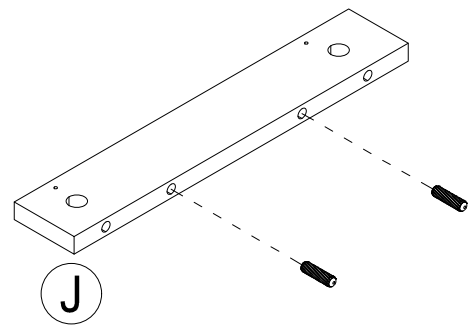
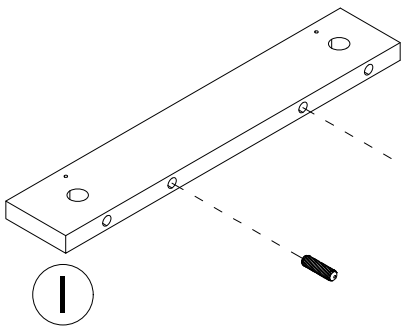
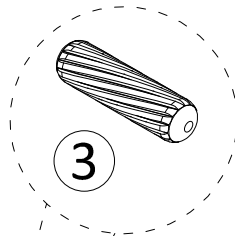
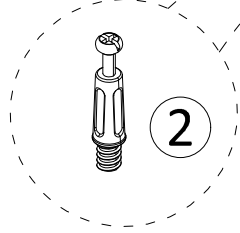
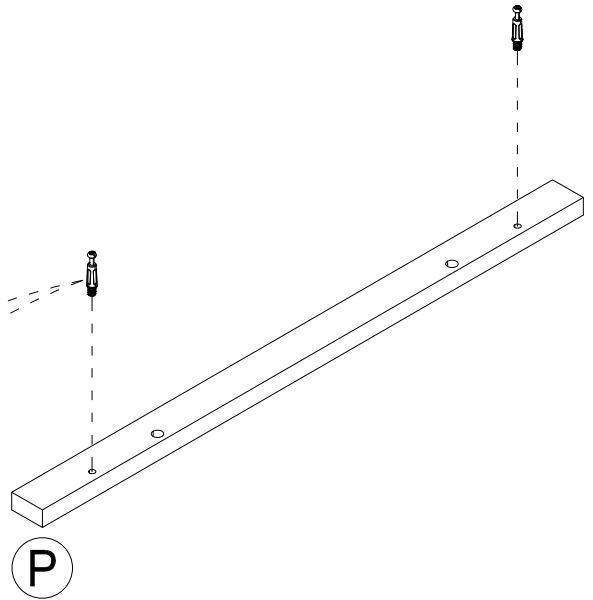
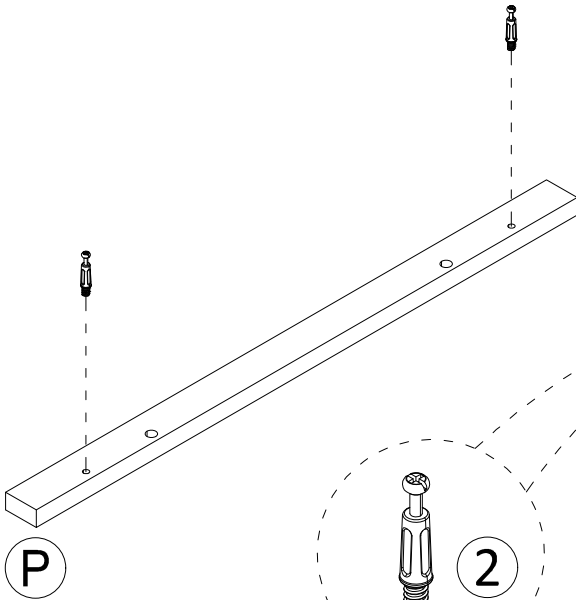
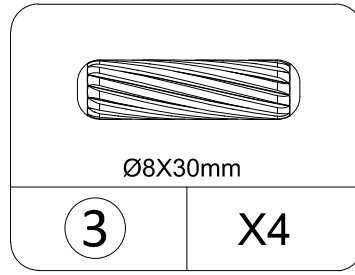
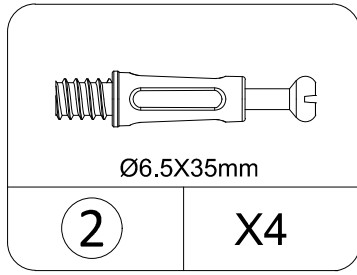
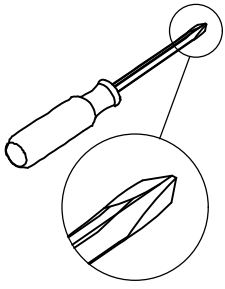
STEP 3



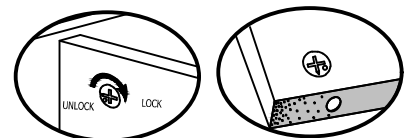
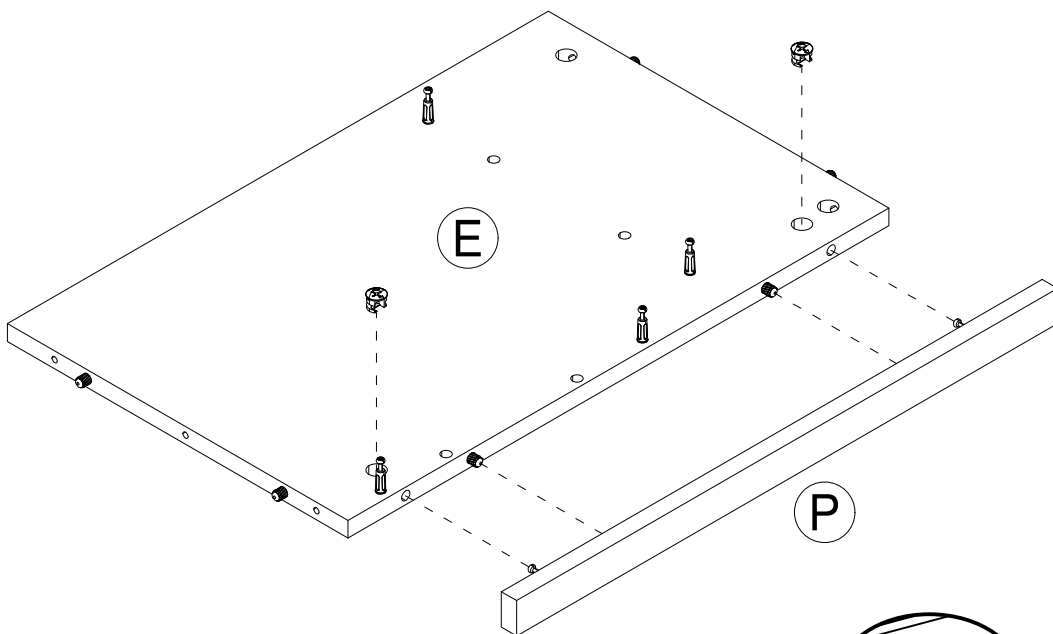
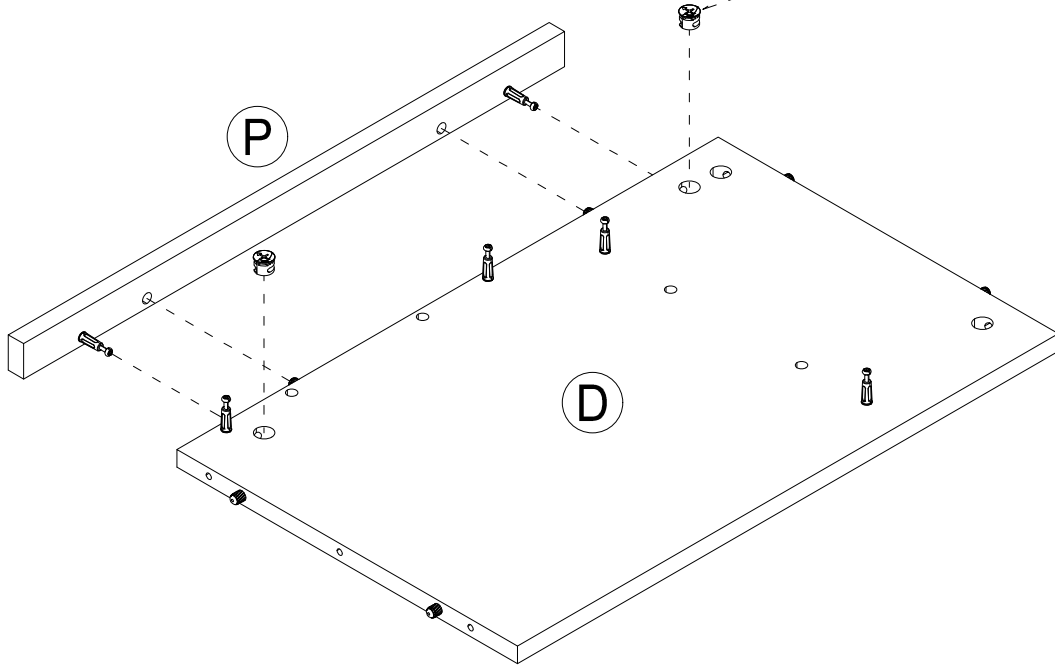
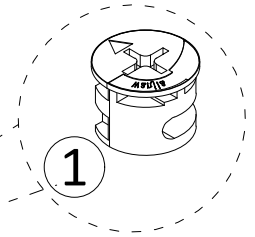
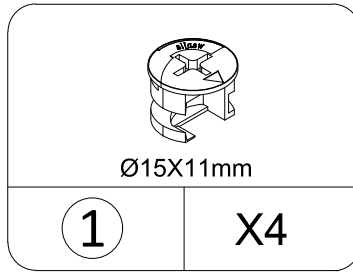
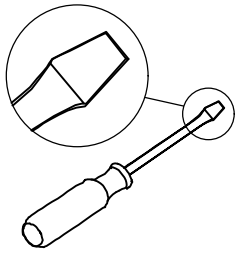
STEP4



STEP 5

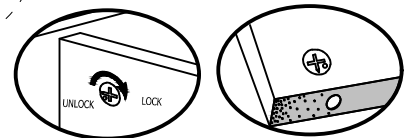
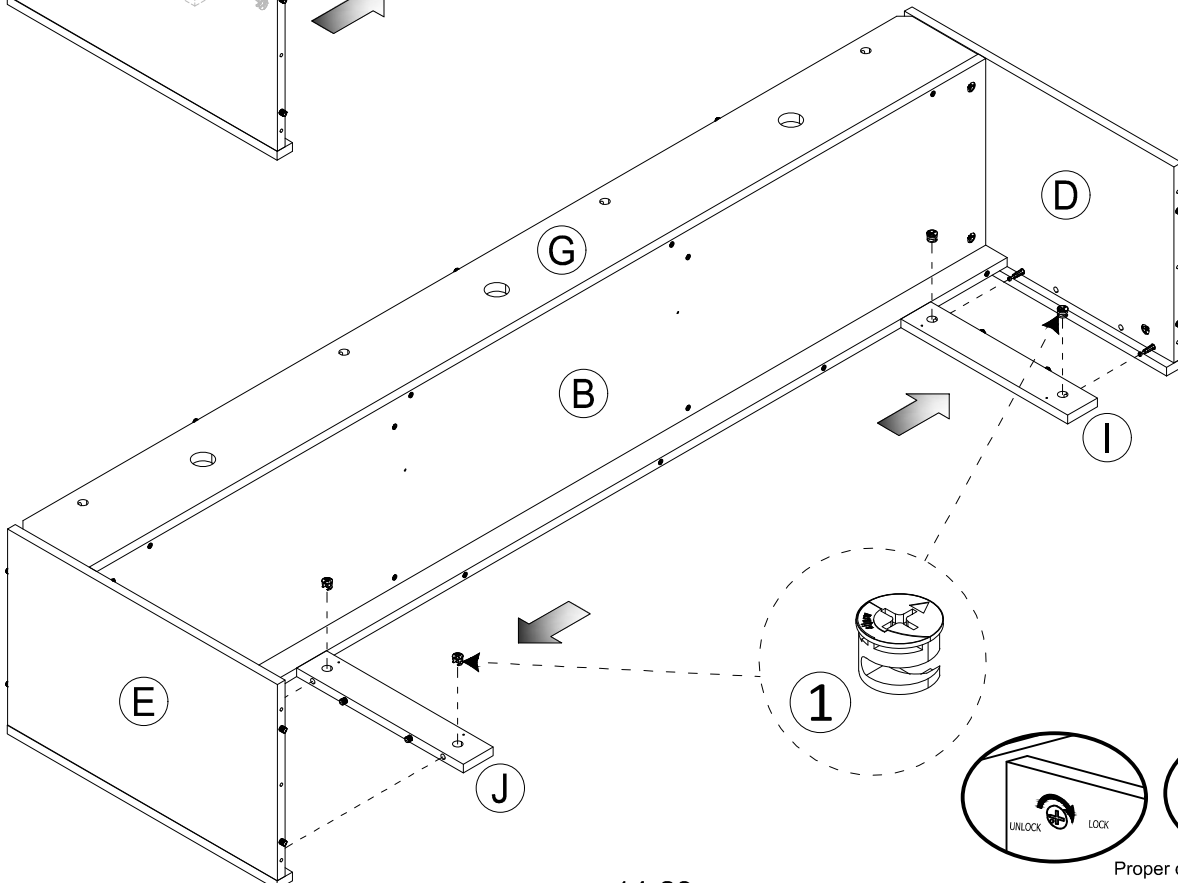
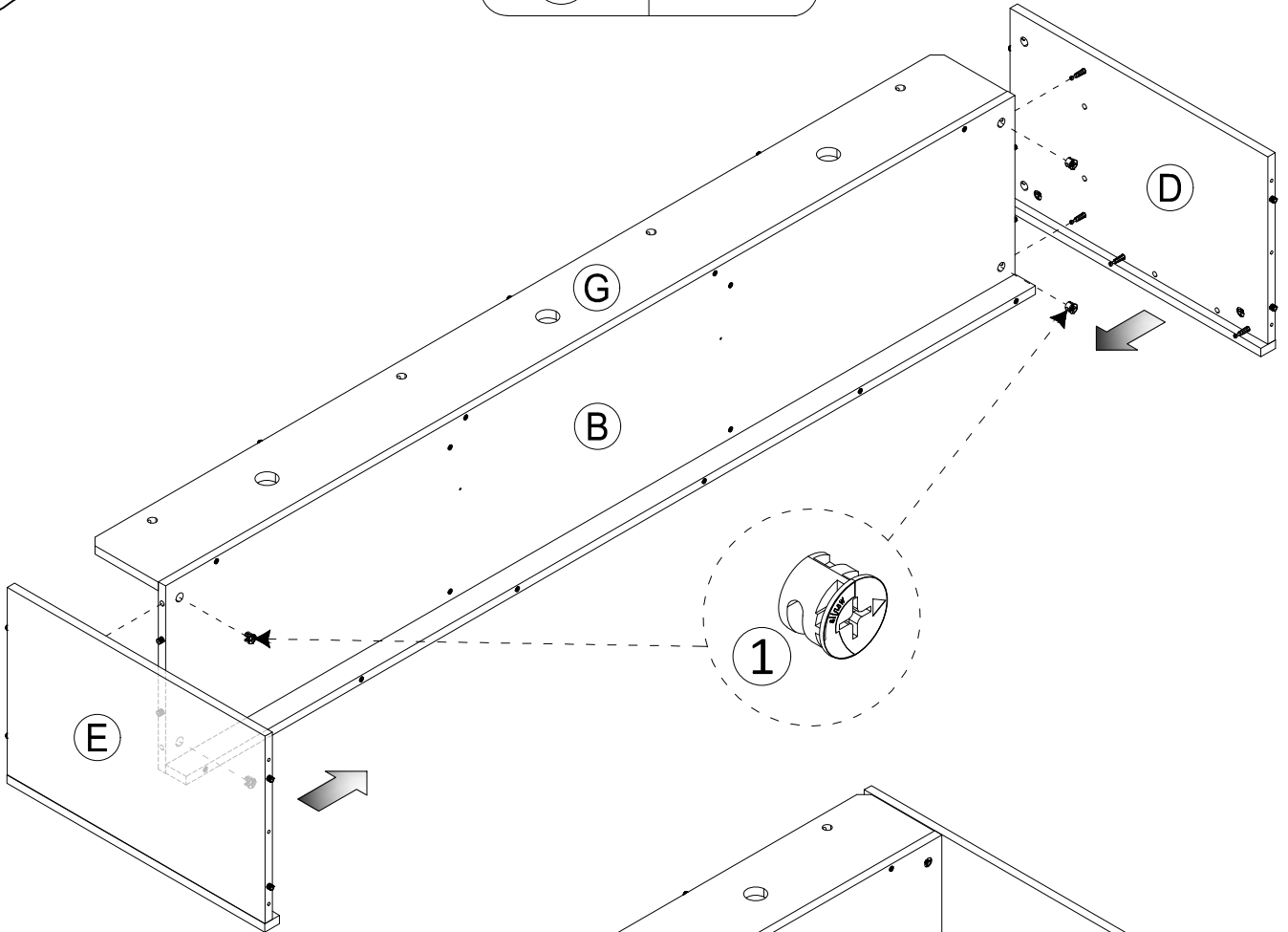
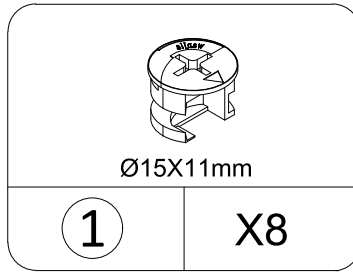
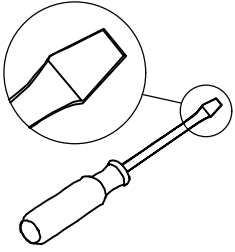


STEP 6

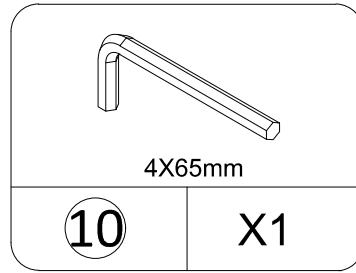
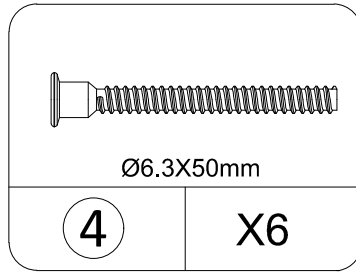
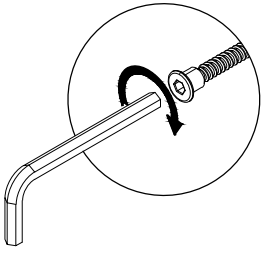


Proper orientation of CAM LOCK

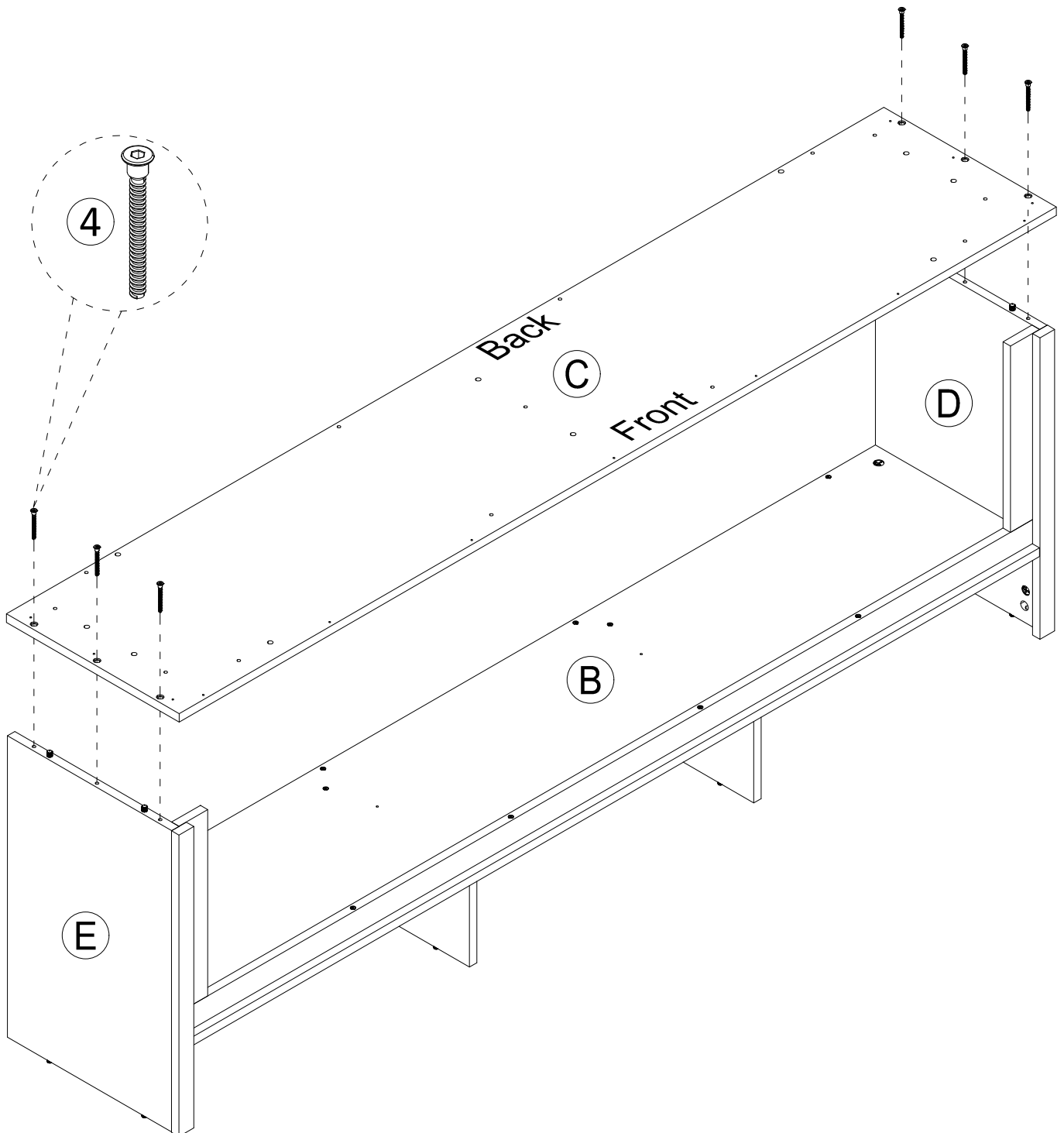
STEP 7



STEP 8

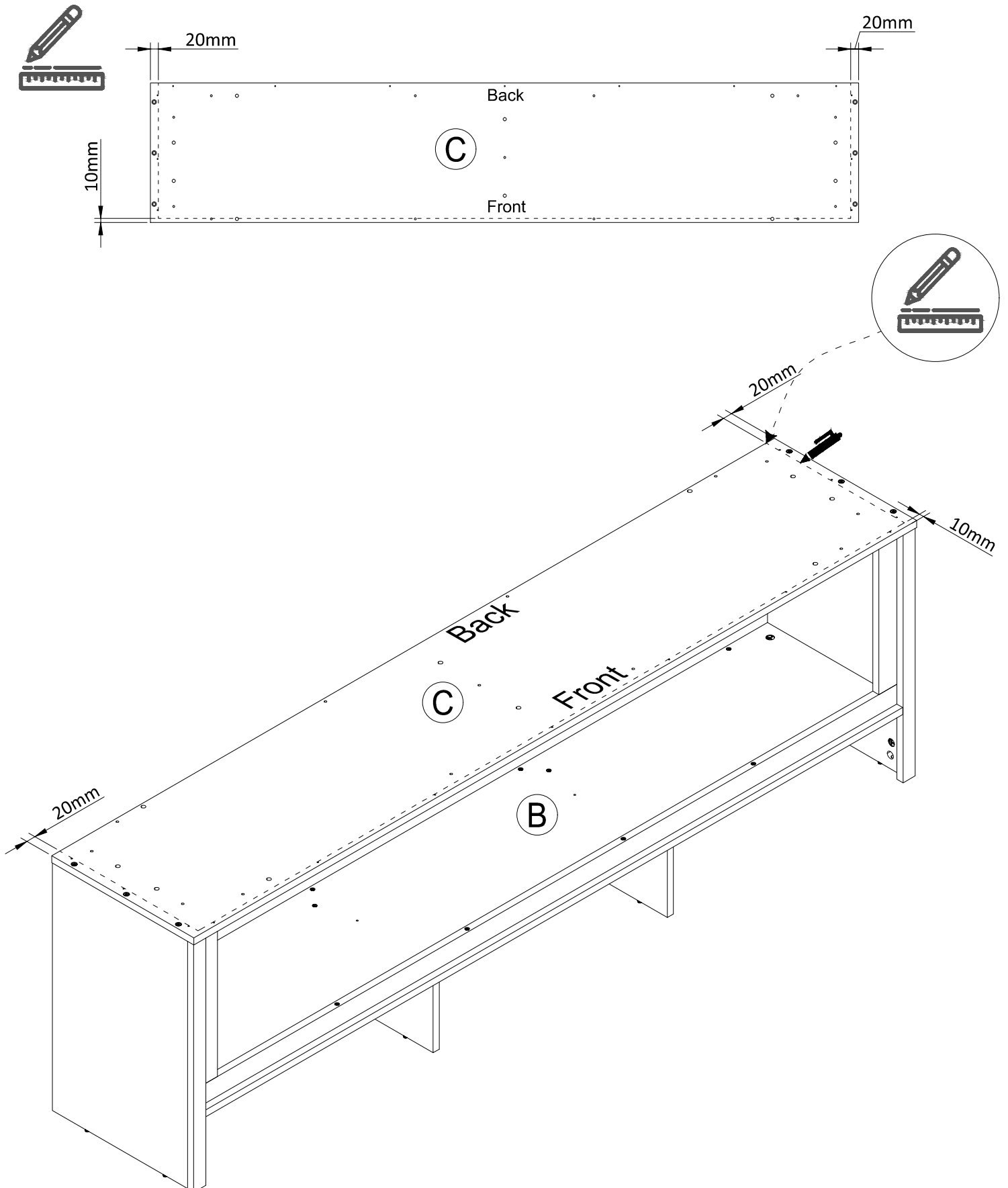


THIS STEP REQUIRES 2 PEOPLE

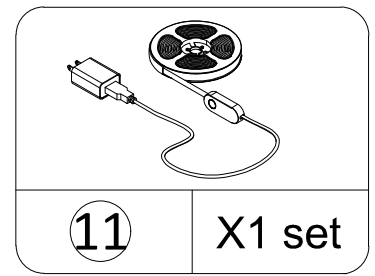
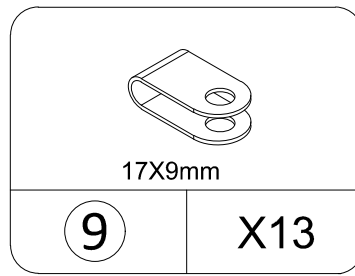
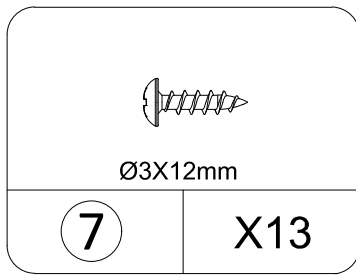
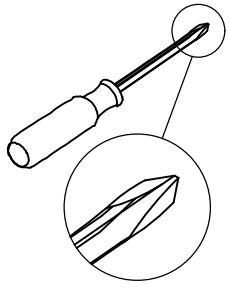


STEP9

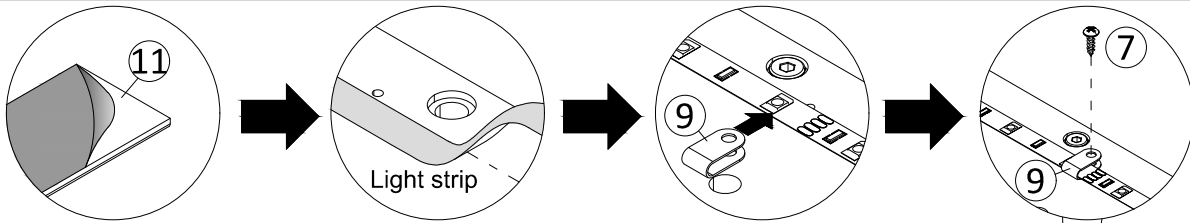
Prepare a marker and ruler. First, use a ruler to measure the distance between the edges on both sides of the base plate by 20mm and the distance between the front edge by 10mm. Draw a line as an auxiliary line for attaching the light strip.



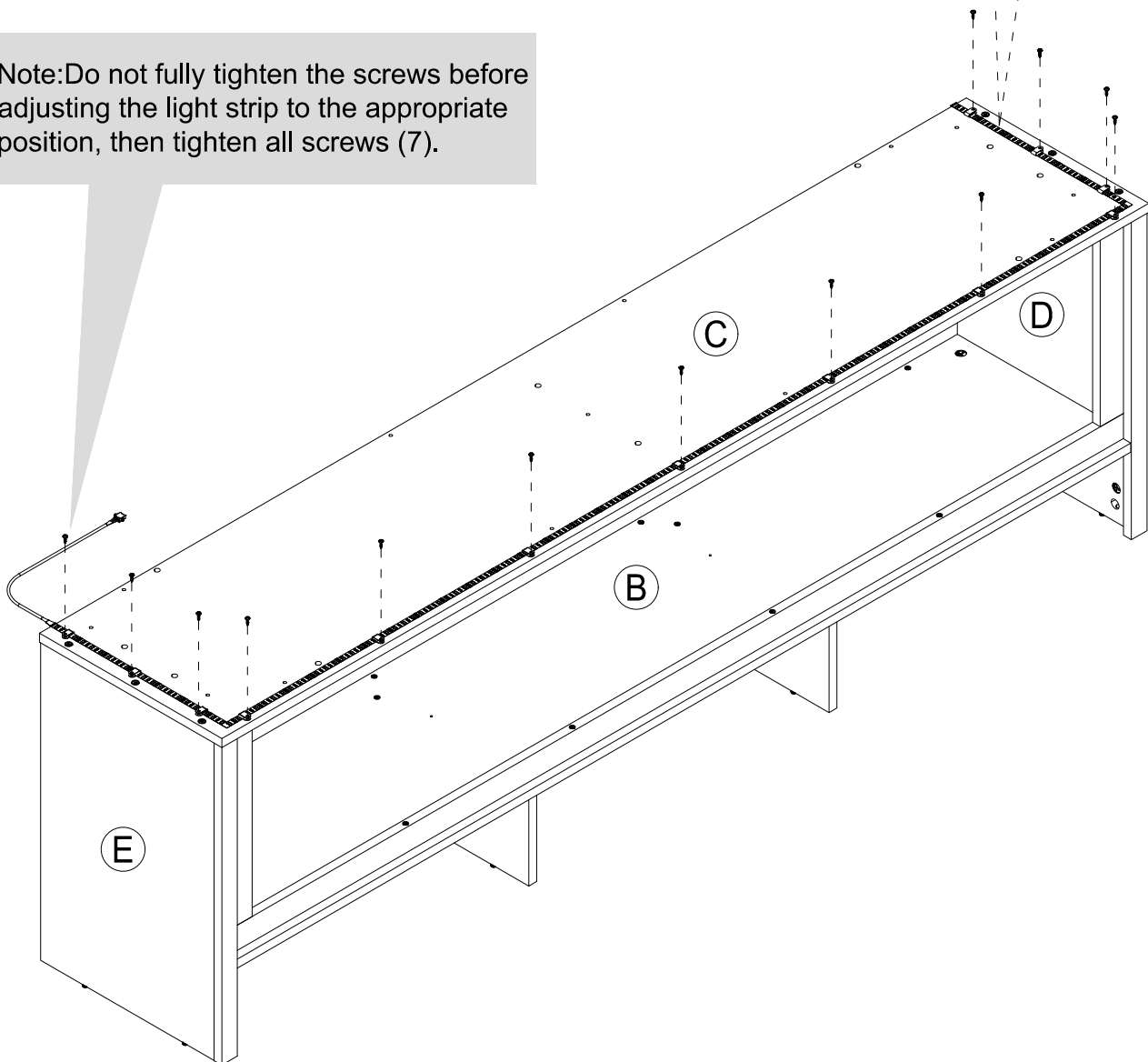
STEP10



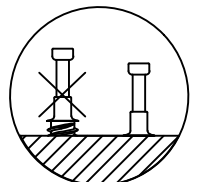
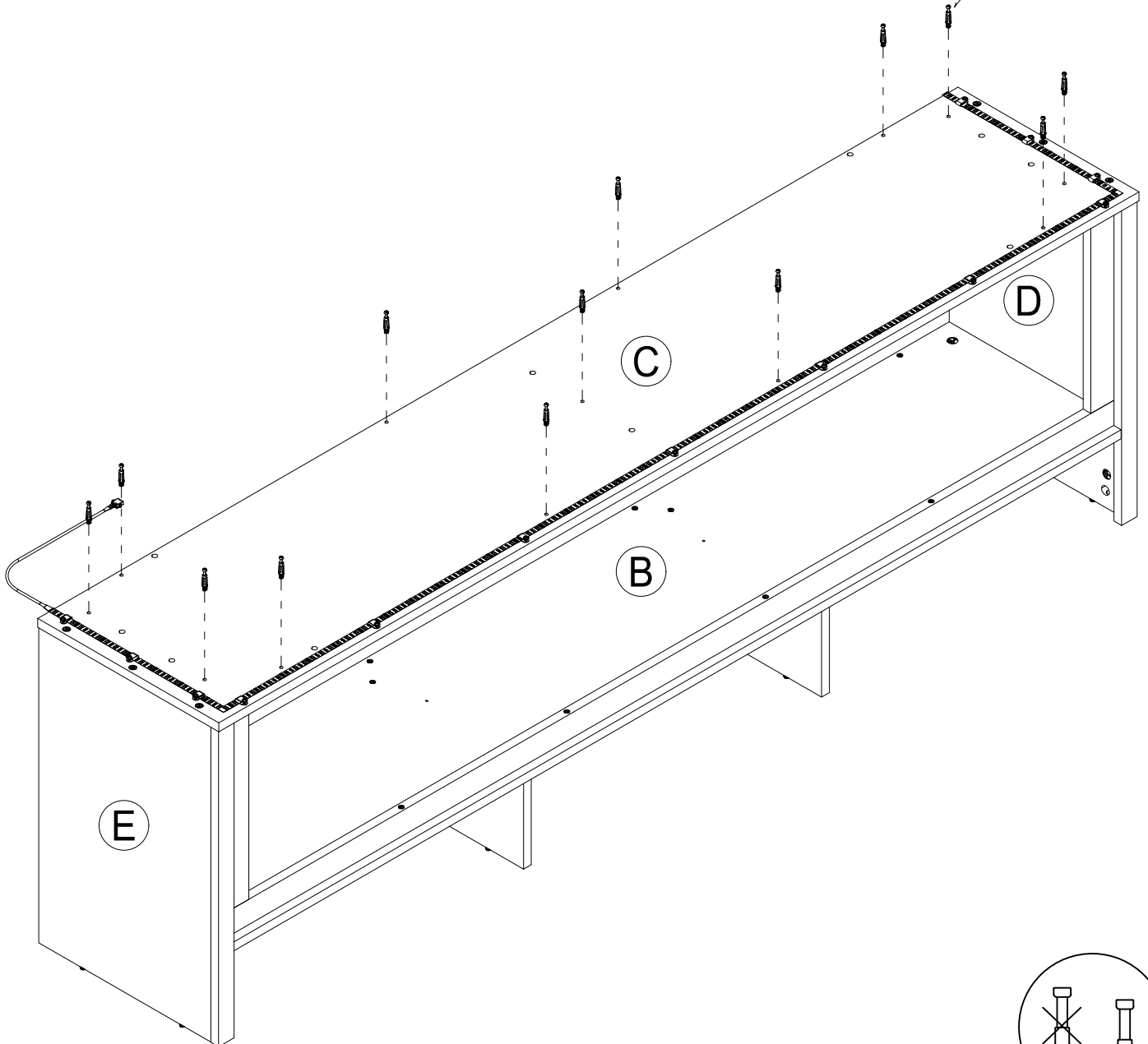
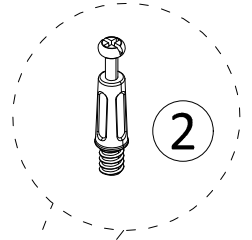
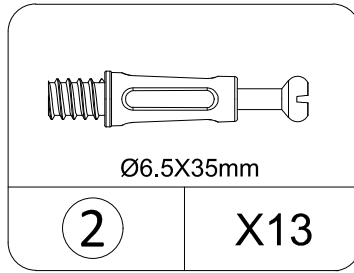
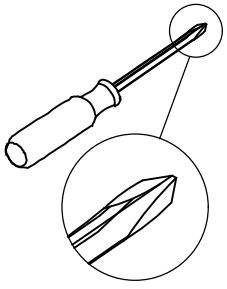
1. Tear off the 3M adhesive tape film on the back of the light strip and stick it inward along the previous marking line.
2. Wrap the light strap buckle (9) around the light strip, align it with the corresponding hole, and screw in the screw (7)



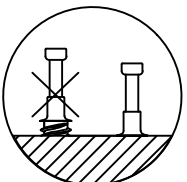
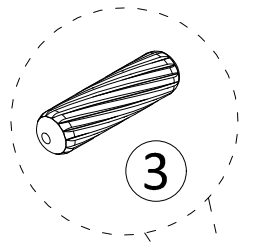
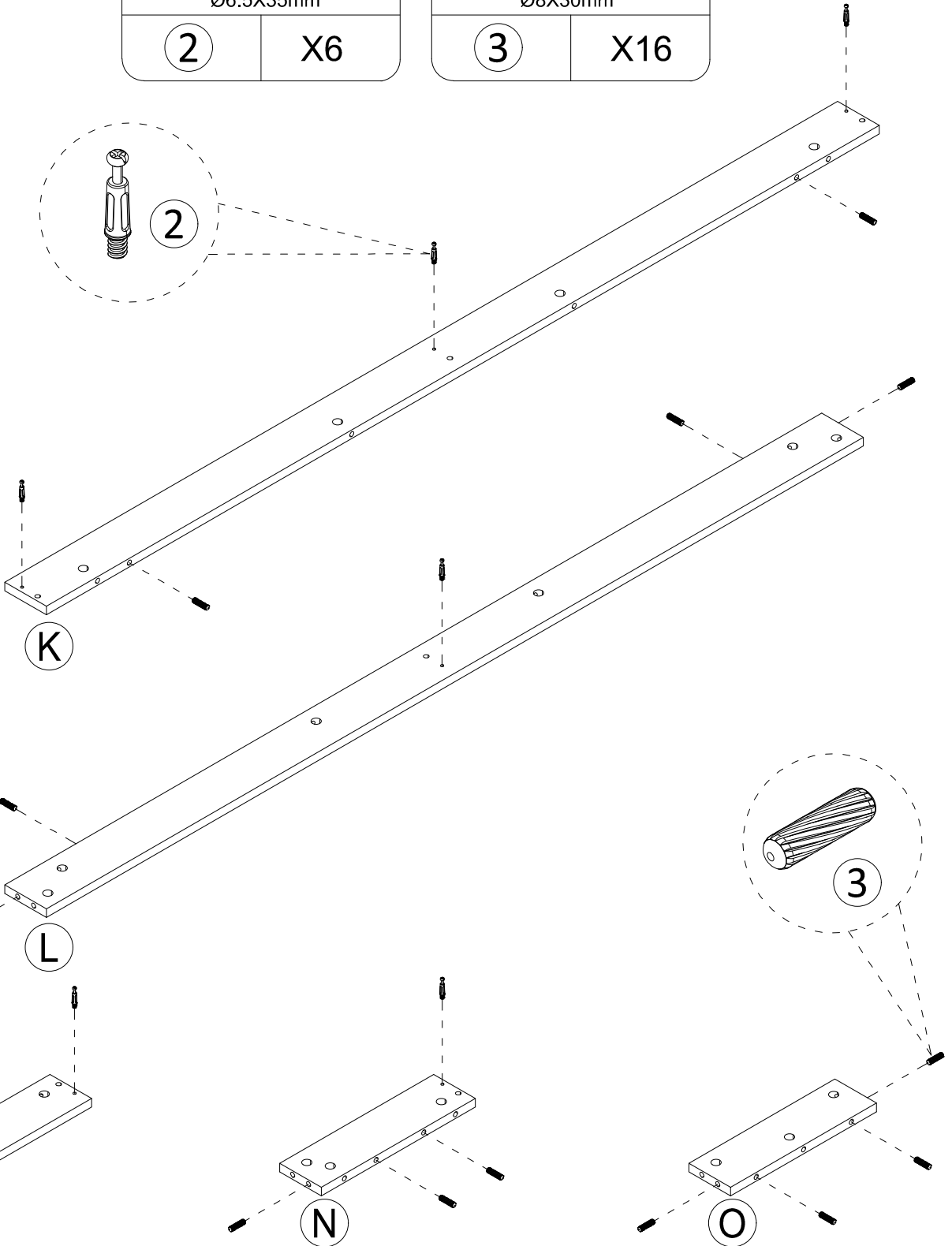
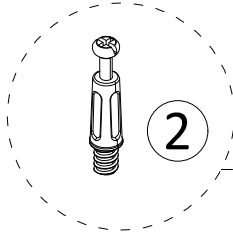
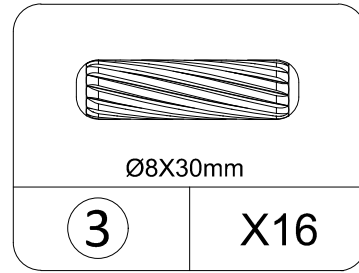
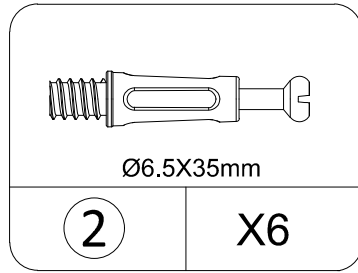
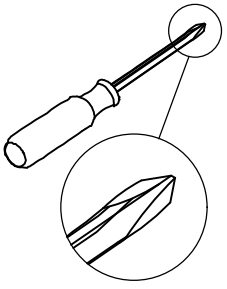
Note: Do not fully tighten the screws before adjusting the light strip to the appropriate position, then tighten all screws (7).



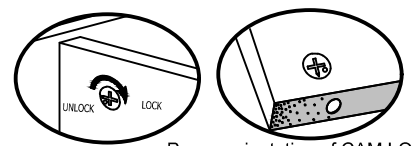
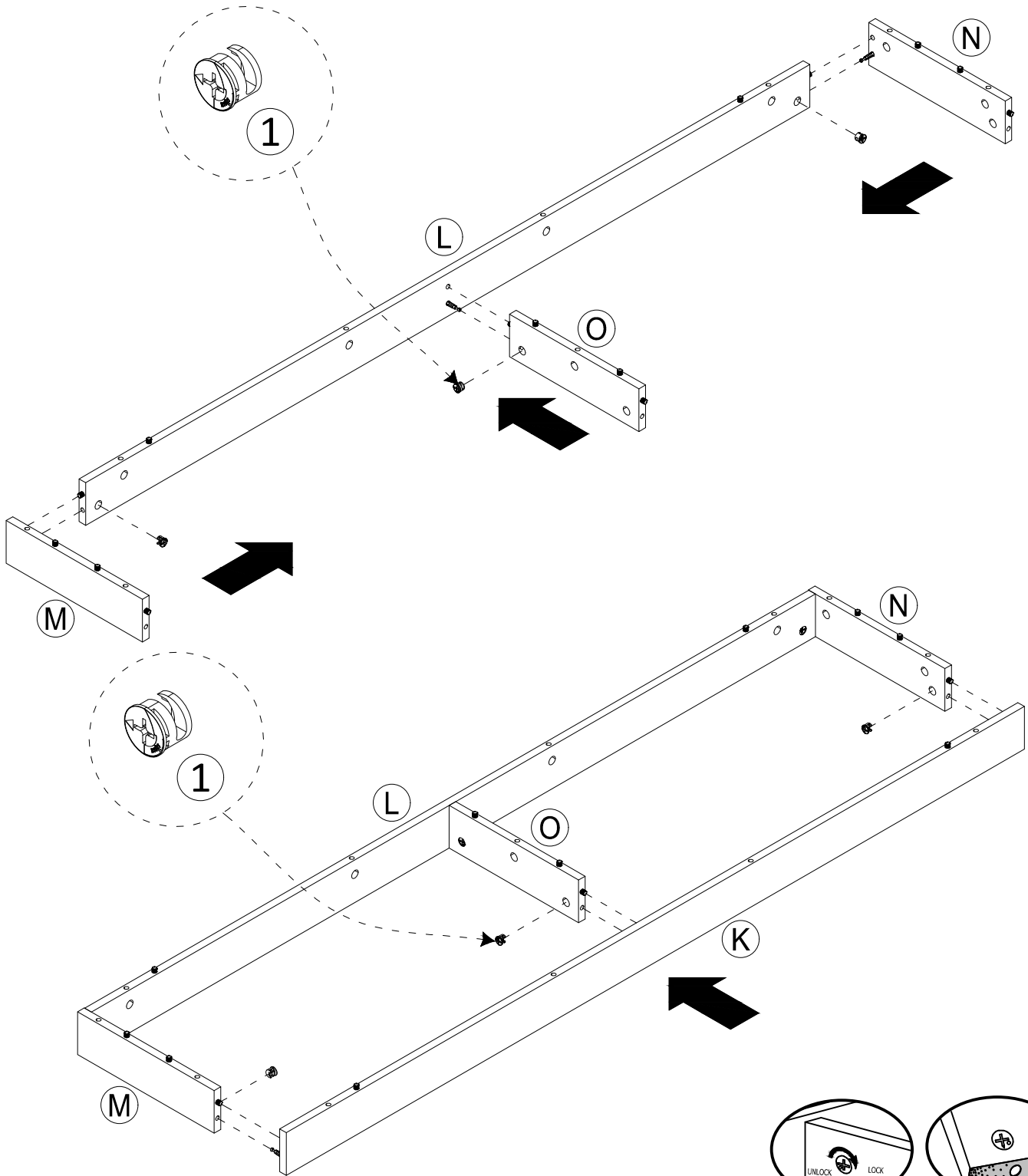
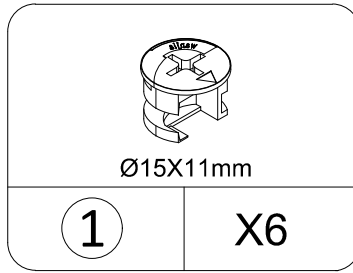
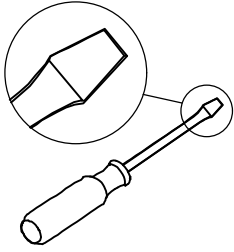
STEP11



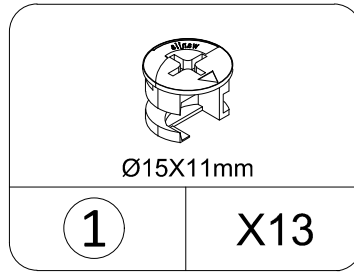
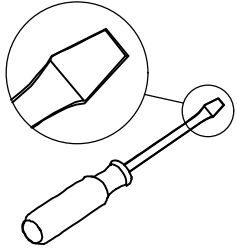
STEP12



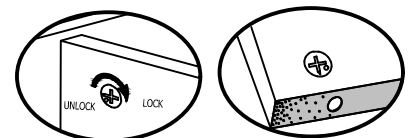
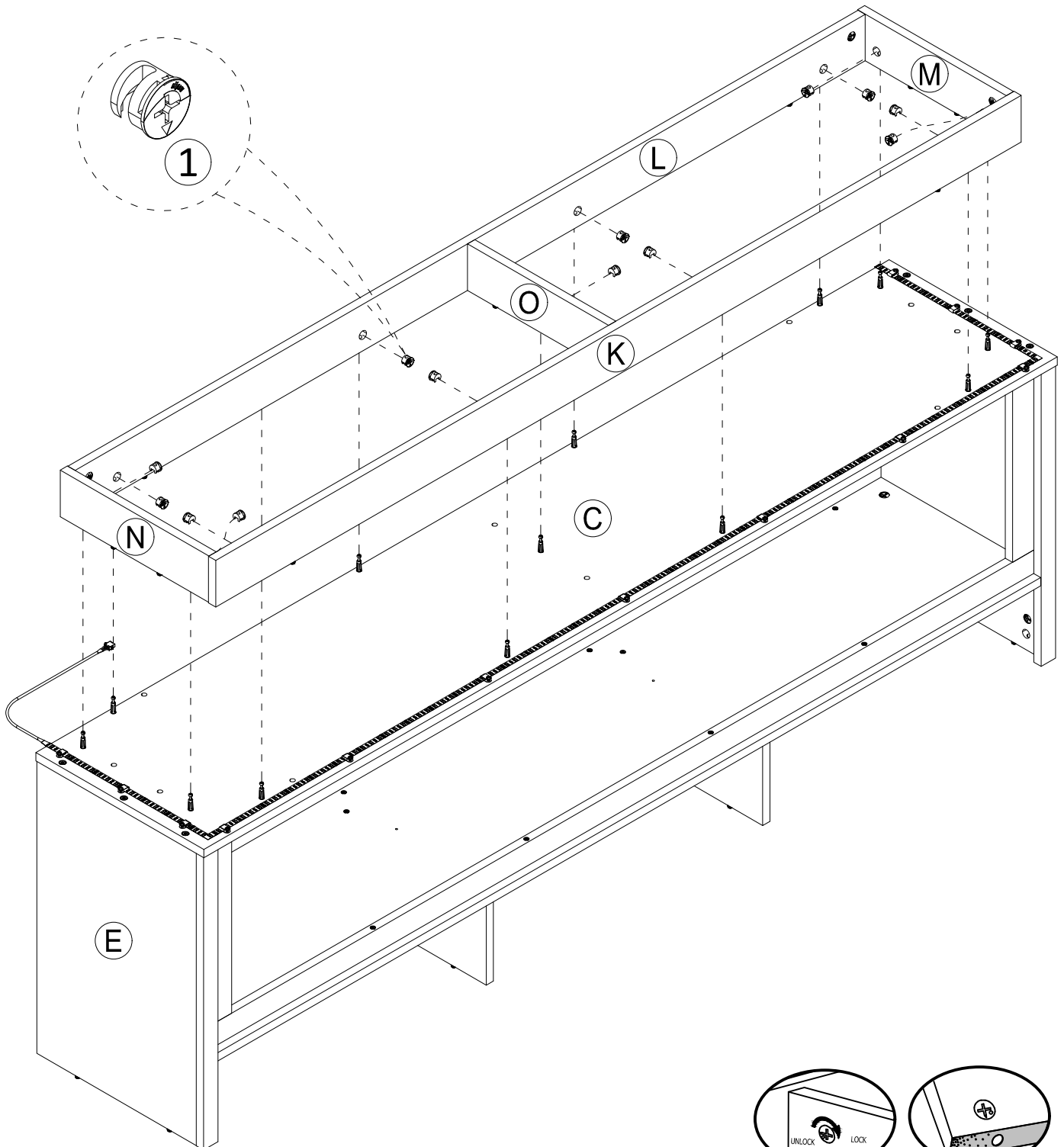
STEP13



STEP14



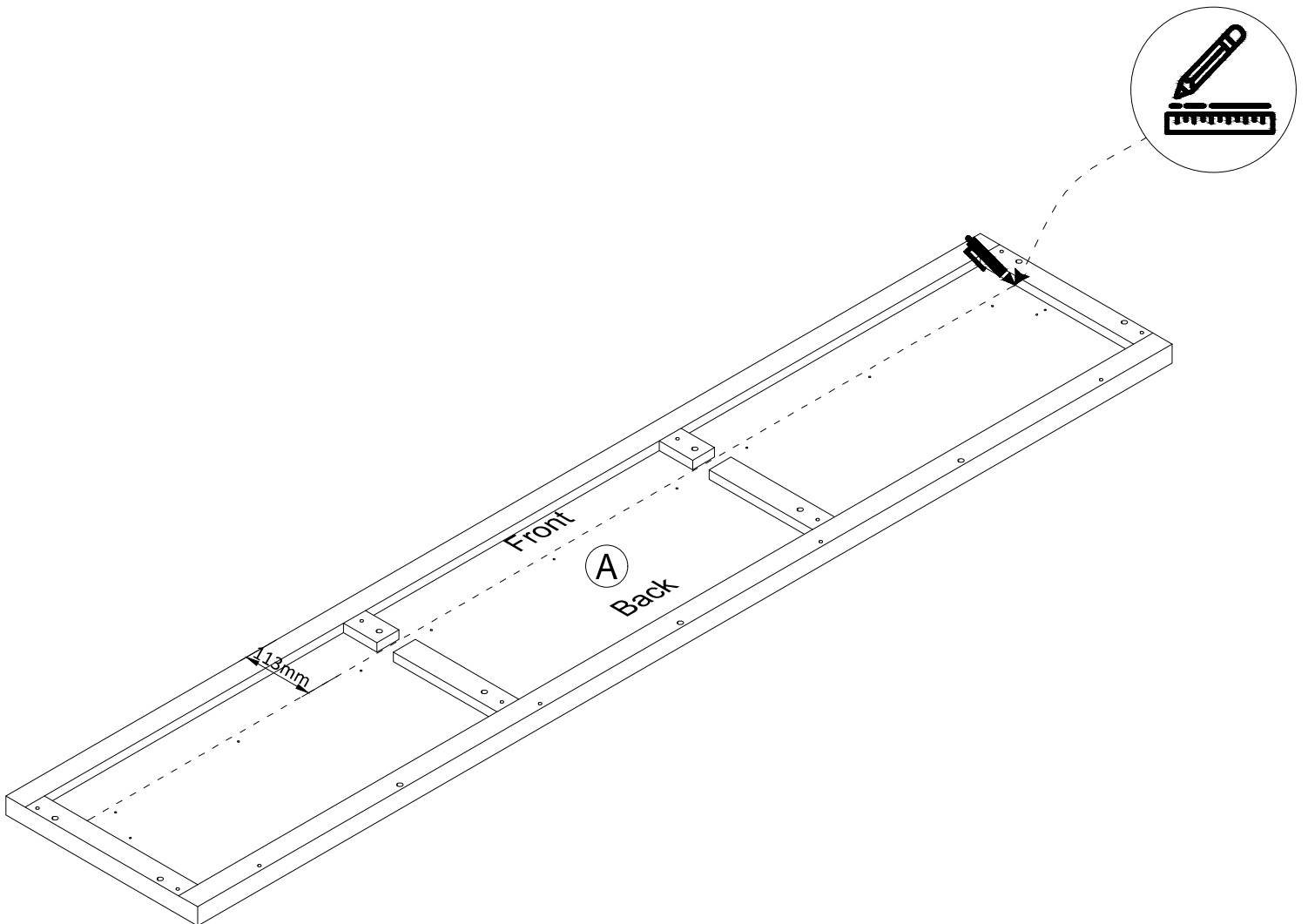
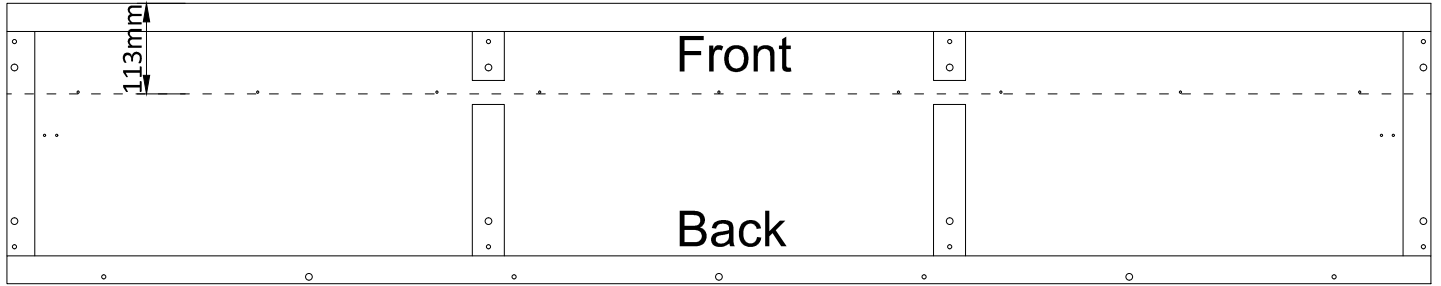
THIS STEP REQUIRES 2 PEOPLE



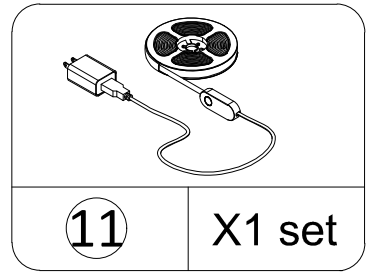
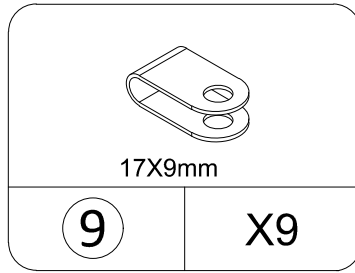
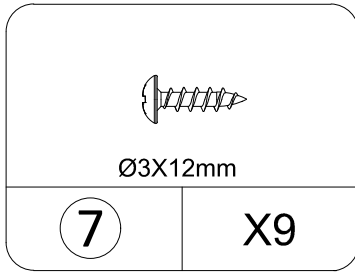
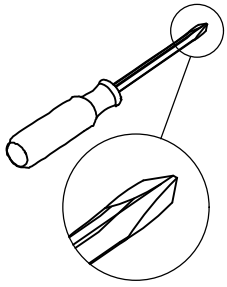
Proper orientation of CAM LOCK


STEP15

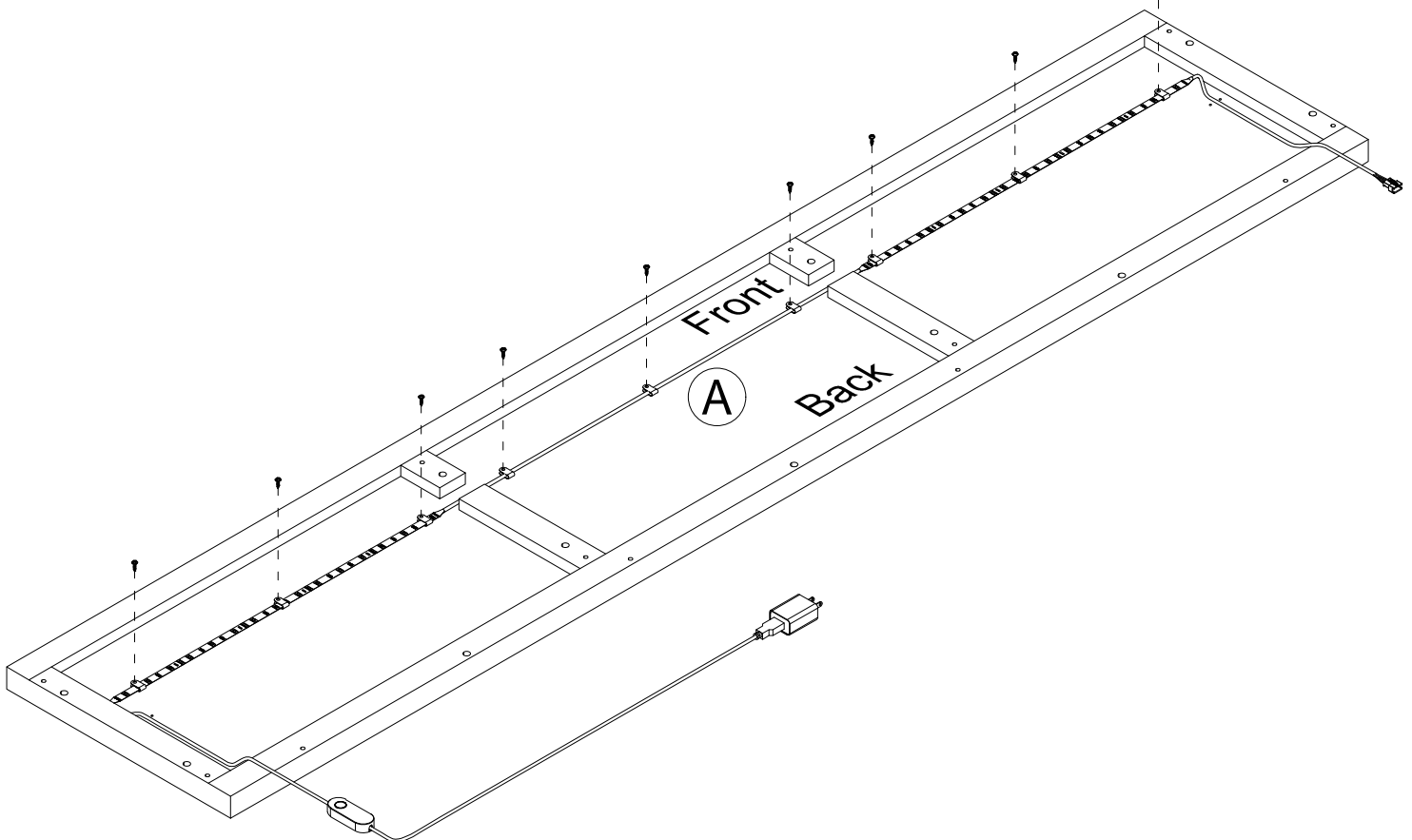
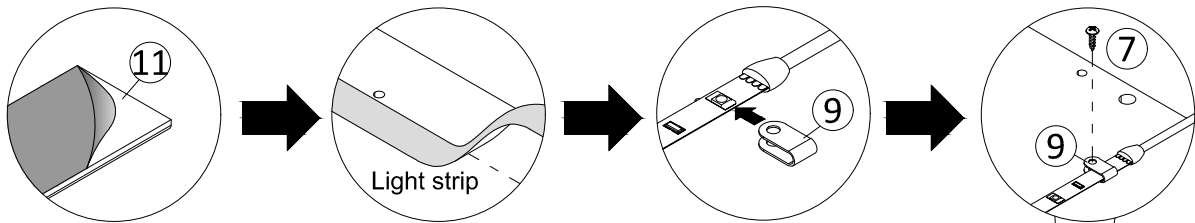
Prepare a marker and ruler, first use a ruler to measure the distance between the front edge of the panel (A) and 113mm, and draw a line as an auxiliary line for attaching the light strip.



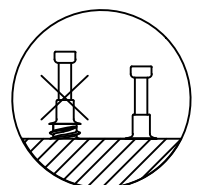
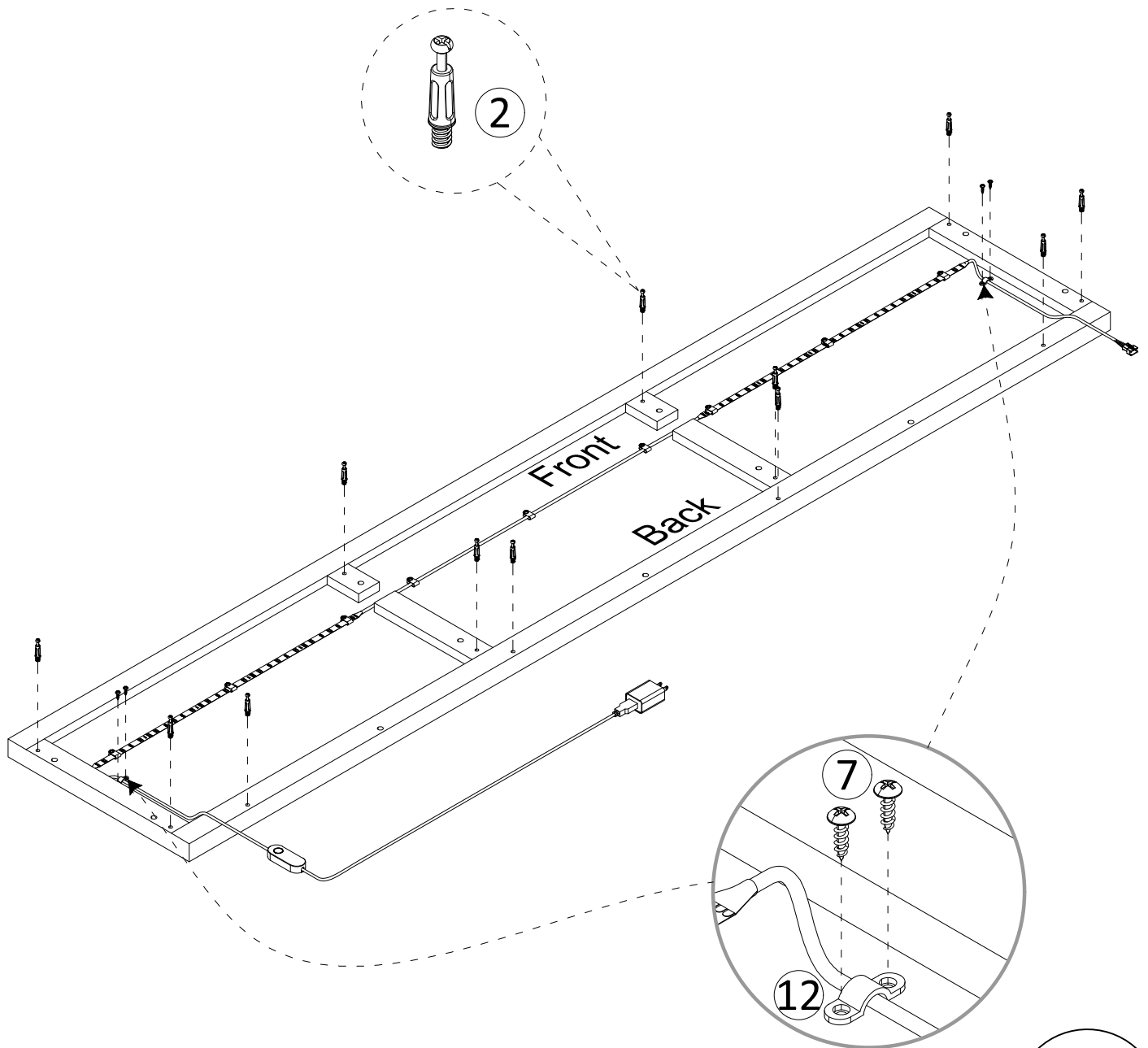
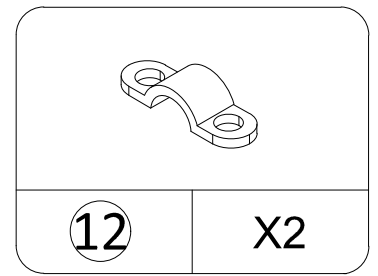
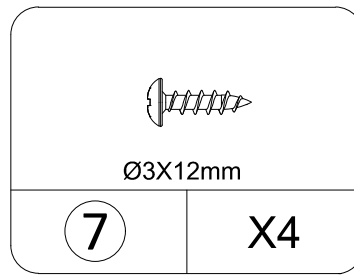
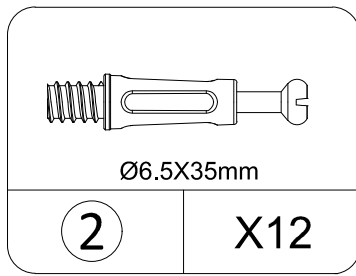
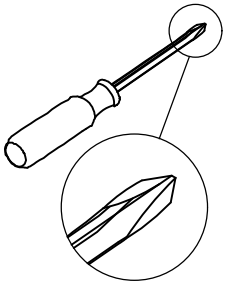
STEP16



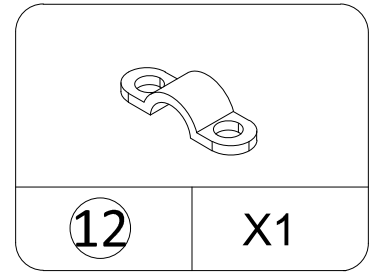
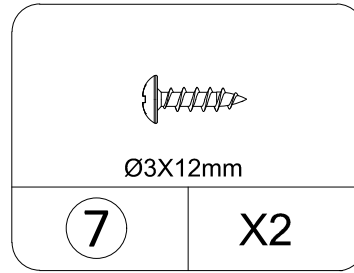
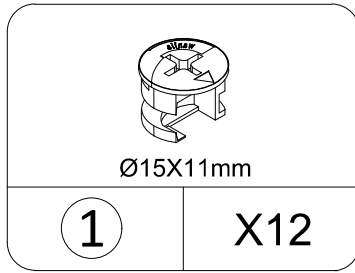
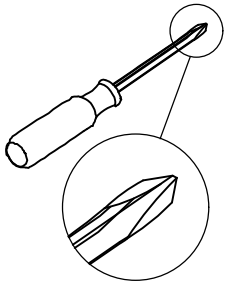
-  1. Tear off the 3M adhesive tape film on the back of the light strip and stick it inward along the previous marking line.
2. Wrap the light strap buckle (9) around the light strip, align it with the corresponding hole, and screw in the screw (7)



STEP17

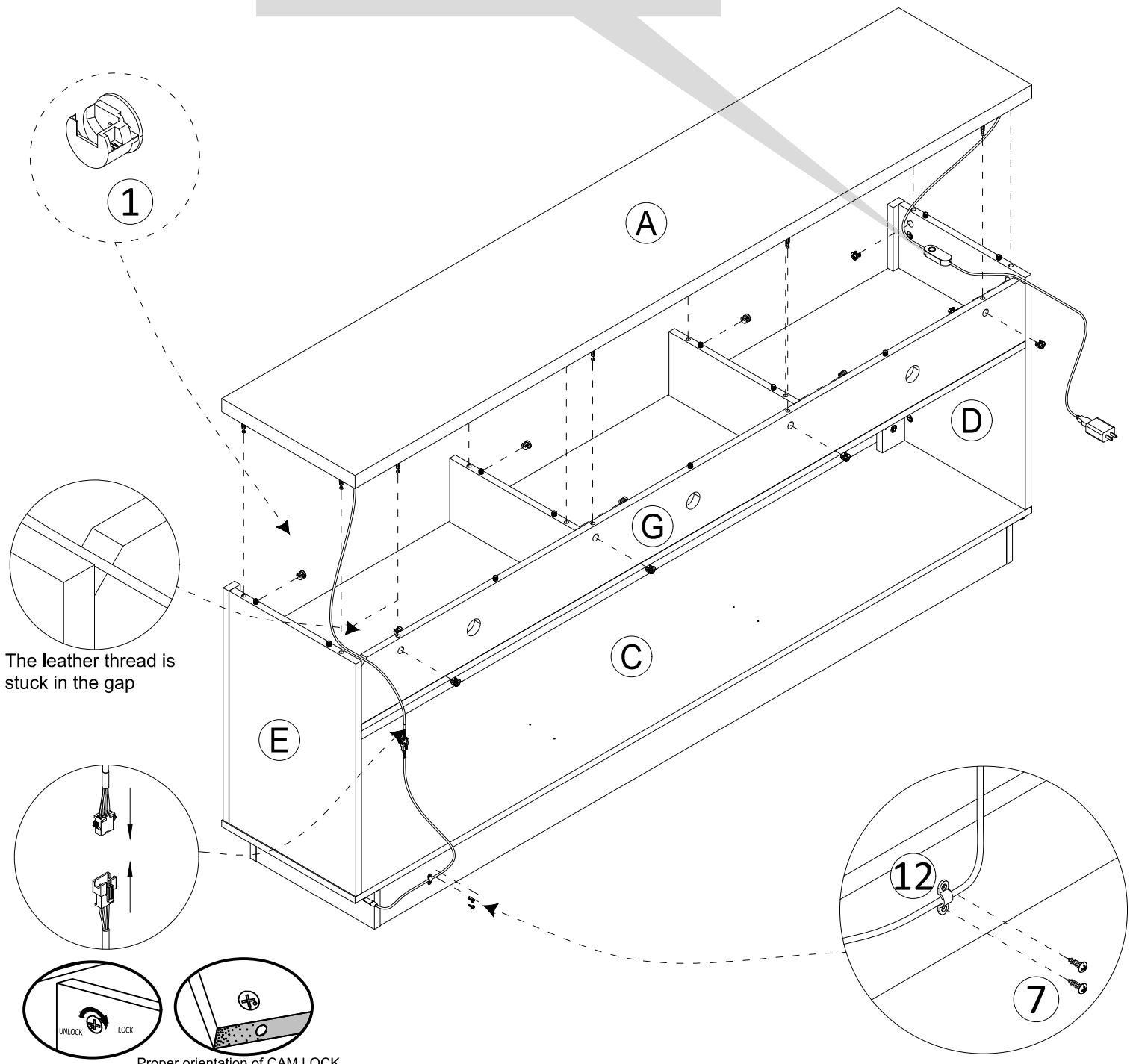


STEP18



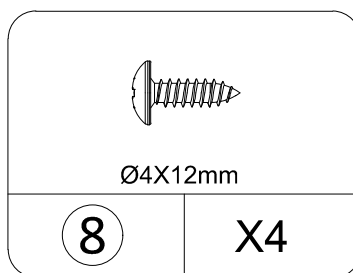
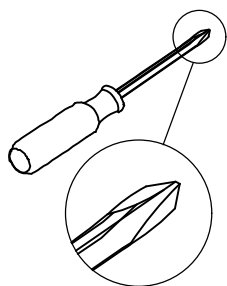
THIS STEP REQUIRES 2 PEOPLE

When installing panel (A), you can place the switch inside or outside according to your own needs.

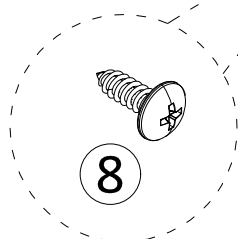
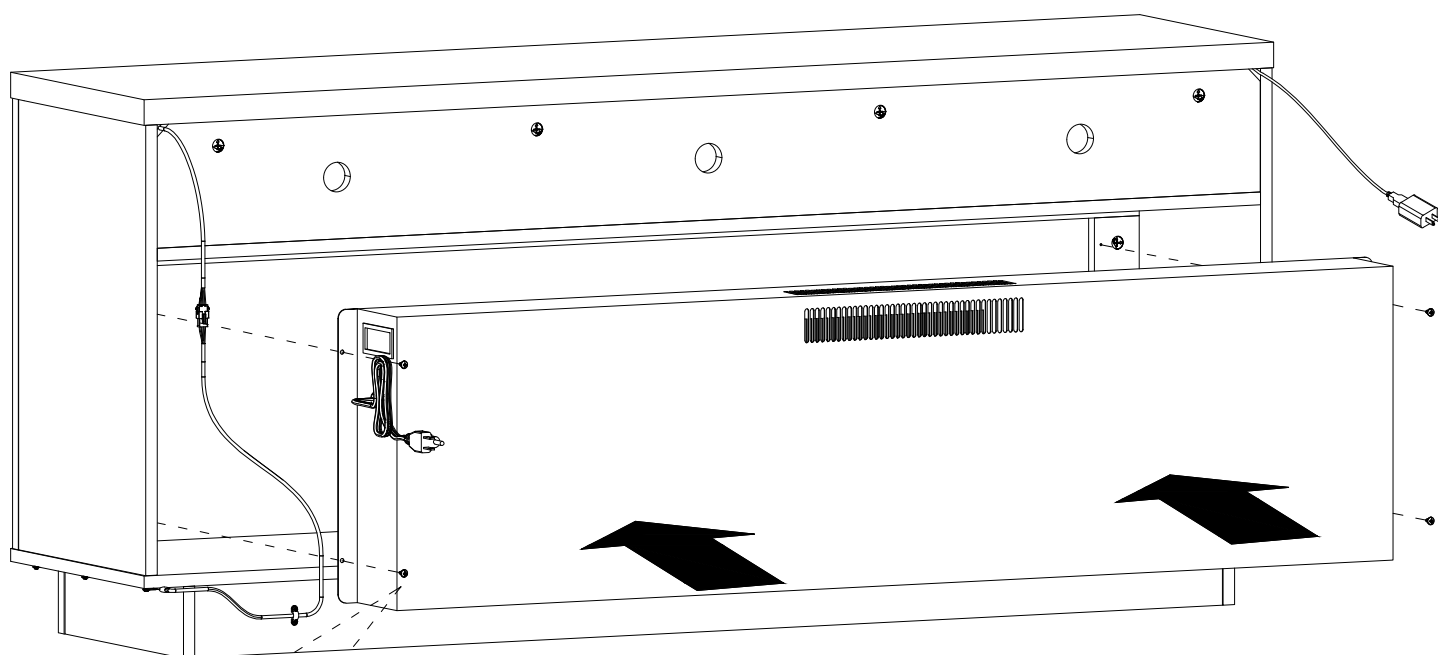


Proper orientation of CAM LOCK

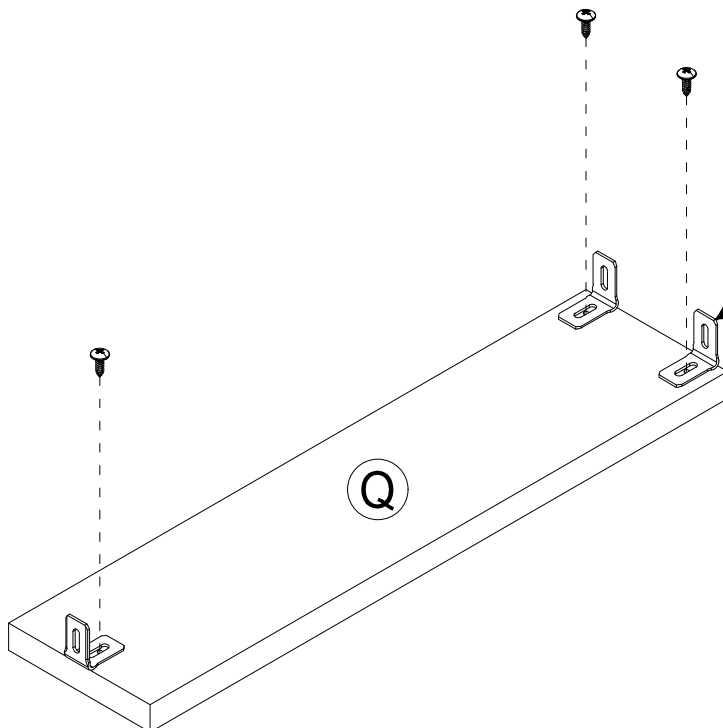
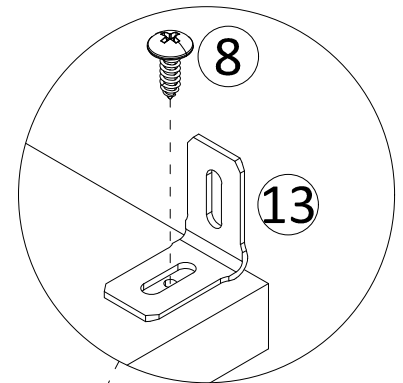
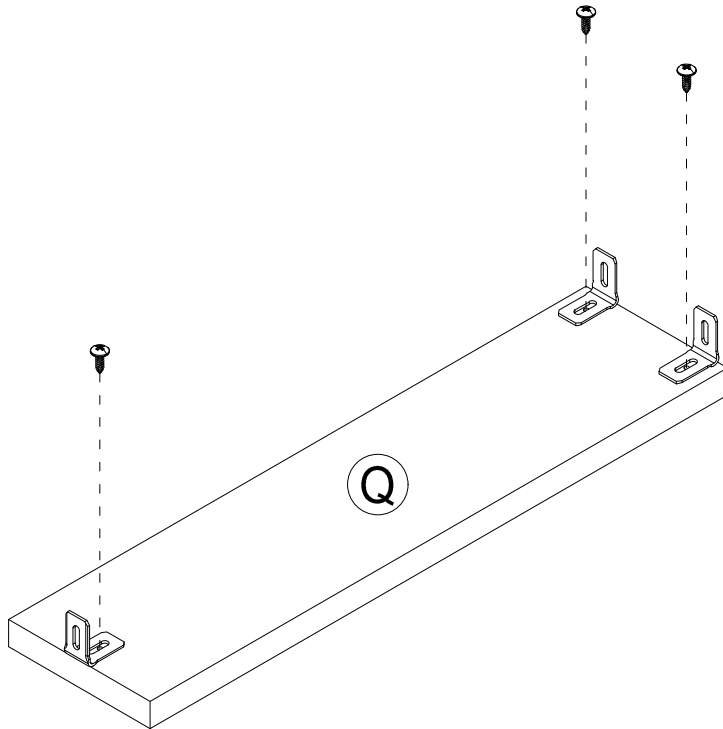
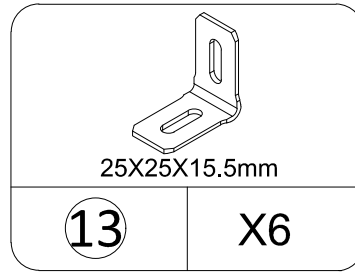
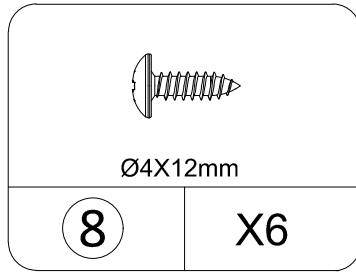
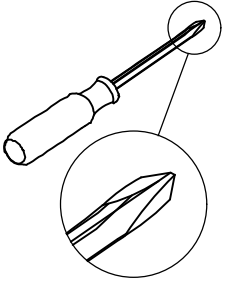
STEP19



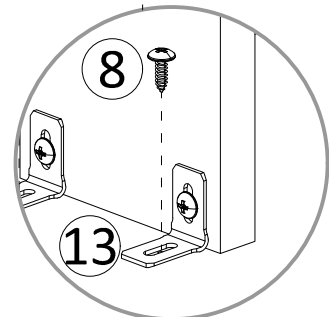
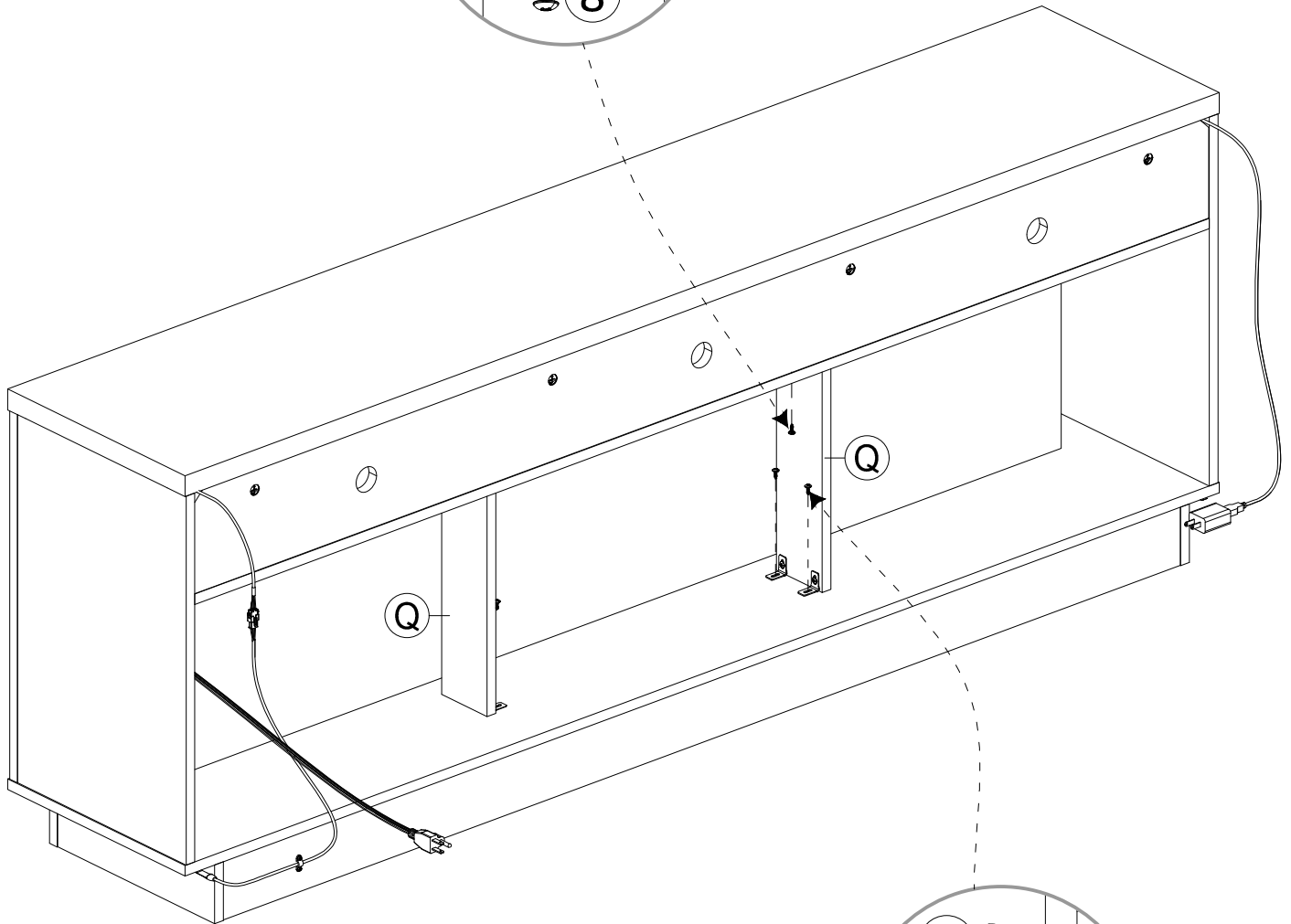
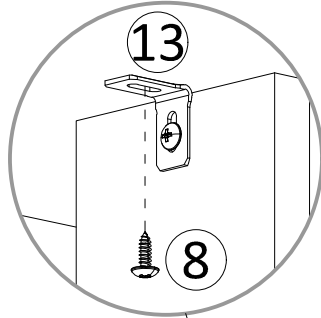
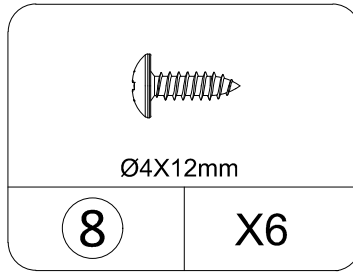
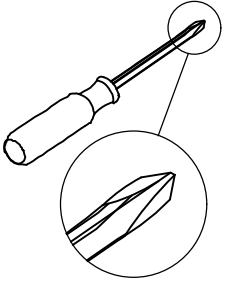
Before installing the fireplace, please read the installation manual of the fireplace.



STEP20



STEP21



STEP22

- To use the remote control function of the light strip, please read the light strip manual.(You can use the control switch on the light strip to control the light,or download the APP by scanning the QR code on the control switch. there is no physical remote control available).
- Please read the instruction manual for the usage function of the fireplace.

