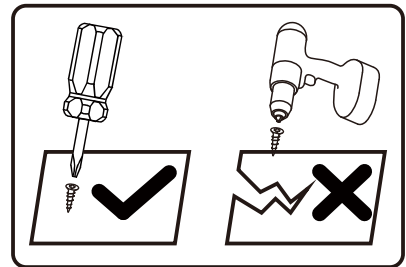
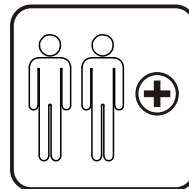
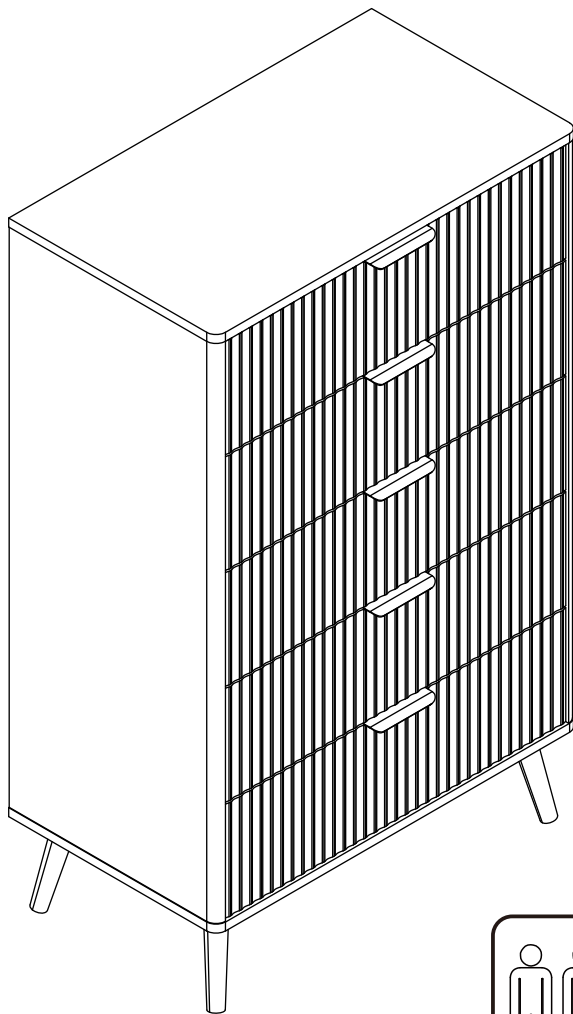


ASSEMBLY INSTRUCTIONS

Customer Service : cs@nbrehome.com



Tools Recommended

THIS INSTRUCTIONS CONTAINS IMPORTANT SAFETY INFORMATION.
PLEASE READ BEFORE ASSEMBLY AND KEEP FOR FUTURE REFERENCE.

Need Parts or Assistance? Email us : cs@nbrehome.com

IMPORTANT NOTICE

- This product contains small components, please ensure that they are kept away from small children.
- THIS INSTRUCTIONS CONTAINS IMPORTANT SAFETY INFORMATION. PLEASE READ BEFORE ASSEMBLY AND KEEP FOR FUTURE REFERENCE.
- Read each step carefully. It is very important that each step of instruction is performed in the correct order. If these steps are not followed in sequence, assembly difficulties will occur.
- Make sure all parts are included. Most parts are labelled or stamped on the raw edge.
- Work in spacious area, preferably on a carpet, near the place the unit will be used.
- Do not use power tools to assemble your furniture. Power tools may strip or damage the parts.
- Move your new furniture carefully, with two people lift and carry the unit to it's new location.
- Never push, drag or pull your furniture (especially on carpet)






PLEASE DO NOT RETURN PRODUCT TO US IMMEDIATELY

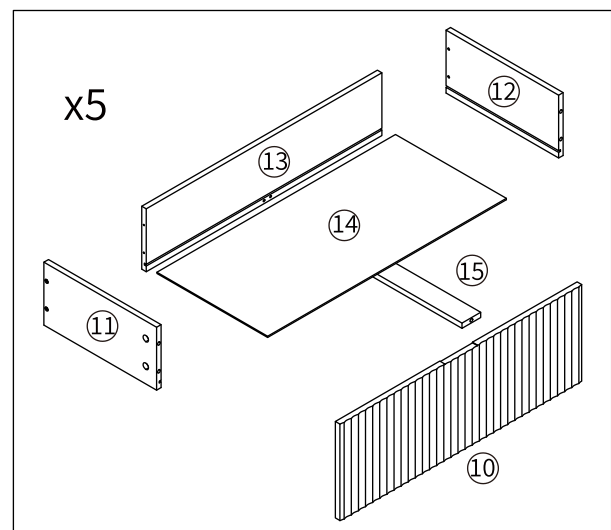
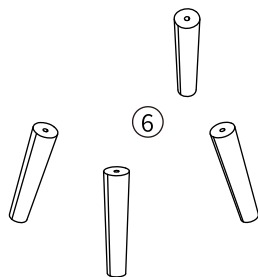
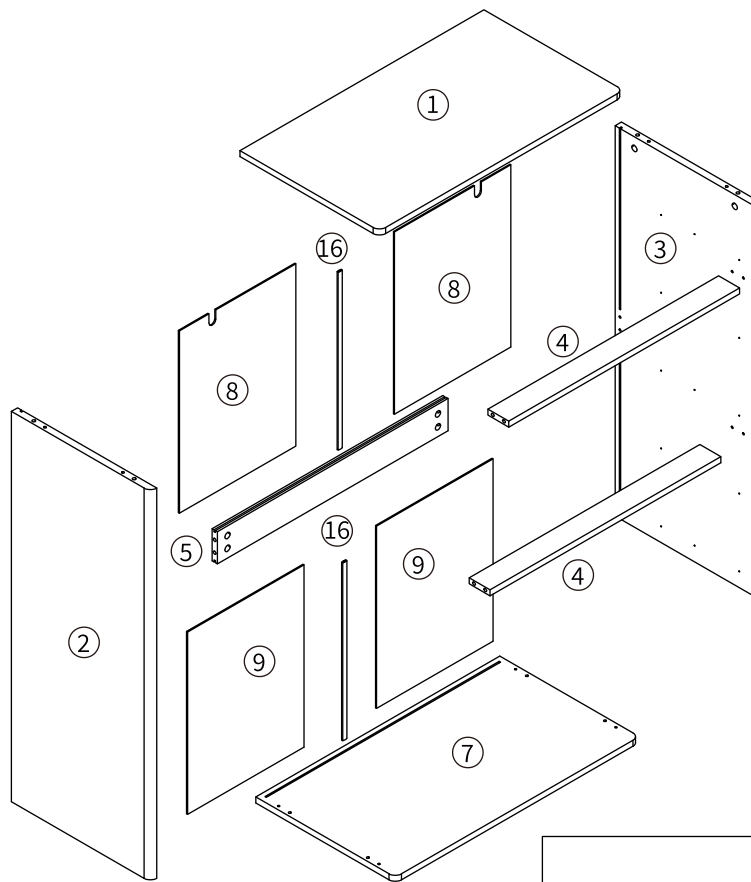
If a part is missing or damaged, email our customer service. We will gladly ship your replacement parts FREE of charge.











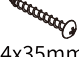









Need Parts or Assistance? Email us : cs@nbrehome.com

For Prompt, reliable service, please have your assemble instruction ready

 WARNING	
	<p>Children have died from furniture tipover. To reduce the risk of furniture tipover:</p> <ul style="list-style-type: none">- ALWAYS install Anti-tip device provided.- NEVER put a TV on this product.- NEVER allow children to stand, climb or hang on any drawers, doors, or shelves.- NEVER open more than one drawer at a time.- Place heaviest items in the lowest drawers.
	<p><i>This is a permanent label. Do not remove!</i></p>

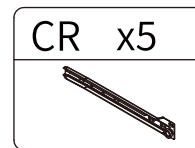
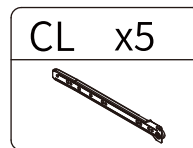
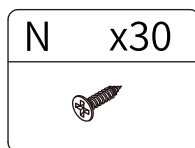
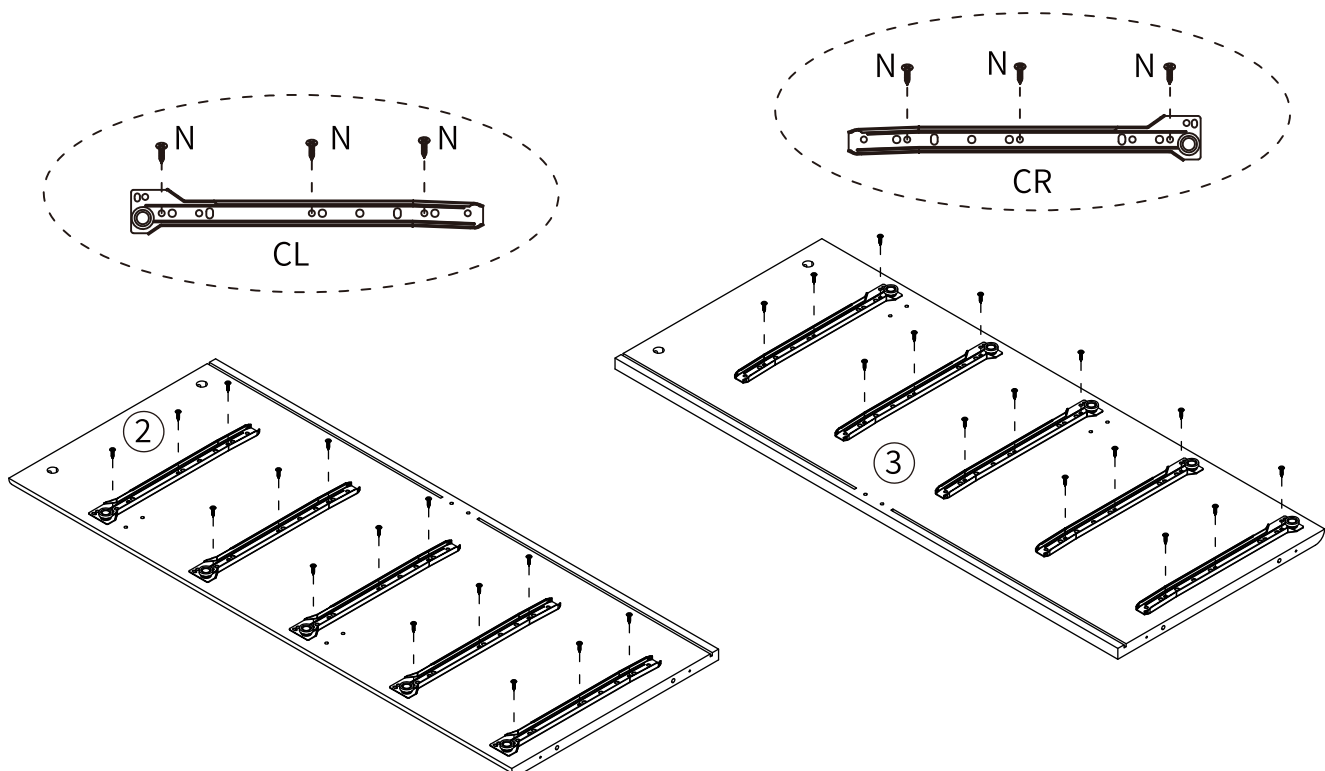
The installation direction should be aligned with the instructions to prevent plate breakage caused by product tipping during installation.



A x41  6x35mm	B x41  6x35mm	C x8  6x30mm	D x4  4x40mm	E x5 	F x10  3x12mm	G x16  3x14mm
H x16 	I x2 	J x22  4x14mm	K x2  4x35mm	L x2 	M x30  4x30mm	N x60  3.5x12mm
O x4 	P x4 	CL x5 	CR x5 	DL x5 	DR x5 	

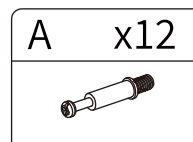
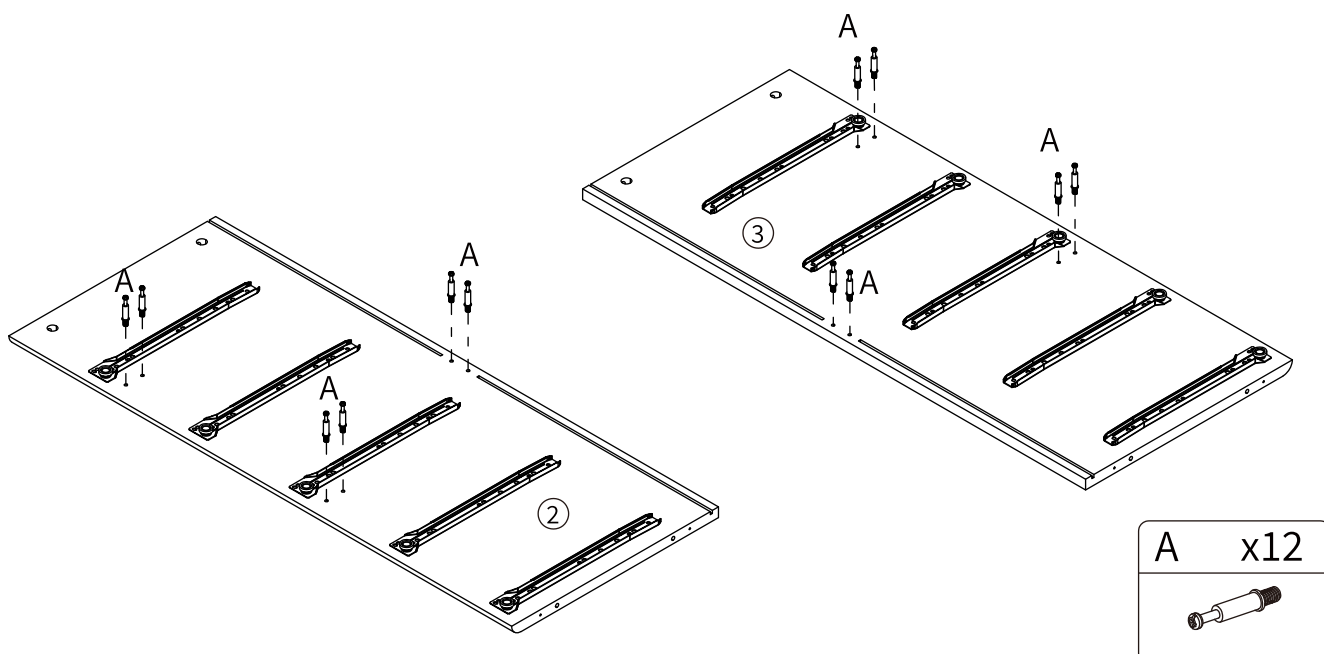
Step 1

Lock the guide rail (CL) to the part ② with screw (N) and lock the guide rail (CR) to the part ③ with screw (N), the installation position is as shown.



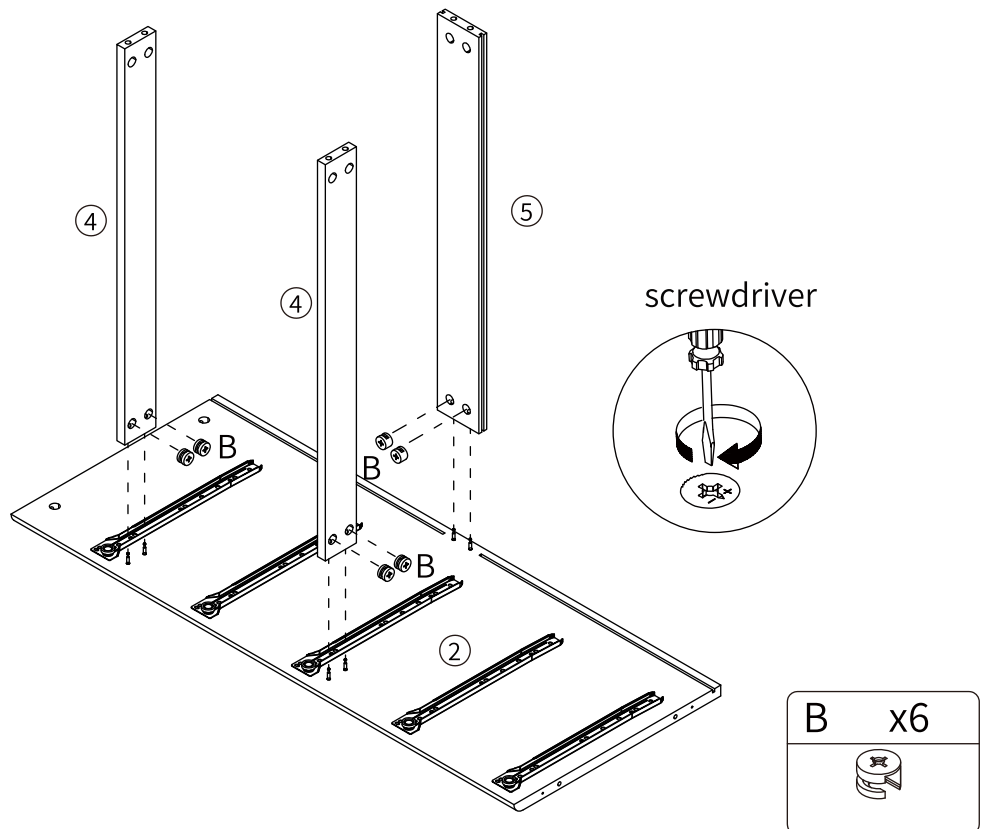
Step 2

Insert screw (A) into corresponding holes on part ② & ③, the installation position is as shown.



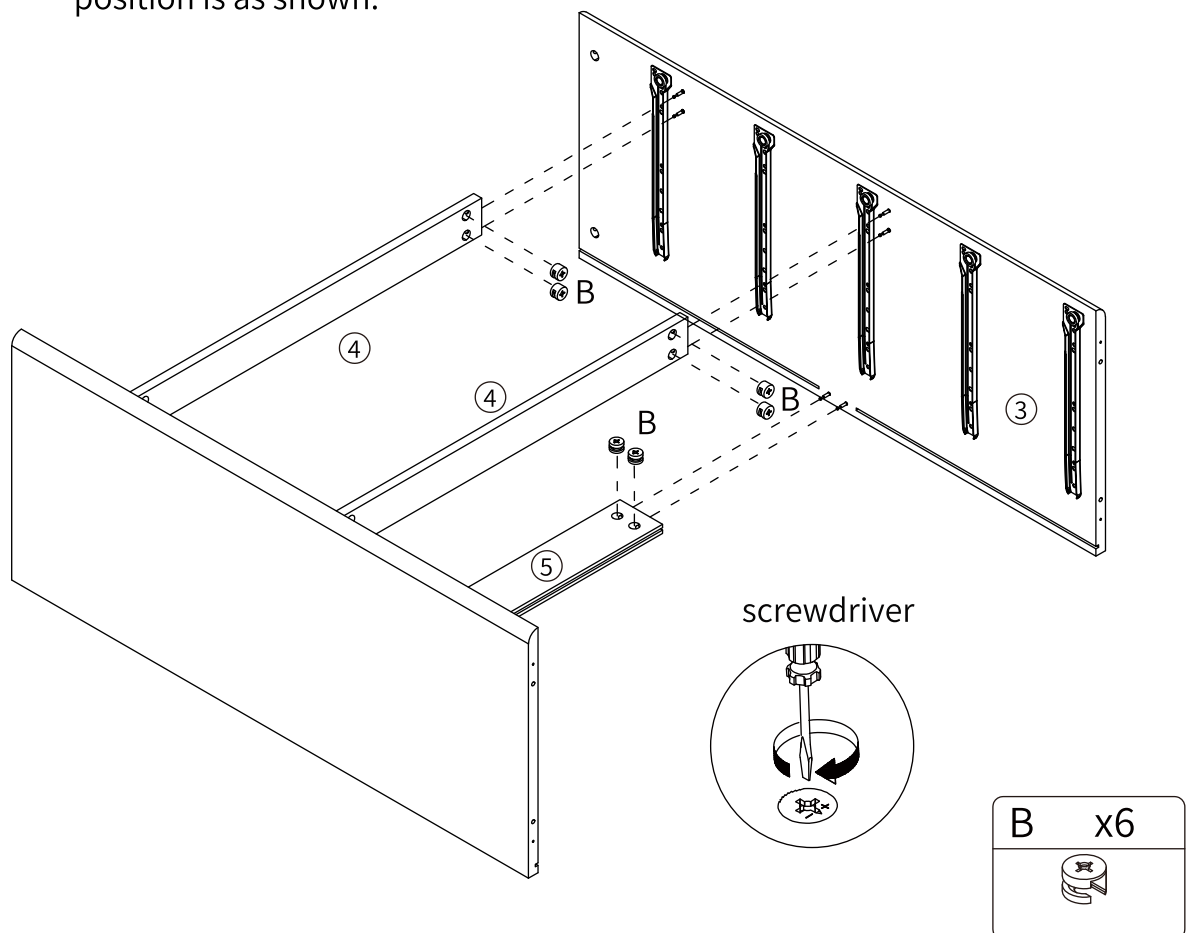
Step 3

Connect part ④ (X2) & ⑤ to part ② with cam lock (B), insert cam lock (B) into the corresponding holes on part ④ (X2) & ⑤ and use a screwdriver to turn it clockwise to tighten, the installation position is as shown.



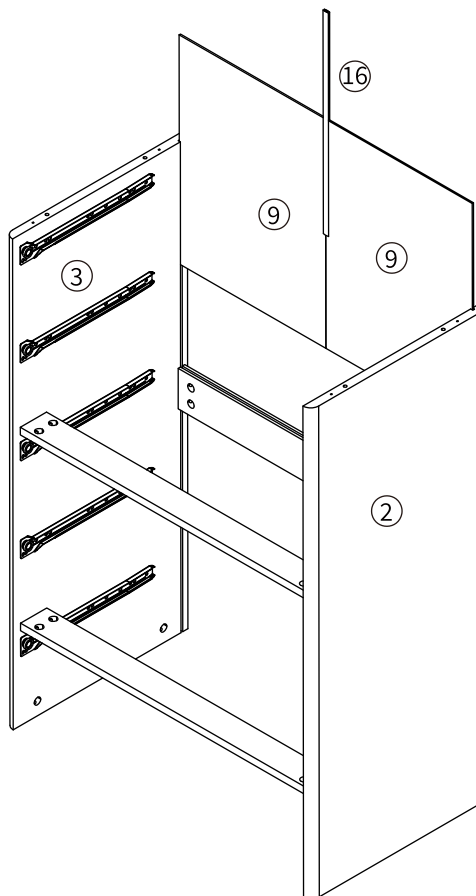
Step 4

Connect part ④ (X2) & ⑤ to part ③ with cam lock (B), insert cam lock (B) into the corresponding holes on part ④ (X2) & ⑤ and use a screwdriver to turn it clockwise to tighten, the installation position is as shown.



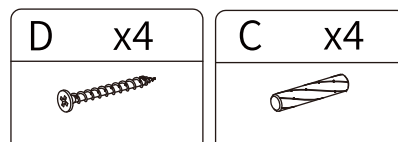
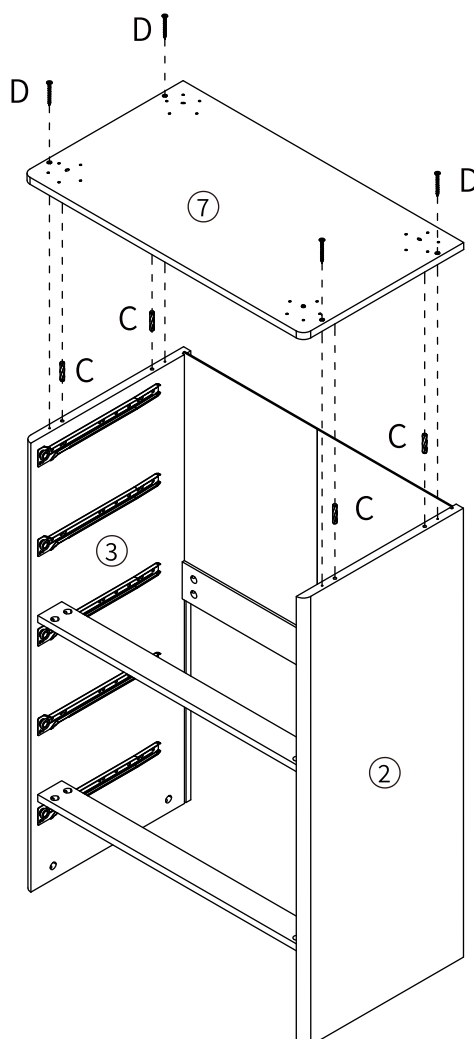
Step 5

Connect part ⑨ (X2) with part ⑩, insert part ⑨ (X2) along the slot between part ② & ③, the position is as shown.



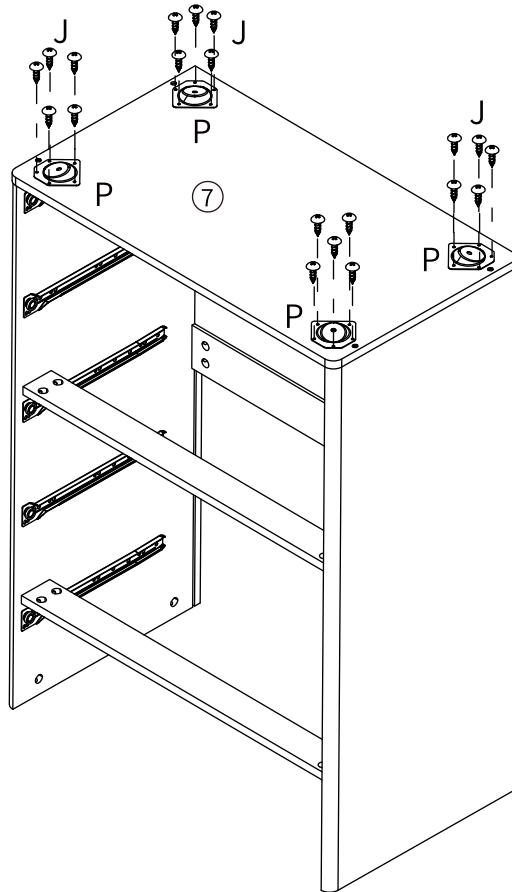
Step 6



Firstly insert the dowel (C) on part ② & ③, then connect parts ② & ③ to bottom panel ⑦ with screw (D), the installation position is as shown.



Step 7

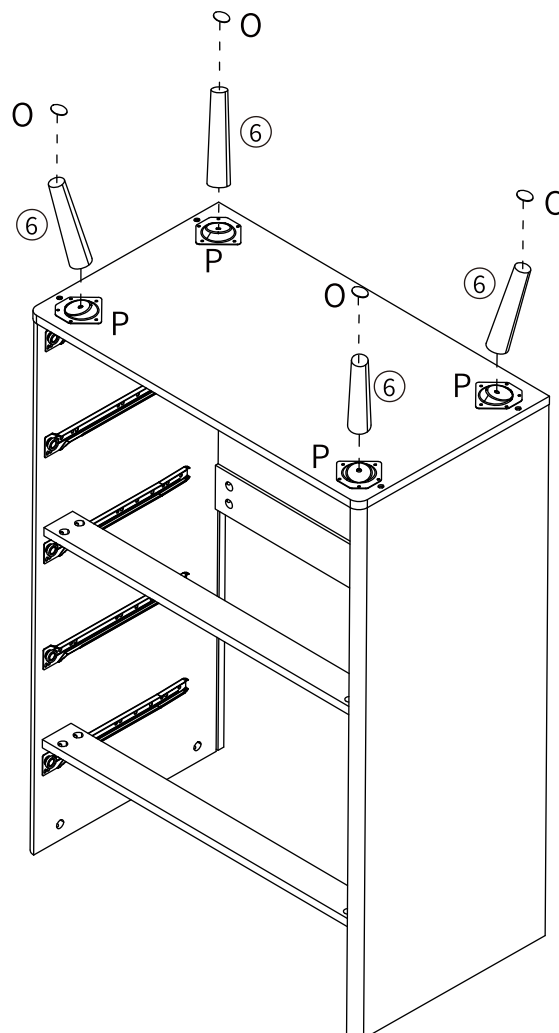
Install metal plate (P) on bottom panel (7) with screw (J).




P x4	J x20
	

Step 8

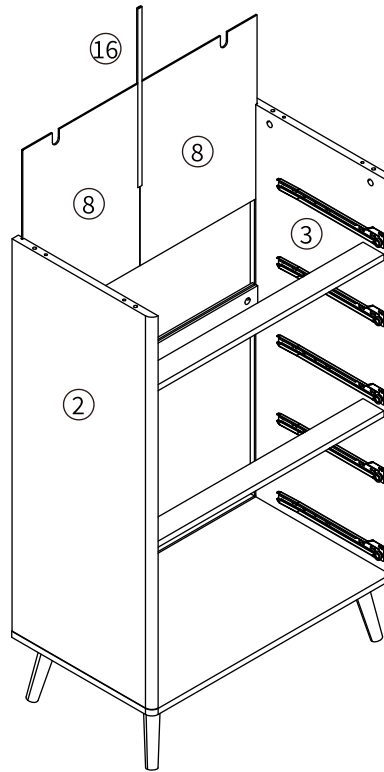
Firstly attach leg cap (O) to wooden feet part (6), then connect wooden feet part (6) to metal plate (P) in clockwise direction to tighten, the installation position is as shown.



O x4


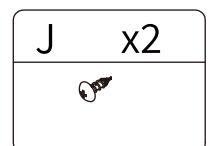
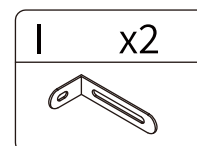
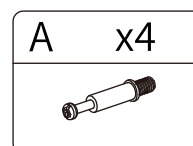
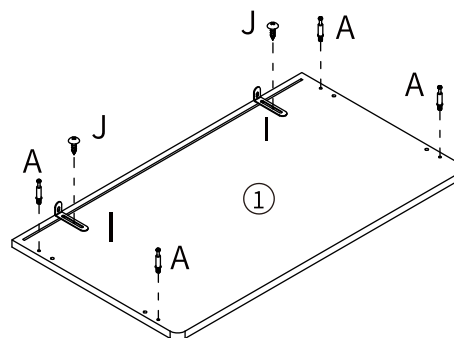
Step 9

Connect part ⑧ (X2) with part ⑬, insert part ⑧ (X2) along the slot between part ② & ③, the position is as shown.



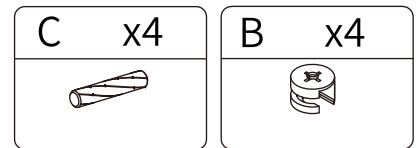
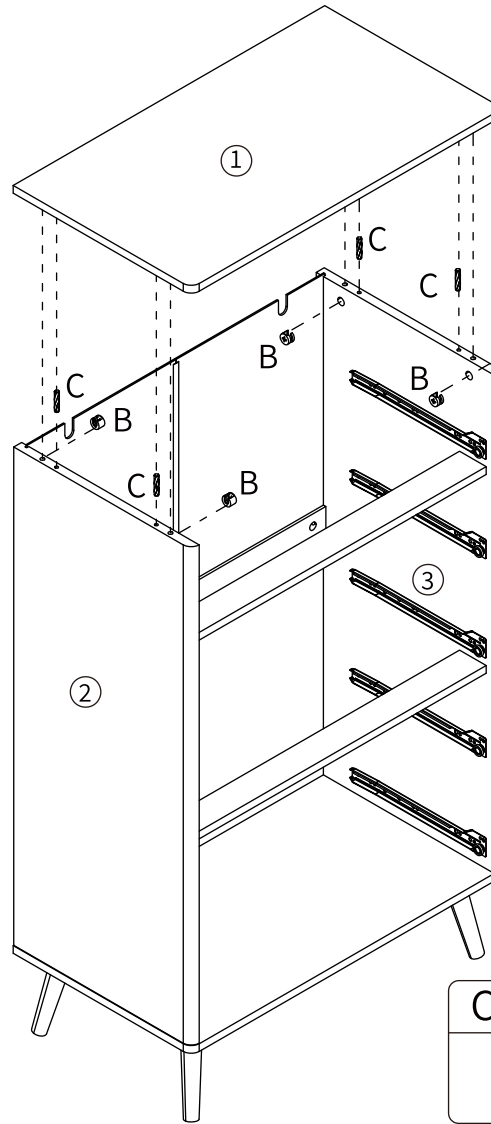
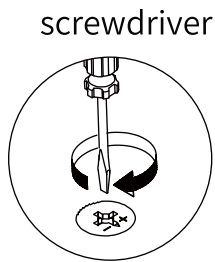
Step 10

Install the screw (A) on the part ①, fasten the L-shaped iron piece (I) with screw (J) on part ①.



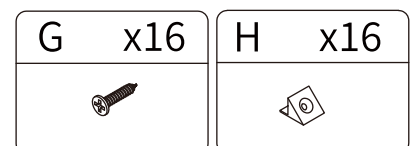
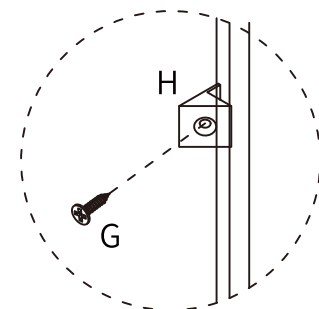
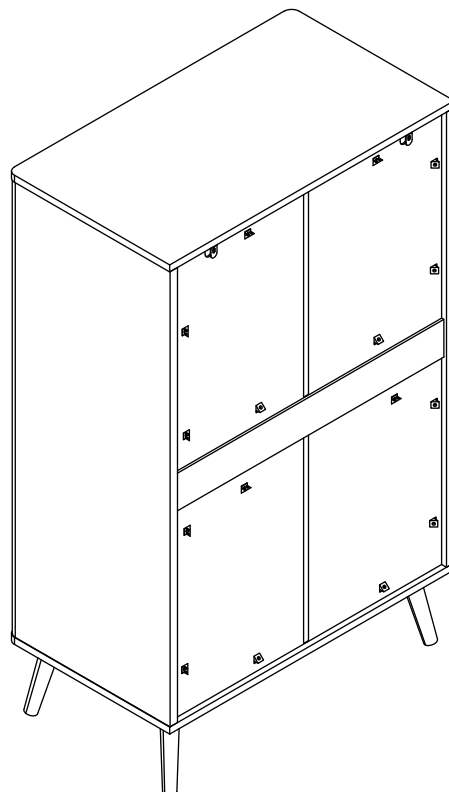
Step 11

Insert the dowel (C) on part ② & ③, connect assembled parts ② & ③ to part ① with cam lock (B), put the cam lock (B) into the corresponding holes on part ② & ③ and use a screwdriver to turn it clockwise to tighten, the installation position is as shown.



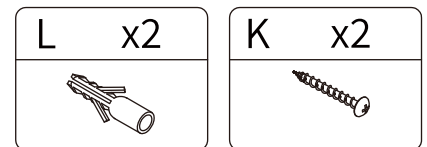
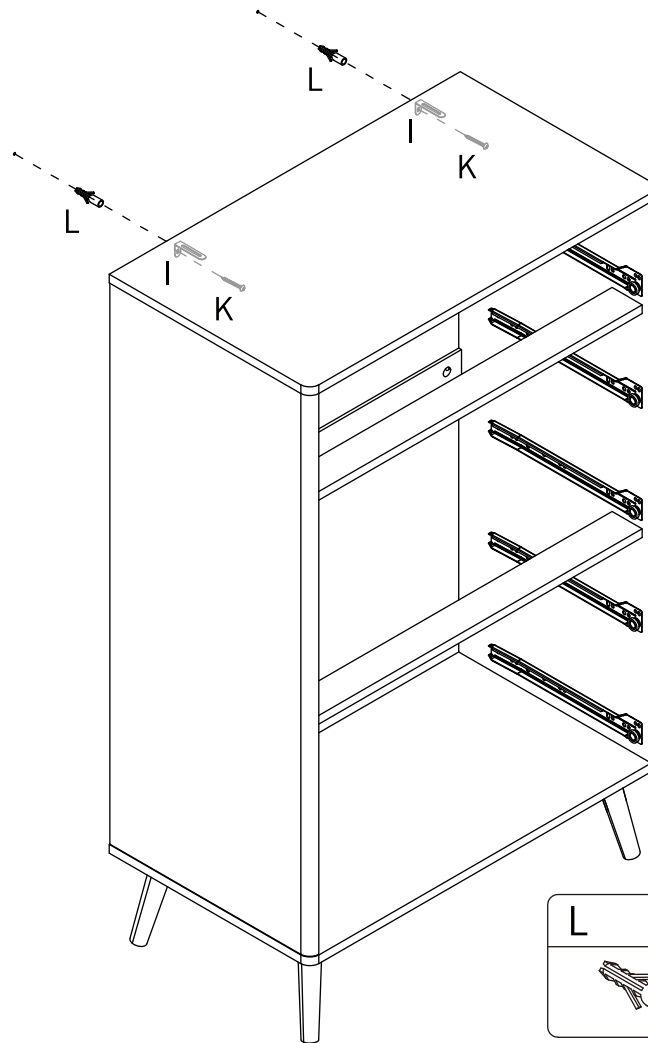
Step 12

Use the screws in component (G), (H) to fasten the back plate buckle. The installation position is as shown.



Step 13

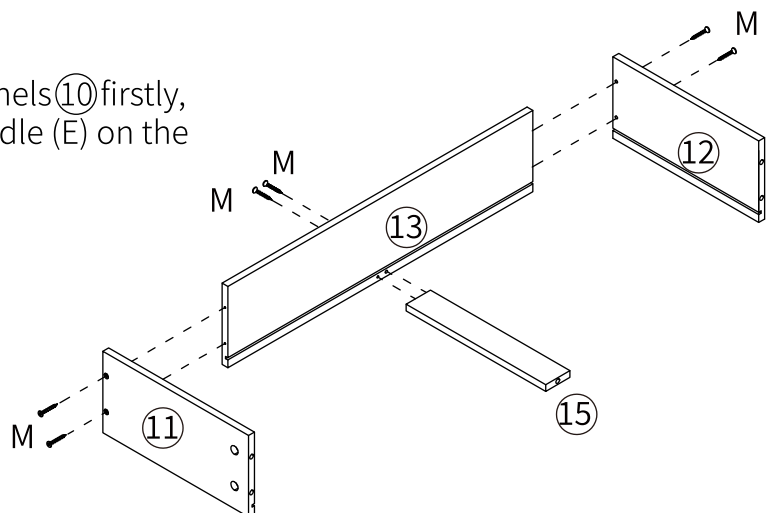
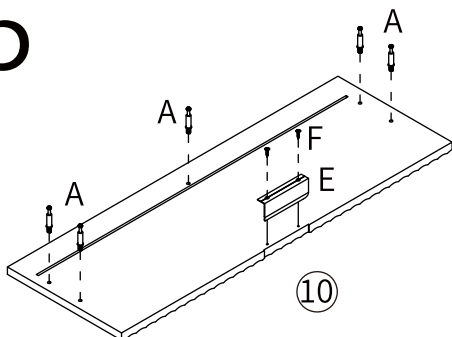
First drill holes on the wall where it is placed, then use expansion screw (L) to fix the cabinet with screw (K). The installation location is as shown.



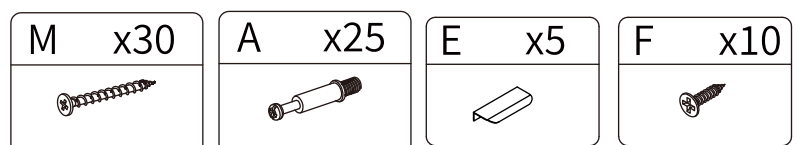
Step 14

Install the screw (A) on the drawer panels (10) firstly, then use the screw (F) to lock the handle (E) on the drawer panels (10).

x5



Connect part (11) & (12) & (15) and part (13) with screw (M), the installation position is as shown below.

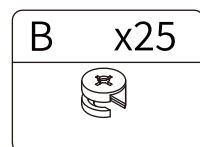
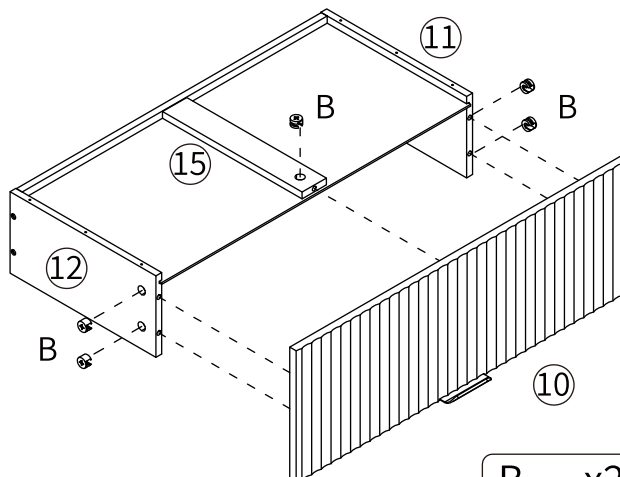
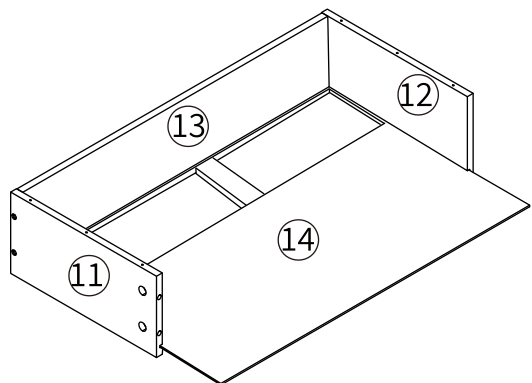


Step 15

x5

Insert the bottom plate (14) along the slots.

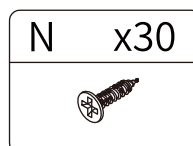
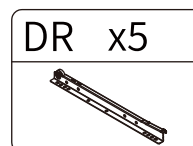
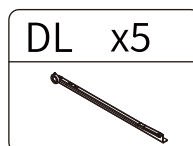
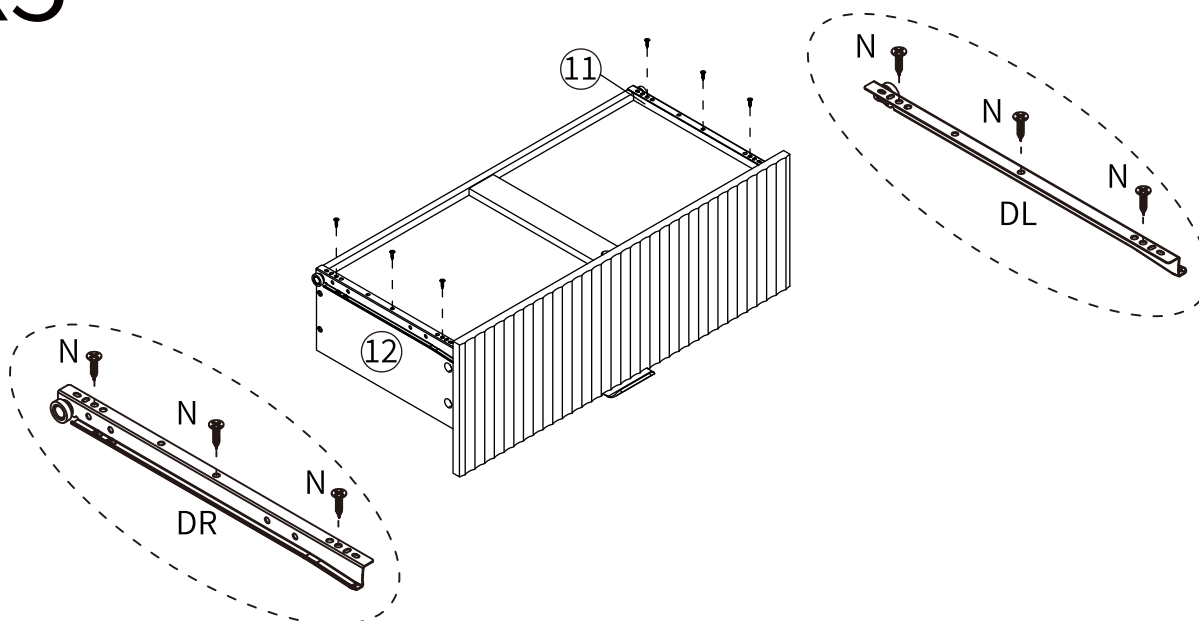
Put the cam lock (B) into the corresponding holes on part (11) & (12) & (15) and use a screwdriver to turn clockwise to tighten, assemble the drawer front plate (10) to the drawer.



Step 16

x5

Use the screw (N) to install the guide rail (DR) on the side panel (12) and install the guide rail (DL) on the side panel (11) with screw (N), the installation position is as shown.



Step 17

