

RVL2018WL

FIRECLAY FARMHOUSE SINK

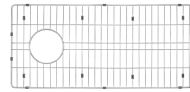
RUVATI[®]
SPECIFICATION SHEET

MATERIAL

- True Italian Fireclay - Made in ITALY.
- 1-inch thick solid fireclay.
- Fired at 2900F for extreme strength.

FEATURES

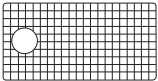
- Large deep bowl.
- Rounded inside corners.
- Glossy enamel surface resistant to stains and scratches.



IN THE BOX



Basket Strainer
[RVA1039ST]



Rinse Grid
[RVA62018]

NOMINAL DIMENSIONS

Exterior: 30" (wide) x 18" (front-to-back)
Interior Bowl: 28" (wide) x 16" (front-to-back)
Bowl Depth: 8-1/2"
Minimum Cabinet Size: 33" wide
Drain Hole Size: 3 1/2"

Installation Type:
Farmhouse
Inside Corners:
Rounded
Drain Location:
Offset

RUVATI USA
www.ruvati.com

Phone: 1.855.478.8284
Email: support@ruvati.com

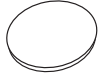
OPTIONAL ACCESSORIES (SOLD SEPARATELY)



Deep Basket
Disposal Flange
[RVA1049ST]

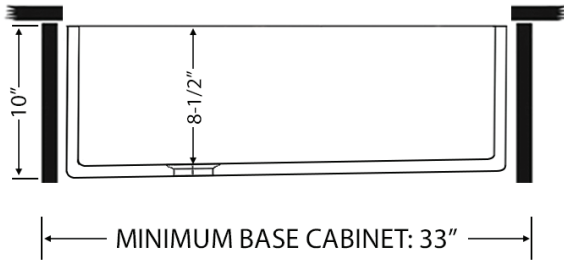
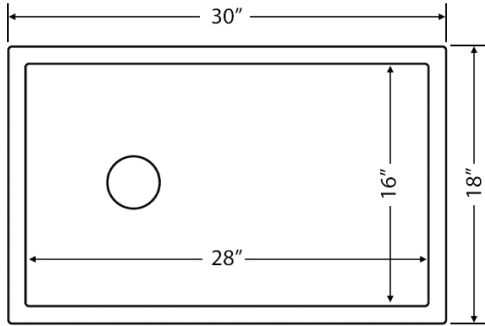


Deep Basket
Disposal Flange/Stopper
[RVA1052ST]



Drain Cover
[RVA1035]

DIMENSIONS



SCAN TO REGISTER YOUR WARRANTY

or visit
www.ruvati.com/register