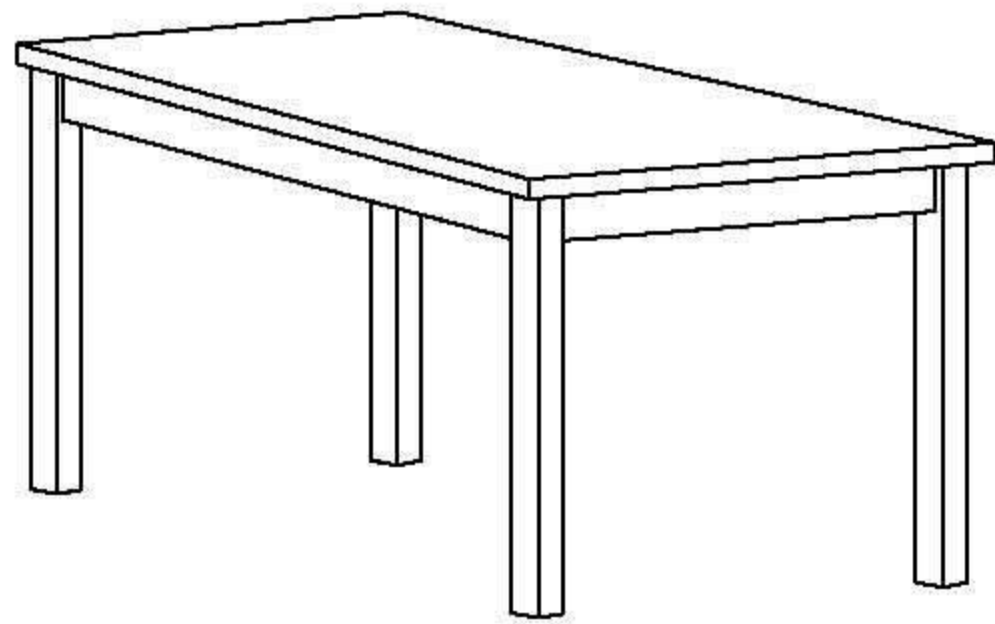
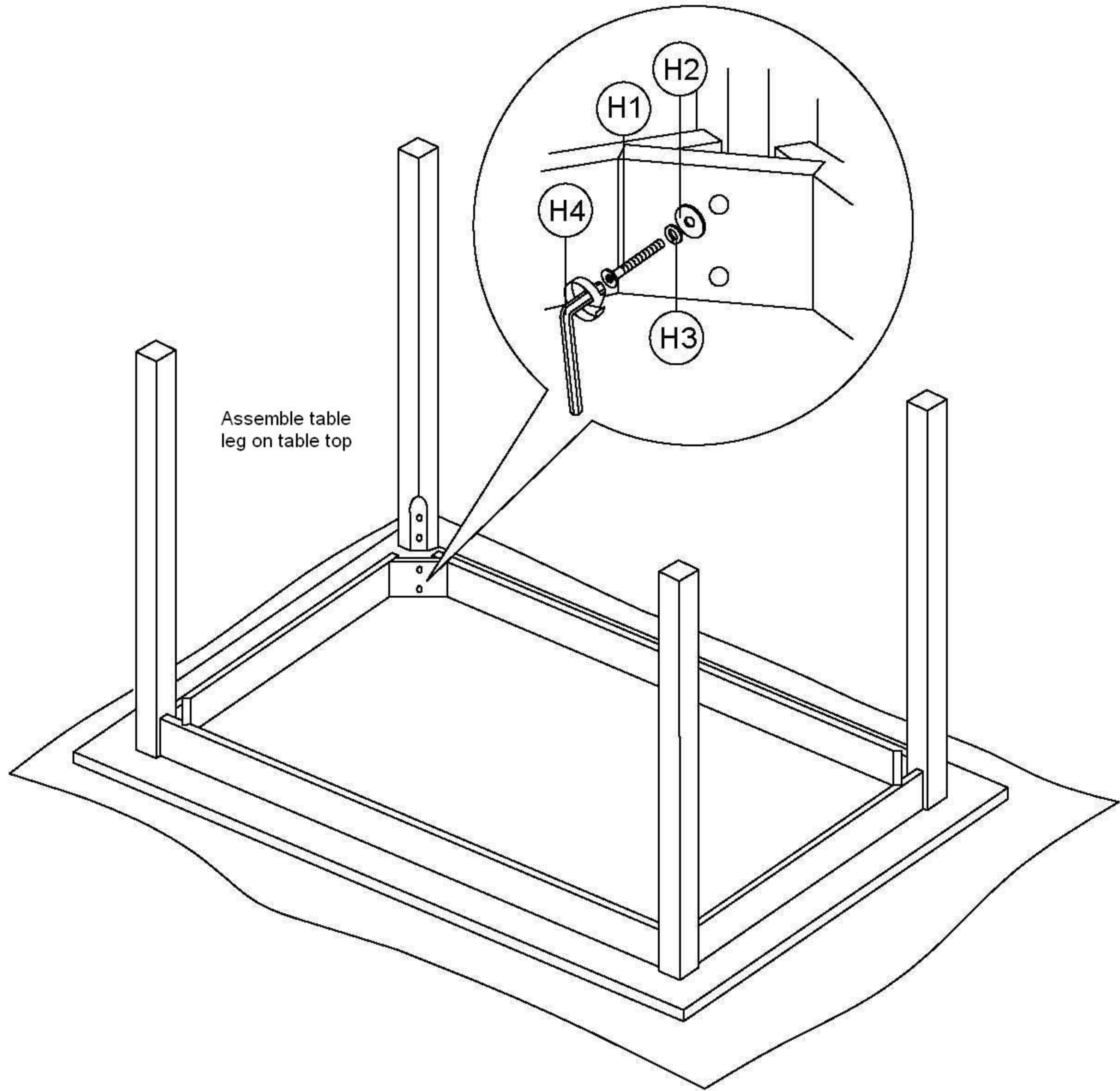


DINING TABLE

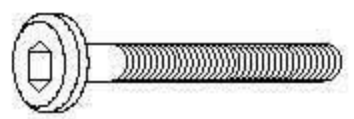
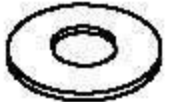

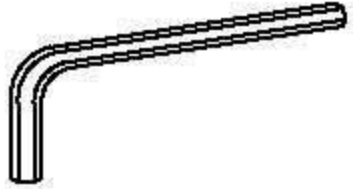


ASSEMBLY INSTRUCTION

STEP - 1



HARDWARE LIST

NO	DESCRIPTION	QTY
H1	 M8 x 50mm JCBB	8 pcs
H2	 M8 FLAT WASHER	8 pcs
H3	 M8 SPRING WASHER	8 pcs
H4	 ALLEN KEY	1 pcs