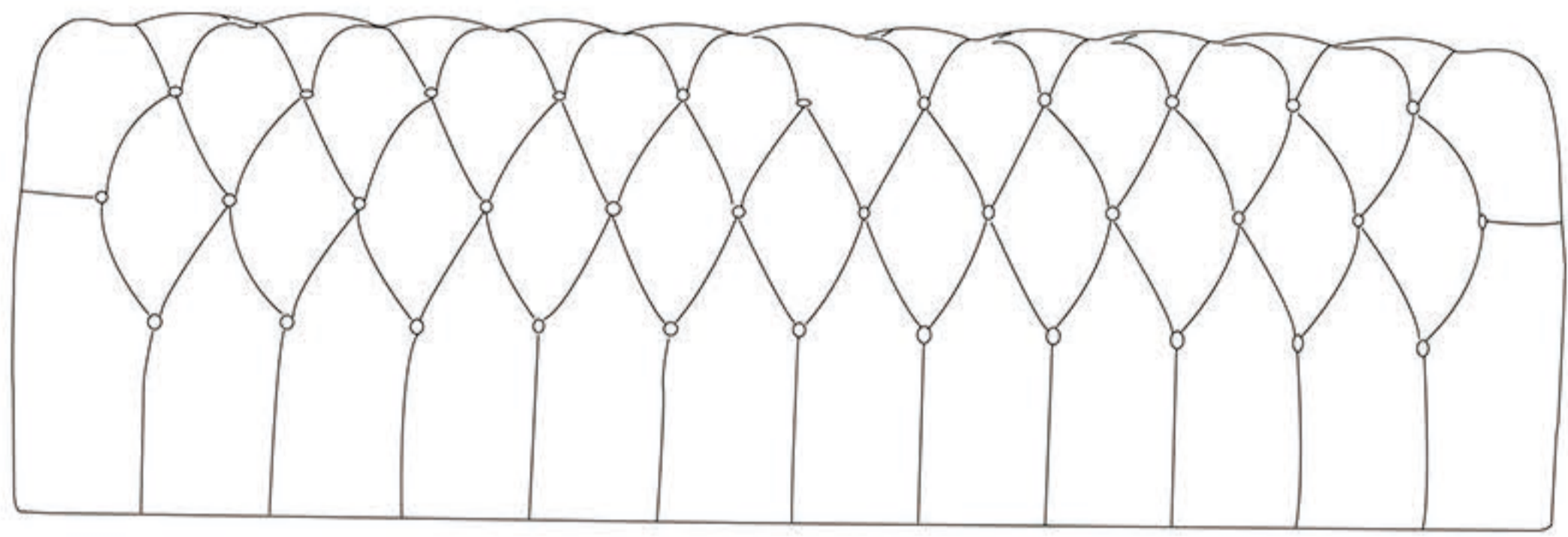


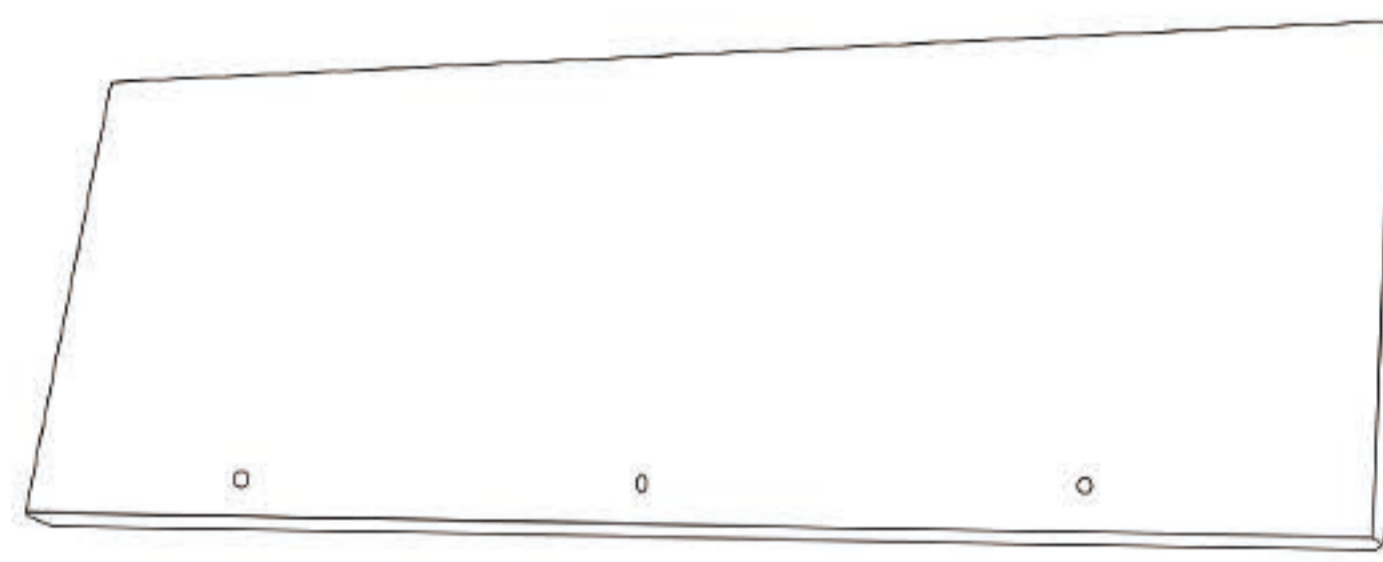
Assembly Instruction



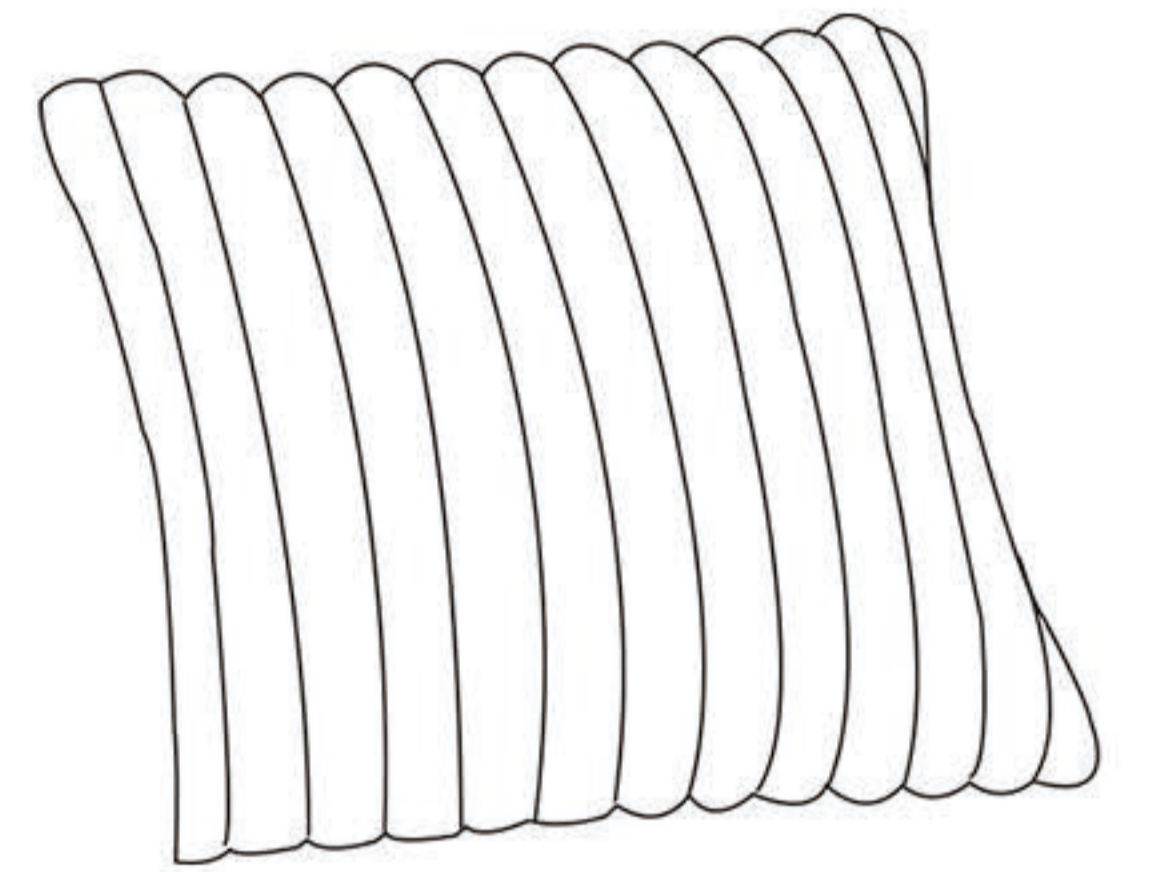
Package 1:



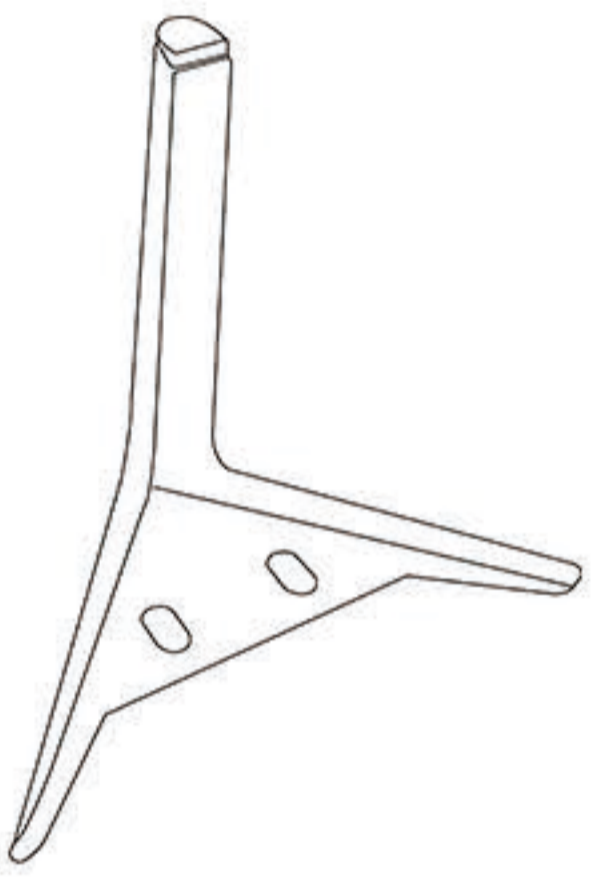
A: sofa back *1pcs



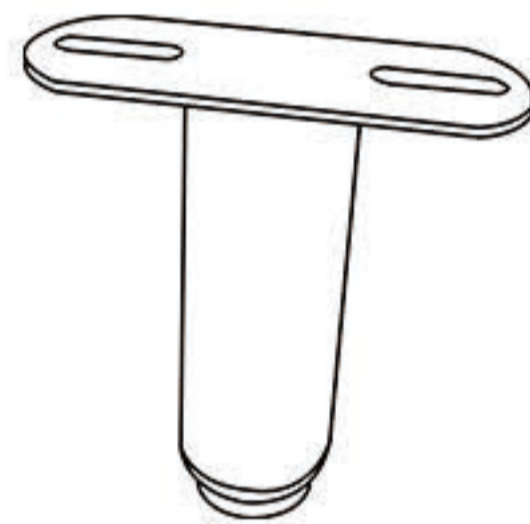
B: arm *2pcs



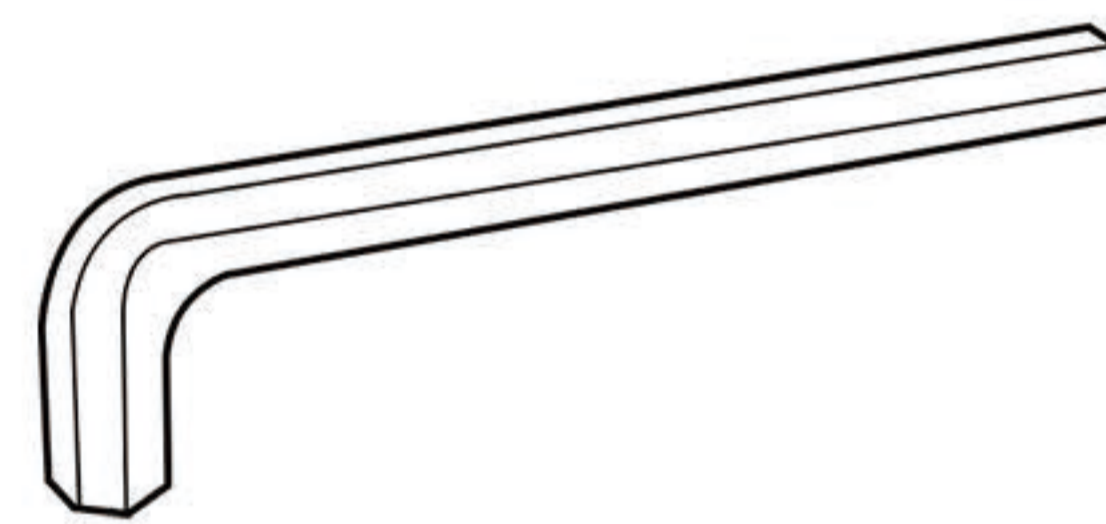
C: pillow *2pcs



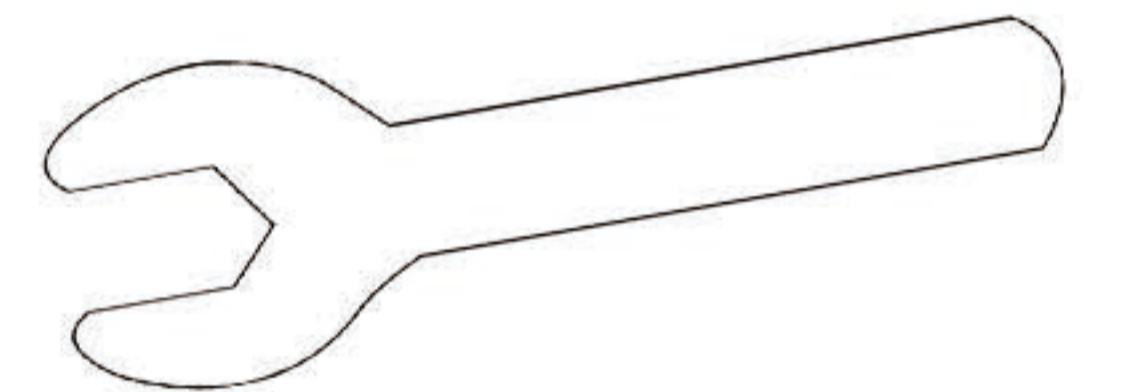
D: leg *4pcs



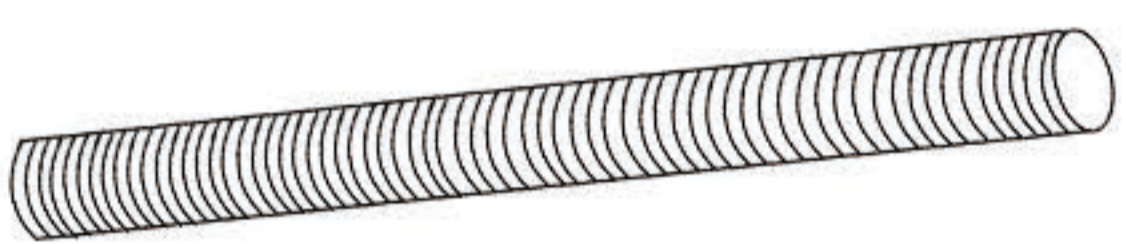
**E: middle leg
2pcs**



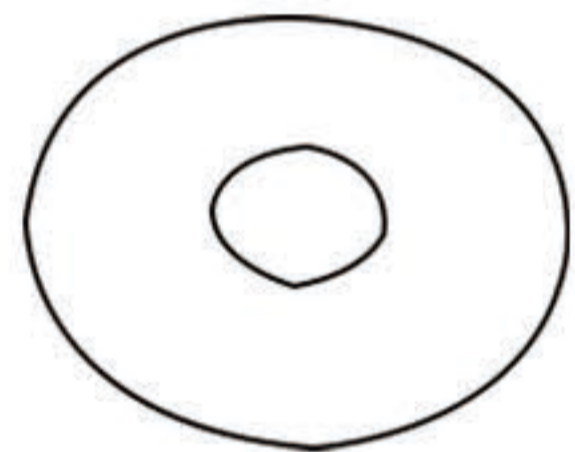
**F: M6 hex keys
1pcs**



**G: M6 spanner
1pcs**



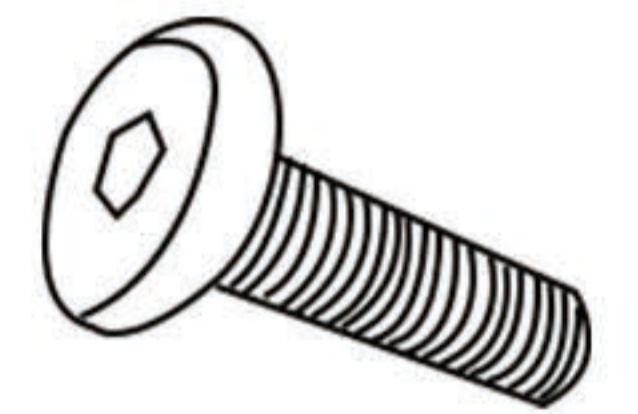
**H: M6x90mm
10pcs**



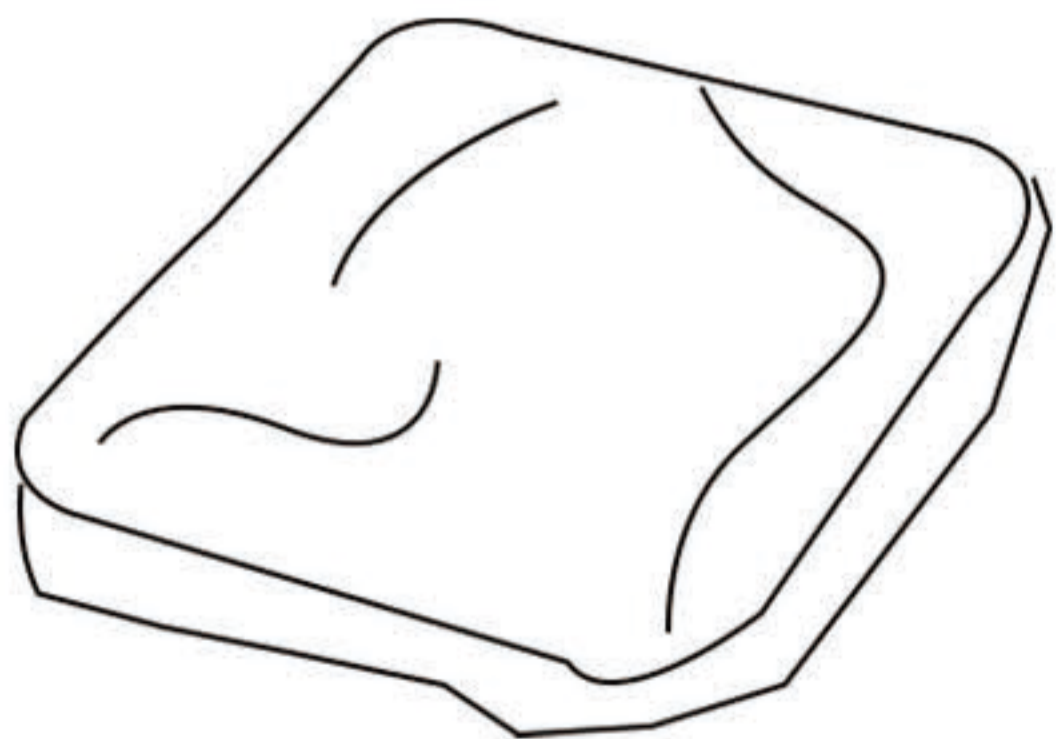
**I: M6 washer
12pcs**



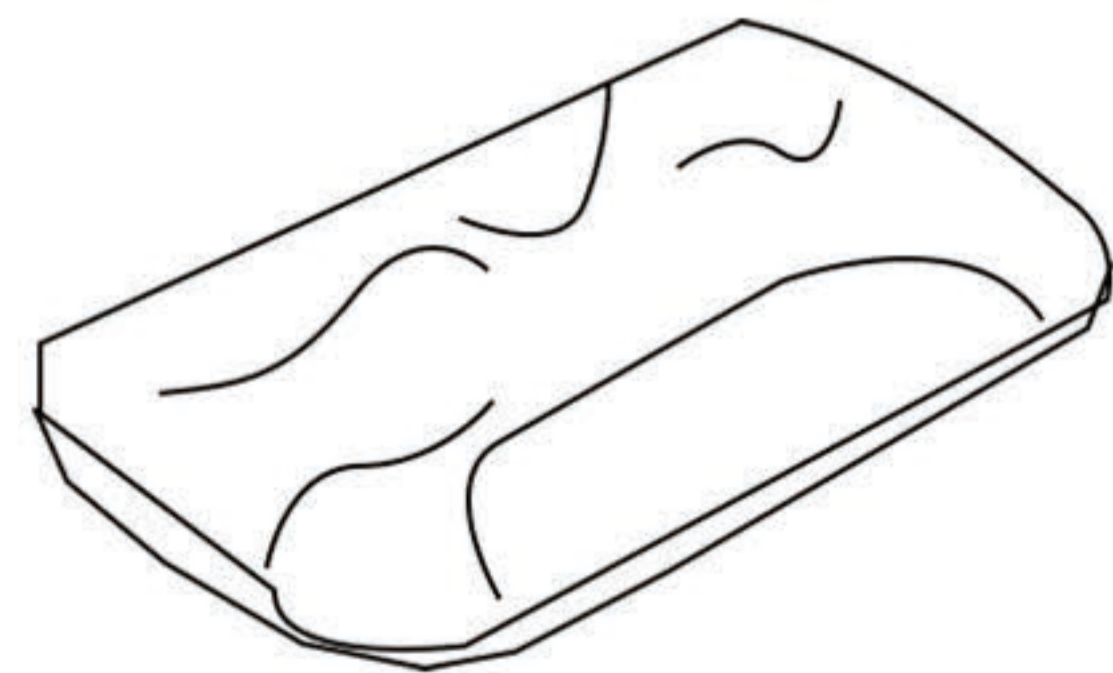
J: Nut * 6pcs



**K: M6 x20mm
2pcs**



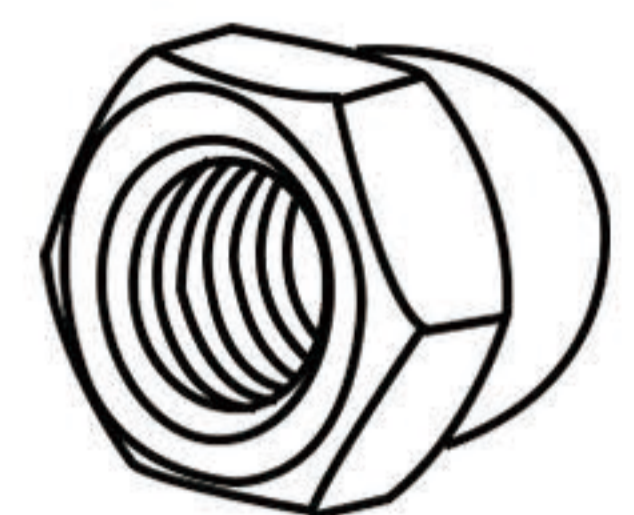
**L: seat cushion
cover *2pcs**



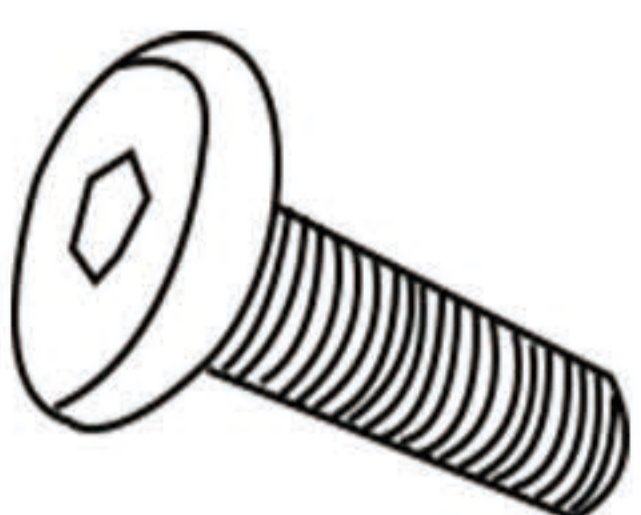
**M: armrest cushion
cover *2pcs**



**R: double-sided
velcro *2pcs**



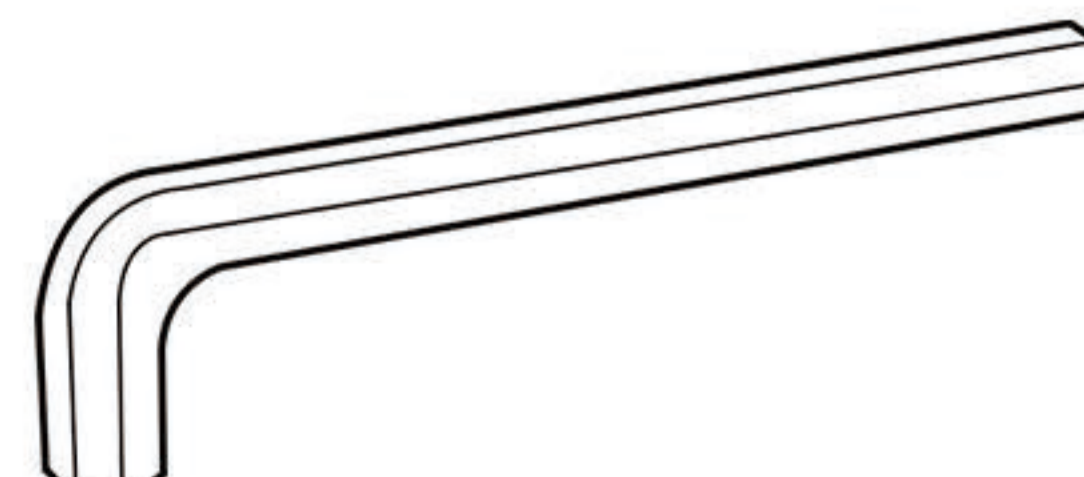
S: Cap nut *4pcs



**T: M8 x20mm
8pcs**

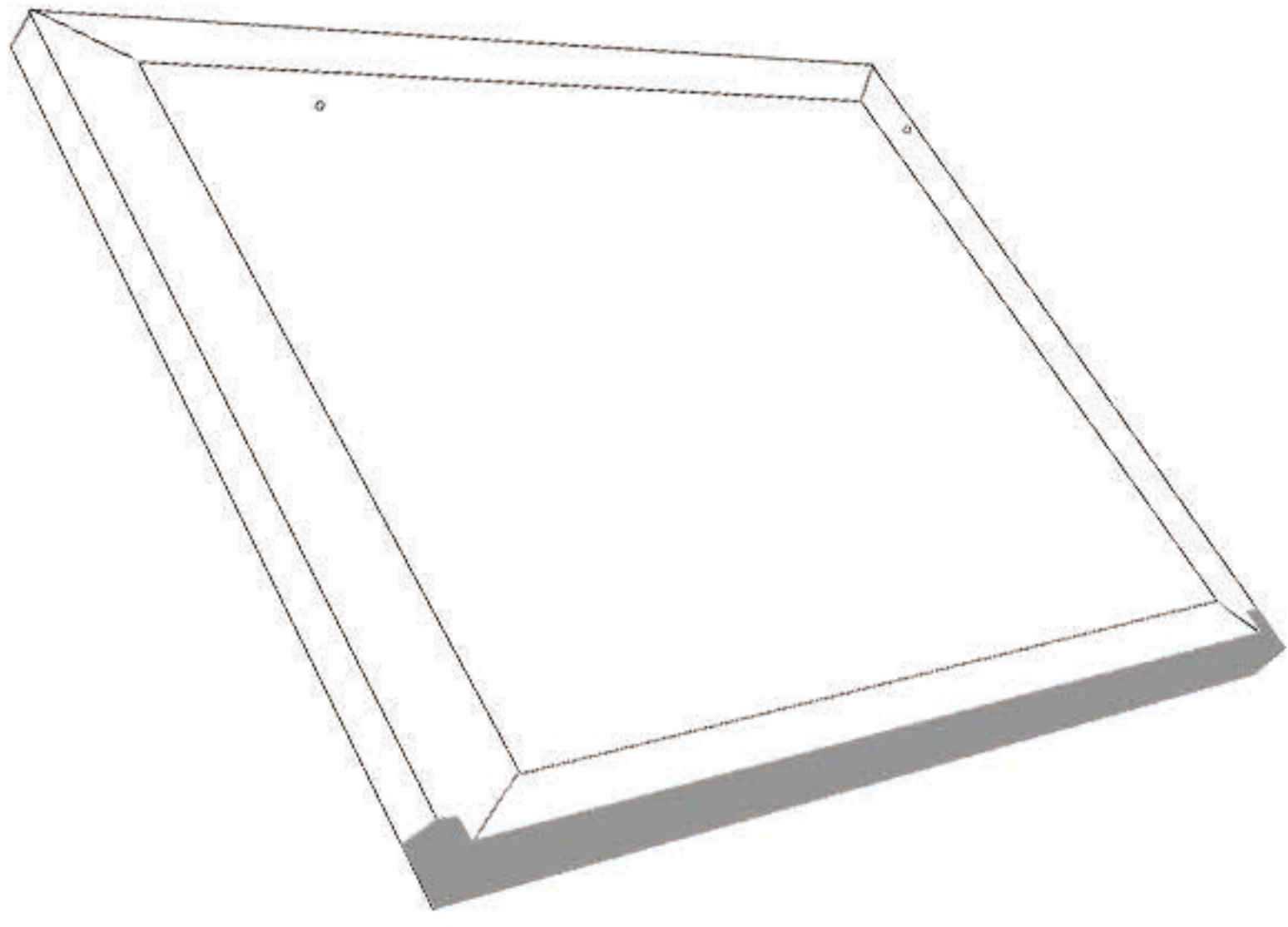


**U: M8 washer
8pcs**

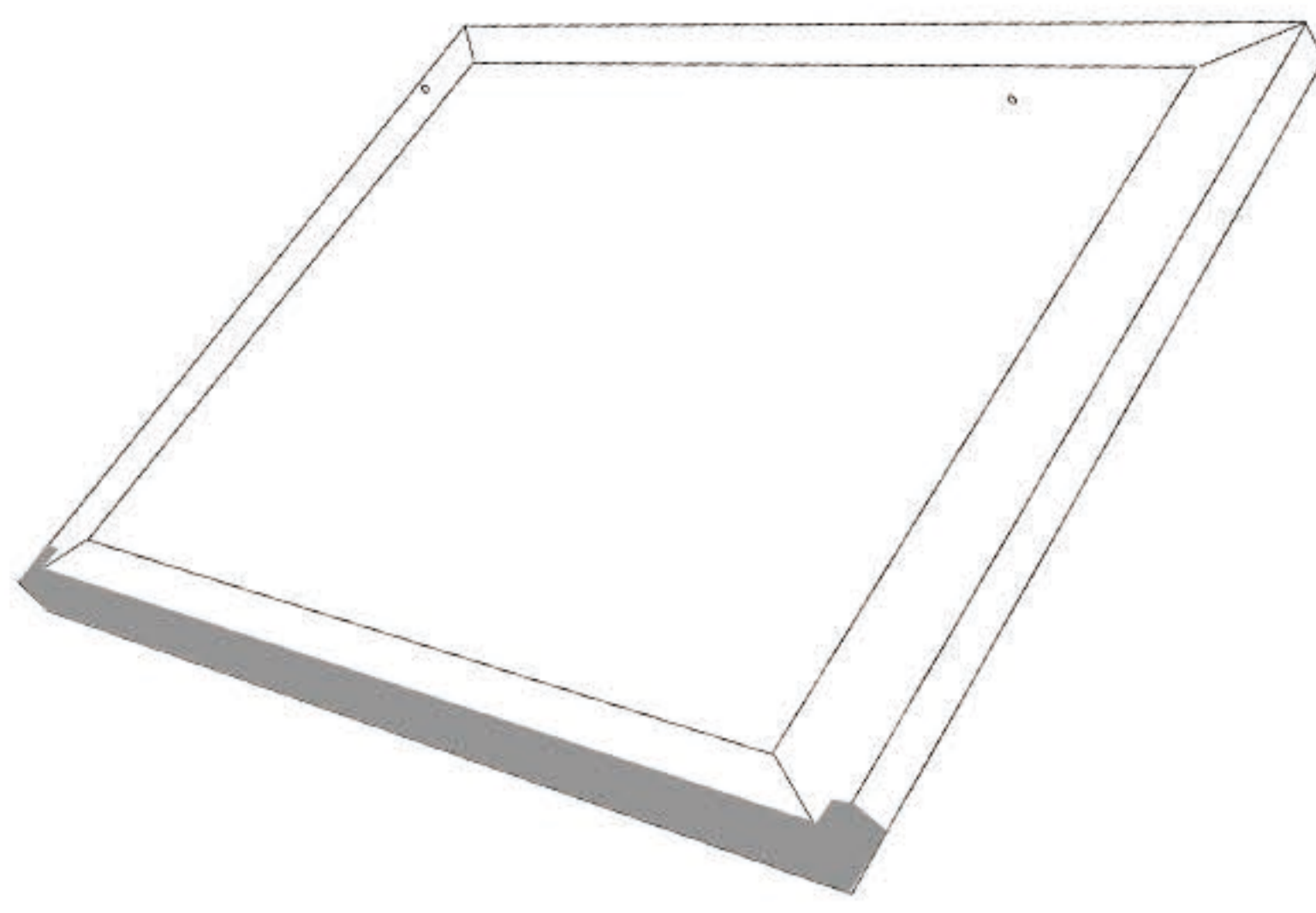


**V: M8 hex keys
1pcs**

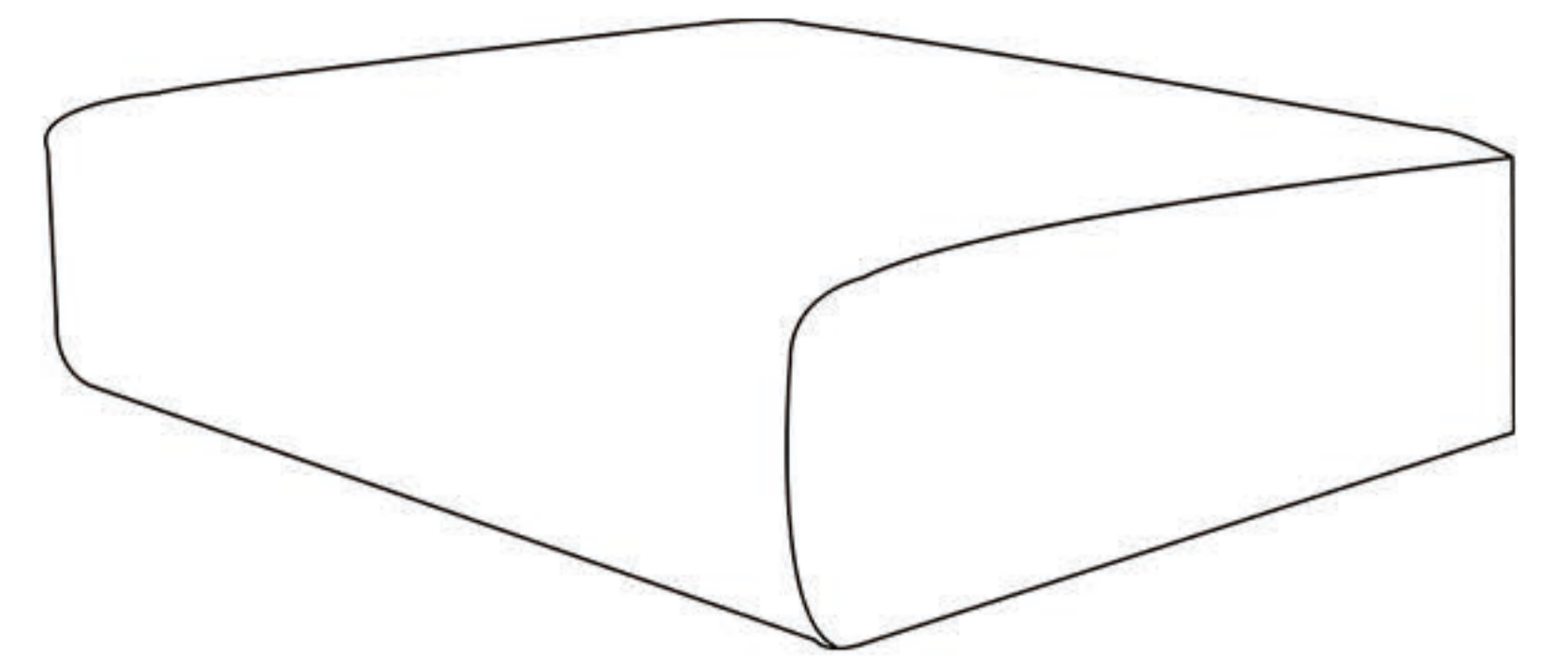
Package 2 :



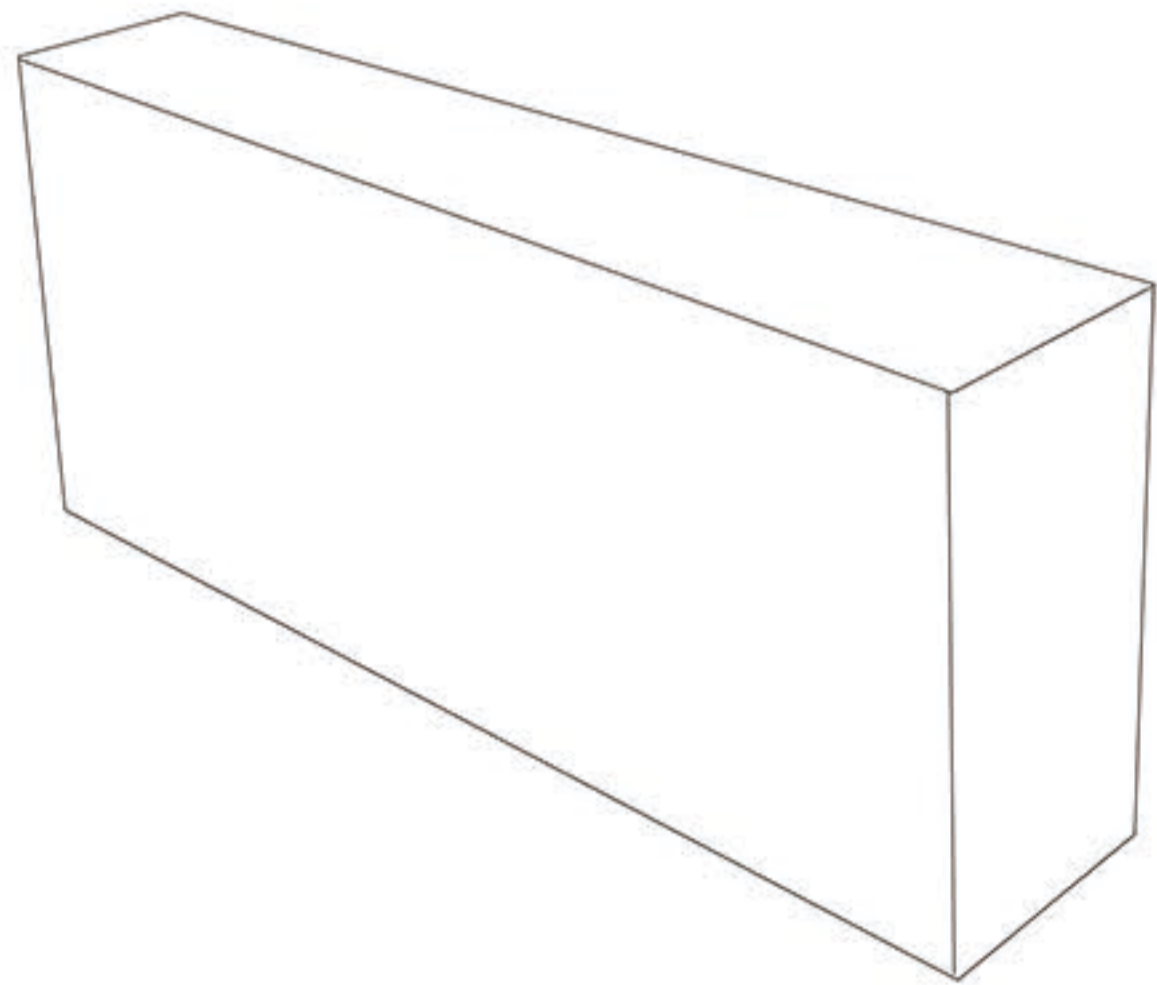
N: seat frame(left)
1pcs



O: seat frame(right)
1pcs



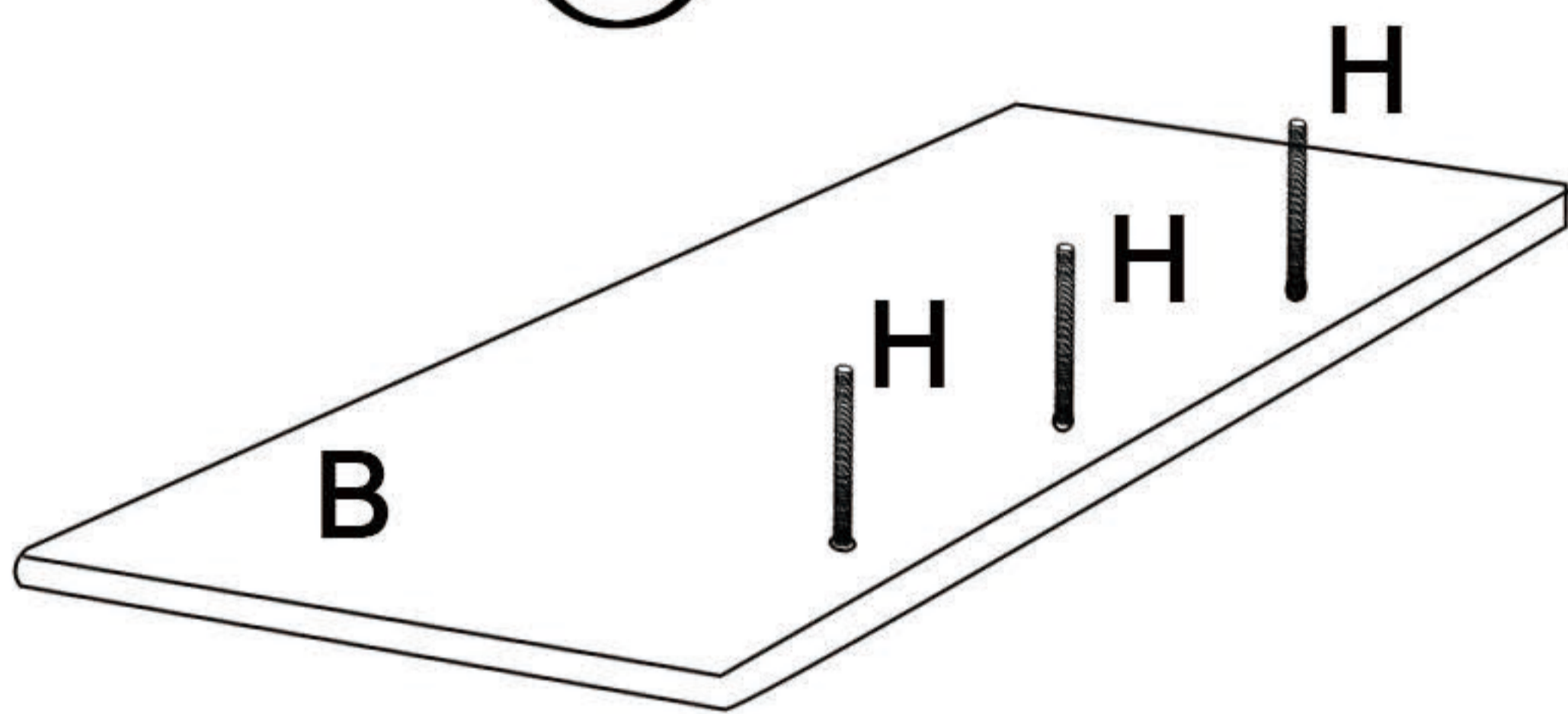
P: compressed seat cushion *2pcs



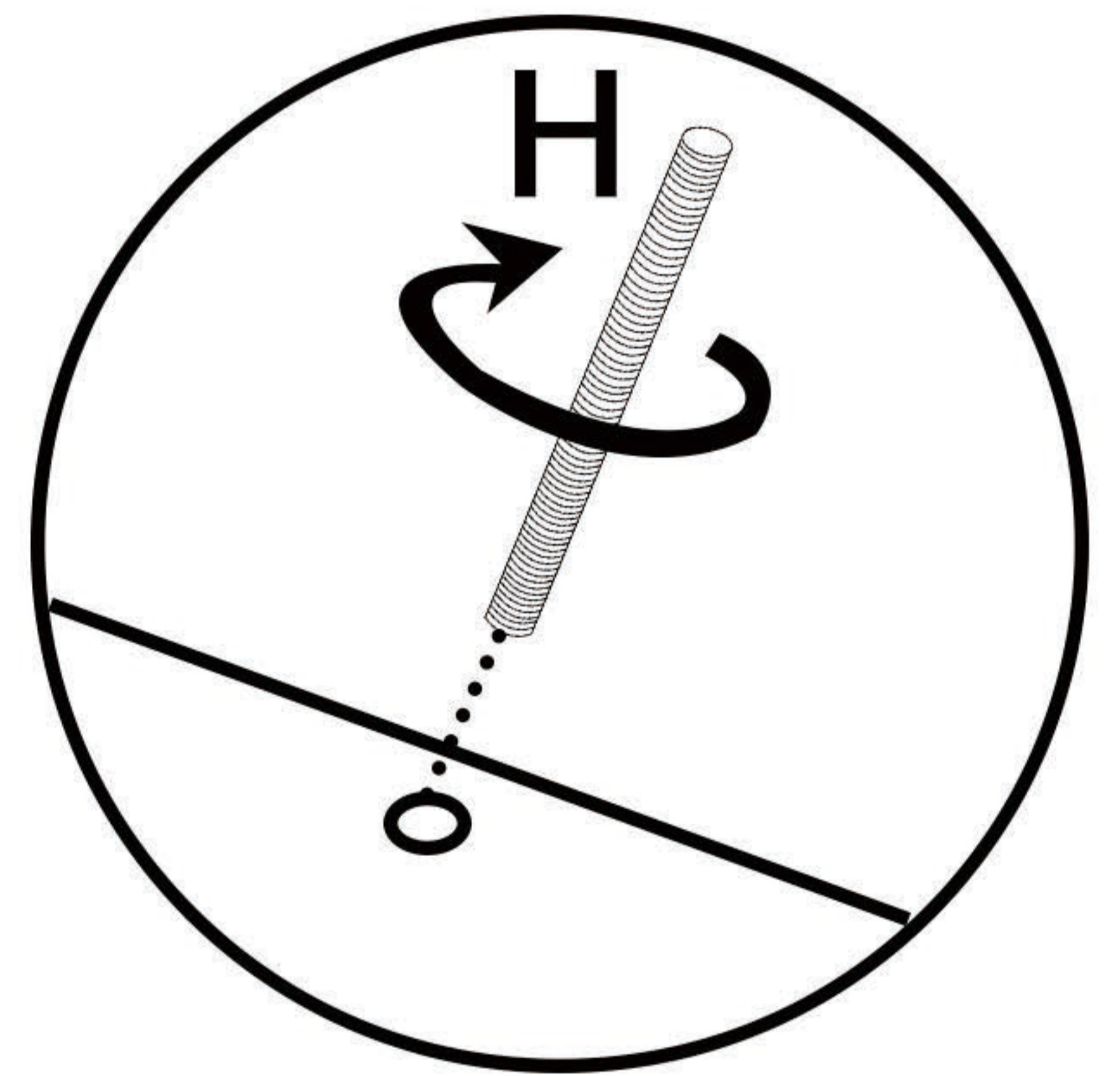
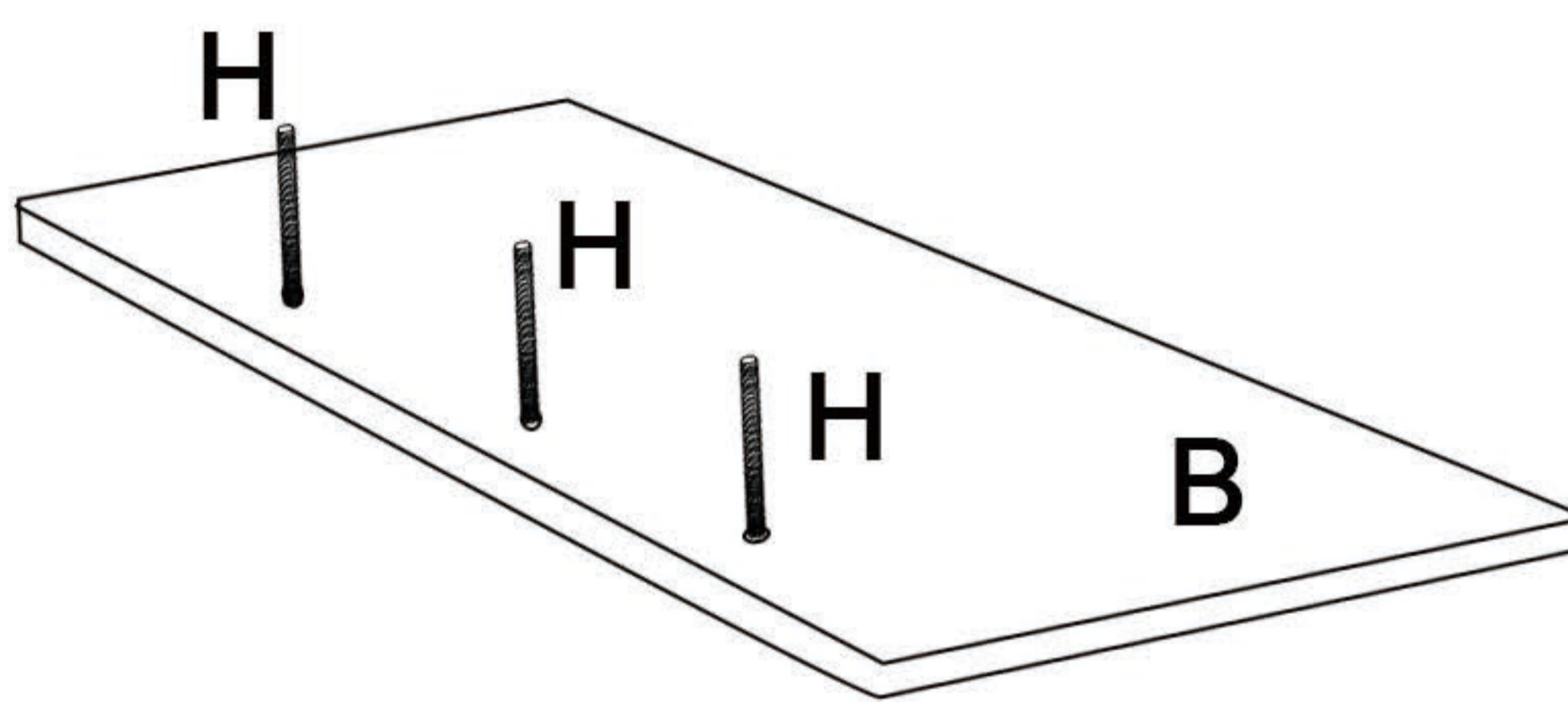
Q: compressed armrest cushion *2pcs

Step 1:

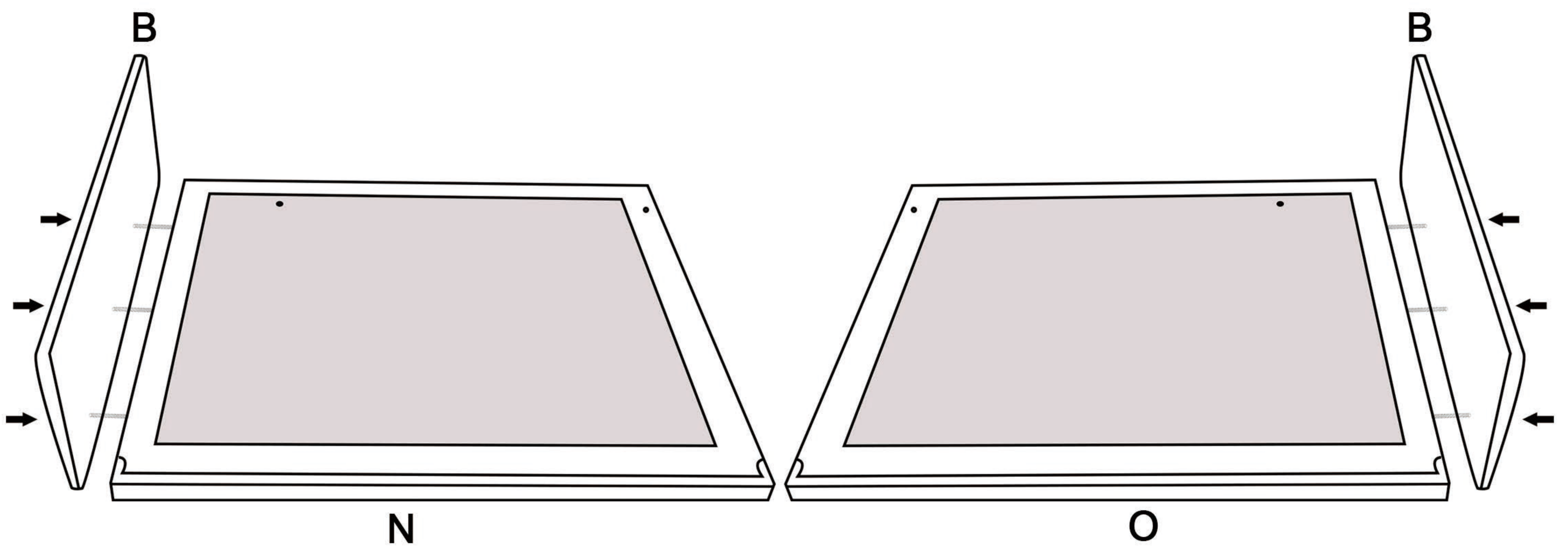
①



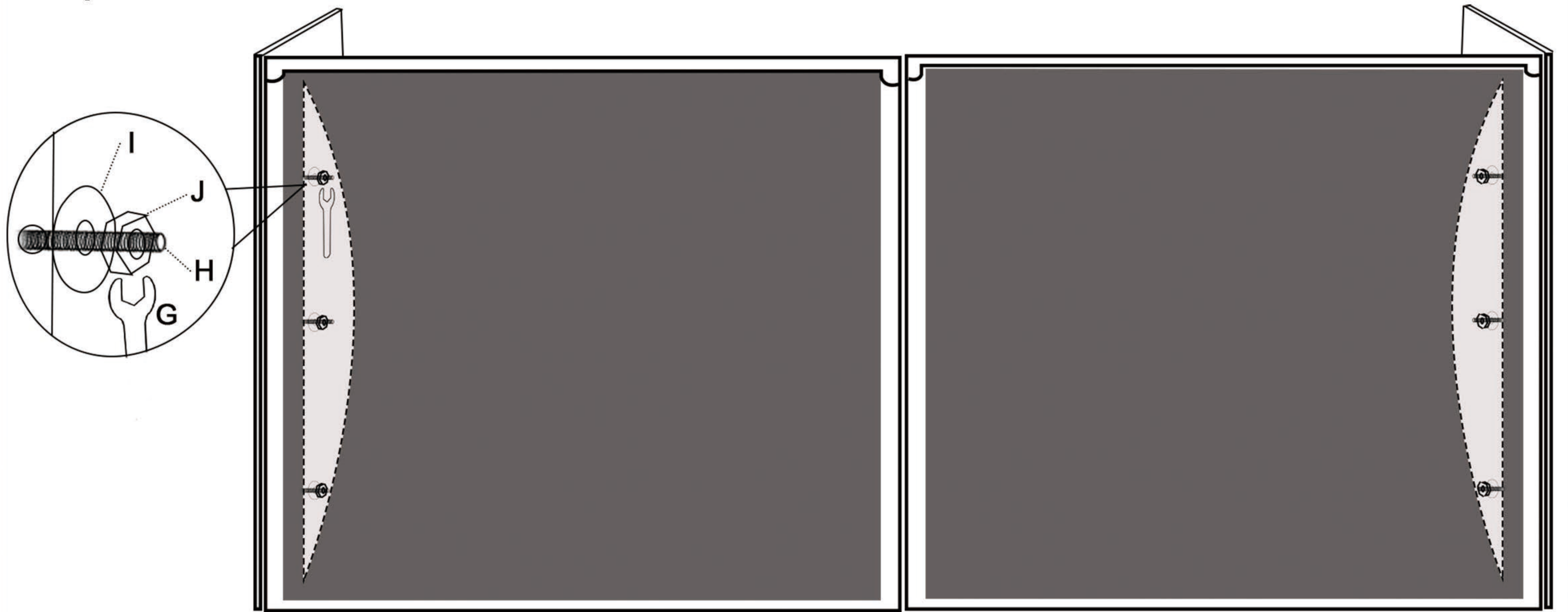
②



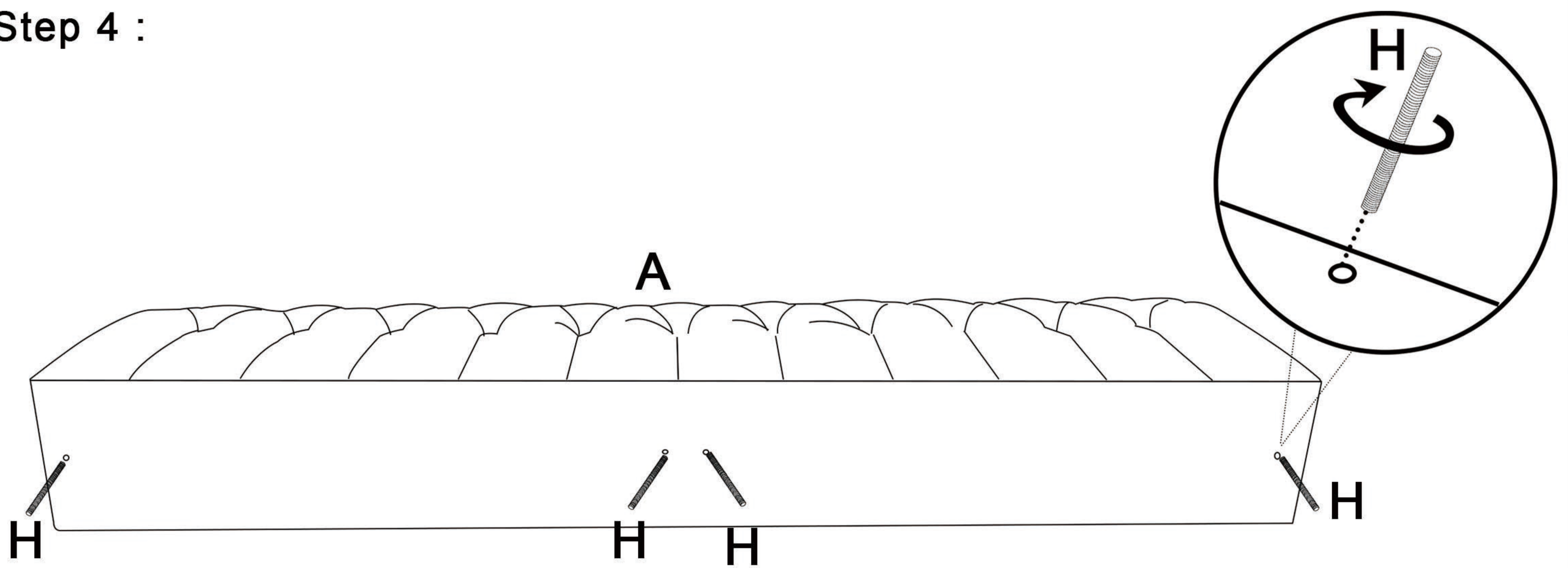
Step 2 :



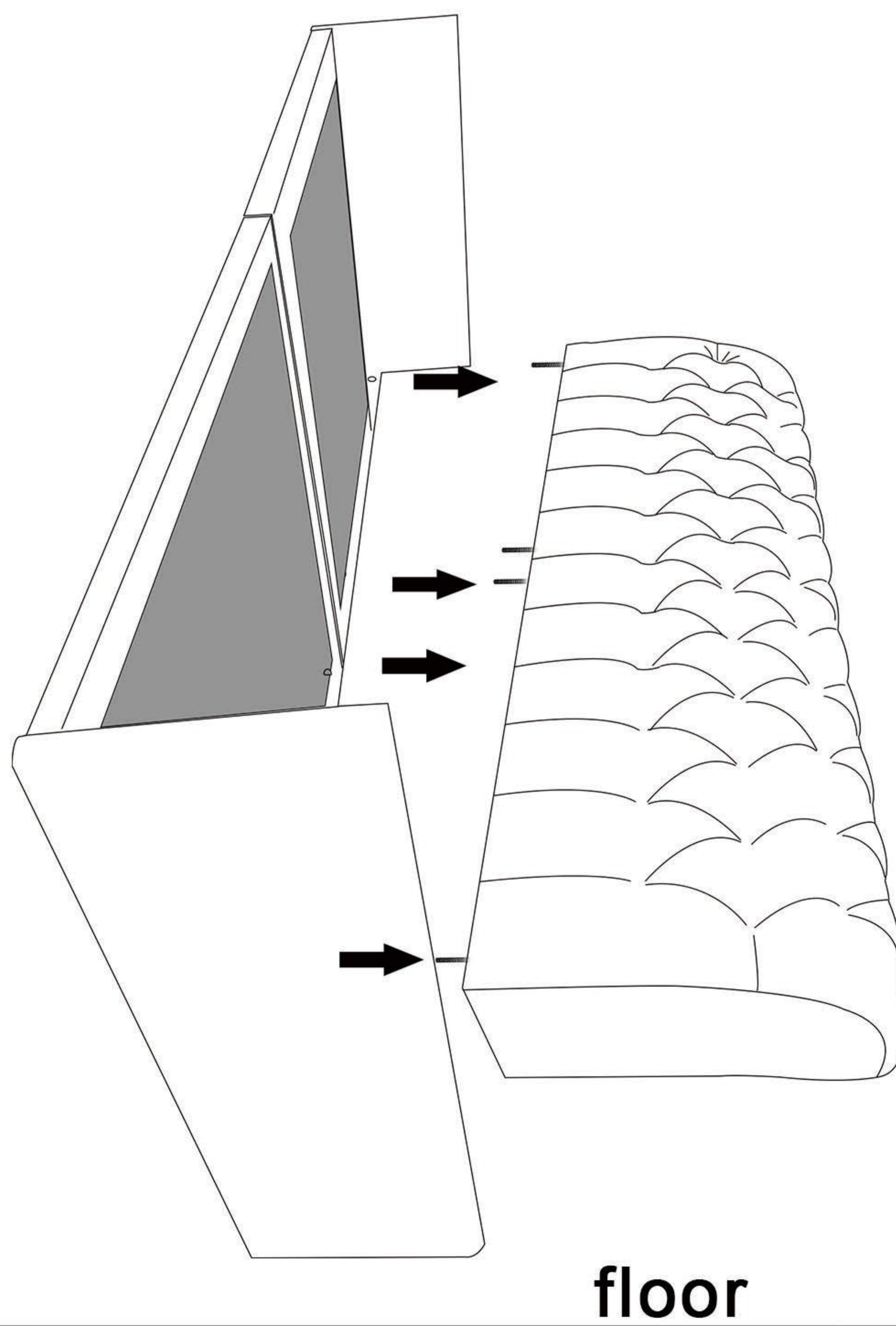
Step 3 :



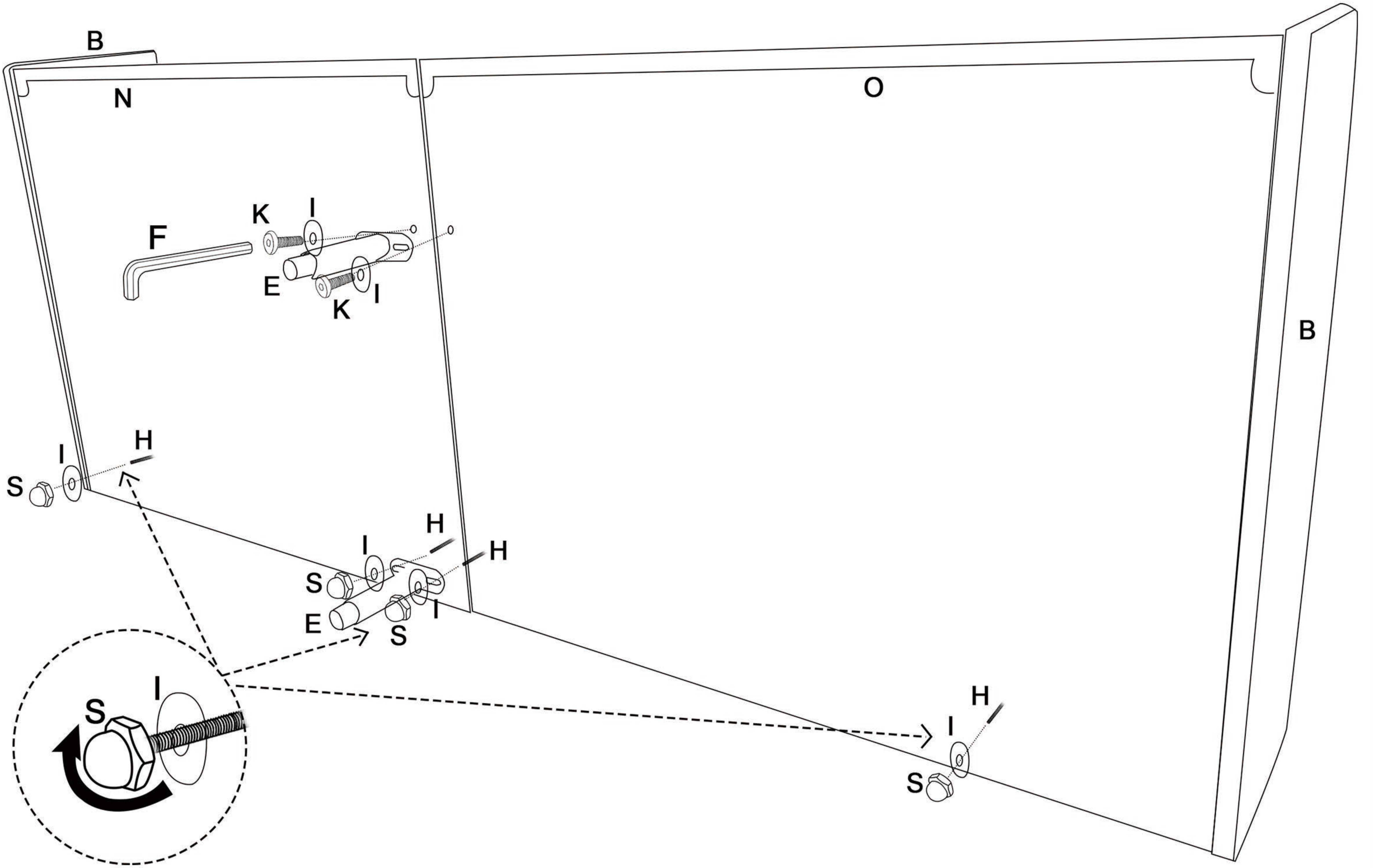
Step 4 :



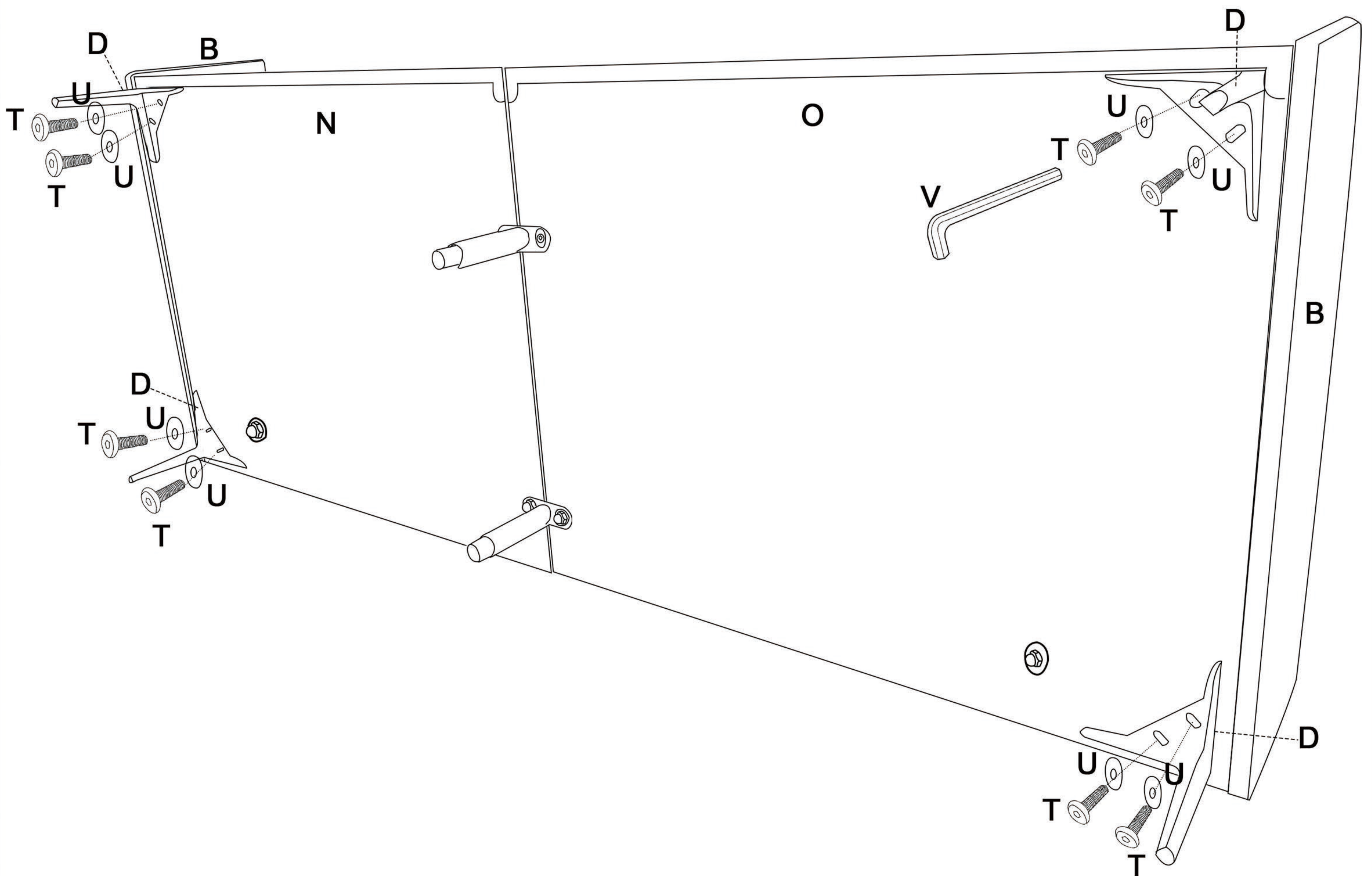
Step 5 :



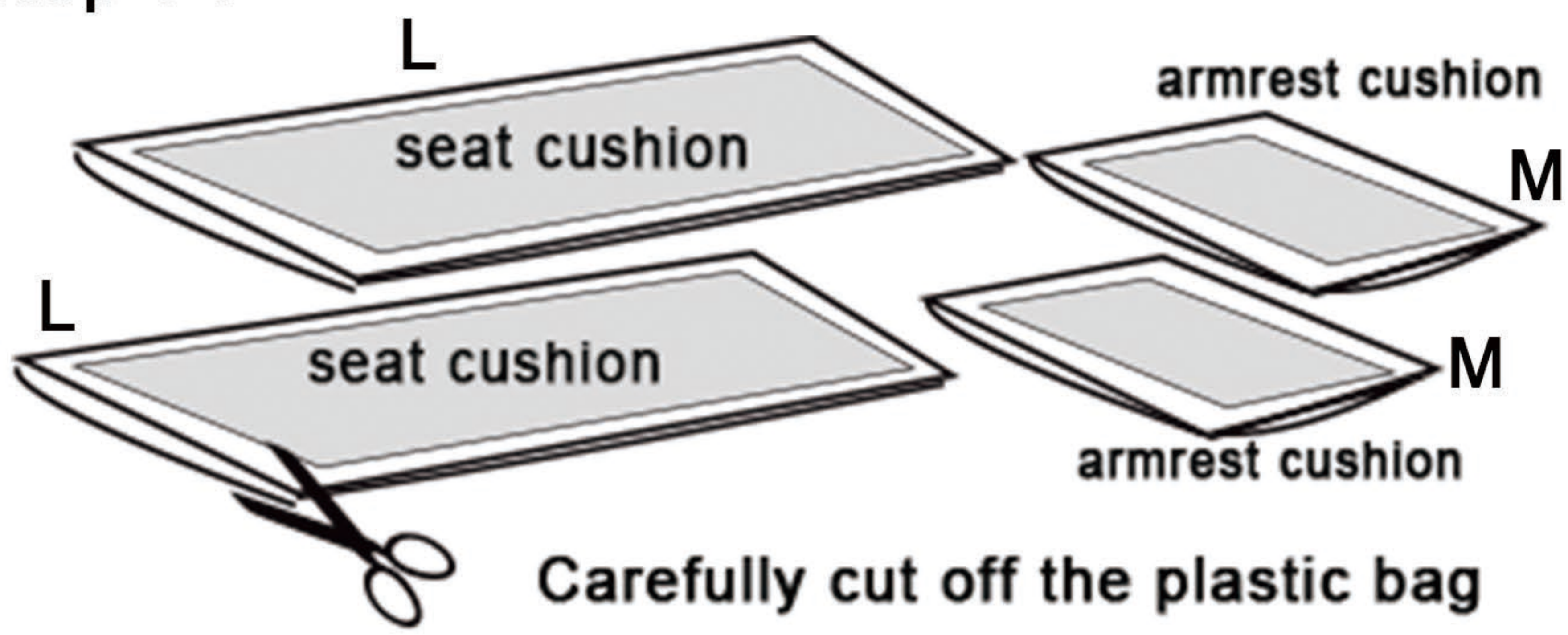
Step 6 :



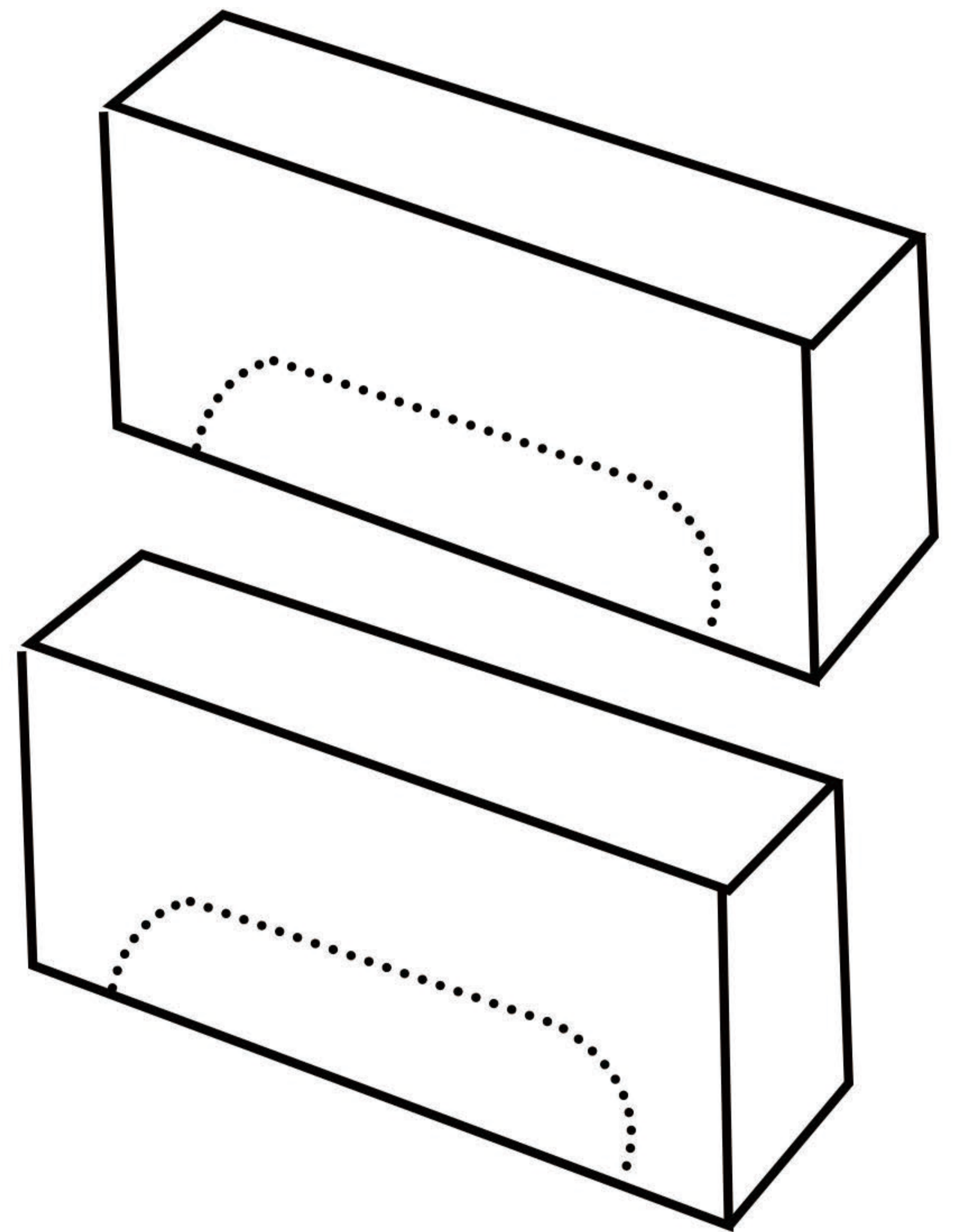
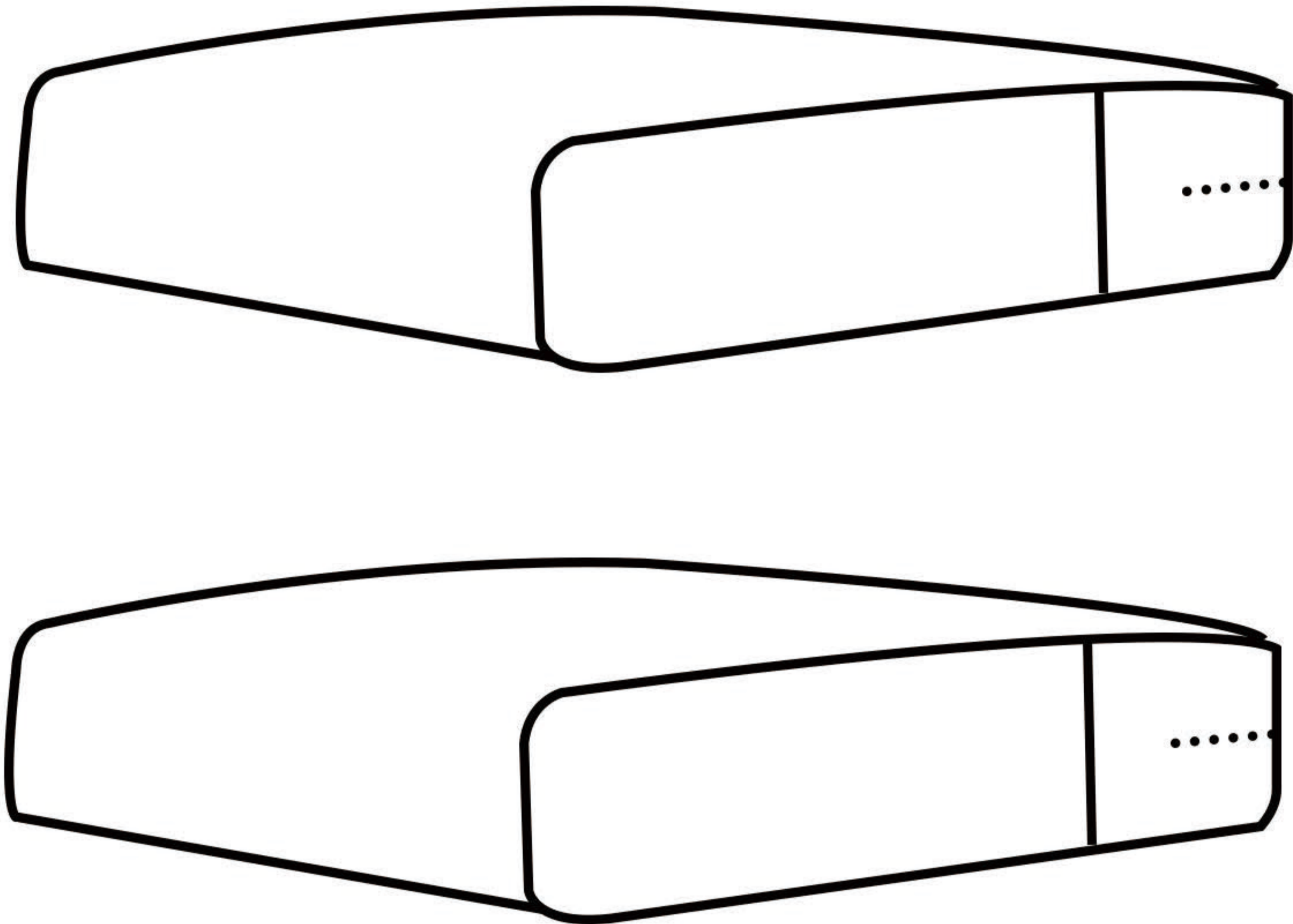
Step 7 :



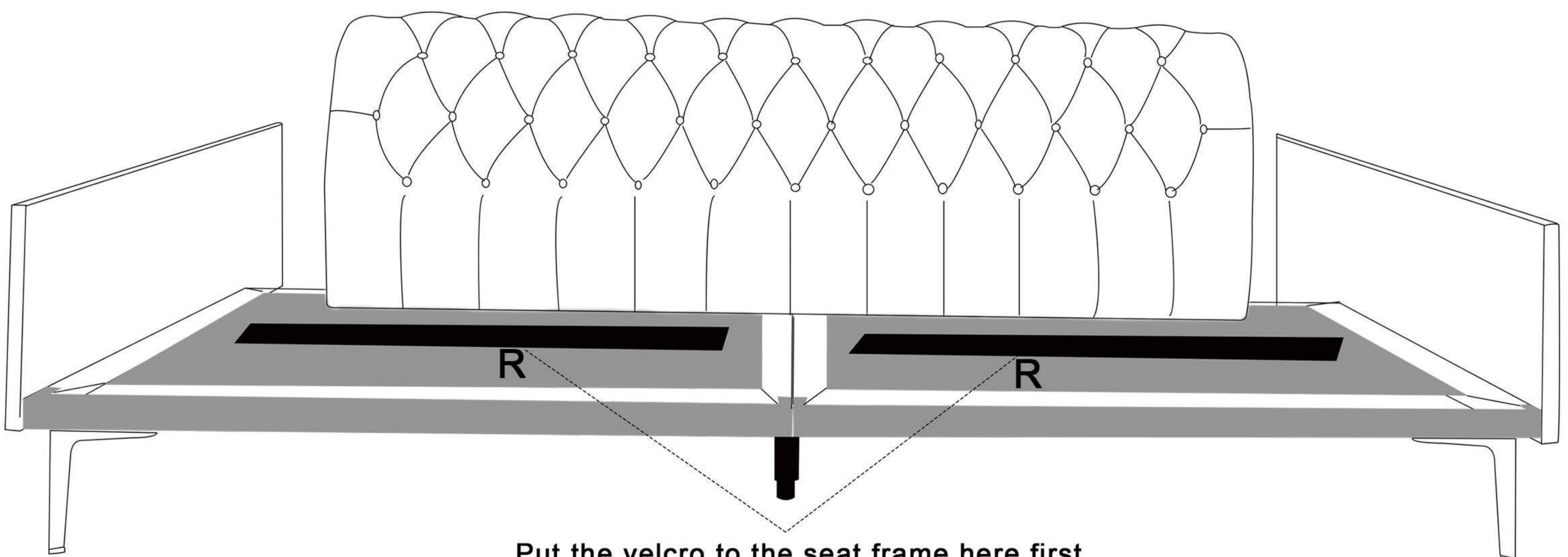
Step 8 :



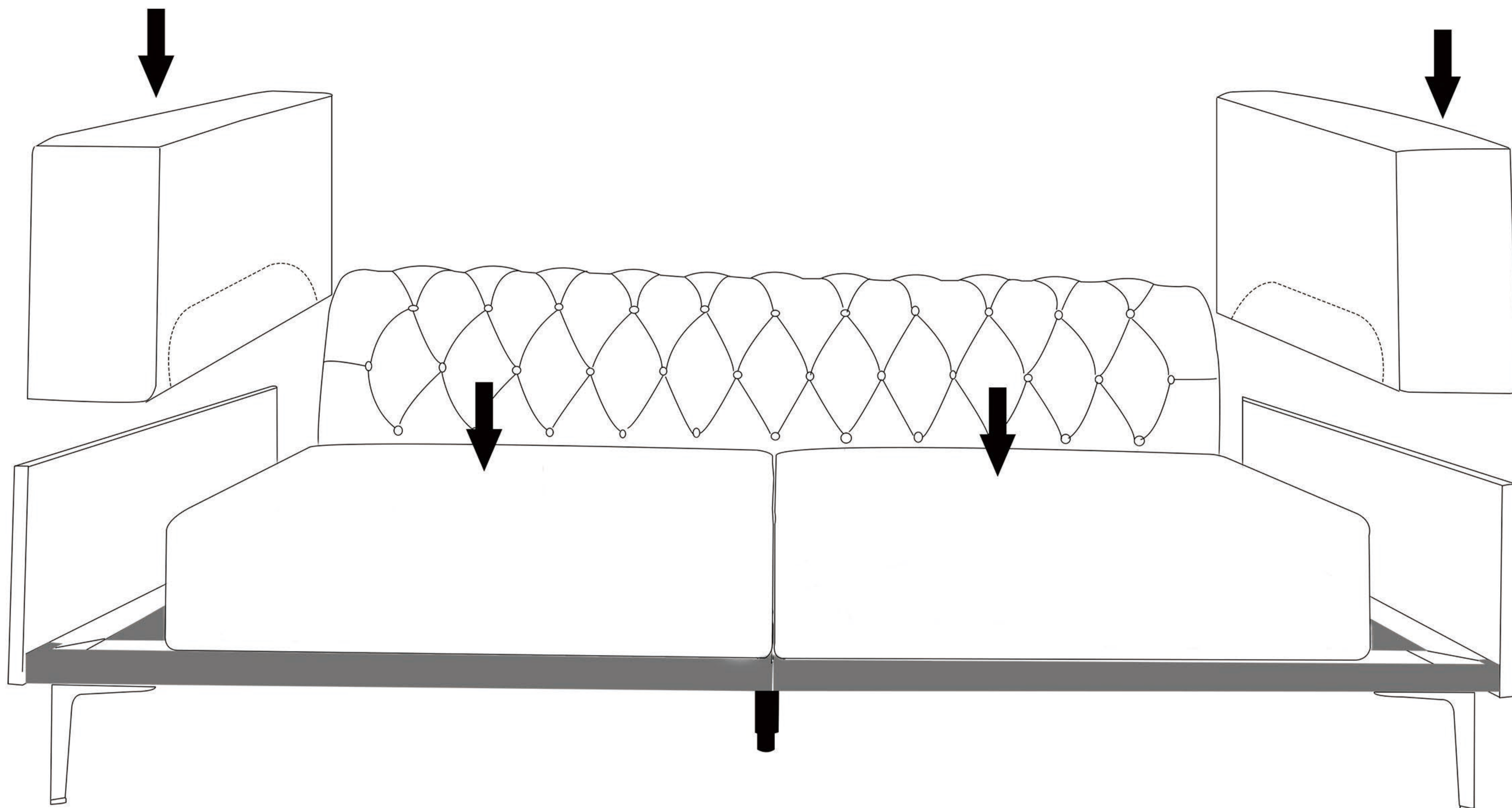
After covering the fabric covers to the seat cushion and armrest cushion:



Step 9 :



Step 10 :



Step 11 :

