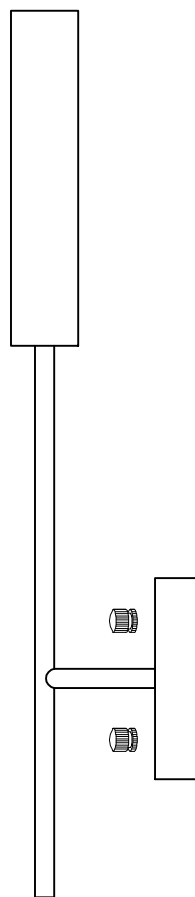
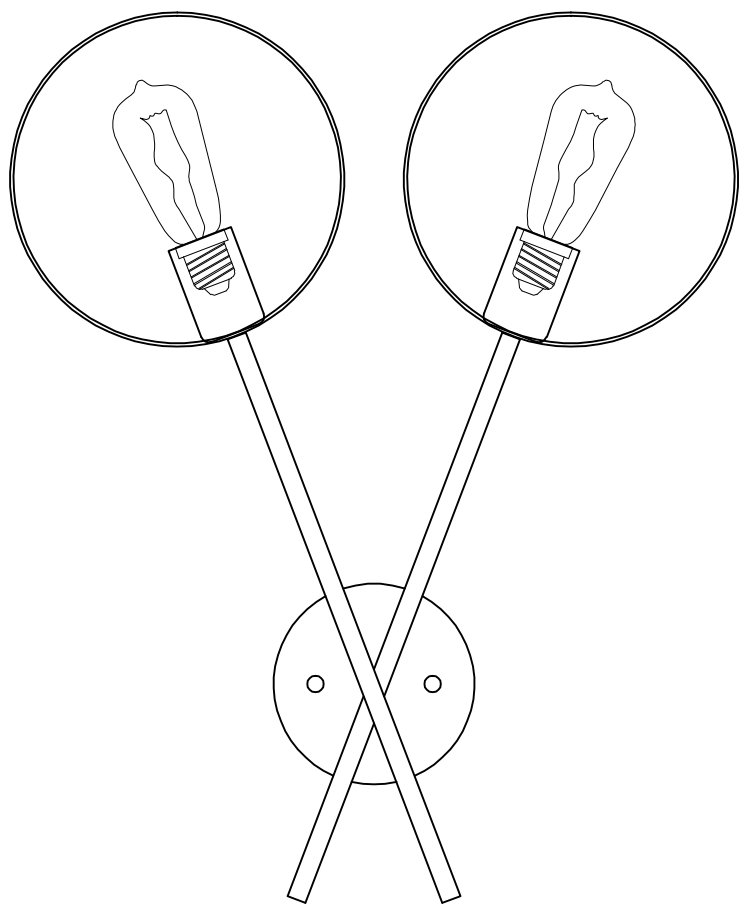
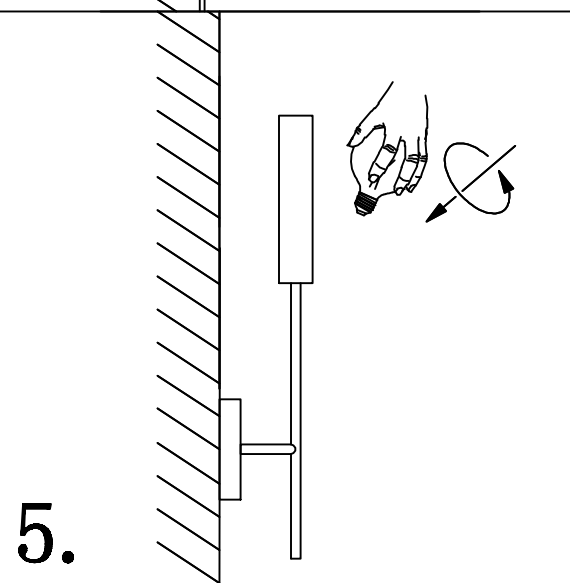
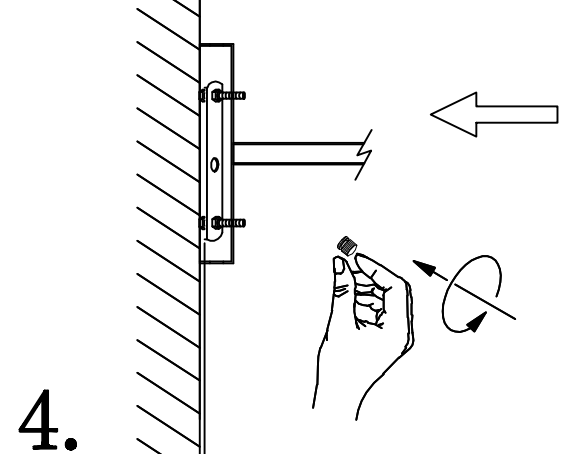
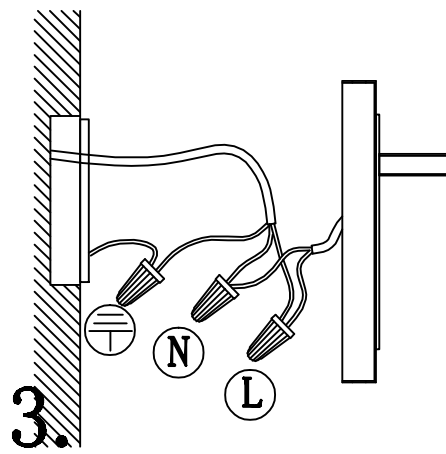
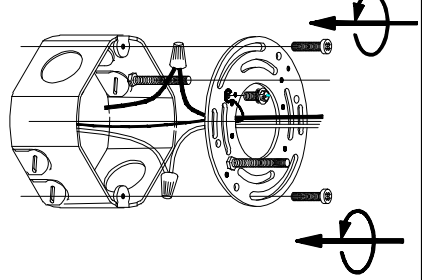
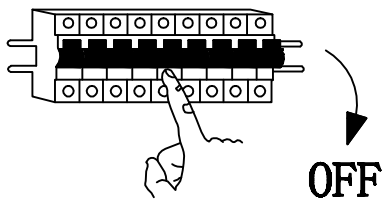


Installing Instructions



NOTE:

- 1: This lighting only can be use in room.
 - 2: Do not turn switch on before Assembly.
 - 3: If you want change bulb, please turn switch off, and after the bulb is cold.
- Voltage: 110V
Bulb: E26