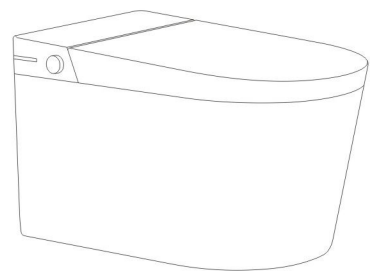


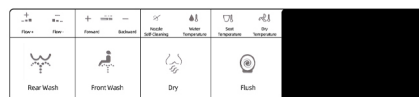
Integrated intelligent toilet Operation instructions

Before installing and using this product, please carefully read the product manual and keep it properly for future reference.

01/Packaging List



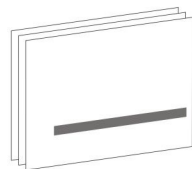
① Intelligent toilet



② Remote Control Assembly
(Including 1 bracket
and 2 No. 7 batteries)

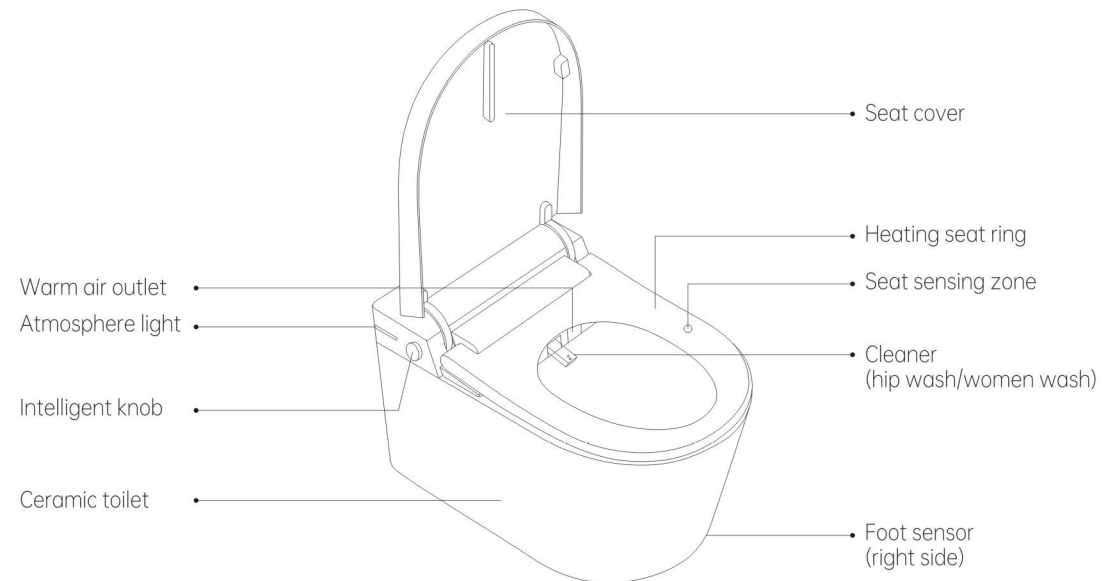


③ Foam agent
(Some models)



④ Instructions and other
printed materials

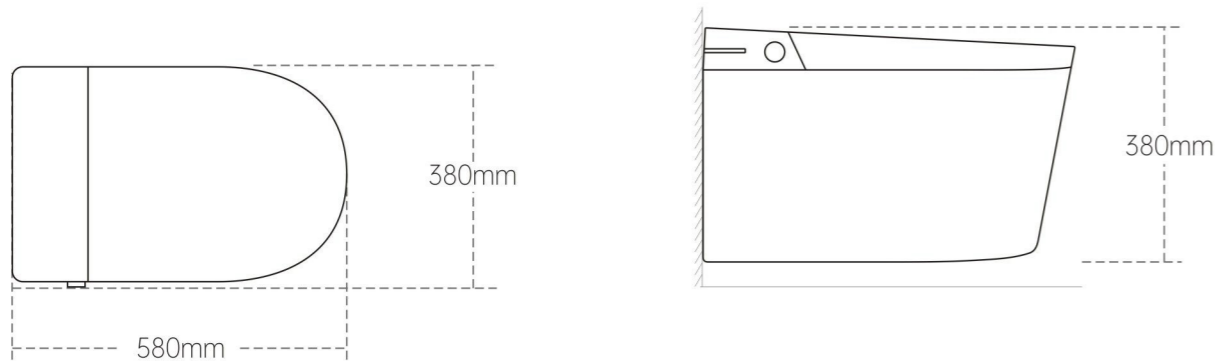
02/Component Introduction



03/Product Installation

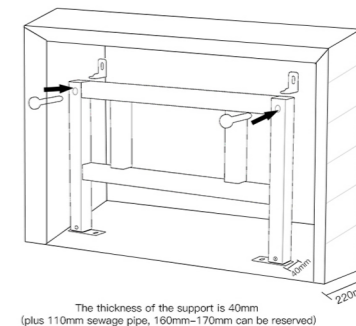
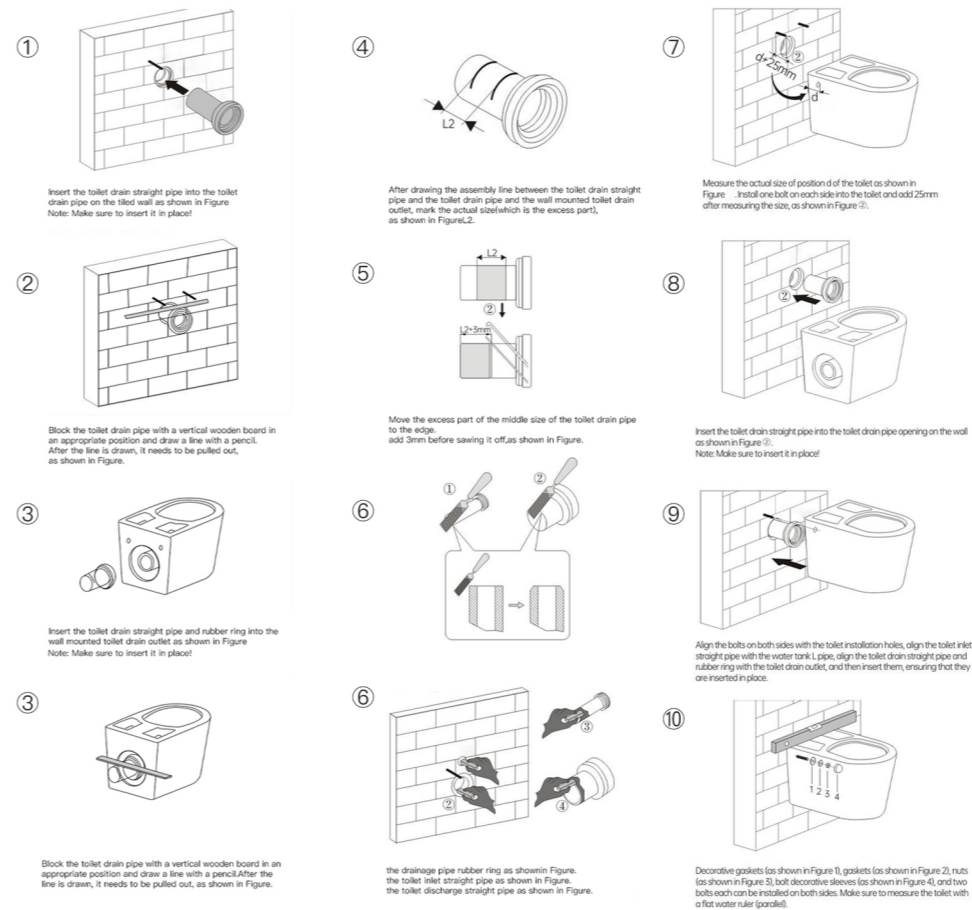
Confirmation of installation environment and specifications

1. Check if the distance between the sewage pipes and the flatness of the bathroom meet the installation requirements.
2. Check whether the water circuit, water supply pressure, and circuit system comply with the installation requirements.
3. In addition to ensuring the required space for installation, please pay attention to whether surrounding objects (doors, cabinets, etc.) interfere with the installation and functional use of the product (seat cover, seat ring opening and closing, etc.).
4. If there is a need to renovate waterways, circuits, etc., please seek professional assistance.

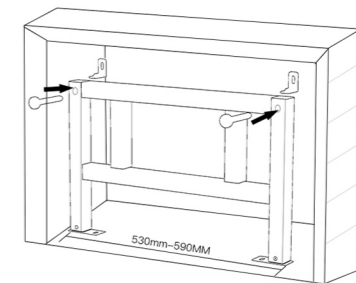


Reminder: The dimensions, accessories, user interface, etc. shown in this product are schematic diagrams for reference only. Due to product updates and upgrades, there may be slight differences between the actual product and the schematic diagram. Please prioritize the actual product.

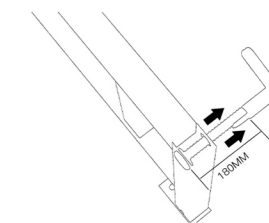
Wall mounted toilet installation (some models)



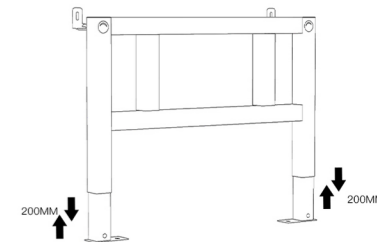
The thickness of the support is 40mm (plus 110mm sewage pipe, 160mm-170mm can be reserved)



The width of the support is 530mm, and the width can be reserved for about 590mm



Align the screws with the fixing frame
The toilet fixing screw lever is 180mm away



Loosen the screws and adjust the height of the frame

Toilet shall be installed 22 cm from tile finish

04/Safety precautions

·This product is a Class I appliance. For your life and property safety, please carefully read and follow the following precautions.

·To prevent the danger of arbitrarily resetting the fuse, this product seals the fuse; It is prohibited to use fuses that do not meet the product specifications.

·The symbols and illustrations are as follows:

Warning: Improper handling of the product may result in user death or serious injury.

Attention: Improper handling of the product may result in user injury or material harm.

Prohibited: indicates that it is not feasible or prohibited.

Compulsory: refers to mandatory compliance.

Grounding

·Confirm whether this product is reliably grounded.

·When the power supply is not grounded, it may cause faults such as leakage and electric shock.

·Please seek assistance from the electrical company or electrical operators for work grounding.

Prohibit

·Prohibition of disassembly: Non after-sales maintenance personnel or designated professional maintenance personnel of our company are prohibited from disassembling, repairing, or modifying this product.

Otherwise, it may cause fire, electric shock, and other unexpected situations.

·Do not splash water: Do not add water or detergent to or wet the product body or power plug.

Otherwise, it may cause fire, electric shock, and other unexpected situations.

·Prohibited ignition: Do not approach or put lit cigarettes or combustibles into the product.

May cause fire, electric shock, and other unexpected situations.

·Do not touch with wet hands: Do not touch or unplug the power plug with wet hands.

Otherwise, it may cause electric shock and other unexpected situations.

·Prohibit the use of faulty products, otherwise it may cause fire or electric shock, and indoor water seepage.

Please unplug the power and close the water valve to terminate the water supply in the following situations:

-When the main body or water pipe leaks

-When there are cracks or damages on the product

-When there is abnormal noise or odor

-When the product emits smoke

-When the product is abnormally hot

When the seat ring or cover plate is damaged, please stop using it to avoid dangerous situations.

Please be sure to unplug the power plug, turn off the water source, and contact the dealer or after-sales service center.

Otherwise, electric shock and fire may occur.

·It is prohibited to use water sources other than tap water or drinkable water.

Otherwise, it may cause cystitis, dermatitis, and electric shock and fire caused by internal corrosion of the machinery.

·Do not bend or flatten the connecting water pipe.

Otherwise, it may cause water leakage, reduced water pressure, or no water output.

·It is prohibited to disassemble the water pipe while the water stop valve is open.

Otherwise, it may cause splashing, spraying, or leakage.

·It is prohibited to use loose, shaking or other defective power sockets.

Otherwise, it may lead to dangerous situations such as fire or electric shock.

·It is prohibited to exceed the specified specifications of the power supply or socket, and only 220V AC power can be used.

Otherwise, it can easily cause fire and electric shock.

·It is prohibited to arbitrarily pull, damage, forcibly bend and twist, stretch, curl, bundle, bear weight, excessively pinch or damage the power plug and power cord.

Otherwise, damage to the power plug and power cord can lead to electric shock or fire.

·If the power cord is damaged, to avoid danger, maintenance and replacement must be carried out by the manufacturer, after-sales service personnel, or professional repair personnel.

Otherwise, it can easily cause fire and electric shock.

·Prohibit use in lightning weather (please unplug the power plug when lightning strikes nearby).

Otherwise, it may cause accidents or malfunctions.

·Do not pour urine into the warm air outlet.

Otherwise, there is a risk of electric shock.

·It is prohibited to put fingers or other objects into or block the heating outlet. Do not cover the heating air outlet when using the product.

Otherwise, it may cause burns, electric shock, or burning of accessories.

·Except for feces and toilet paper, it is prohibited to discard any debris inside the toilet.

Otherwise, it may cause toilet blockage, sewage discharge, or indoor water seepage.

·It is prohibited to place heavy objects on the toilet cover of the toilet, and do not hit this product. Broken products may cause personal injury, and broken toilets may cause problems such as room flooding.

Pay attention to

·Do not use the "high" or "medium" range of seat temperature, heating/air temperature for a long time.

Otherwise, prolonged use may pose a risk of burns.

·When using the cleaning and drying functions, please keep the seat in a seated state, that is, the skin is tightly pressed against the sensing area of the seat ring.

Otherwise, the product will stop cleaning or warm air drying function.

·Do not pour urine directly onto the product body or nozzle/cleaning tube.

Otherwise, dirt will be generated and cause blockage.

·Please use the new hose components that come with this machine. The old components cannot be reused. If other devices for connecting water sources are randomly equipped, please replace them together.

Otherwise, it is easy to cause water leakage and property damage.

·Please do not use in bathrooms that are too damp or easily submerged in water. Avoid spraying water on this product or rinsing it with water to prevent internal water ingress and damage.

Otherwise, it may cause electric shock and fire.

·When there is a sudden power outage, please unplug the power plug and close the corner valve to prevent water leakage.

Otherwise, it is easy to cause water leakage and property damage.

·Please avoid direct sunlight or heating equipment near this product.

Otherwise, it may cause discoloration of the product.

·To avoid danger caused by incorrect reset of the thermal circuit breaker, do not supply power through external switching devices, such as timers or connect to circuits that are timed on and off by common components.

·When not in use for a long time, please be sure to unplug the power plug, turn off the water source, and drain the accumulated water inside the product.

Otherwise, damage caused by frozen internal water accumulation can lead to fire and water leakage.

·In cold winter, when the product is transported or stored for a long time, the remaining water inside the product may freeze. To prevent damage caused by freezing, please take anti freezing measures.

Otherwise, damage caused by frozen internal water accumulation can lead to fire and water leakage.

·In the same room or area where this product is installed, a water stop valve needs to be installed within reach, which can be used in emergency situations to cut off the water inlet of this product without the need for tools.

Otherwise, unexpected malfunctions of this product may result in user losses.

·Please do not embed cementitious materials (such as cement mortar) in the base of the toilet to prevent it from cracking due to expansion.

·Regularly unplug the power plug and wipe the dust off the power plug with a dry cloth.

Otherwise, when the insulation is poor, it can cause a fire.

·When cleaning and maintaining the toilet, do not use unsuitable cleaning agents such as concentrated sulfuric acid, concentrated nitric acid, glacial acetic acid, carbon chloride, chloroform, acetone, butanone, benzene, toluene, phenol, cresol, dimethyl formamide, methyl ether, soybean oil, acetate, 40% nitric acid, concentrated hydrochloric acid, 95% alcohol, gasoline, kerosene, brake oil, etc.

Otherwise, it may cause cracking of the plastic part, or cause personal injury, electric shock, or fire.

·Do not lean back, stand on the cover plate, or roughly open or close the seat cover or seat ring to avoid damage.

Otherwise, it is easy to cause damage and personal injury.

·Please follow the following steps when using the battery.

Only batteries that comply with national regulations are allowed to be used. Improper use of batteries may invalidate safety protection and cause

Force

·Individuals (including children) with physical, sensory, intellectual disabilities or a lack of experience and common sense should use it under the guidance of an adult.

·Children should be supervised to ensure that they do not play with this device. Otherwise, it may cause personal injury.

·Please help the following groups turn off or lower the temperature range when using the insulation seat ring/heating and drying function:

Children, elderly people, and others who cannot adjust their own temperature appropriately;

A group of people whose bodies are not free and unable to react autonomously;

People who may fall asleep after taking sleeping pills, getting drunk, or experiencing excessive fatigue.

·When installing/replacing the filter screen and filter, it is necessary to tighten them and close the water supply pipeline and angle valve.

Otherwise, it can easily cause water leakage.

·When the product leaks, please close the water valve to stop the water supply.

·It is prohibited to use this product in environments below 0 °C.

Otherwise, freezing may cause damage to the water pipe or main body, resulting in leakage or malfunction.

Maintenance and cleaning

Pay attention to

This product is an electronic product, please be careful to prevent water from entering the interior of the product. Keep the sensing area of the seat ring clean and avoid objects such as seat rings wrapping around the sensing area of the seat ring.

Dirty or foreign objects sticking tightly to the sensing area may cause product operation errors or non operation.

Do not use cleaning agents to clean the filter screen, please clean it with clean water.

·Plastic appearance

Most of the exterior components of the toilet are made of plastic. To prevent plastic damage and scratches, please clean and maintain them as follows:

Usually, wipe with a soft cloth dipped in water.

If necessary, please wipe with a cloth dipped in some neutral kitchen cleaner before wiping with water.

After cleaning the ceramic part, wipe the remaining detergent on the plastic of the toilet with a soft cloth.

As it is an electrical product, to prevent water ingress, be sure to dry it with a soft cloth after cleaning.

·Clean the angle valve filter screen (recommended to be cleaned every 3 months)

① Close the toilet corner valve and stop the water supply.

② Use a coin or a flat screwdriver to insert into the slot of the front cover of the angle valve, and rotate counterclockwise to remove the water inlet filter screen.

③ After removing the filter screen, rinse off the attached dirt with water. Generally, small attachments can be removed with a toothbrush or other tools, while larger ones can be removed with a cotton swab or other tools.

④ Turn the filter back to the angle valve clockwise, please make sure to tighten it, otherwise it may cause water leakage.

·Clean the toilet washer

① In the off seat state, press the "self-cleaning" button on the remote control to extend the washer nozzle and start draining.

② Use a soft bristle brush or toothbrush to clean the surface of the washer and remove any dirt/scale from the nozzle.

(Self cleaning mode will automatically stop after 90 seconds of activation. You can click the "Stop" button to turn off this function in advance; do not forcefully push or pull the nozzle)

·Winter antifreeze (when the ambient temperature is below 4 °C)

When not in use for a long period of time such as business trips or outings, please empty the toilet to store water and avoid freezing and cracking.

① Close the water supply angle valve, press the flushing button on the remote control, start flushing, and empty the water tank.

② Enable self-cleaning function to drain residual water from the toilet.

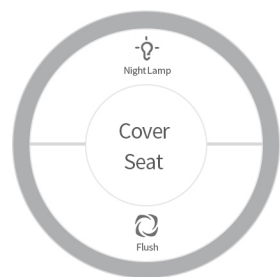
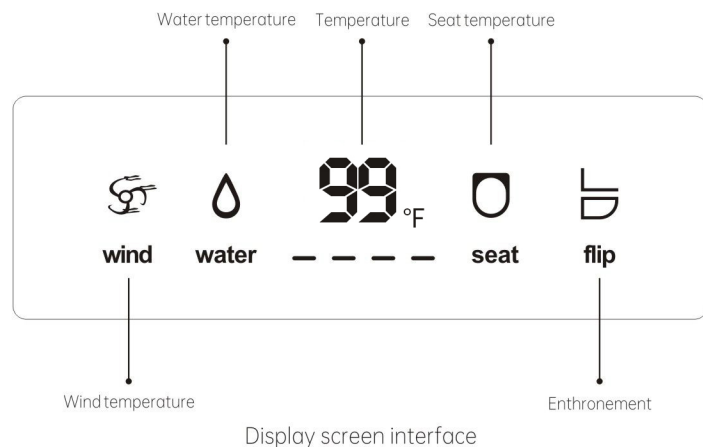
③ Loosen the water supply pipe on the corner valve and pour the accumulated water in the pipe.

④ Cut off the power supply to the toilet.

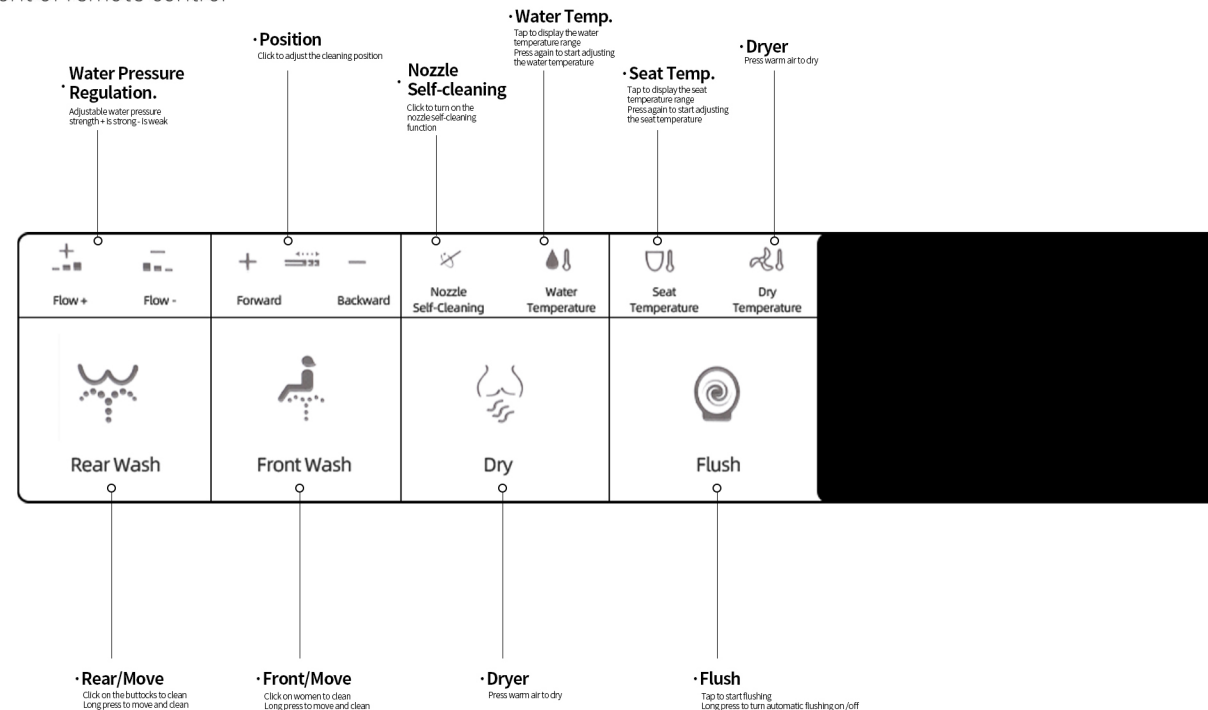
(Pulse type intelligent toilets require the water supply to be turned off near the end of flushing after starting flushing to drain.)

After storing the product in a low-temperature environment for a long time, if it is moved to a room with a higher temperature, the product should be left for 30 minutes until it naturally thaws before being connected to water and electricity to avoid internal failures of the appliance. If freezing occurs, making it impossible to flush or clean, a cloth soaked in hot water can be covered on the water supply hose of the toilet or the connection part of the water supply hose to thaw it.

(Do not pour hot water or blow hot air with high temperature onto the product body, water supply hose, and other objects).



MJ-T010G



Reminder: The functions such as "flip, flip, bubble toilet" can only be used on models that include their configuration functions.

Remote control code matching: After power on, wait for the buzzer to sound once. When the knob light is on, rotate the knob counterclockwise and pause for 2 seconds. The buzzer will sound a long time to enter code matching mode. At the same time, press any key on the remote control to successfully match the code.

Intelligent control knob



Flush/Stop

Hold the seat and press the knob for warm air drying.
Long press the knob without a seat to execute the shutdown.

Front/Move

Rotate counterclockwise to perform female cleaning; Rotate again to execute the mobile cleaning function; Rotate the knob again to stop moving for cleaning.

Rear/Move

Rotate clockwise to perform hip cleaning; Rotate again to execute the mobile cleaning function; Rotate the knob again to stop moving for cleaning.

06/Technical parameters

Name (model)	Intelligent toilet (953)	
Rated voltage	220V	
Rated frequency	50Hz	
Rated power	1200W	
Power cord length	1.5 meters	
Flushing method	Jet siphon type	
Cleaning device	Buttock washing	The cleaning water volume is about 0.62L/min
	Women's washing	The cleaning water volume is about 0.67L/min
	Water temperature	Normal temperature - about 34 °C - about 37 °C - about 40 °C (4-speed adjustment)
	Maximum power of warm water heater	1200W
	Installation device	Temperature fuse, temperature controller, temperature sensor
Insulation seat ring	Surface temperature	Normal temperature - about 35°C - about 40°C - about 50°C (4-speed adjustment)
	Seat ring heater	45W
	Safety devices	Temperature fuse, temperature controller, temperature sensor
Dry	Warm air temperature	Normal temperature - about 35 °C - about 45 °C - about 55 °C (4-speed adjustment)
	Heating heater	270W
	Safety devices	Temperature fuse, bimetallic thermostat
Water supply pressure	There is no such restriction for the water tank entering the wall	
Waterproof grade	IPX4	
Water supply temperature	5-35°C	
ambient temperature	0-40°C	
Product size	570mm*365mm*380mm	
Product weight	43kg	
Executive standards	GB 4706.1-2005 GB4706.53-2008 GB/T 6952-2015 GB 38448-2019	
Note: When using water pressure below 0.2MPa, it is recommended that users install a booster pump, otherwise it may affect your normal use.		

07/Function Introduction

Classification	Function	Function Description
Basic functions	Hip cleaning	Clean buttocks function, enable this function, and the toilet will automatically perform procedures such as buttocks cleaning and drying.
	Female cleaning	The female cleaning function enables the toilet to automatically perform female cleaning, drying, and other work procedures.
	Warm air drying	Accelerate the evaporation of water droplets with warm air, making the buttocks dry and comfortable.
Comfort function	Water pressure regulation	Adjust the water pressure of the water spray during cleaning to adapt to users with different sensitivities.
	Position adjustment	Adjust the front and rear positions of the nozzle during cleaning to accommodate users with different sitting positions.
	Temperature regulation	The water temperature for cleaning, the seat temperature of the seat ring, and the air temperature for drying can be adjusted.
	Mobile cleaning	During cleaning, the water column moves back and forth for a wider range of cleaning.
	Cover Mute	Using a damping device to ensure smooth and low noise closure of the coil and cover.
Humanized functions	Comfortable night light	Soft lighting night lights, guarding the toilet at night.
	Automatic flushing	Automatic flushing is performed after the person leaves the seat.
	Foot sensation flushing	After urinating, a man flushes water by triggering a foot sensing device.
Safety functions	Anti overheating	By utilizing multiple protections such as software intelligent regulation, temperature sensors, and temperature fuses, it is possible to prevent situations such as high temperature burns.
	Anti electric shock	Install leakage protection devices to prevent the occurrence of electric shock accidents.
Cleaning function	Spray nozzle self-cleaning	Automatically clean the nozzle before and after each cleaning.
		The nozzle will extend out, making it convenient for users to manually clean the nozzle.
Green function	The water temperature is immediately hot	During cleaning, the toilet instantly heats the cleaning water supply, saving energy and maintaining a constant temperature.
	Energy saving mode	Low power consumption mode, intelligent power saving.
High configuration features (some models)	Automatic flip	Set the human body sensor to automatically perform the flip action when approaching the sensing range.
	Automatic loop flipping	When triggering foot sensation, perform a loop turning motion, and men do not need to manually lift the seat cushion when urinating.
Flagship functions (some models)	Bubble splash prevention	Generate a layer of bubbles that adhere to the water surface, providing anti splashing, deodorization, anti sticking, and antibacterial effects.
	UV sterilization spray rod	Close the cover and automatically activate the sterilization mode, using ultraviolet radiation to clean the nozzle.
Turn on and press water temperature, Freely switch degrees Fahrenheit, degrees Celsius		

Function	Description and adjustment method
Enthronement	The hip washing, women washing, and drying functions can only be used normally while sitting.
Thermostatic seat ring	Press the "Seat Temperature" button to cycle and adjust the seat temperature from low to high. Please choose the appropriate seat temperature for use to prevent low-temperature burns.
	When the seat temperature is in the first gear, the seat ring is not heated. When the seat temperature is in the second or higher gear, the higher the gear, the higher the seat temperature.
Clean	Rotate the knob or remote control "Hip Wash" or "Women Wash" button to clean. Each cleaning time is approximately 120 seconds.
	During the cleaning process, pressing the current cleaning mode again can turn on or off mobile cleaning;
	Press the "+" or "-" button to adjust the cleaning water pressure; Press "Spray rod forward" or "Spray rod backward" to adjust the cleaning position;
	Press the "Water Temperature" button to cycle and adjust the water temperature from low to high. Please choose a suitable water temperature for use to prevent low-temperature burns.
	When the water temperature is in the first gear, cleaning does not require heating. When the water temperature is in the second or higher gear, the higher the gear, the higher the water temperature.
Dry	Start the warm air drying by pressing the knob or pressing the remote control "drying" button. Each drying time is approximately 180 seconds.
	Press the "Air Temperature" button to cycle and adjust the air temperature from low to high. Please choose a suitable air temperature to prevent low-temperature burns.
	When the wind temperature is in the first gear, the wind temperature is not heated. When the wind temperature is in the second or higher gear, the higher the gear, the higher the wind temperature.
Stop it	During the cleaning or drying process, press the knob or remote control "Stop" button to exit the current cleaning or drying process.
Foot induction	Foot induction activation method: Close to the infrared sensor to trigger the toilet to work.
	In the basic style, the device is activated for flushing in the off seat state.
	In high configuration styles, the device is activated for flipping, flushing, and closing.
	· In the closed state of the seat ring, trigger foot sensing to flip the cover and circle.
	· In the open state of the seat ring, trigger foot sensing, close the ring and cover, and initiate a flushing.
Automatic flushing	Sitting for more than 3 seconds, about 1 second after leaving the seat, the toilet will automatically start flushing once.
	Long press and hold the "Flush" button on the remote control for 5 seconds to turn on/off the intelligent flushing system. After turning off, the toilet stops all automatic flushing functions.
Flushing method	Flushing methods: automatic flushing, manual flushing, remote flushing, and foot feeling flushing.
	Manual flushing: Press the knob to flush once.
	Remote flushing: Press the "flushing" button on the remote control to perform a flushing.
	Automatic flushing: Refer to "Automatic flushing" above.
	Foot sensation flushing: refer to the chapter on foot sensation
	Power off flushing function: When the toilet is powered off, press the side knob to flush once.
	Attention: If the power outage and flushing are abnormal, please check the battery level or replace the backup battery in a timely manner.

Function	Description and adjustment method
Automatic flip closure	When the seat cover is in a closed state and the human body enters the sensing range of the toilet, the seat cover will automatically flip up.
	After leaving the seat, if the human body leaves the sensing range of the toilet for about 60 seconds, the seat cover will automatically close.
	Long press the remote control "flip" function to turn on or off the intelligent flip system. If the human body approaches the toilet, the seat cover will no longer be opened and will be closed.
	Note: This feature is only available on high configuration models.
Energy saving mode	In energy-saving mode, the toilet enters low-power mode.
	Start the energy-saving mode, set the seat temperature range to the second or higher gear, and the seat ring will automatically maintain at 25 °C. After seating, the heating will resume.
	Long press the remote control "energy-saving" button to turn on or off the energy-saving function.
Lighting function	The body is equipped with a low light level lamp, making it convenient to use the toilet at night.
	Press the "Lighting" button on the remote control to turn on or off the lighting function.
Standby	Press and hold the "Stop" button on the remote control for 3 seconds, and the toilet will enter standby mode. All functions will stop working.
	Press and hold the "Stop" button on the remote control again for 3 seconds, and the toilet will return to its normal working state.

08/Malfunction diagnosis

When the product is abnormal, please try the following handling methods to eliminate and solve the problem. If the problem still cannot be solved, please contact the sales unit or after-sales service center.

Product Functions	Phenomenon	Inspection items	Exclusion method
Organism	Not working at all	Whether to turn on the power	Turn on the power
		Whether the power plug is properly plugged	Re plug the power plug
		Power failure or not	Recheck after power supply is restored
Hip wash Women wash	No water from the nozzle	Whether the landing sensing area is sensing	Adjust the seating position to ensure that the seat ring sensor detects the human body
		Whether the water supply angle valve is open	Check the water supply of angle valve
		Whether water supply is stopped	To be used again after water supply is restored
		Whether the nozzle is blocked by foreign matters	Clean the foreign matters in the nozzle and dredge the nozzle
	Low cleaning water pressure	Whether the water pressure gear is in the weak gear	Reset the water pressure
		Whether the water inlet channel is smooth	Clean the angle valve filter
	Cut off water halfway	Whether the inductor senses	Adjust the seating position to ensure that the seat ring sensor detects the human body
		Whether the cleaning function stops automatically	Restart the cleaning function
		Whether water supply is stopped	Recheck after water supply is restored
	water temperature is low	Is the water temperature gear at the lowest gear	Press the remote control 「water temperature」 button to adjust the water temperature
Warm air drying	Low wind temperature	Whether the wind temperature gear is at the lowest gear	Press the remote control 「air temperature」 button to adjust the air temperature
	Midway stop	Whether the inductor senses	Adjust the seating and confirm that the sensor senses that the human body is seated
		Whether the drying function stops automatically	Restart the drying function
Seat ring heating	Low race temperature	Whether the inductor senses	Adjust the seating and confirm that the sensor senses that the human body is seated
		Is the seat temperature gear at the lowest gear	Press the remote control 「seat temperature」 button to adjust the seat temperature
Automatic flushing	Washed not clean	Whether the flushing pipe is bent to	Adjust water pipe position
		Whether there are foreign matters blocking the blowdown pipe	Dredging toilet/sewage pipe
	No flushing when leaving the seat	Whether to turn off automatic flushing	Enable automatic flushing function
Remote control	Remote control doesn't respond	Low Battery	Replace the battery
		Whether there is water ingress/soaking	Wipe off the moisture/try again after drying

Warning: Do not disassemble, repair or modify the product without permission except for professional maintenance personnel

Maintenance regulations

1. During the warranty period, after-sales service personnel can enjoy free maintenance service after troubleshooting.

2. If you need to maintain the product due to failure during the warranty period, please contact the sales unit or after-sales service center, and show the warranty card during maintenance.

3. During the warranty period, maintenance costs (material and labor costs) shall be charged according to the circumstances below:

- Failures or damages caused by failure to follow the instructions and precautions;
- Failure or damage caused by fire, earthquake, flood, lightning and other force majeure;
- Failure or damage caused by transportation, handling, extrusion, etc;
- Failure or damage caused by using non specified power supply (voltage, frequency);
- It is used for purposes beyond the normal use range, and the fault or damage occurs;
- Failure to provide purchase records or to show this warranty card;
- The warranty card is not filled in or the contents are modified without authorization.

4. This warranty card is only valid in the People's Republic of China.

5. This warranty card will no longer be issued. Please keep it properly.

WARRANTY CARD

Dear user:

Thank you for choosing our sanitary products. In order to ensure that we can provide you with quality services, please fill in this card carefully and keep it properly.

User Name		Contact number	
Detailed address			
Product model			
Bar code			
Purchase date			
Sales unit			
Maintenance Date		Maintenance unit	
Maintenance items			
Maintenance Date		Maintenance unit	
Maintenance items			
Maintenance Date		Maintenance unit	
Maintenance items			
Maintenance Date		Maintenance unit	
Maintenance items			