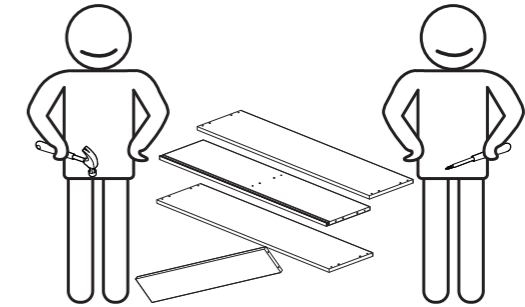
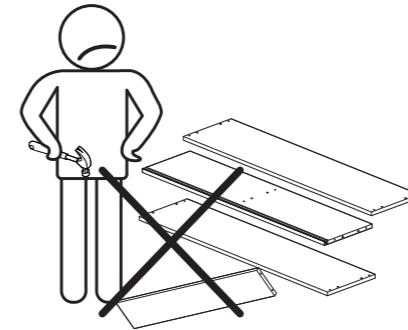
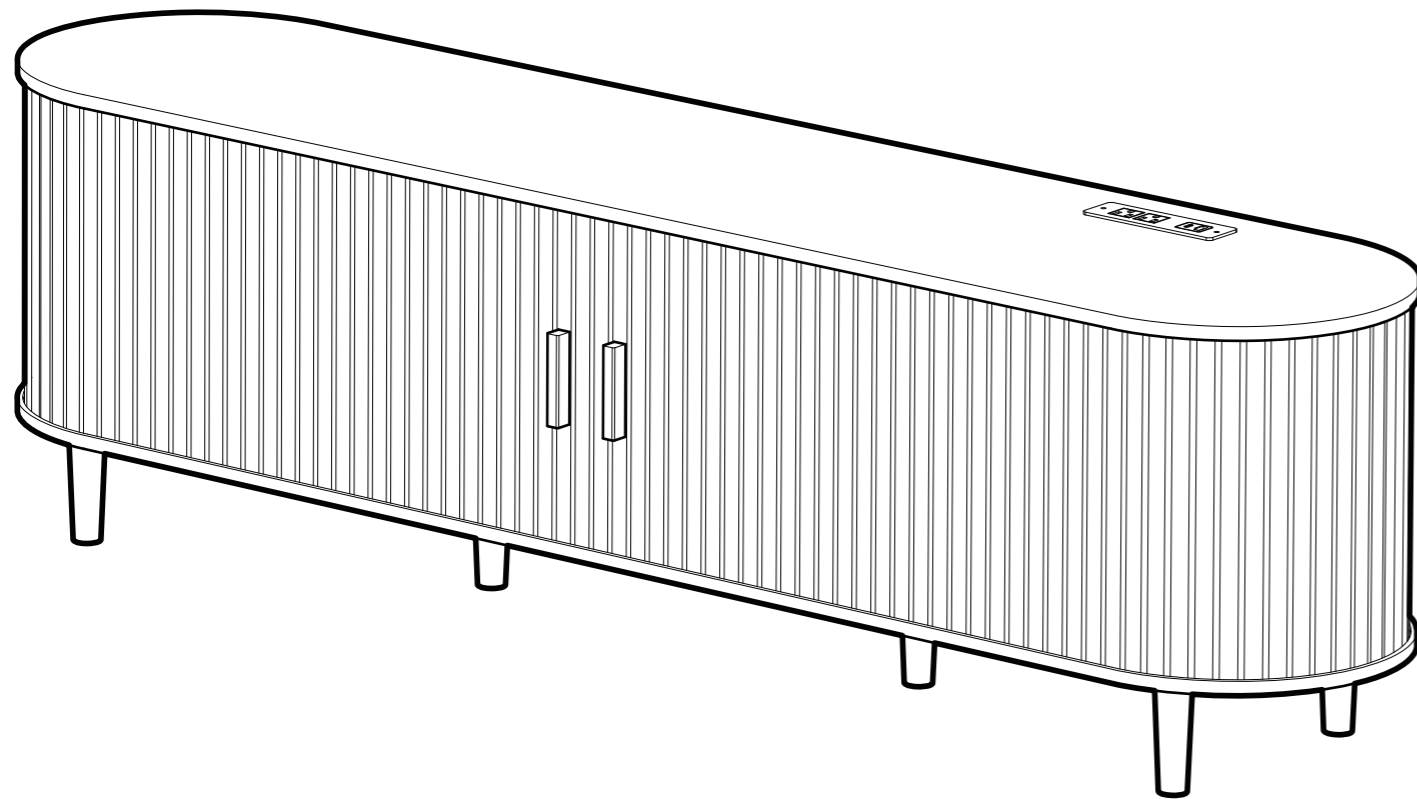
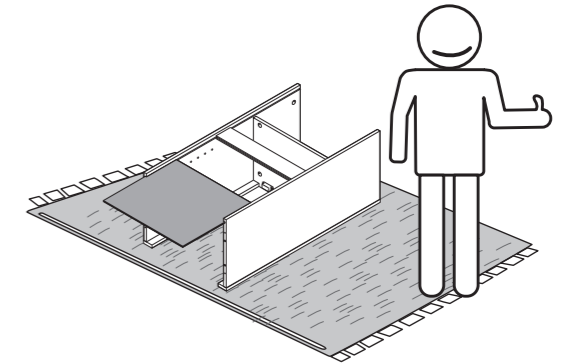
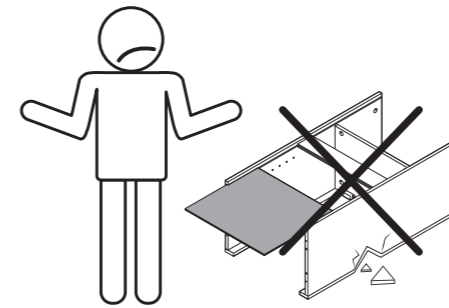


TV STAND

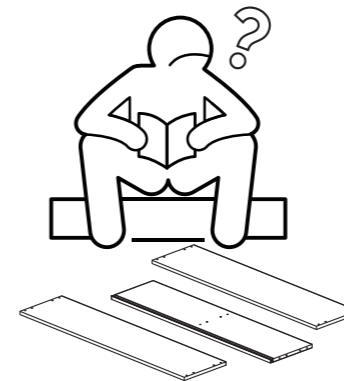
ASSEMBLY INSTRUCTIONS



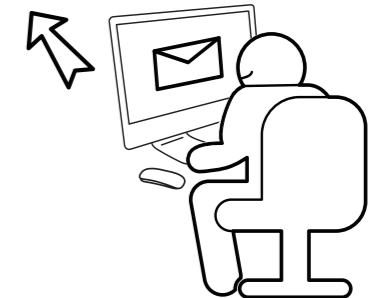
We recommend at least 2 people for the assembly.



To prevent any damage during assembly, place a mat under the pieces.



support@servicetimely.com

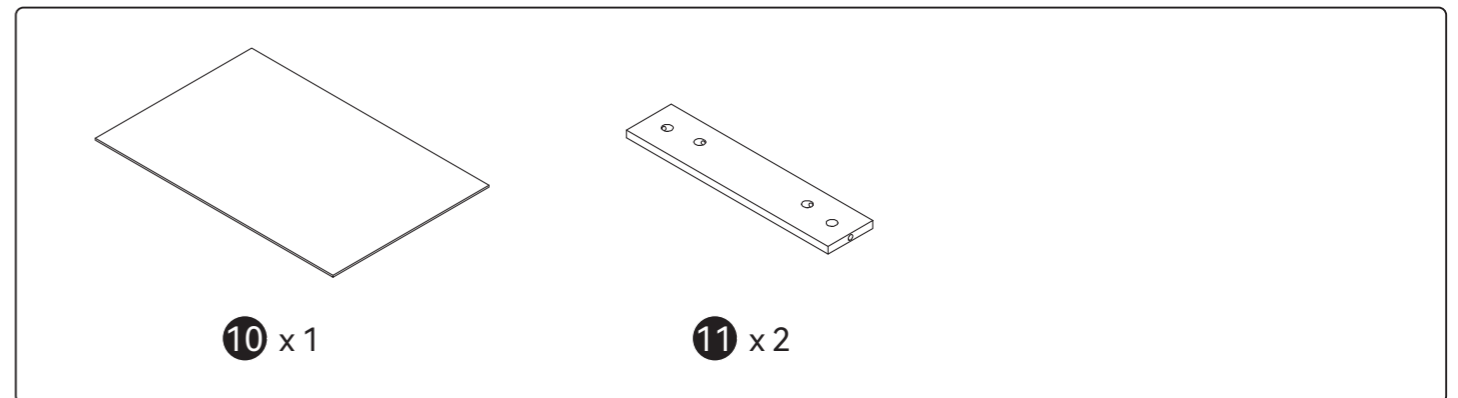
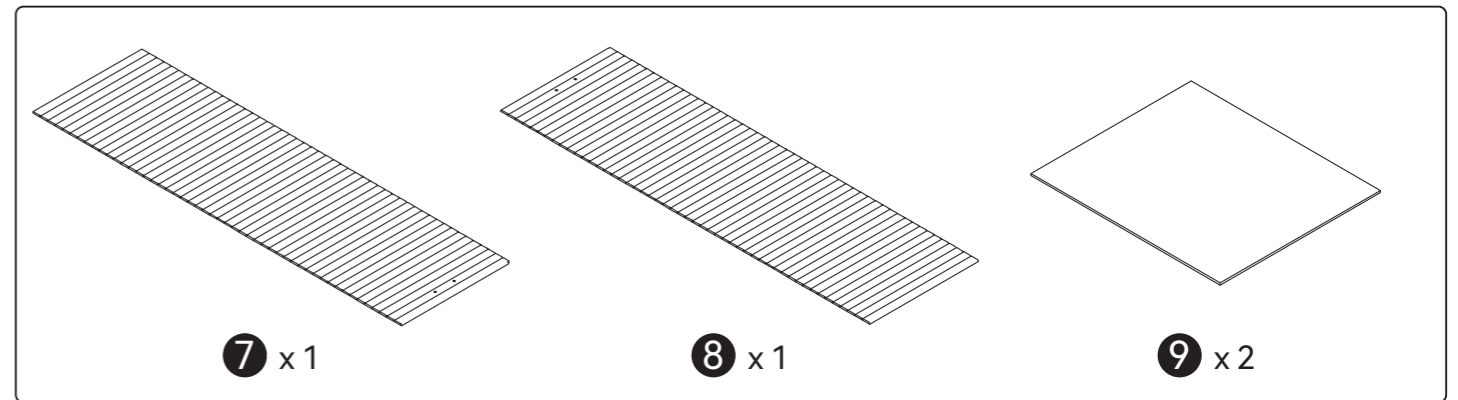
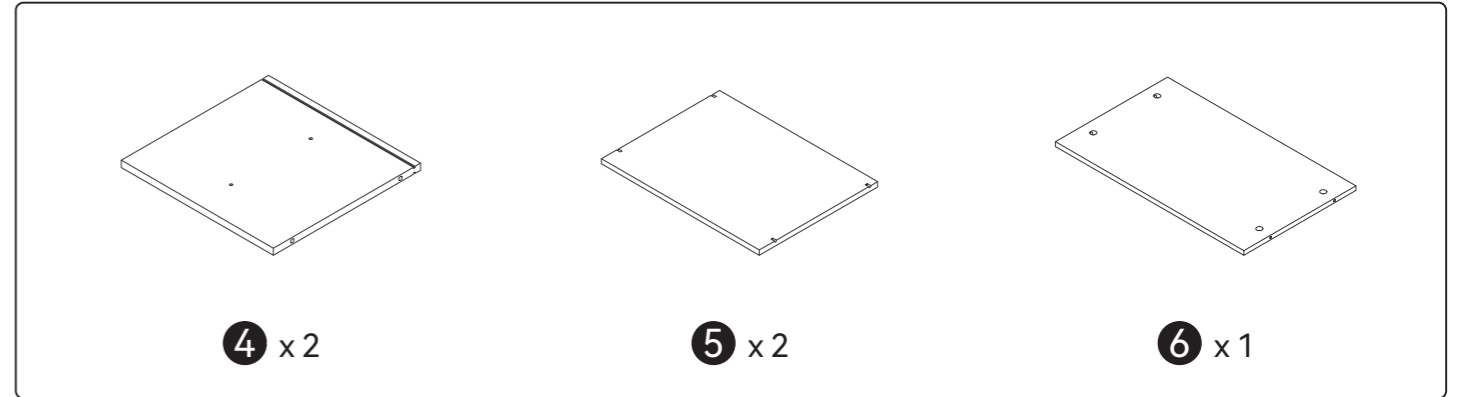
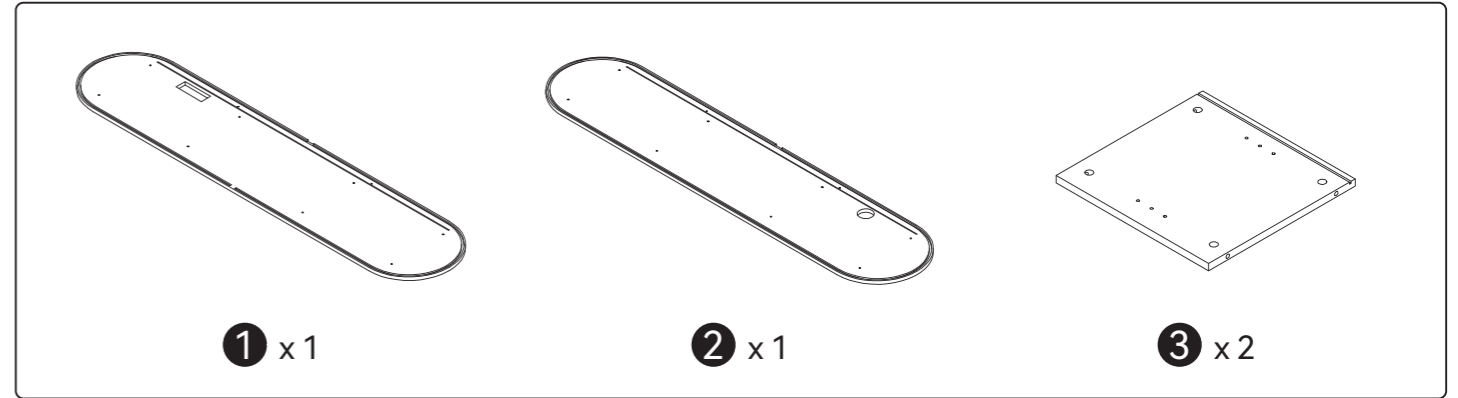
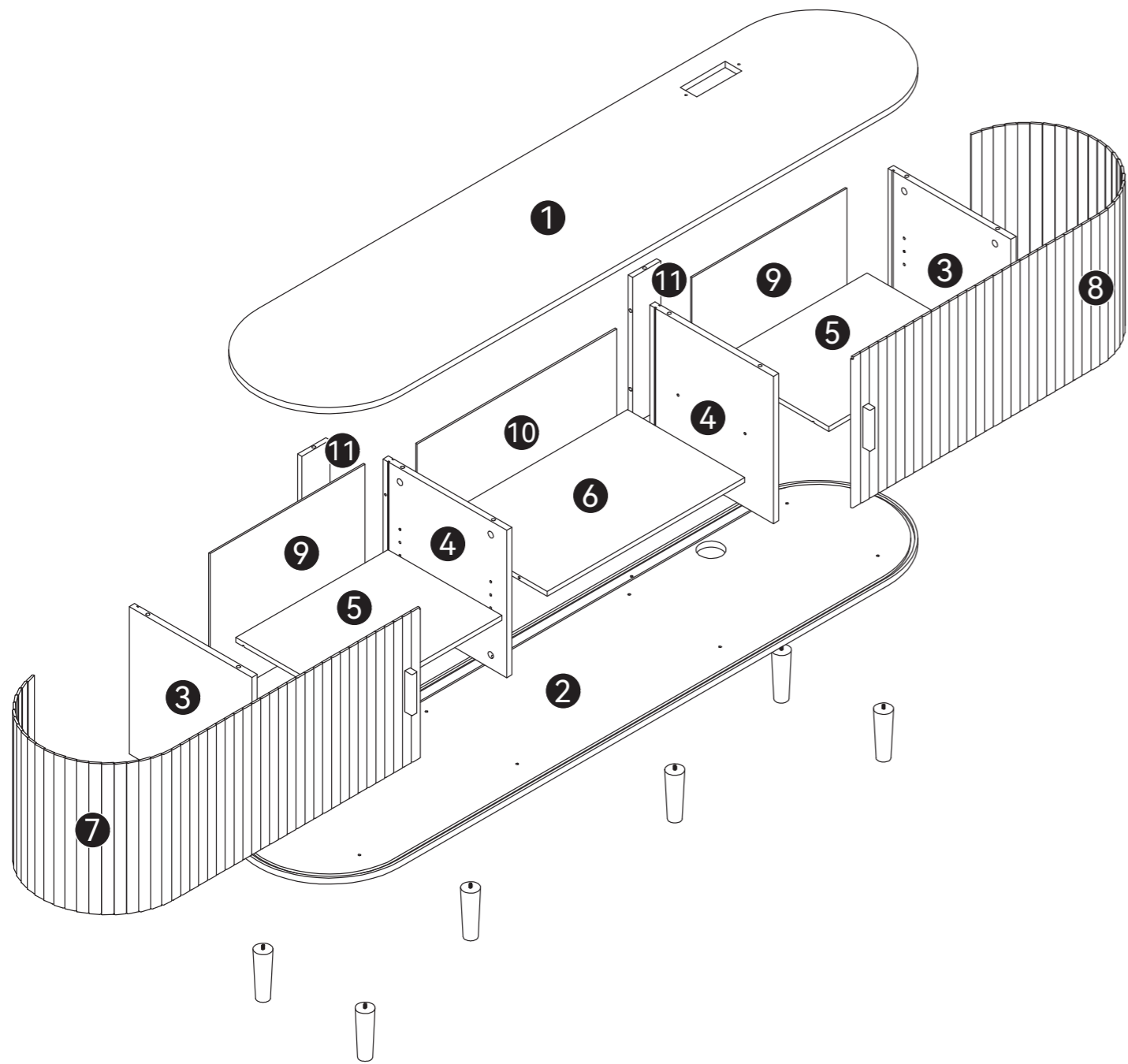


Any questions concerning assembly, contact us via email: support@servicetimely.com

PARTS DIAGRAM




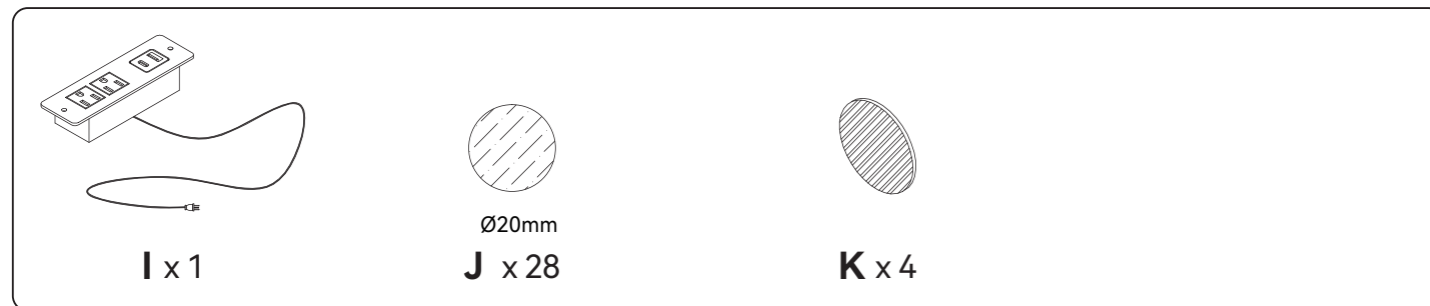
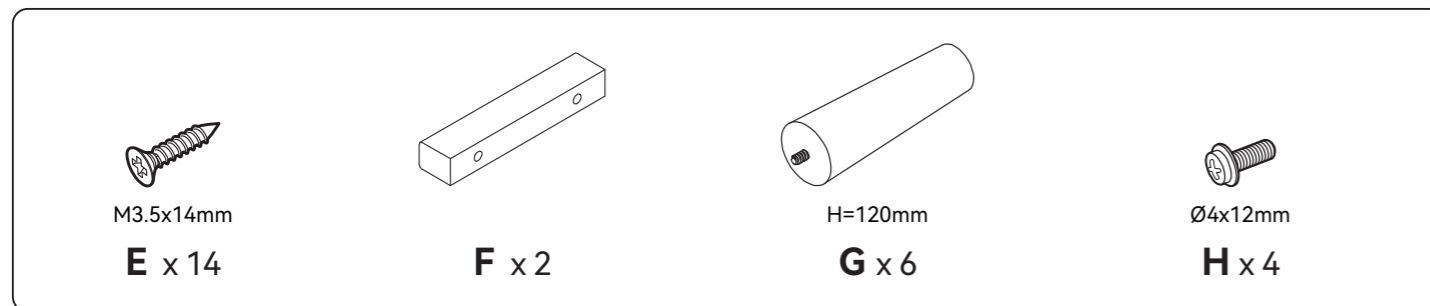
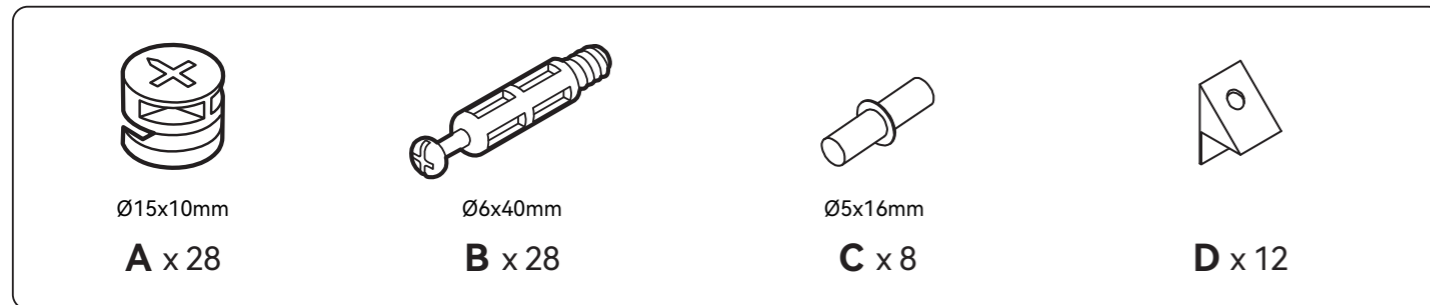
Check if all parts and hardwares are included. Contact us if there is any part missing or damaged.




HARDWARES

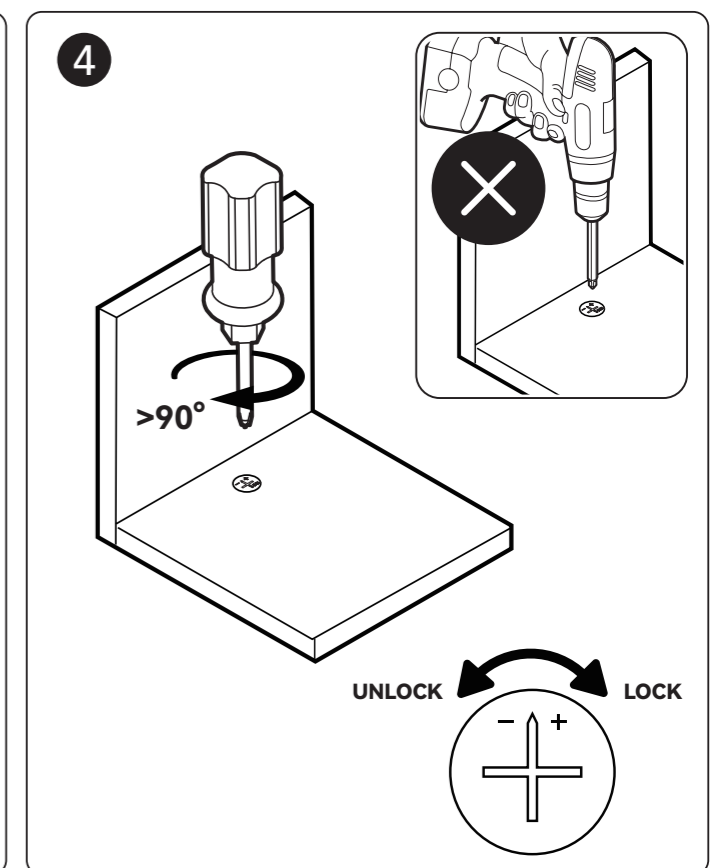
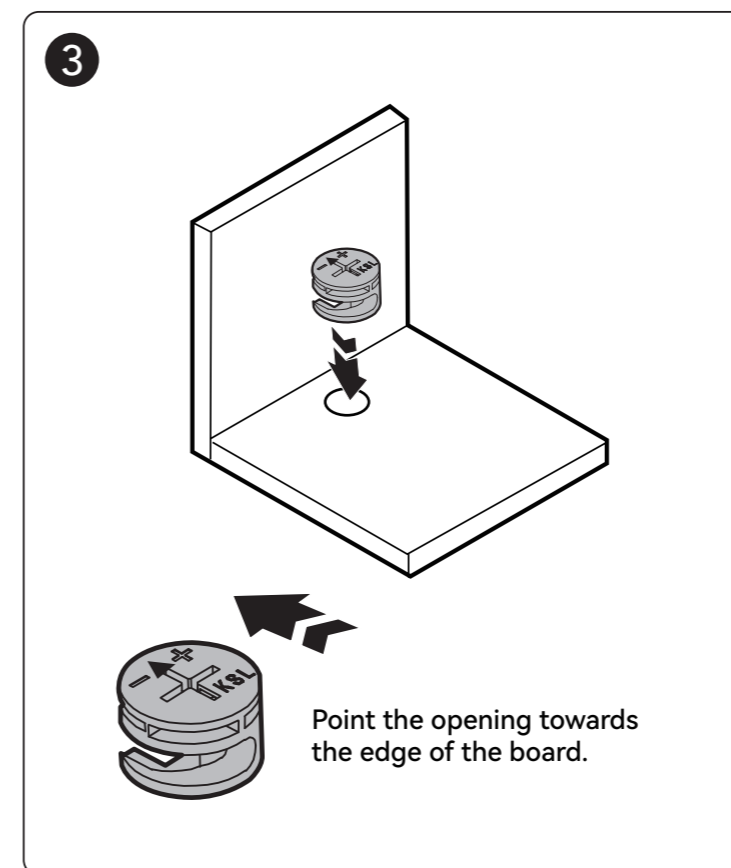
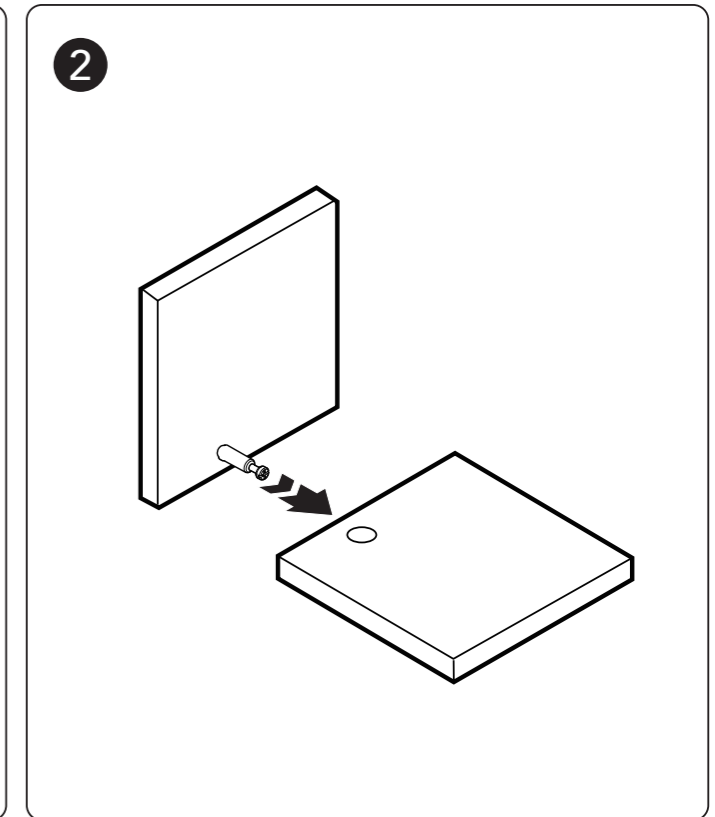
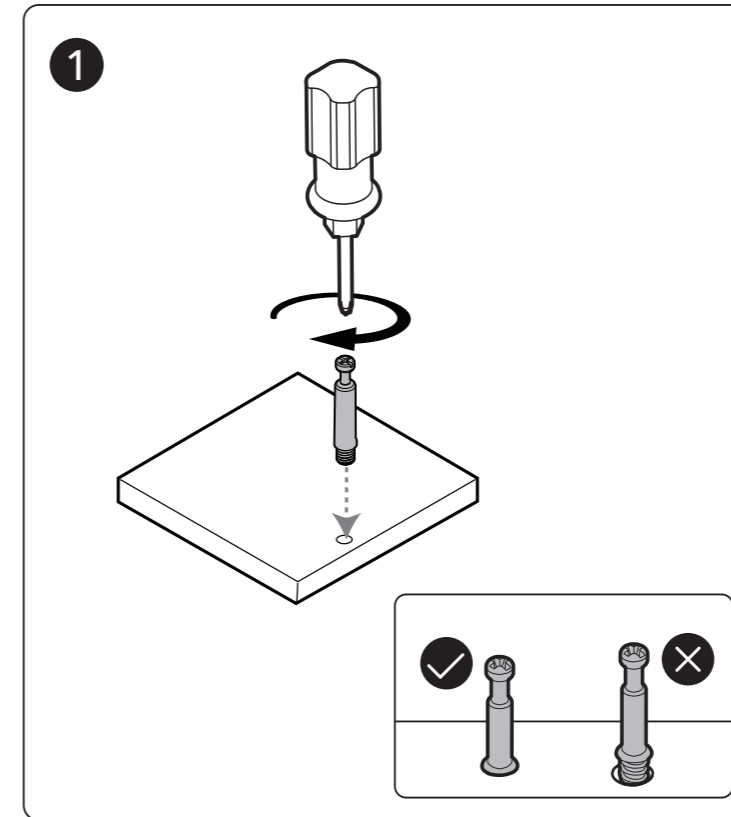
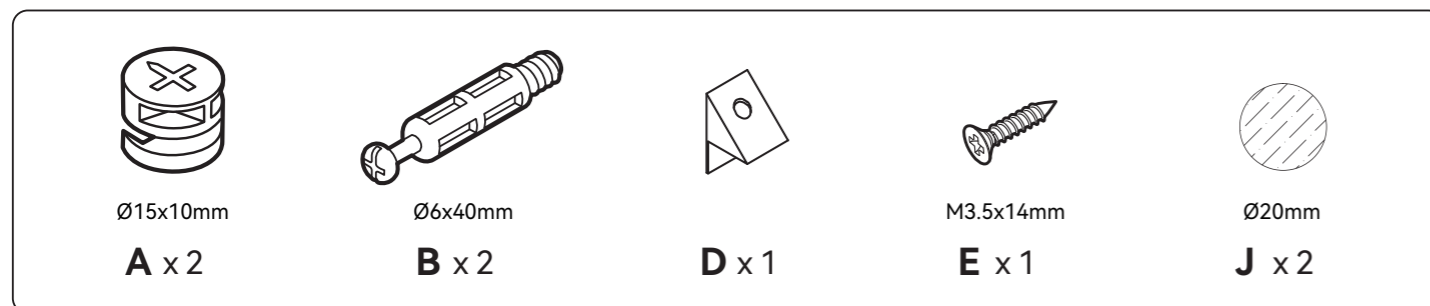
CAM LOCK FASTEN SYSTEM

 Insert the cam bolt into the hole, then insert the cam lock and tighten.



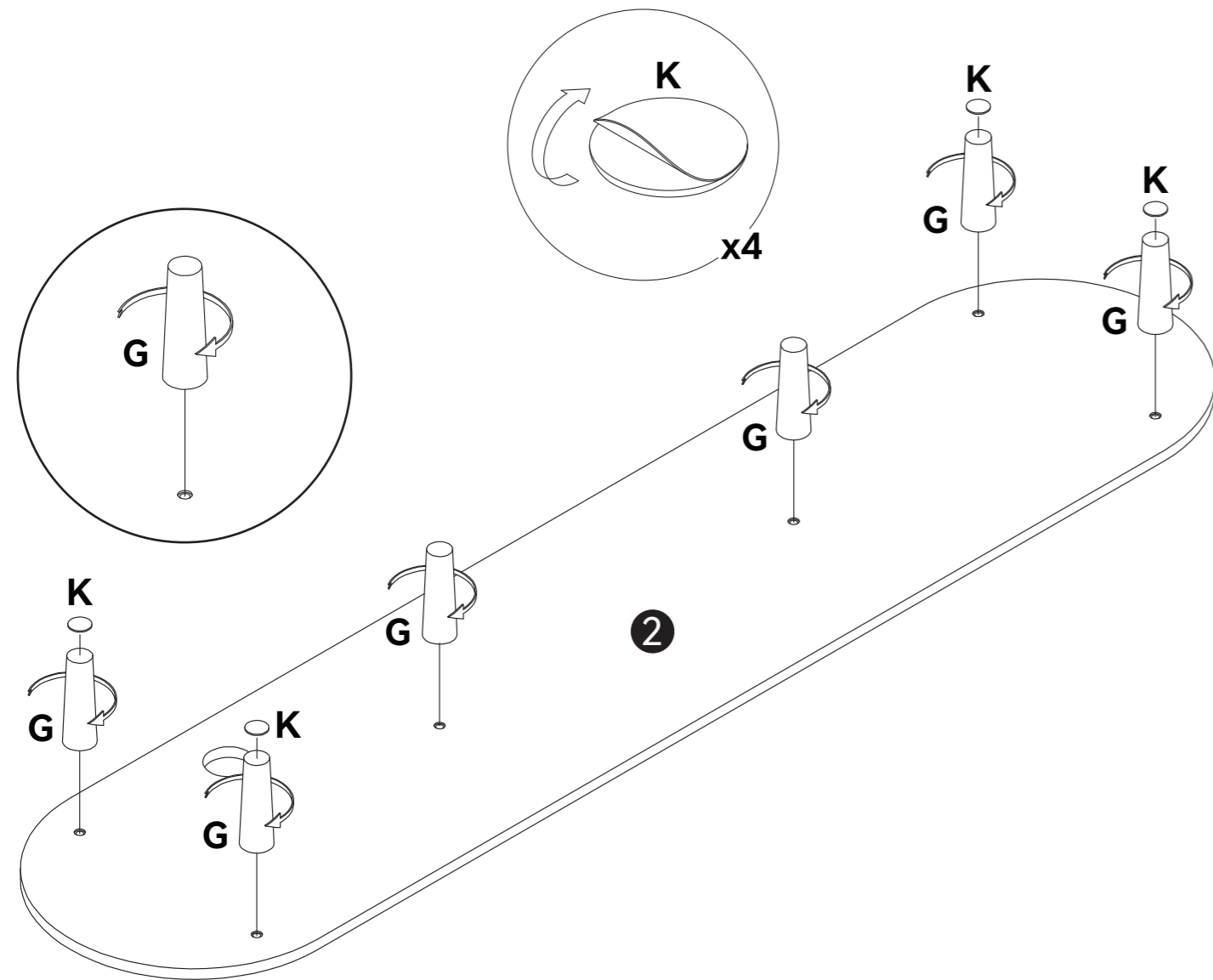
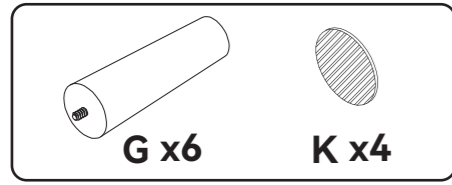
SPARE PARTS

 The spare parts are the additional parts provided in case of missing or damaged ones. Keep the spare parts and tools for future use.

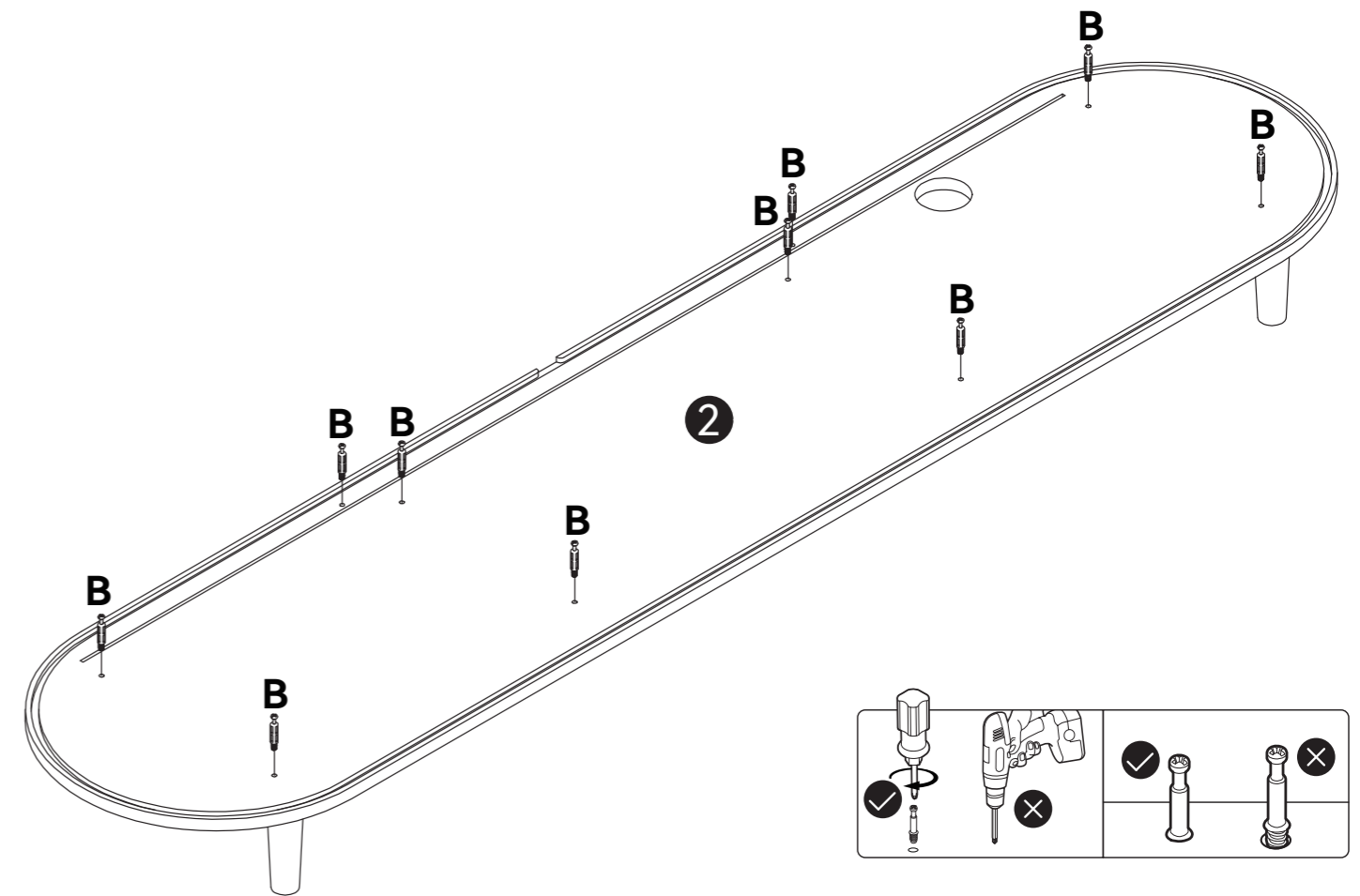
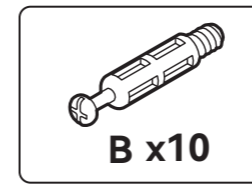


ASSEMBLY

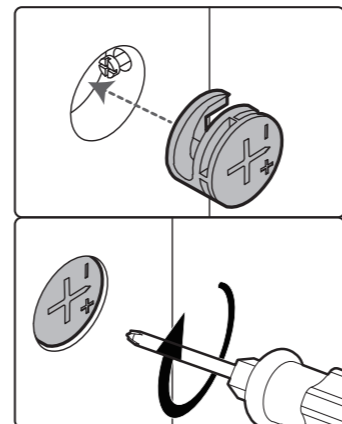
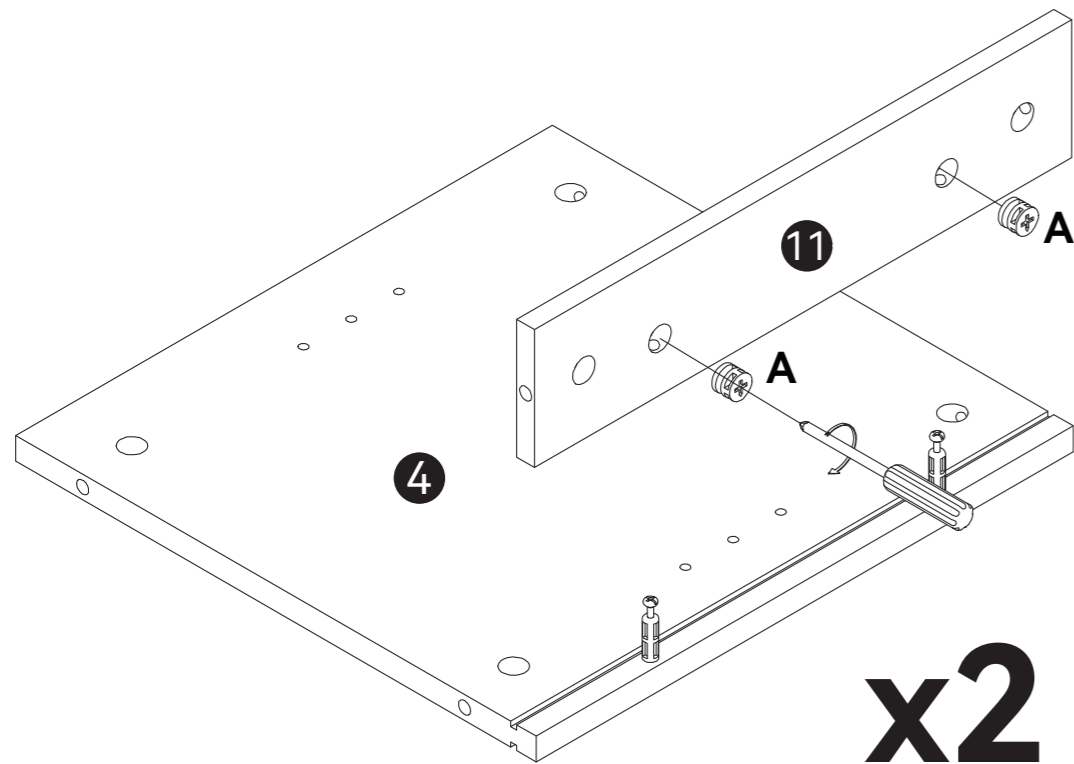
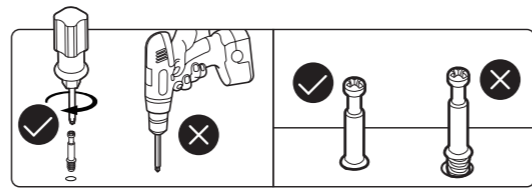
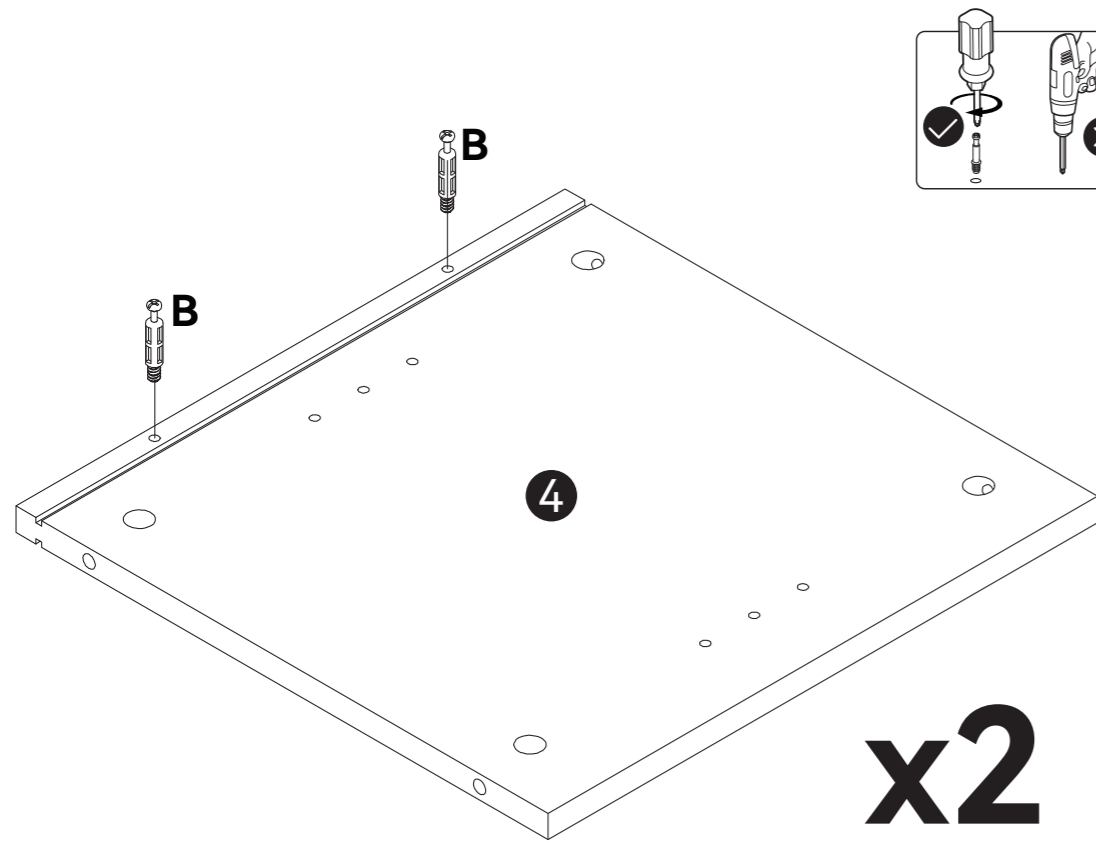
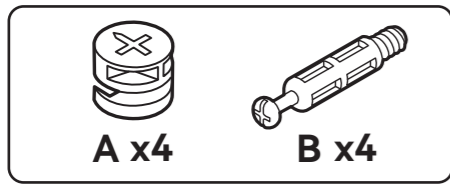
1



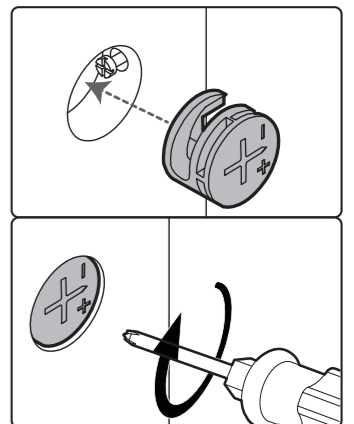
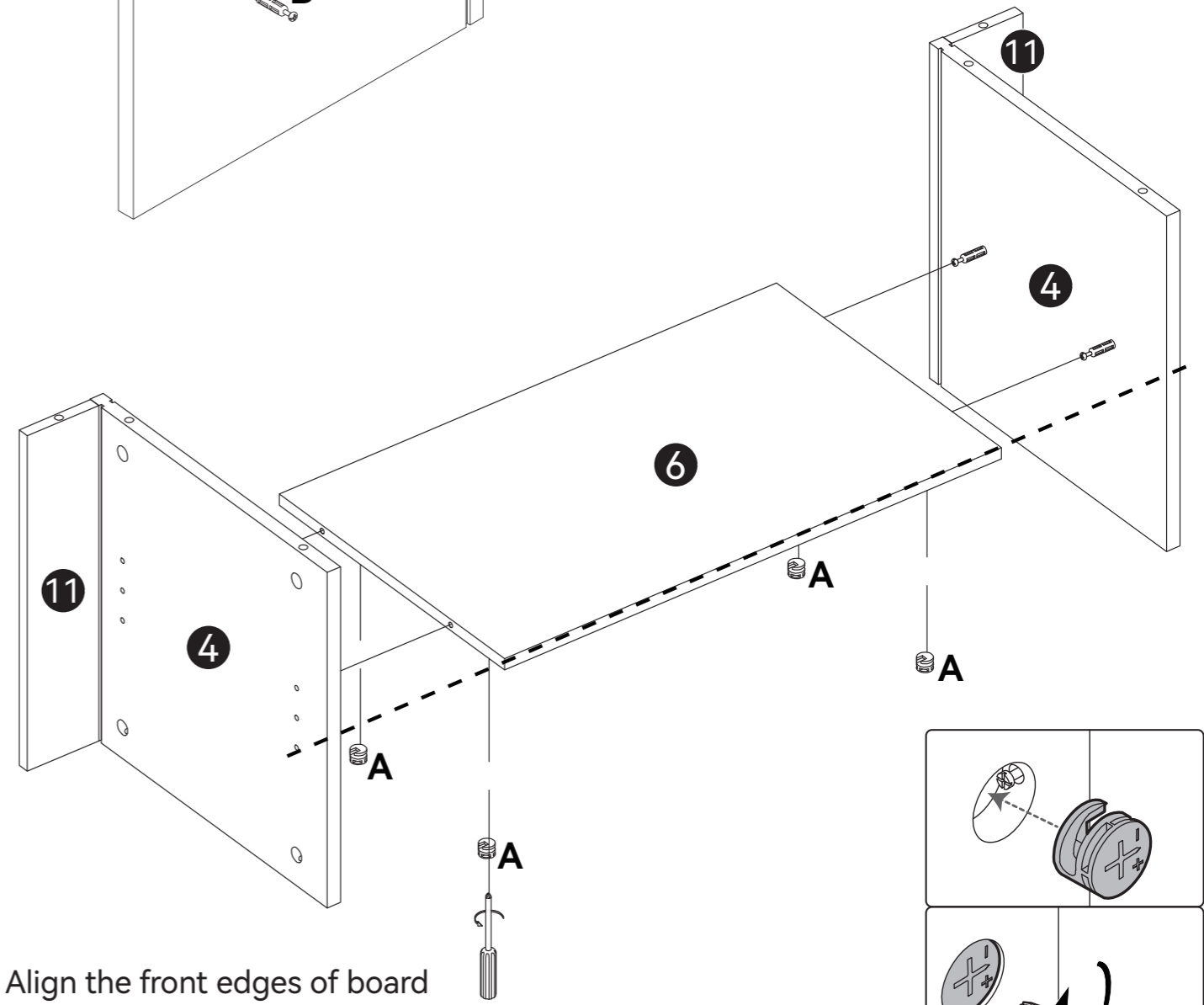
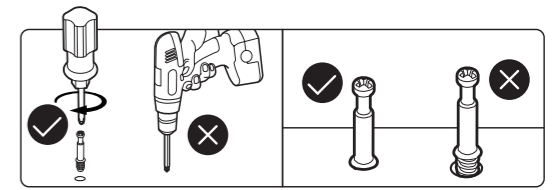
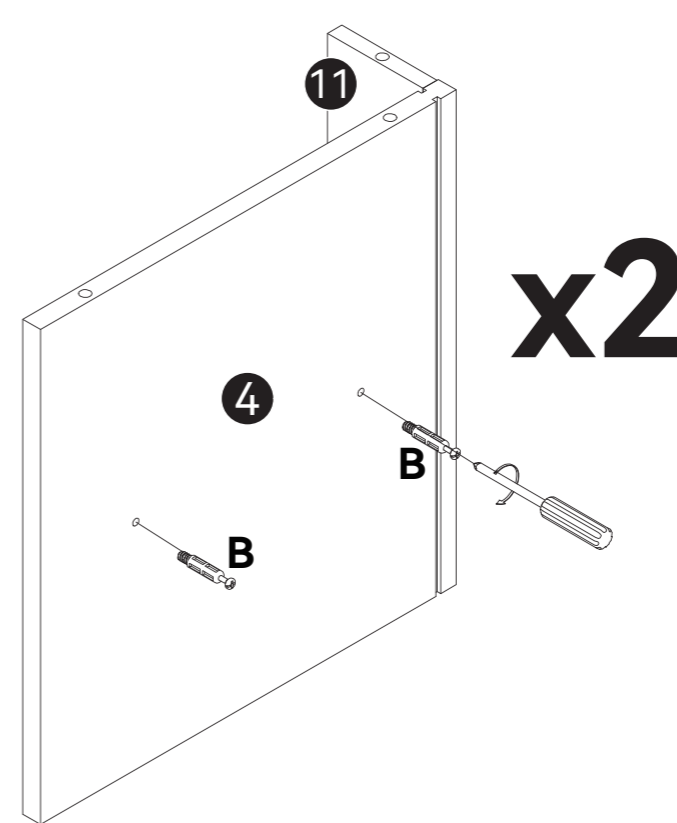
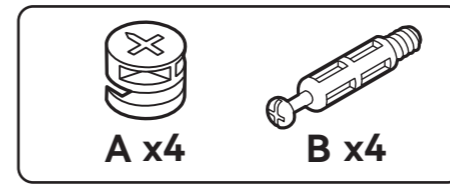
2



3

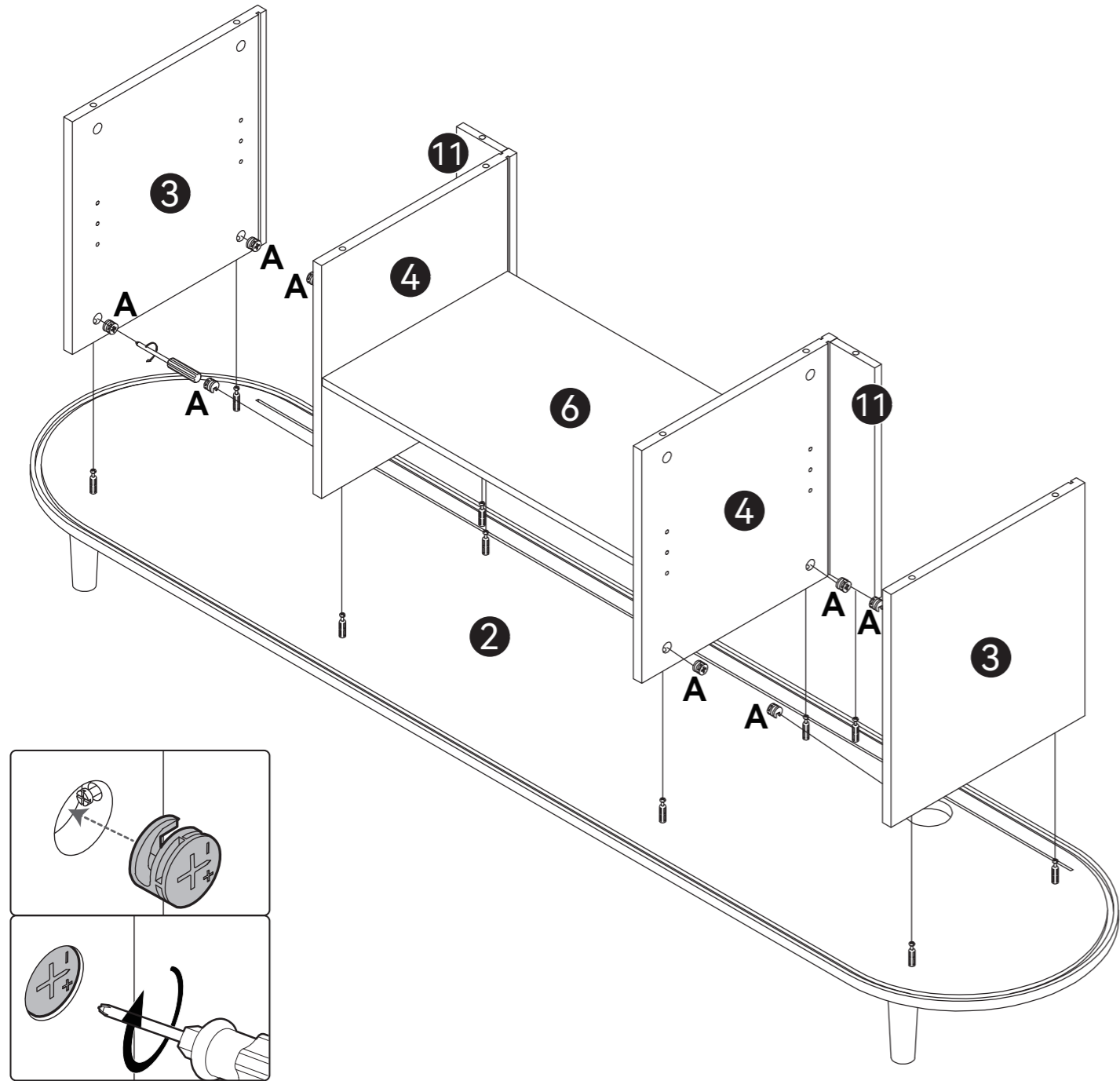
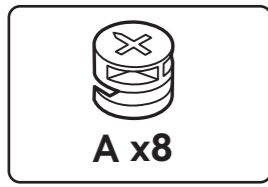


4

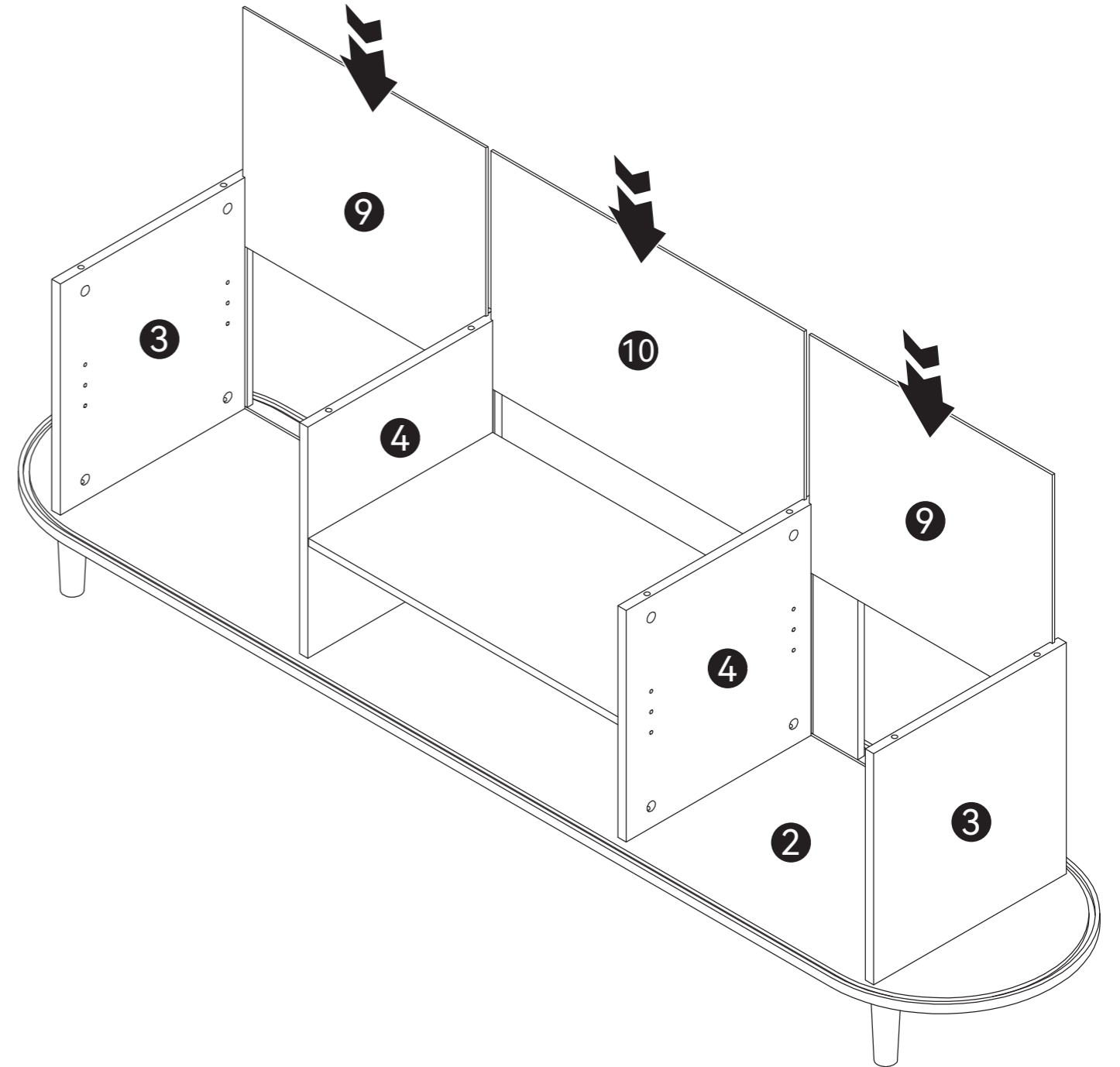


Align the front edges of board **4** and **6** so they are flush.

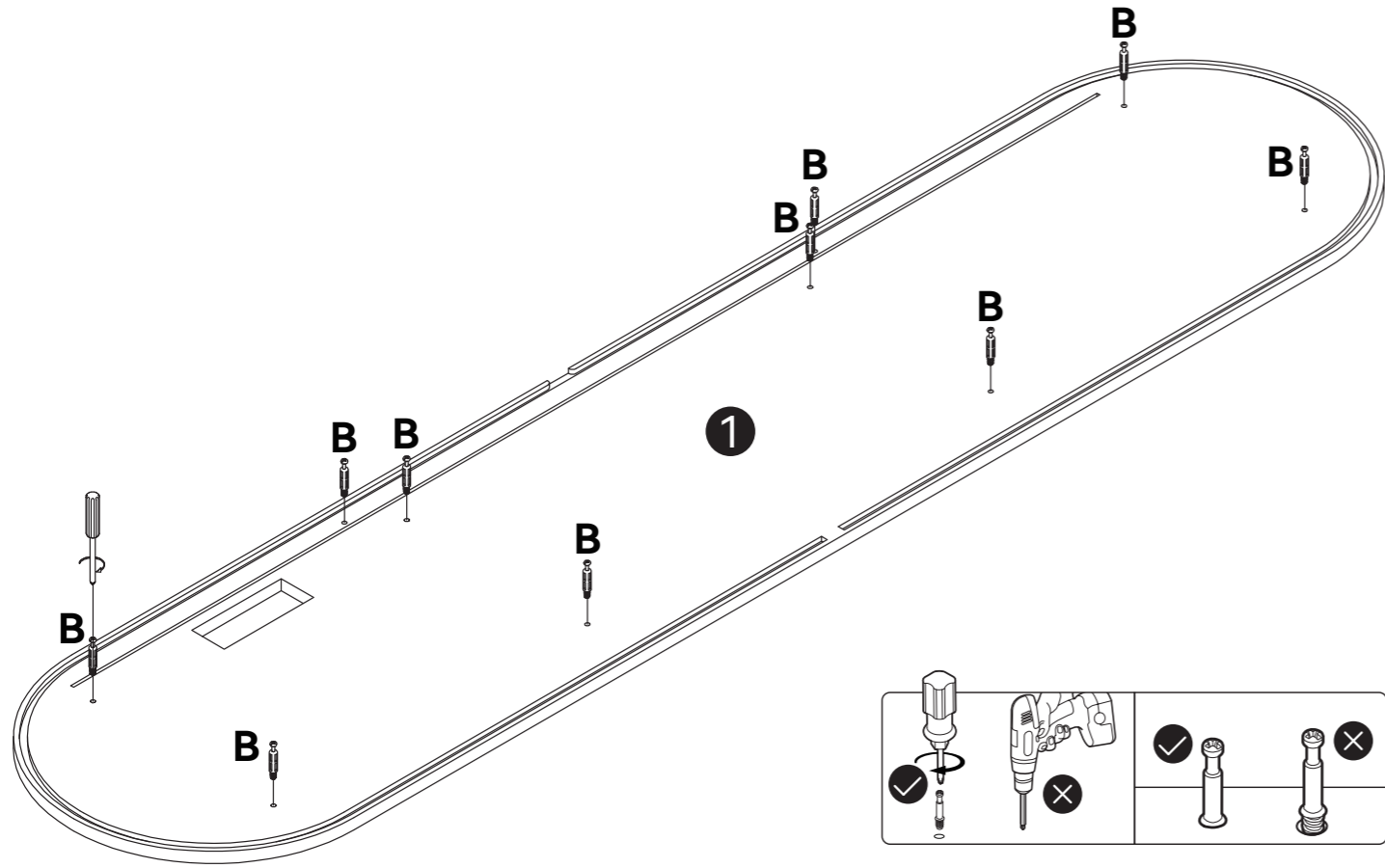
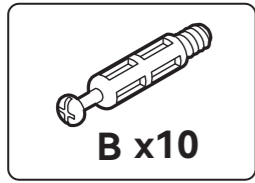
5



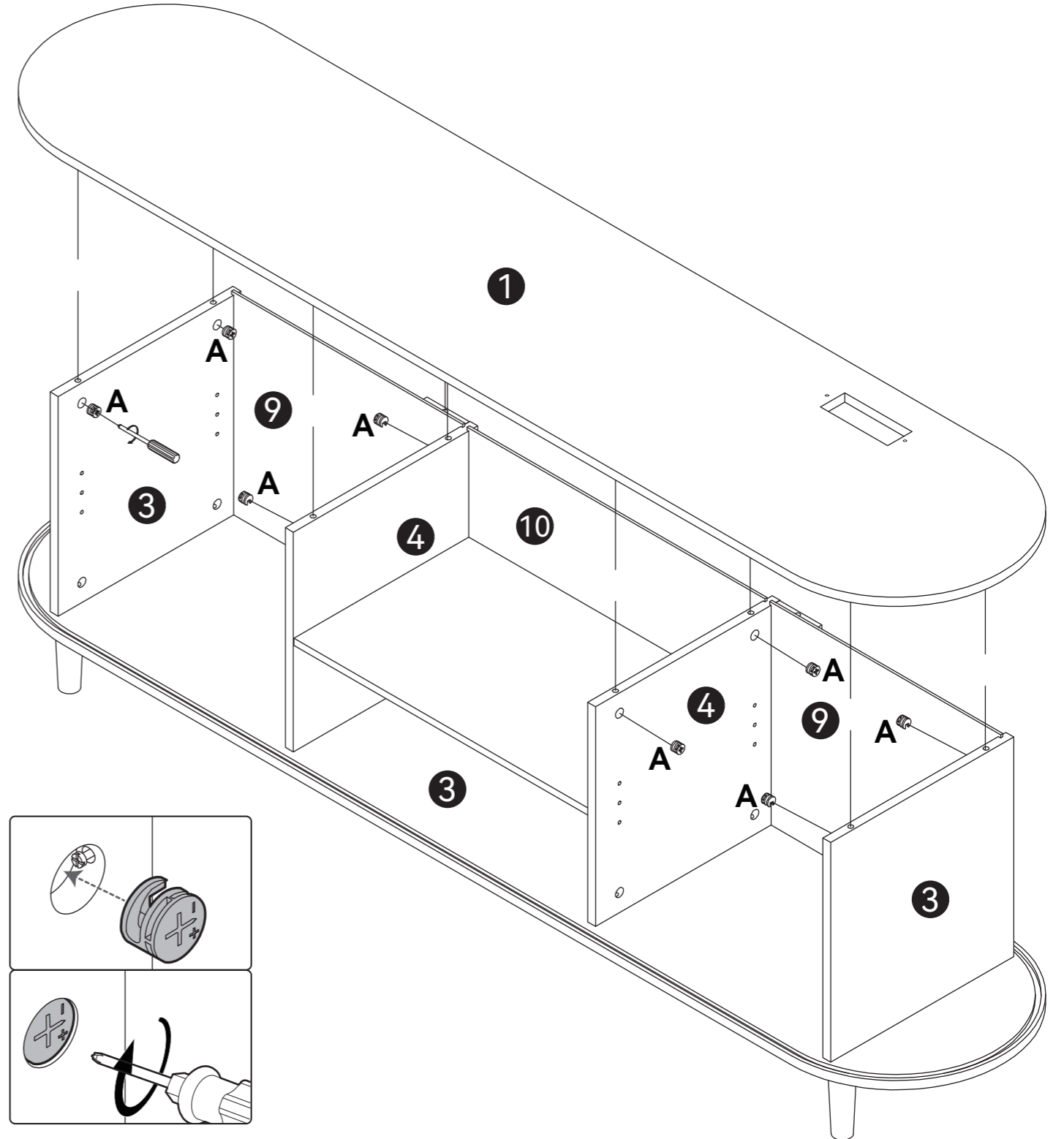
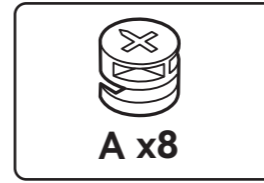
6



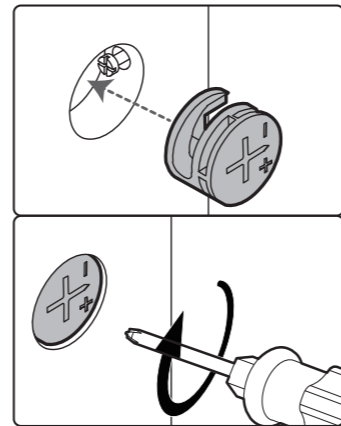
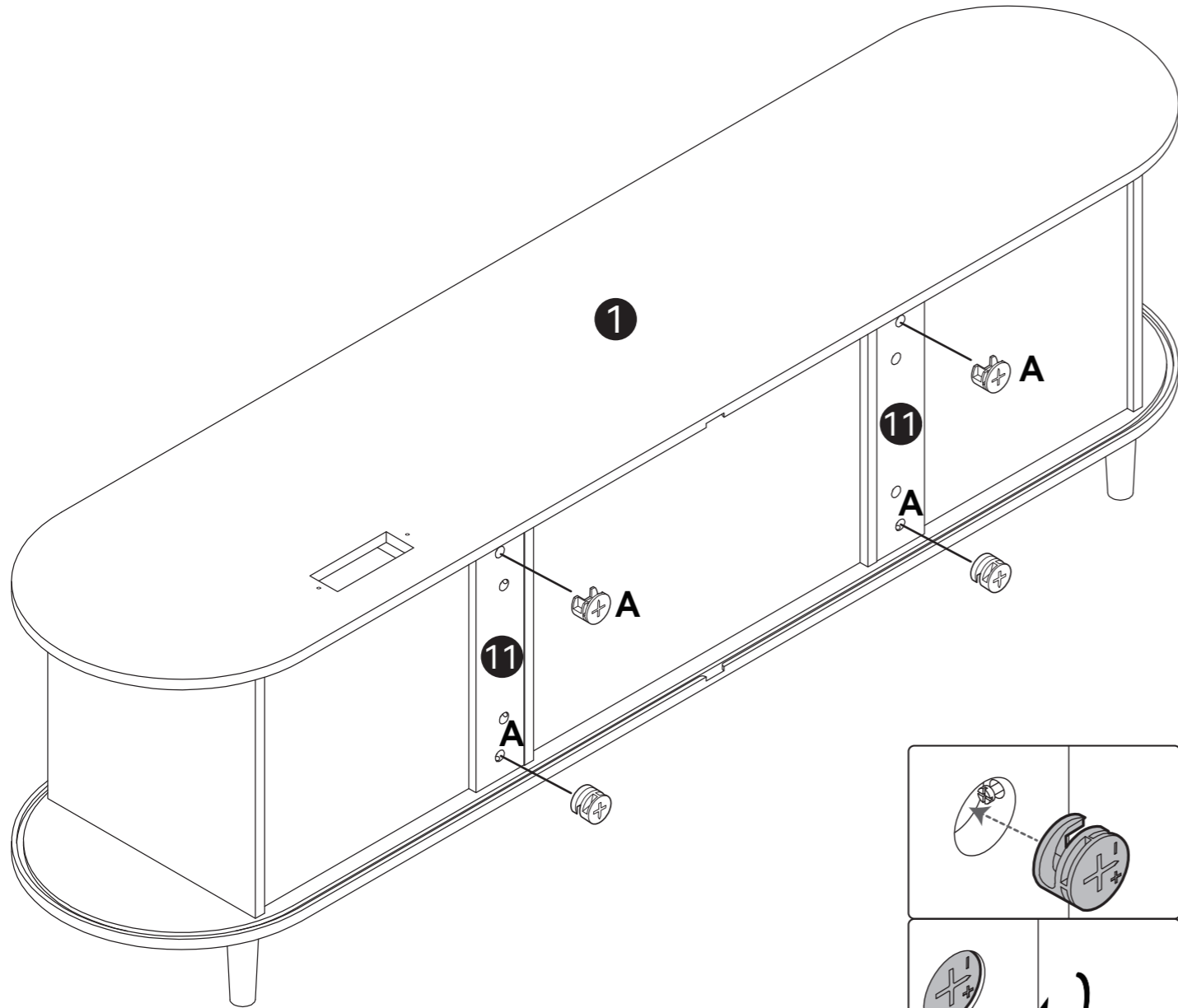
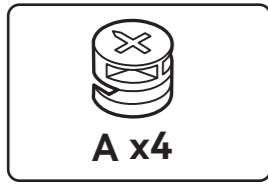
7



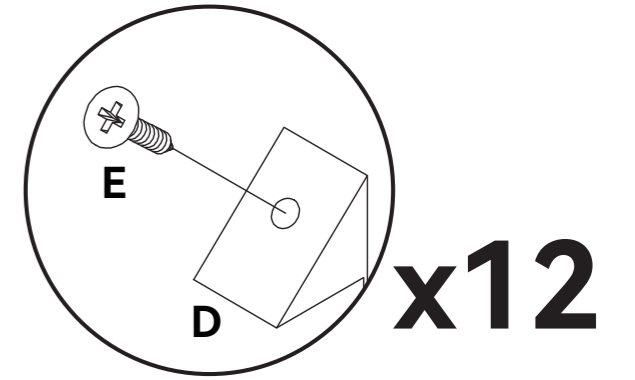
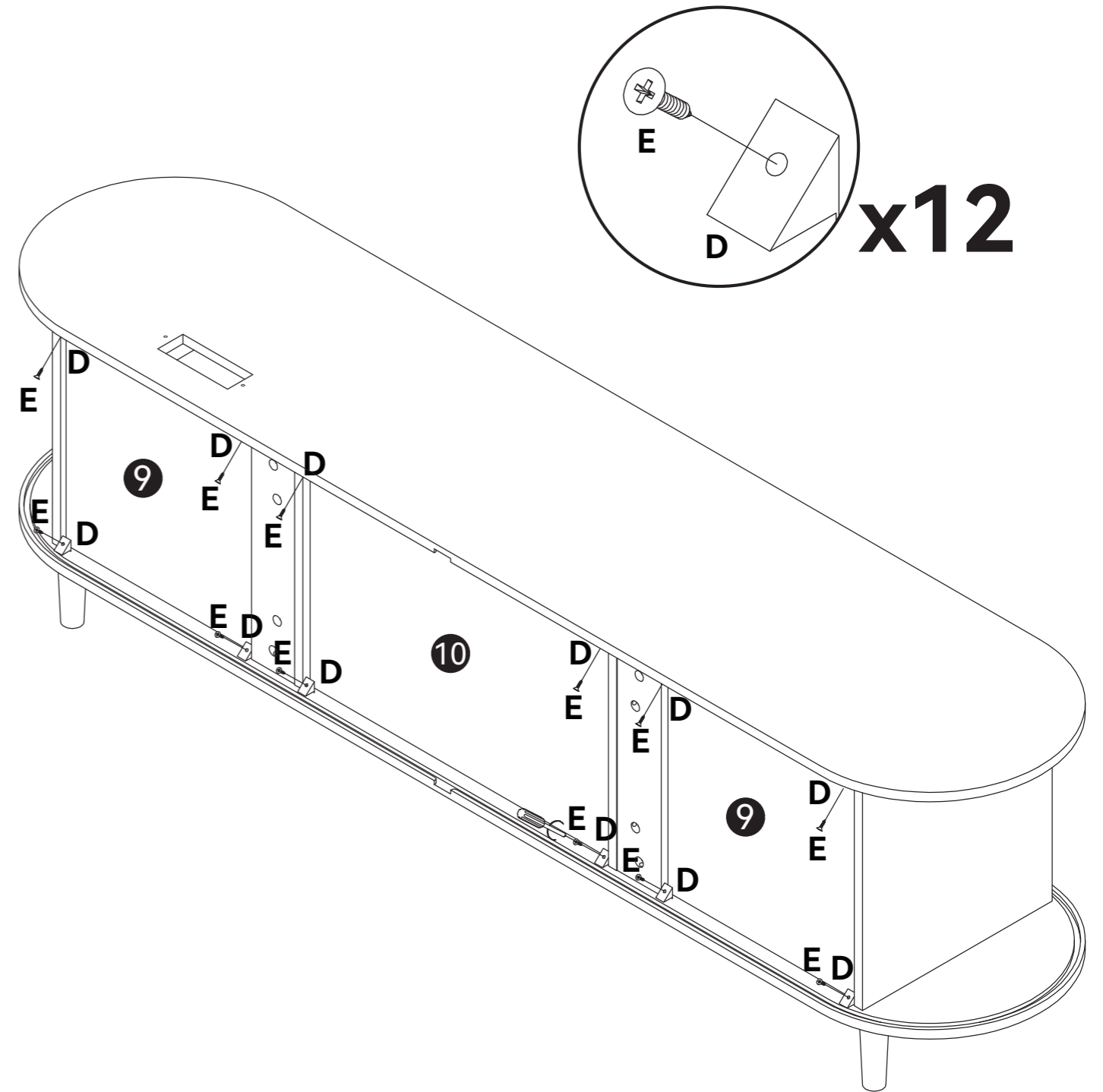
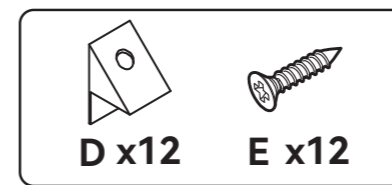
8



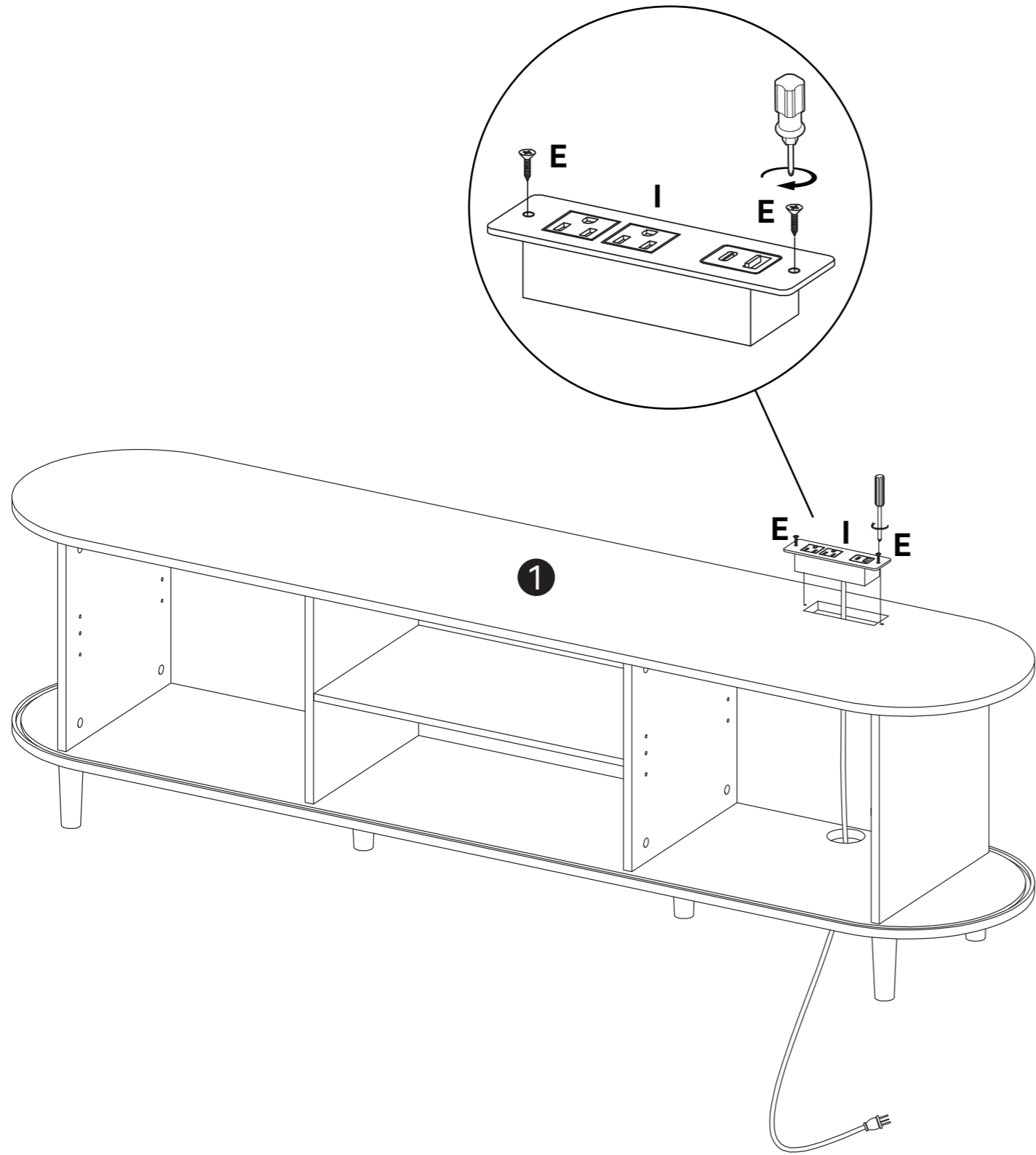
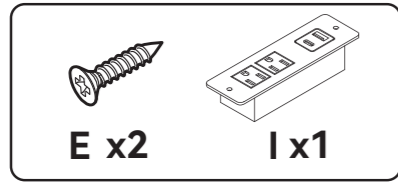
9



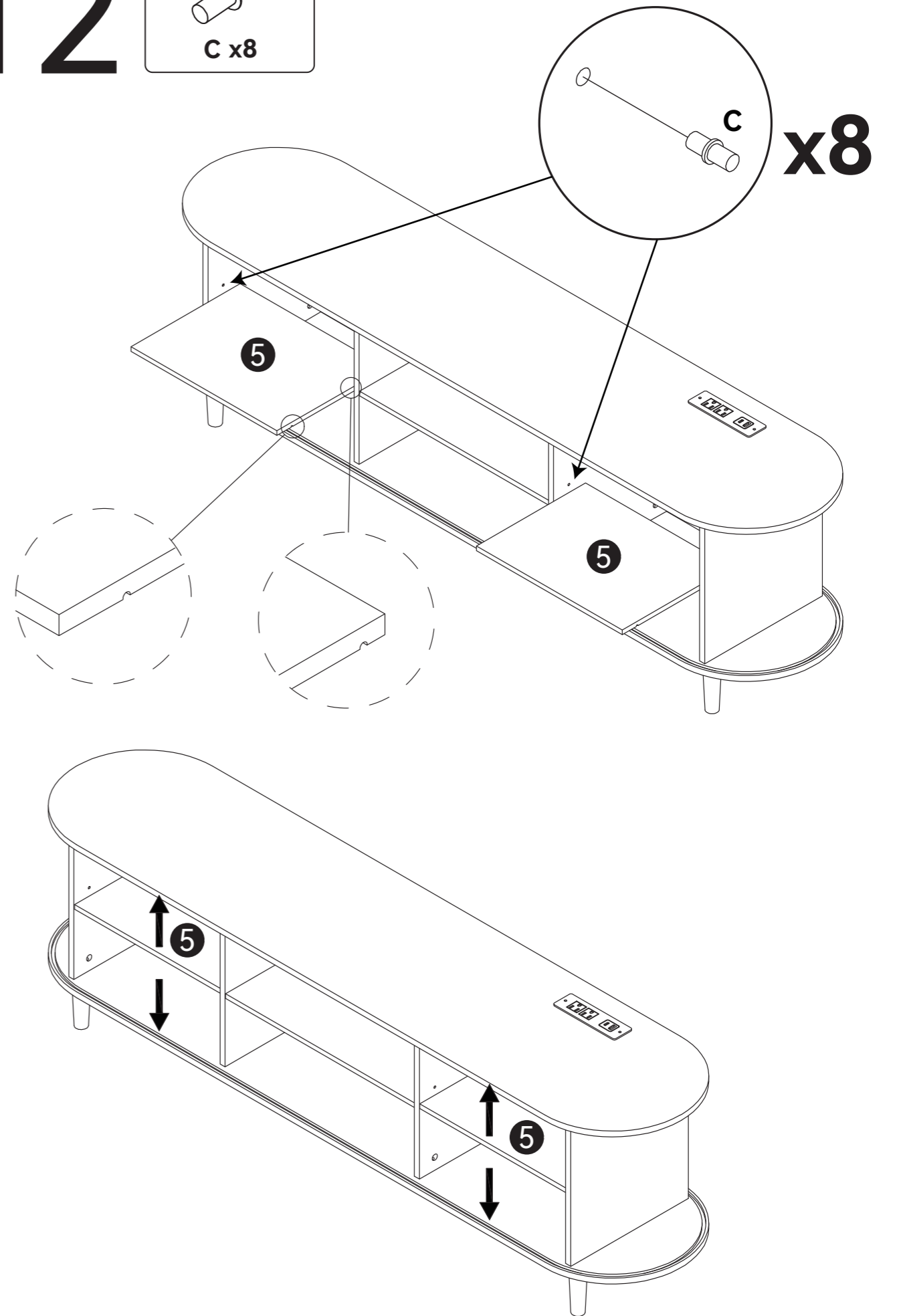
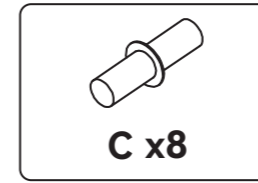
10



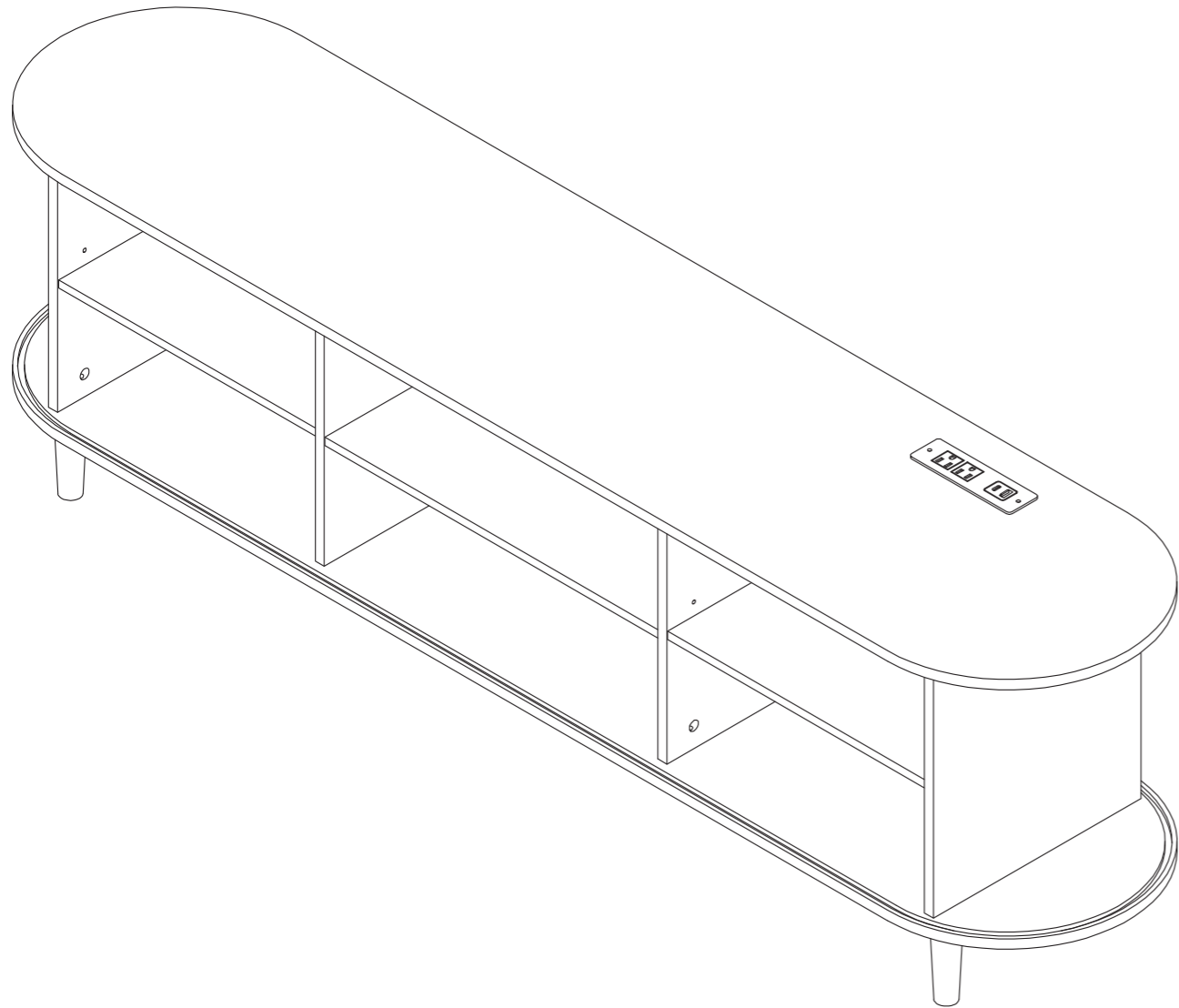
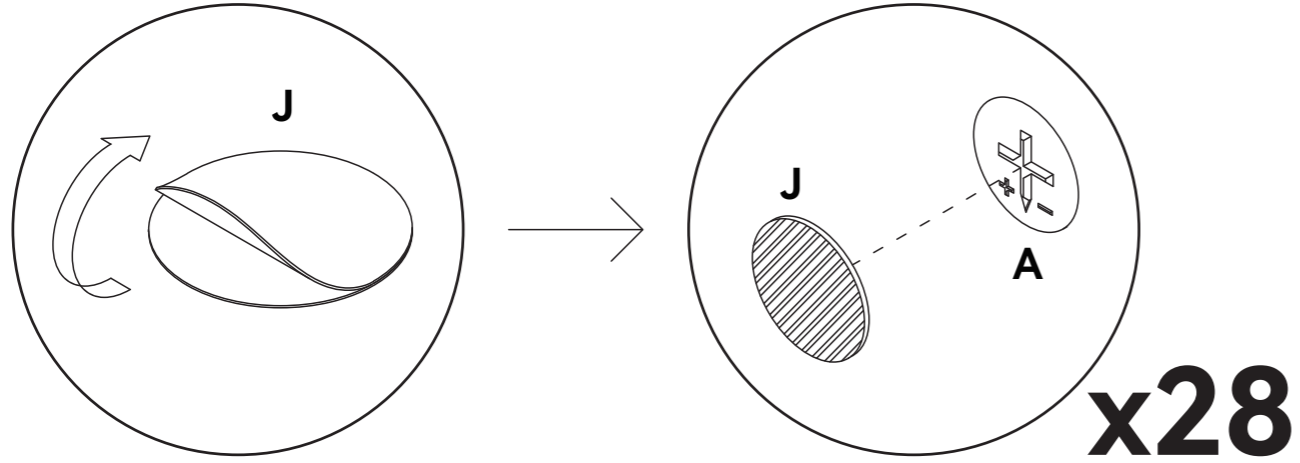
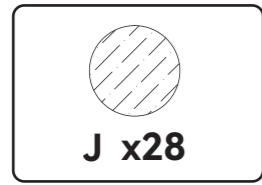
11



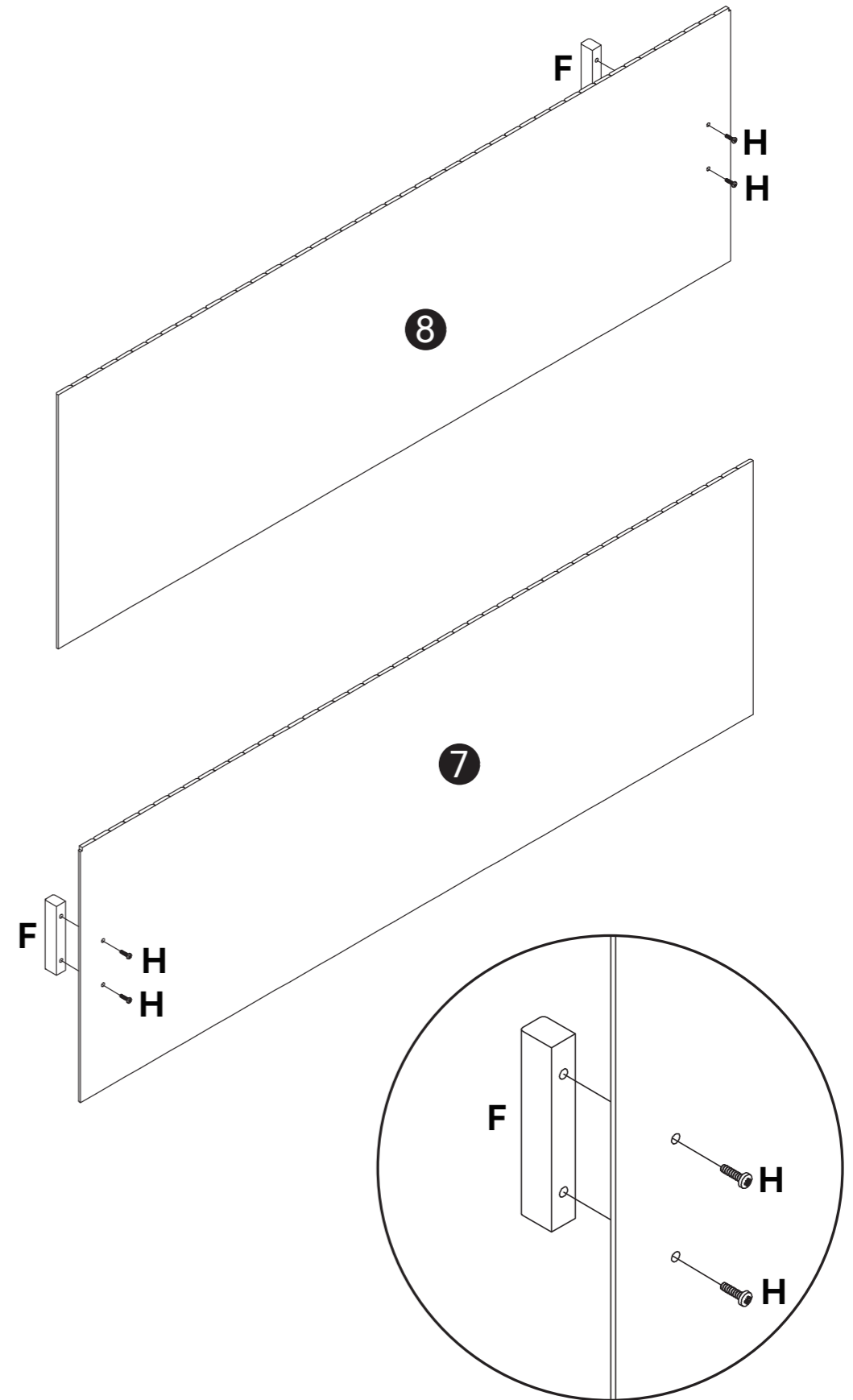
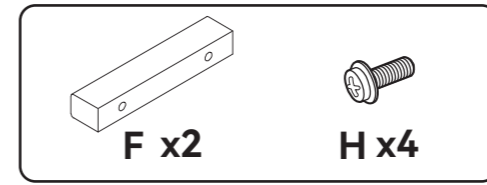
12



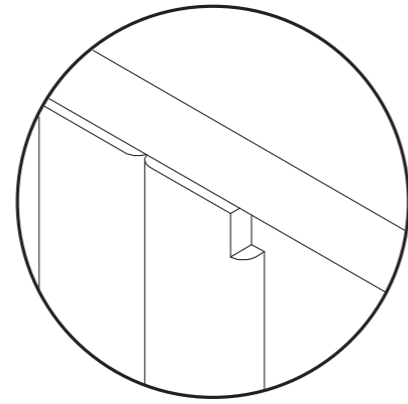
13



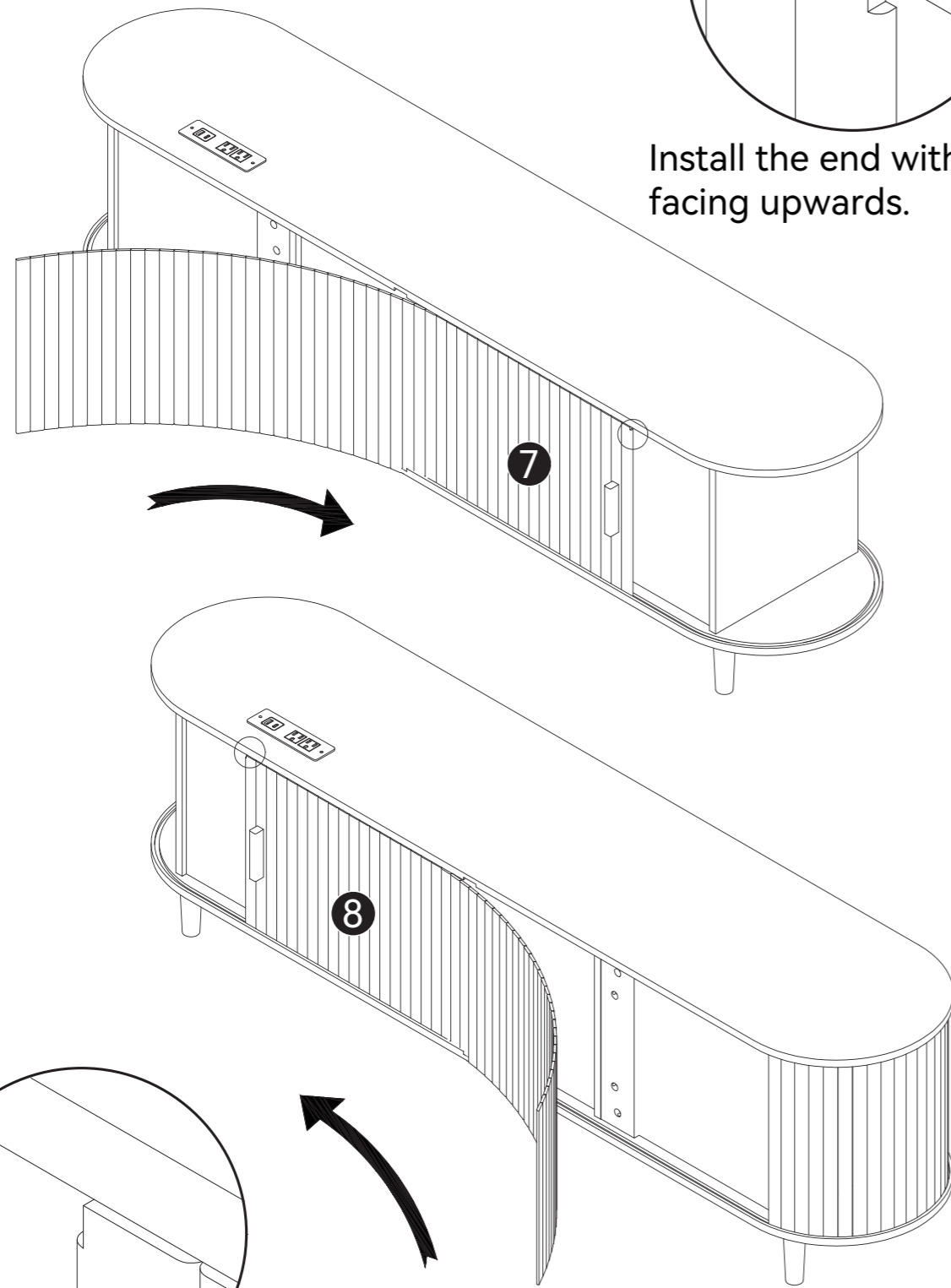
14



15



Install the end with a gap facing upwards.



Install the end with a gap facing upwards.

16

