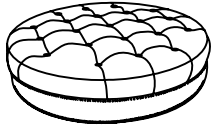


ASSEMBLY INSTRUCTION

ROUND TUFTED BENCH WITH CASTERS

A Bench seat

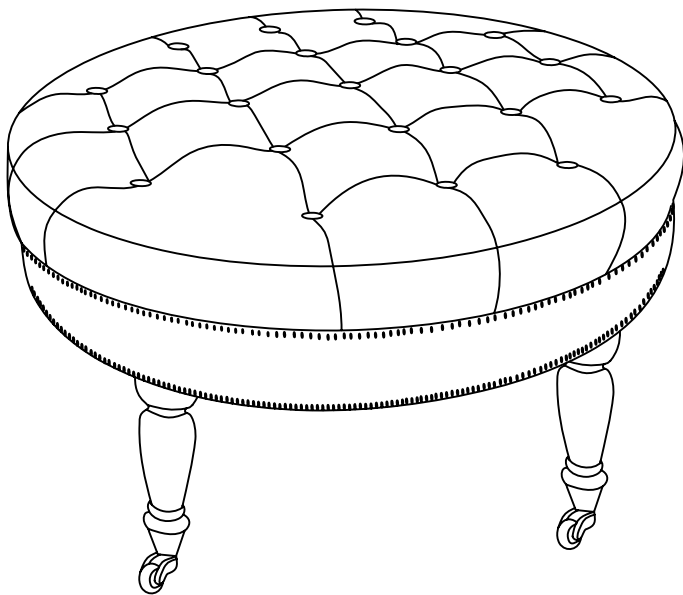


1pc

B Legs

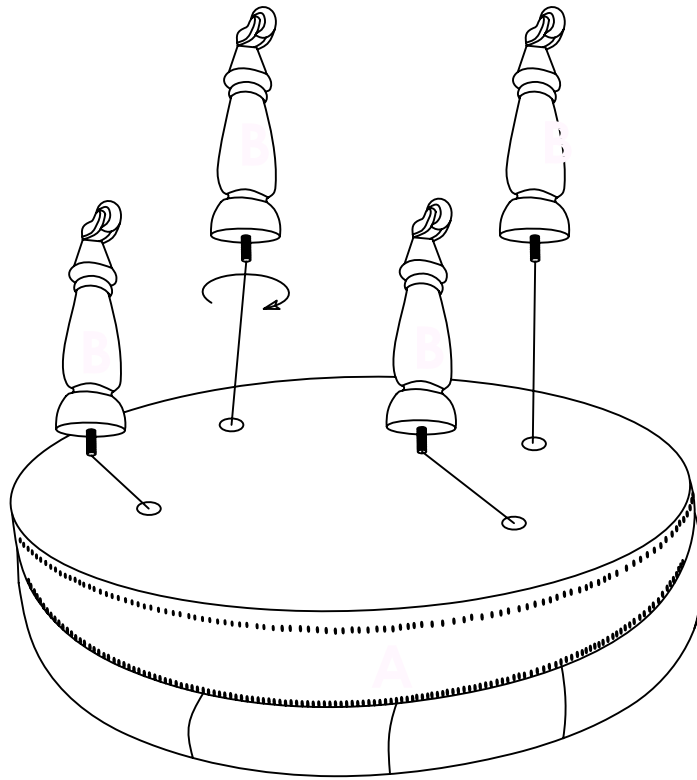


4pcs

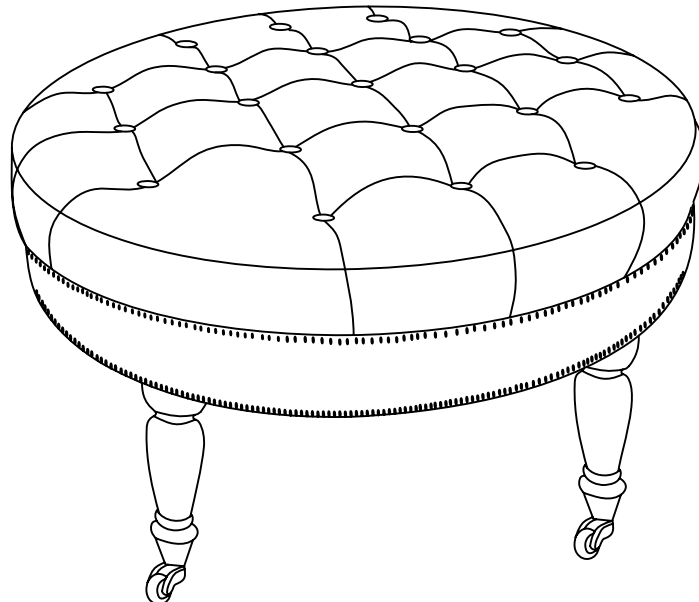


This page lists all the contents included in the box. Please take the time to identify the hardware as well as the individual components to this product. As you unpack and prepare for assembly, place the contents on a carpeted or padded area to protect them from damage.

-
- 1** Put the bench seat (A) on a smooth flat surface, attached legs (B) to the bench seat (A) as rotate .



-
- 2** The assembly is complete .



Cleaning & Care

Treat surface with care. Surface is resistant to scratches but is not scratch resistant. Clean surfaces with a dry or damp soft cloth. Do not use abrasive cleaners. Hardware may loosen over time. Periodically check that all connections are tight.