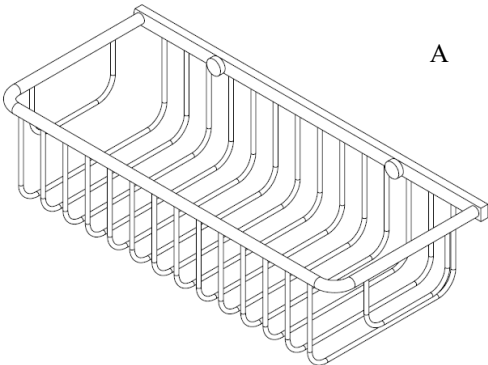


# Shower Basket Installation Guide



Parts Included	QTY
A - Shower Basket	1
B - Screw	2

Description	Finish	Weight (lb)	WxHxD (mm)	WxHxD (Inches)	Metal Type
Shower Basket	Chrome	2	300 x 76 x 131	11.7 x 3 x 5.2	Brass
Shower Basket	Matte Black	2	300 x 76 x 131	11.7 x 3 x 5.2	Brass

**Warranty:** 2 Years

**Care & Maintenance:** A periodic wash using warm water and a soft cloth will retain the high quality finish of your product for many years to come. ON NO ACCOUNT should any household bleaches, detergents, abrasive polishes, steel wool or other cleaning agents be used on this item.

