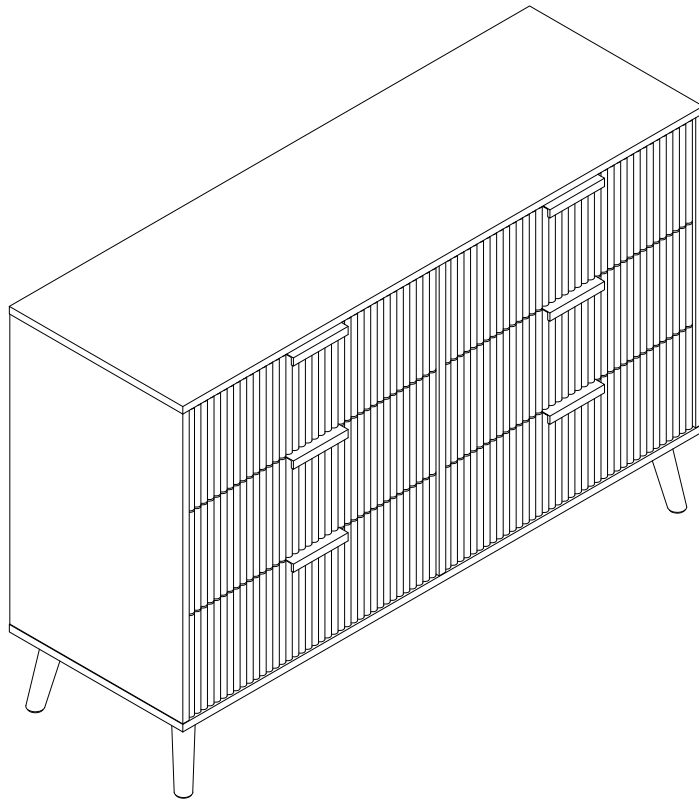
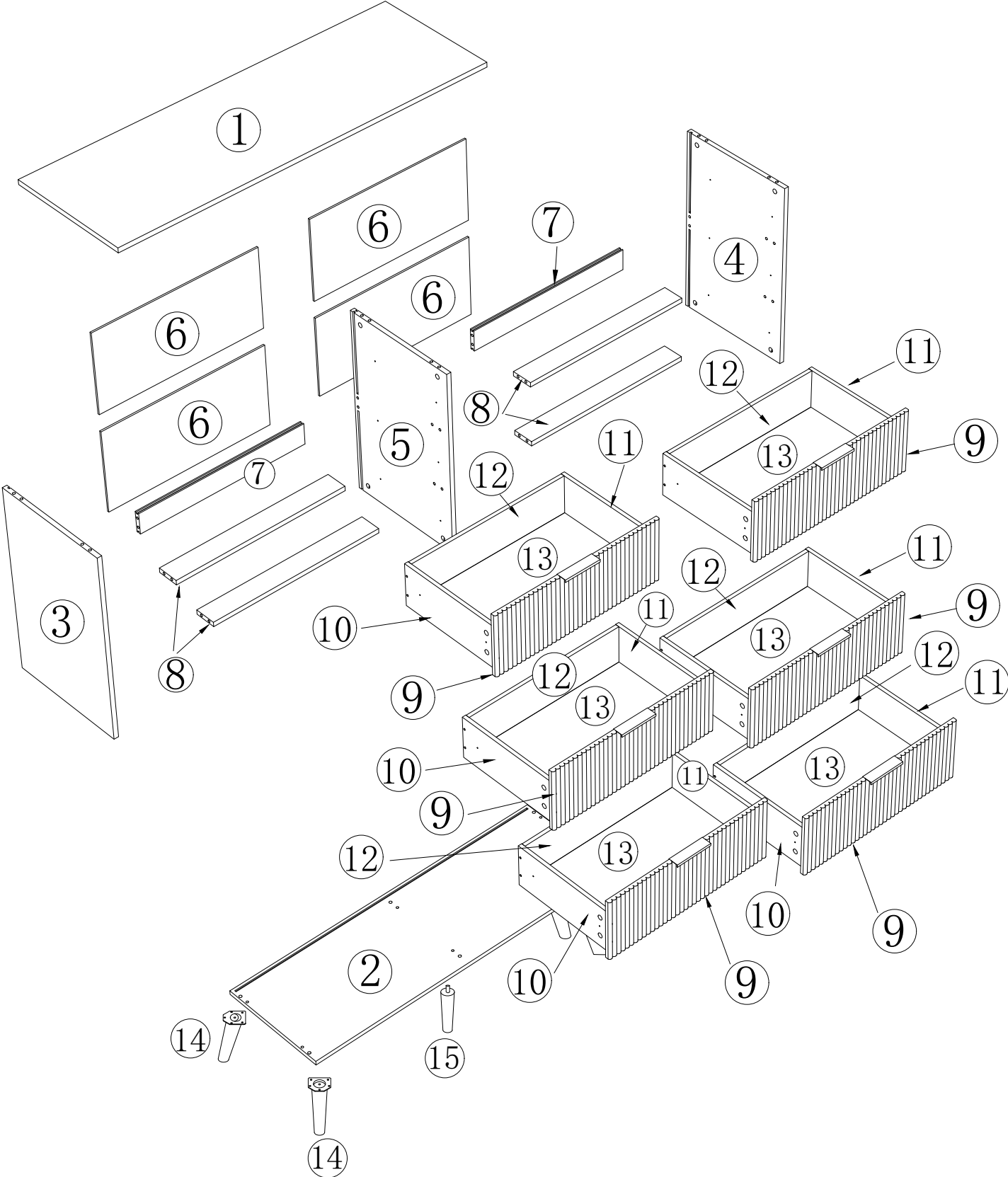


# Assembly Instruction

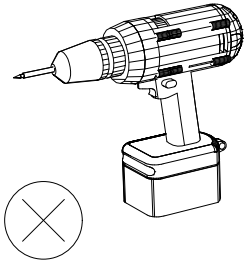
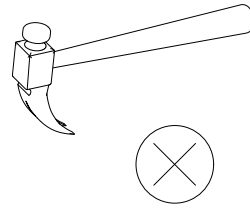
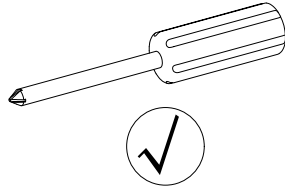
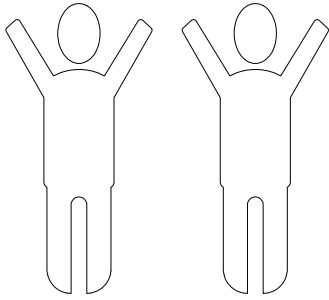
———— CBN092NT ————



Parts List (EN) / Teile Liste (DE)

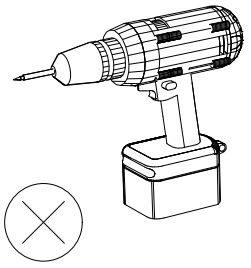
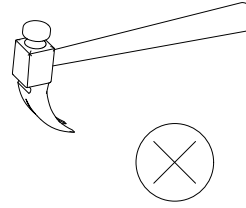
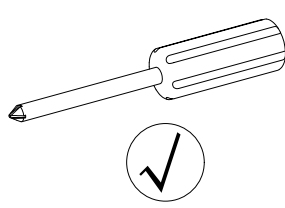
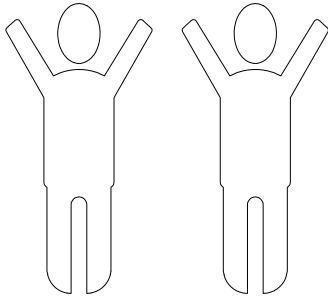



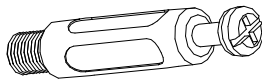
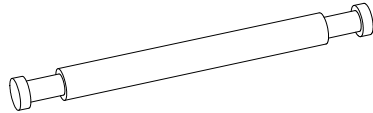
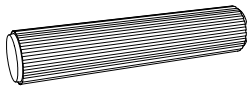
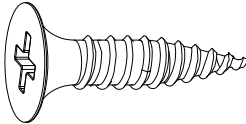
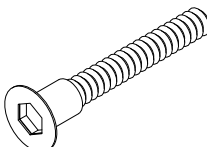
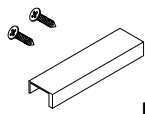
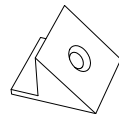
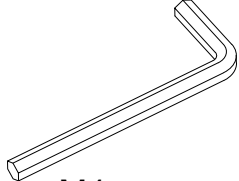

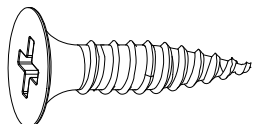
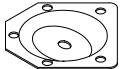
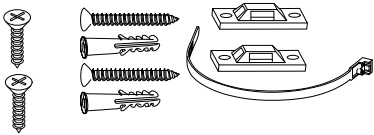
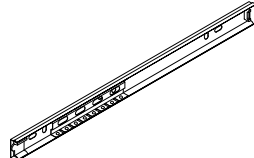
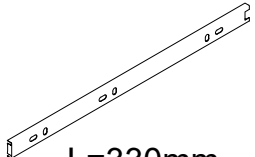
# Parts List (EN) / Teile Liste (DE)



<p>①</p> <p>1PCS</p>	<p>②</p> <p>1PCS</p>	<p>③</p> <p>1PCS</p>
<p>④</p> <p>1PCS</p>	<p>⑤</p> <p>1PCS</p>	<p>⑥</p> <p>4PCS</p>
<p>⑦</p> <p>2PCS</p>	<p>⑧</p> <p>4PCS</p>	<p>⑨</p> <p>6PCS</p>
<p>⑩</p> <p>6PCS</p>	<p>⑪</p> <p>6PCS</p>	<p>⑫</p> <p>6PCS</p>
<p>⑬</p> <p>6PCS</p>	<p>⑭</p> <p>Ø40*150mm</p> <p>4PCS</p>	<p>⑮</p> <p>Ø40*150mm</p> <p>1PCS</p>

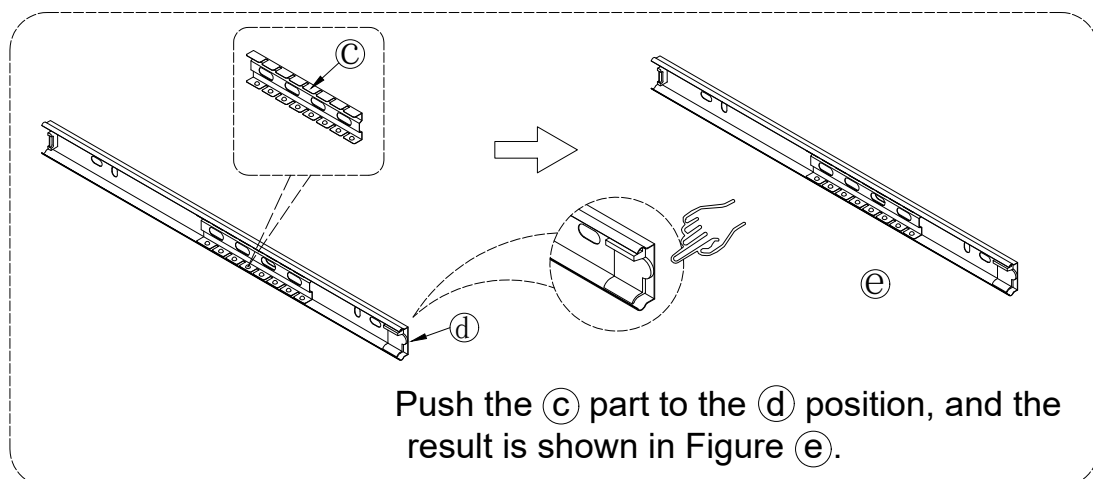
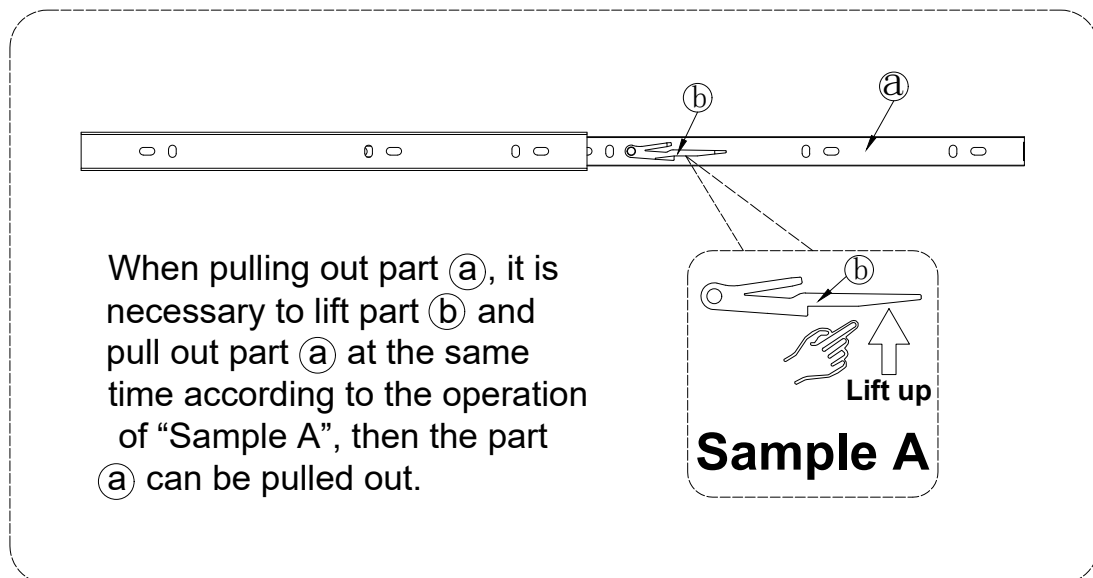
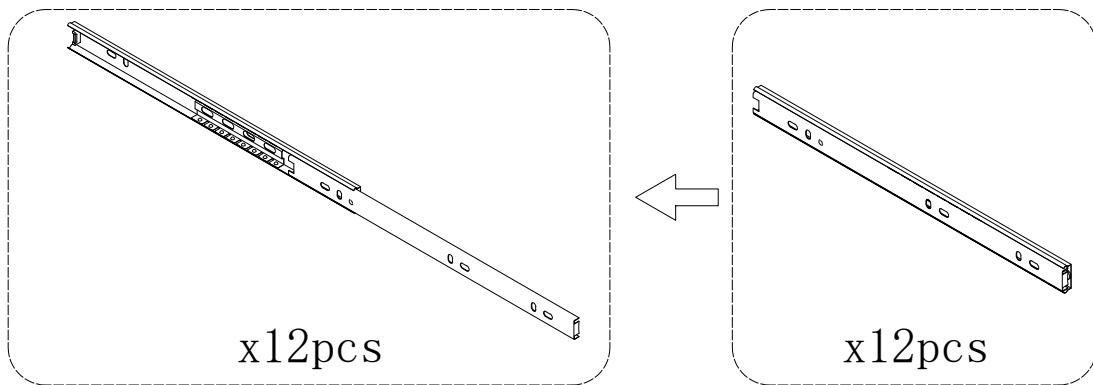
# Parts List (EN) / Teile Liste (DE)



<p><b>A</b></p>  <p><math>\varnothing 15 \times 9.5 \text{mm}</math> 60+2PCS</p>	<p><b>B</b></p>  <p><math>\varnothing 6 \times 35 \text{mm}</math> 48+2PCS</p>	<p><b>C</b></p>  <p>L=69mm 6PCS</p>
<p><b>D</b></p>  <p><math>\varnothing 8 \times 30 \text{mm}</math> 12+2PCS</p>	<p><b>E</b></p>  <p><math>\varnothing 3.5 \times 14 \text{mm}</math> 16+2PCS</p>	<p><b>F</b></p>  <p>ST5*50mm 24+2PCS</p>
<p><b>G</b></p>  <p>Handle 6PCS</p>	<p><b>H</b></p>  <p>16+2PCS</p>	<p><b>J</b></p>  <p>M4 1PC</p>
<p><b>K</b></p>  <p>M5*8mm 20+2PCS</p>	<p><b>L</b></p>  <p><math>\varnothing 3.5 \times 12 \text{mm}</math> 48+2PCS</p>	<p><b>M</b></p>  <p>4PCS</p>
<p><b>N</b></p>  <p>1 set</p>	<p><b>P</b></p>  <p>L=330mm 12PCS</p>	<p><b>Q</b></p>  <p>L=330mm 12PCS</p>

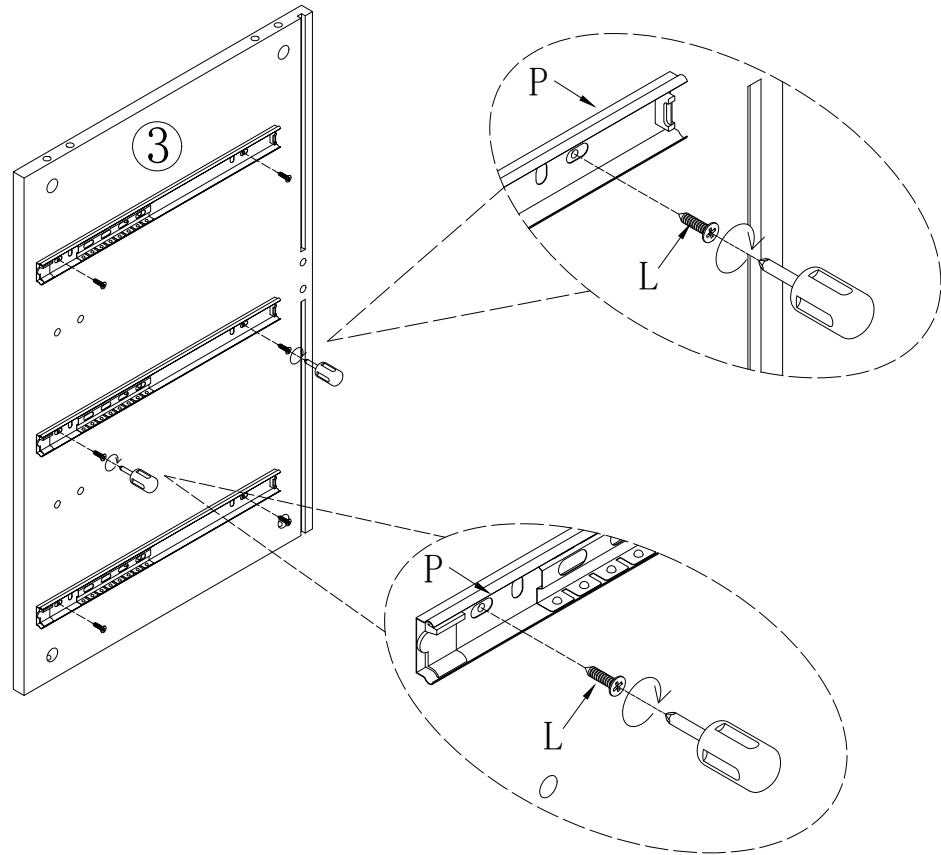
# Assembly Steps (EN) /Montageschritte (DE)



## Step 1



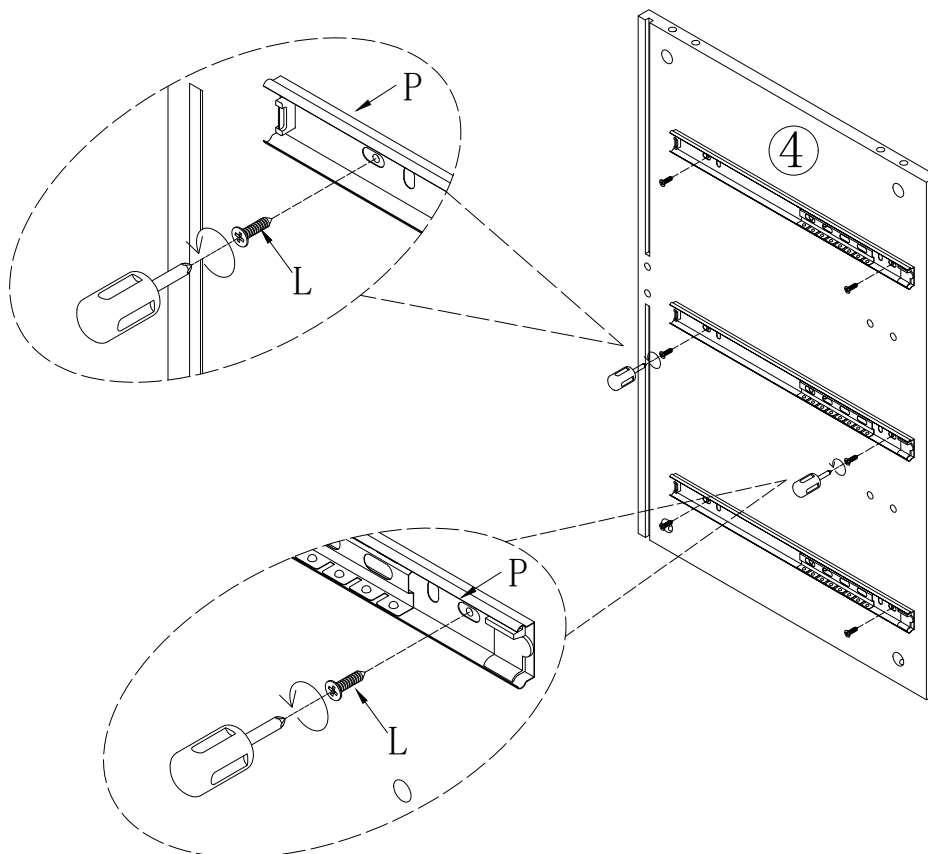
# Assembly Steps (EN) /Montageschritte (DE)



## Step 2



	Lx6pcs
	Px3pcs

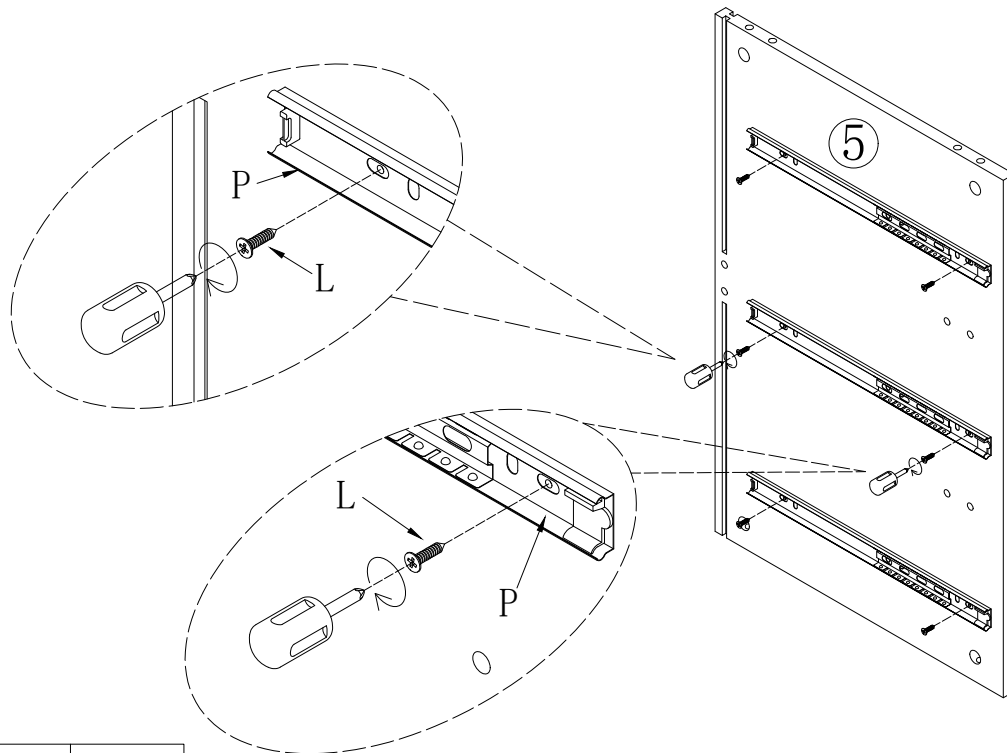
## Step 3

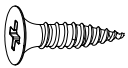



	Lx6pcs
	Px3pcs

# Assembly Steps (EN) /Montageschritte (DE)

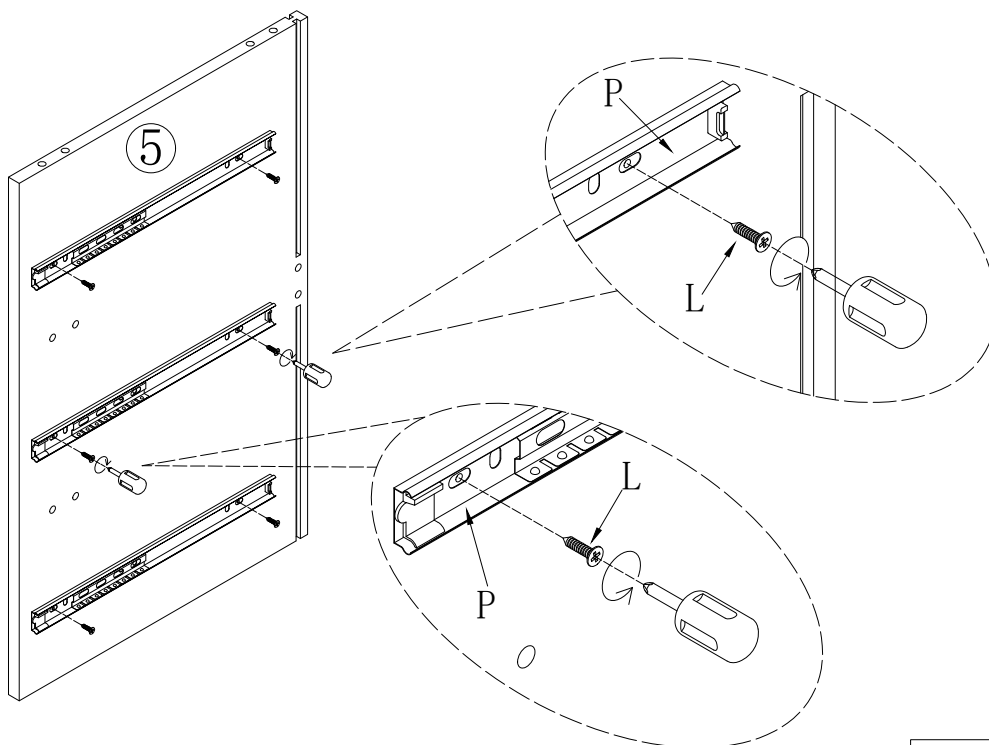
## Step 4

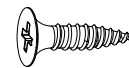



	Lx6pcs
	Px3pcs

Side A

## Step 5

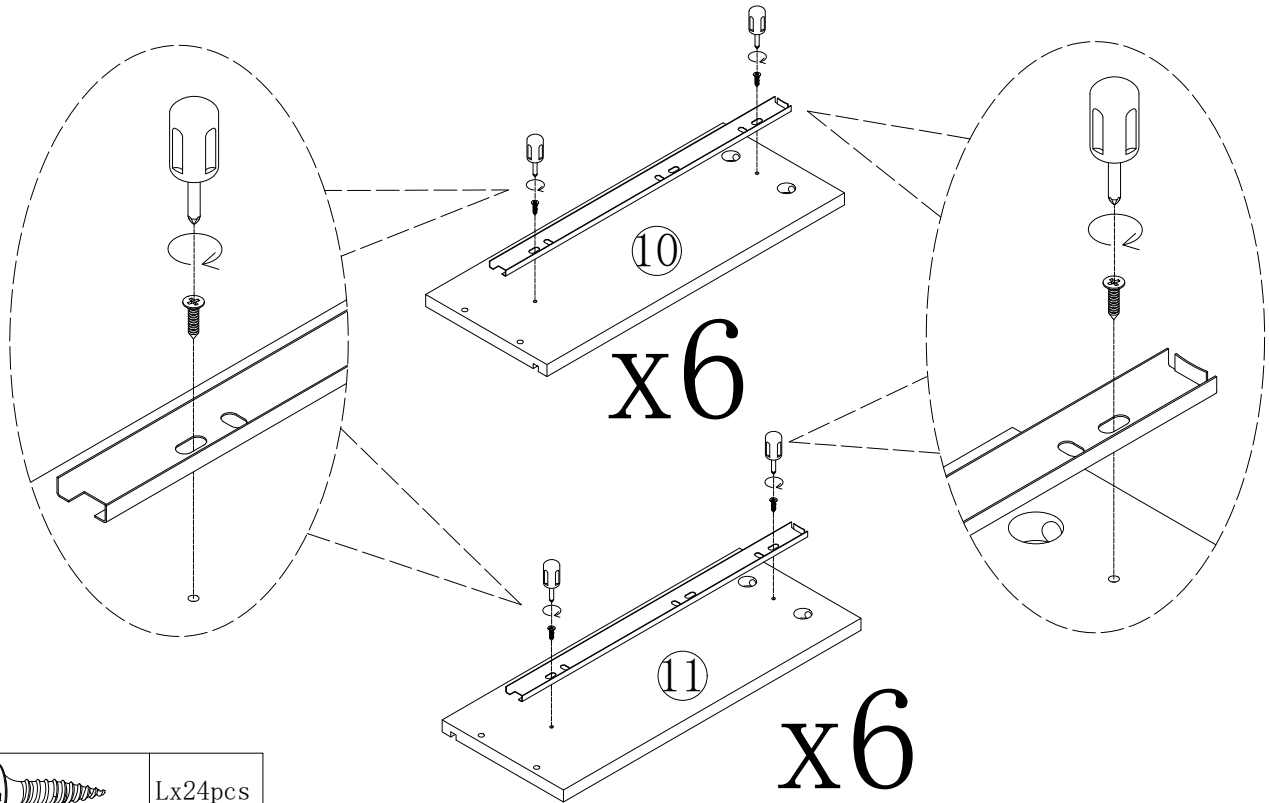


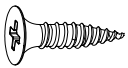
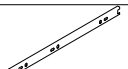
	Lx6pcs
	Px3pcs

Side B

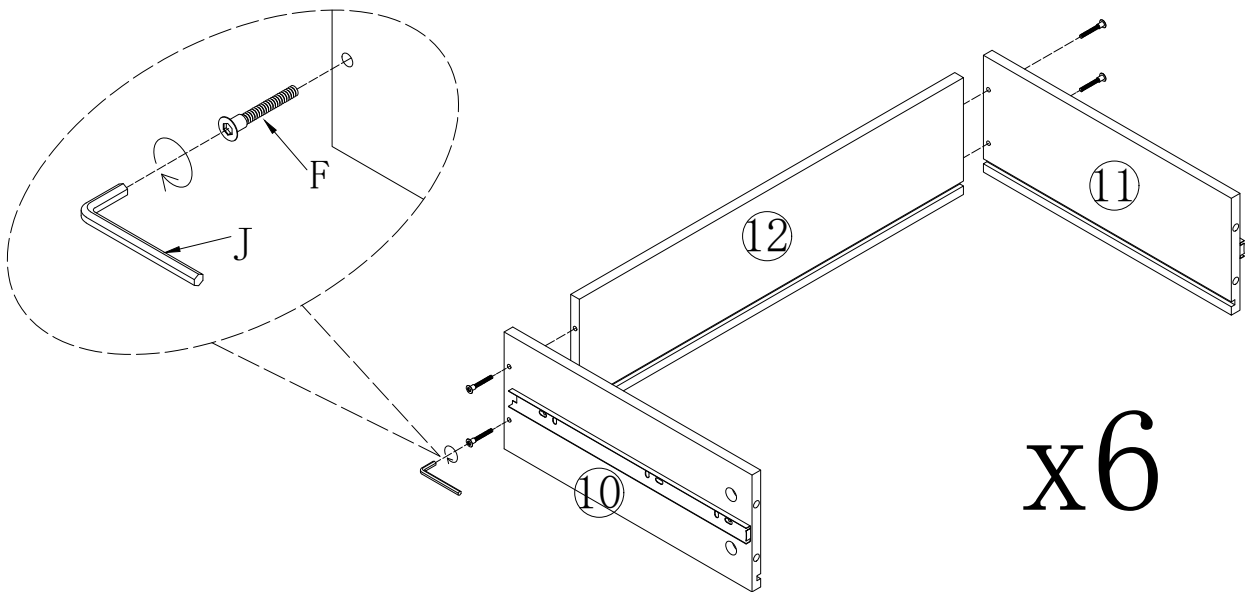
# Assembly Steps (EN) /Montageschritte (DE)


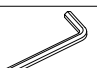
## Step 6



	Lx24pcs
	Qx12pcs

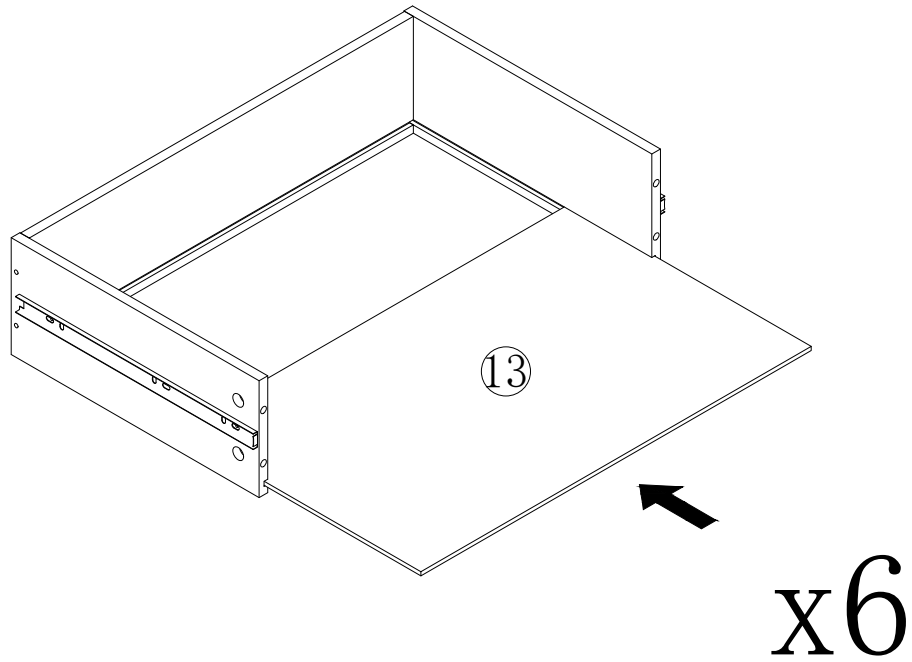
## Step 7



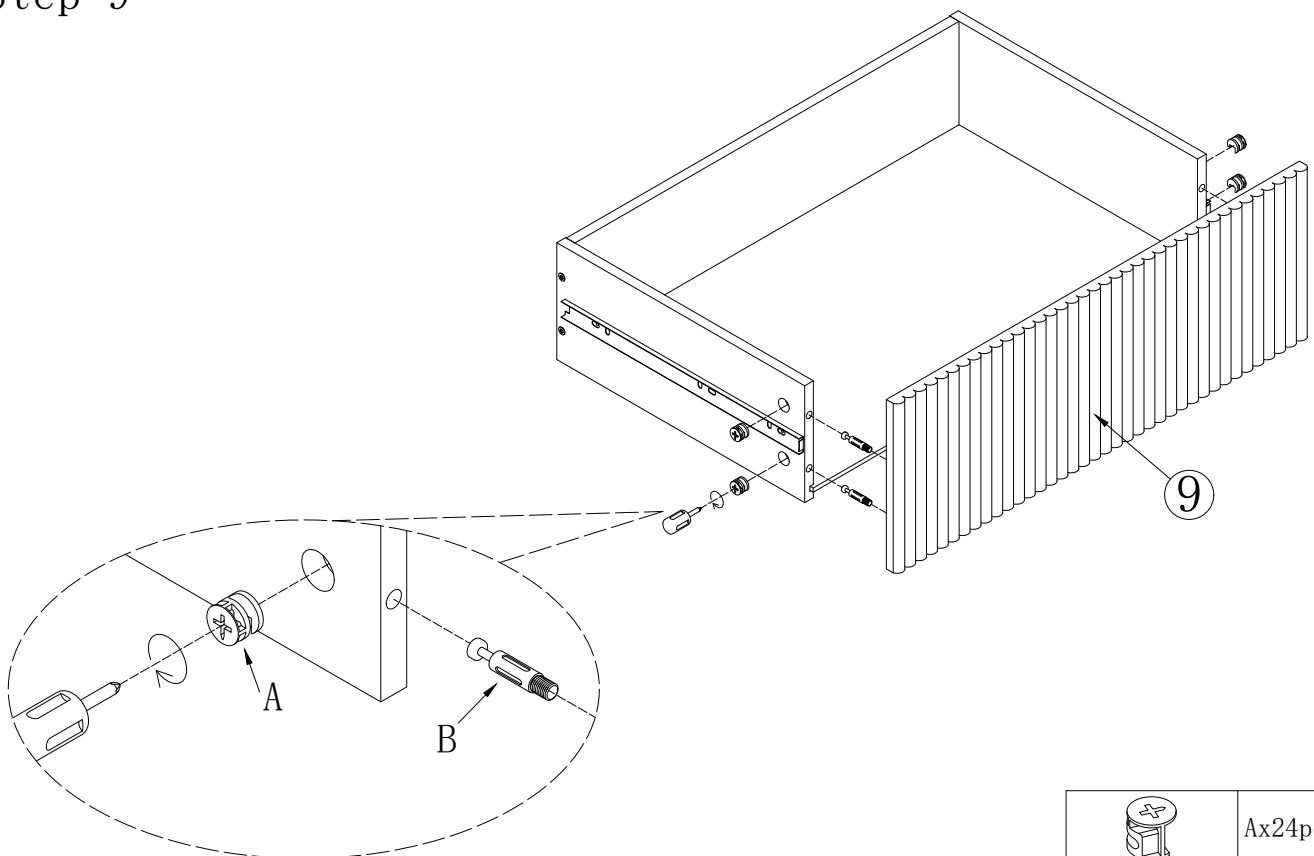
	Fx24pcs
	Jx1pcs



# Assembly Steps (EN) /Montageschritte (DE)

## Step 8



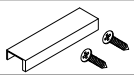
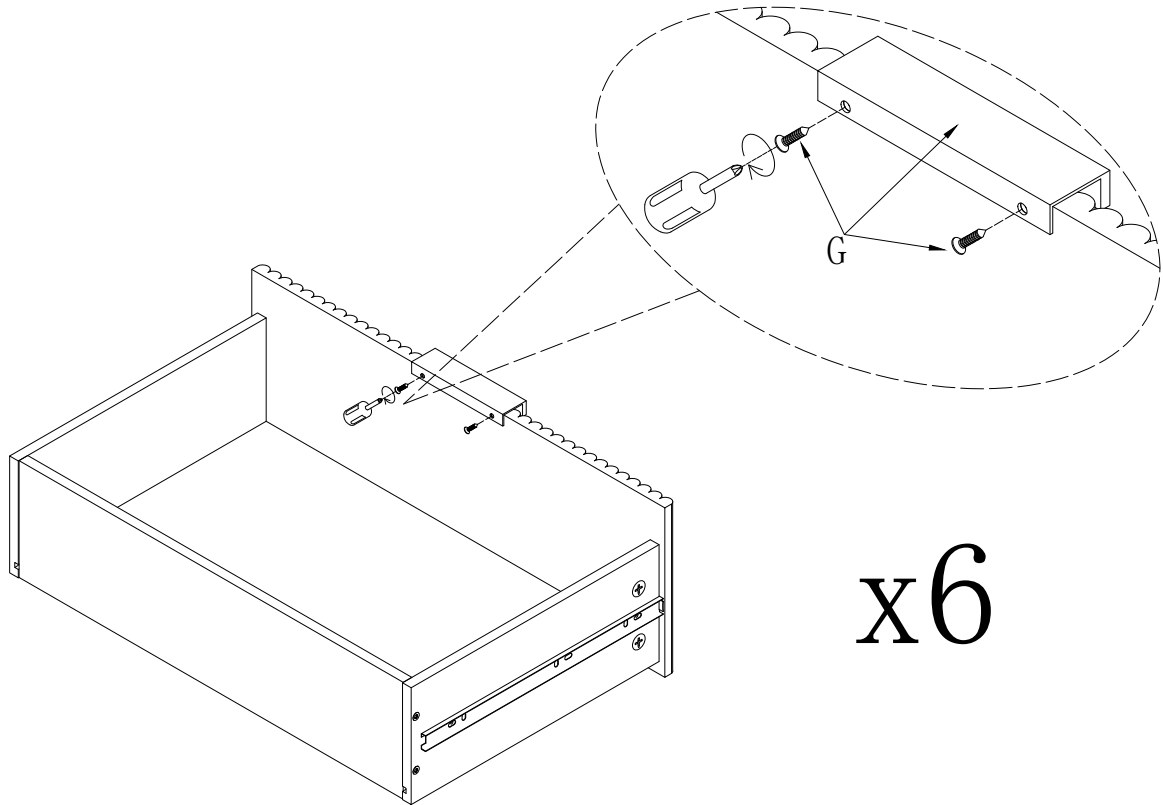
## Step 9



	Ax24pcs
	Bx24pcs

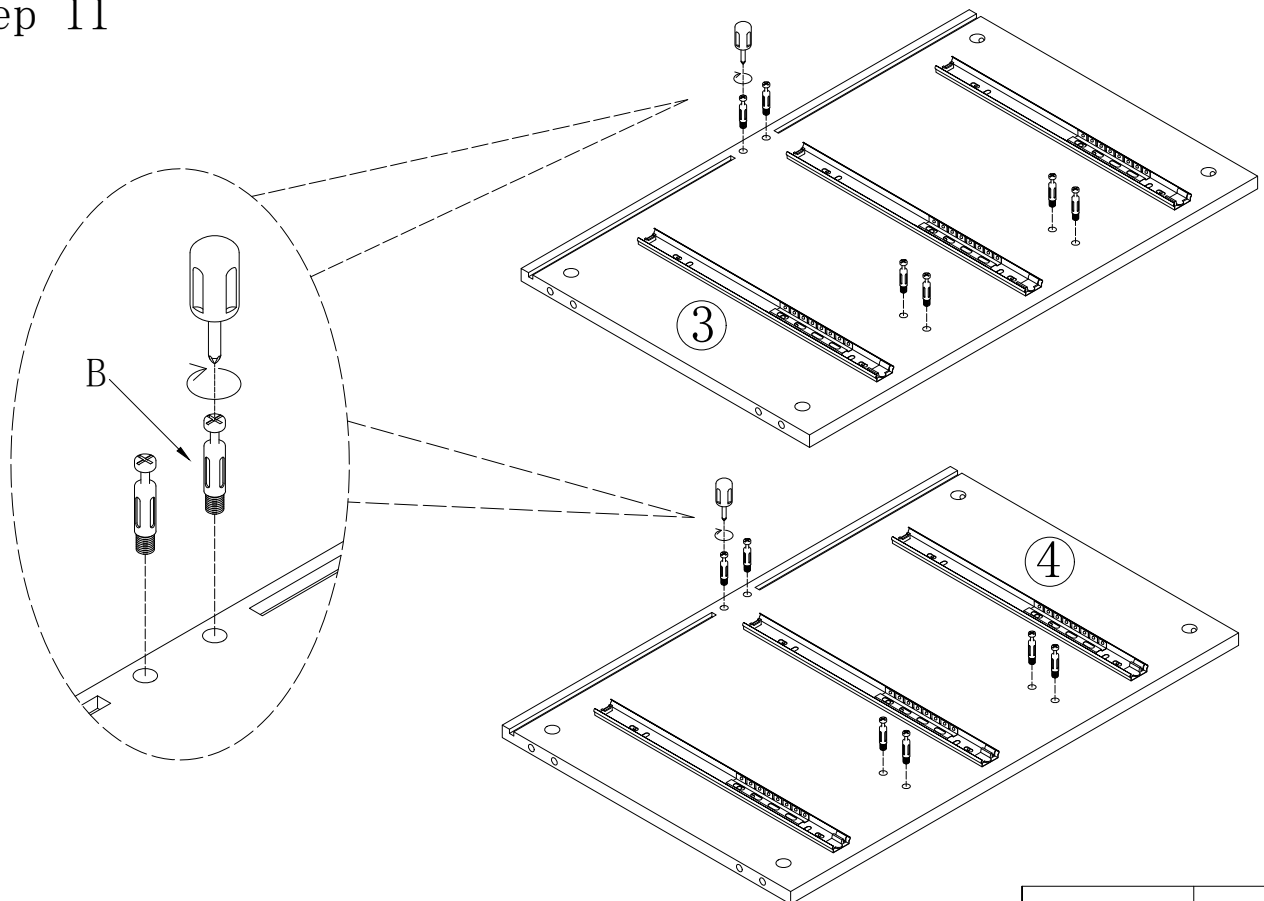
# Assembly Steps (EN) /Montageschritte (DE)

## Step 10



Gx6pcs

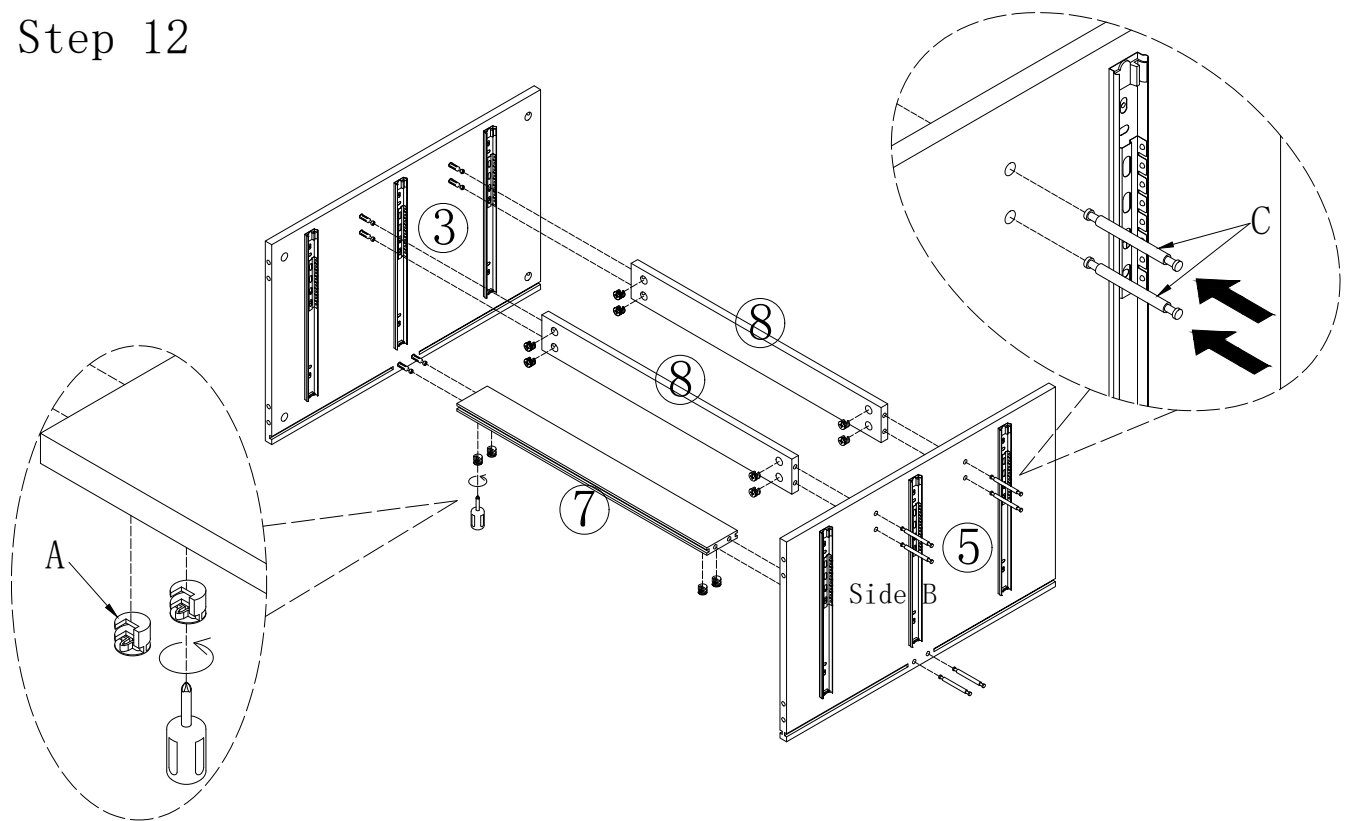
## Step 11





Bx12pcs

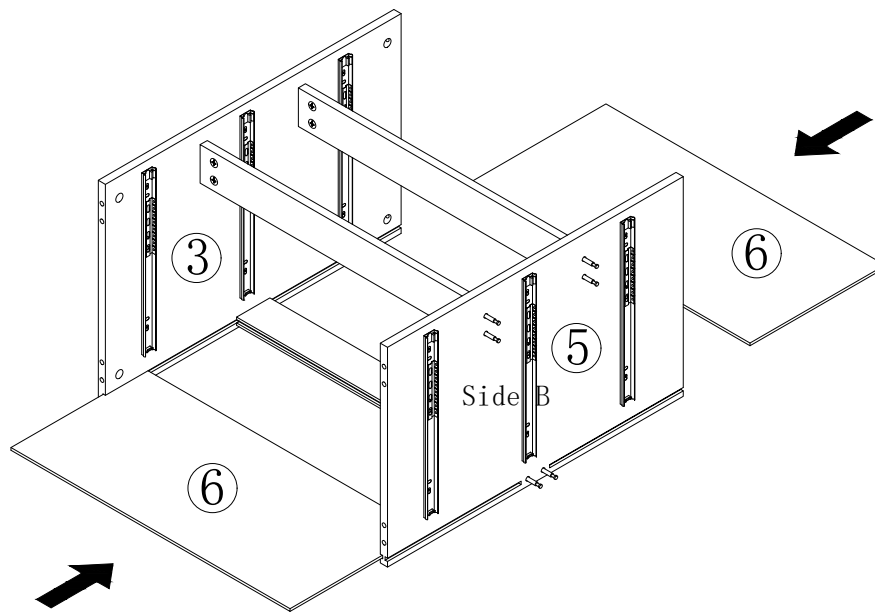
# Assembly Steps (EN) /Montageschritte (DE)

## Step 12

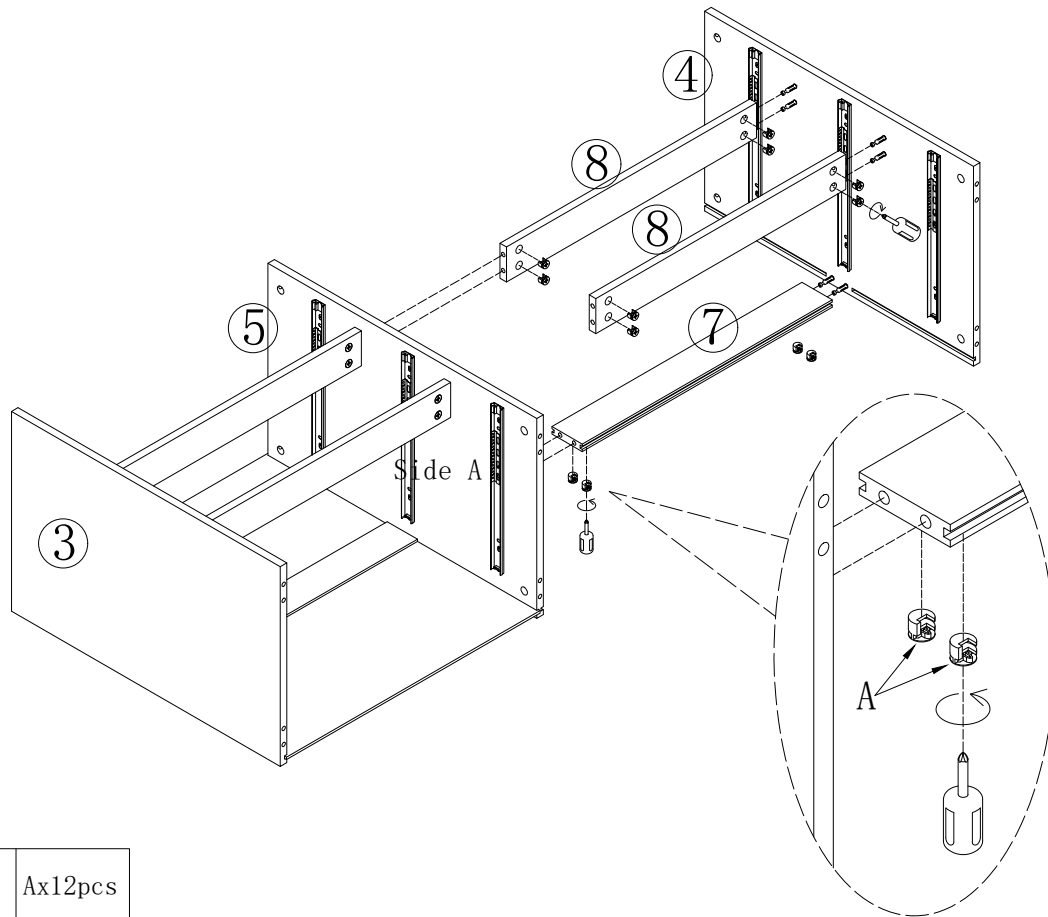


	Cx6pcs
	Ax12pcs

## Step 13

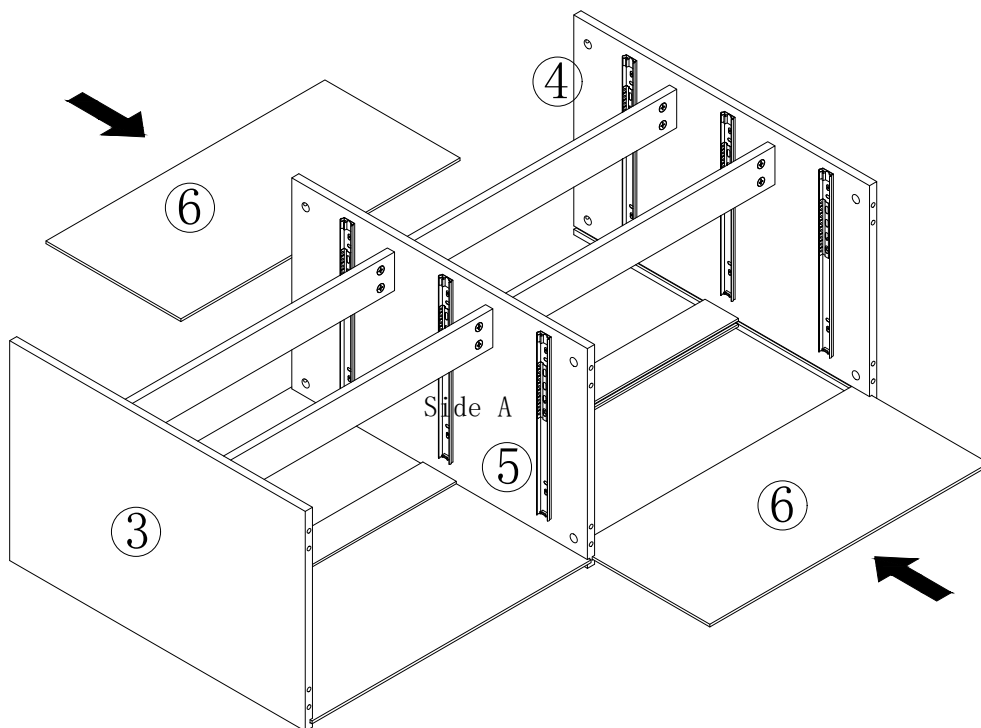


Step 14



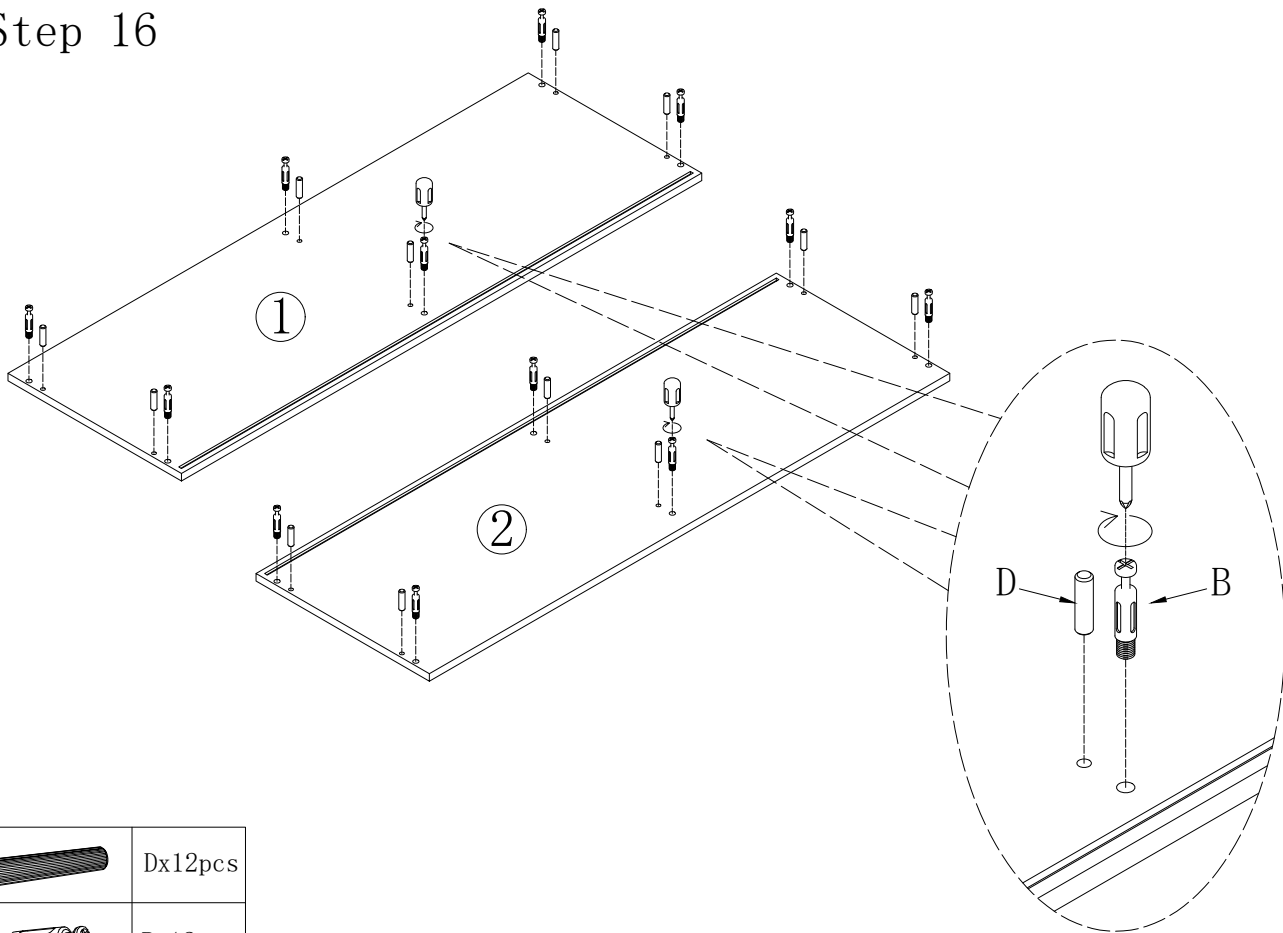
Ax12pcs

Step 15



# Assembly Steps (EN) /Montageschritte (DE)

## Step 16

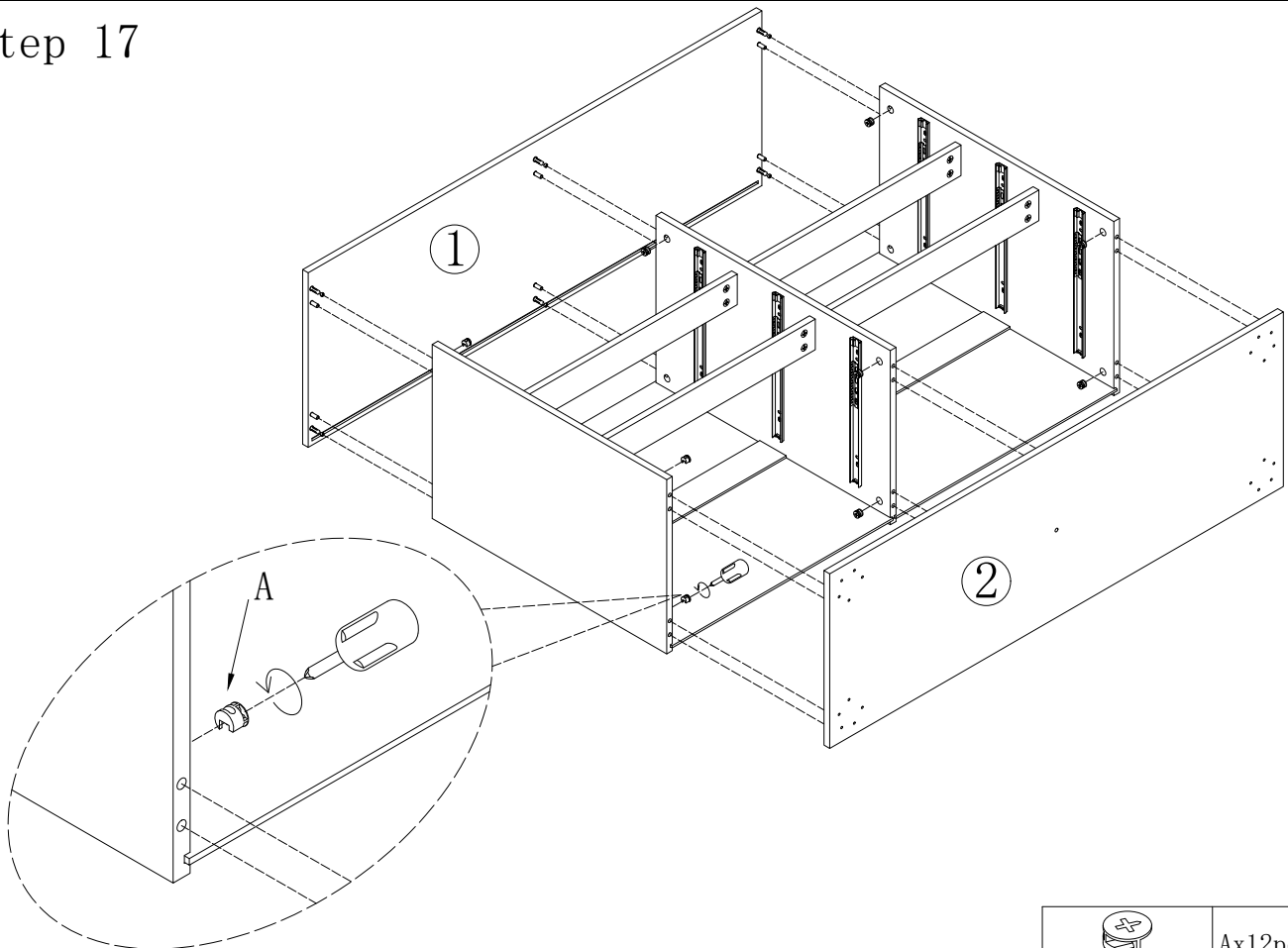


Dx12pcs



Bx12pcs

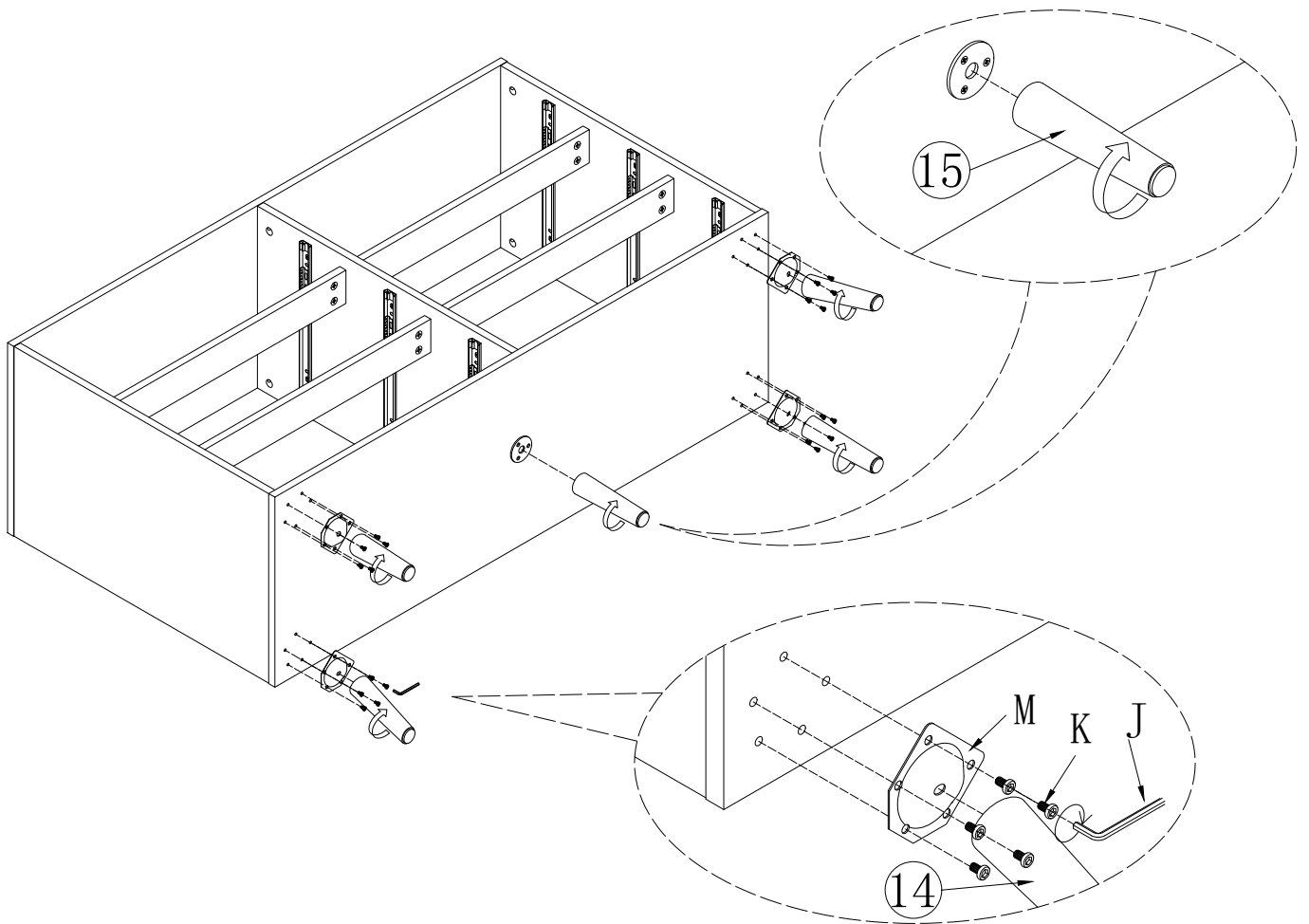
## Step 17


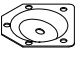



Ax12pcs

# Assembly Steps (EN) /Montageschritte (DE)

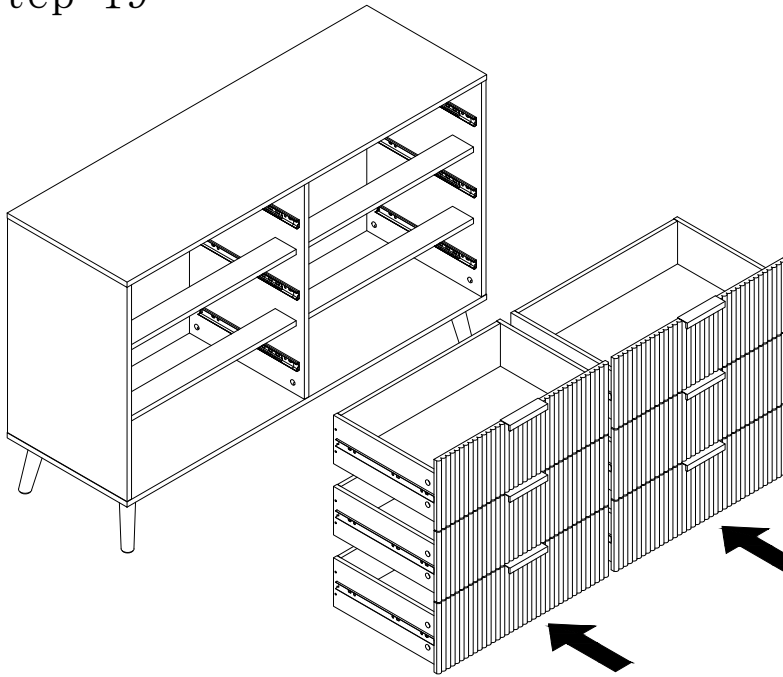
## Step 18



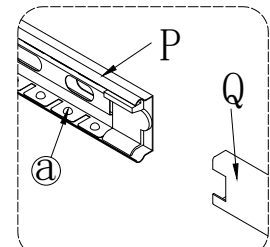
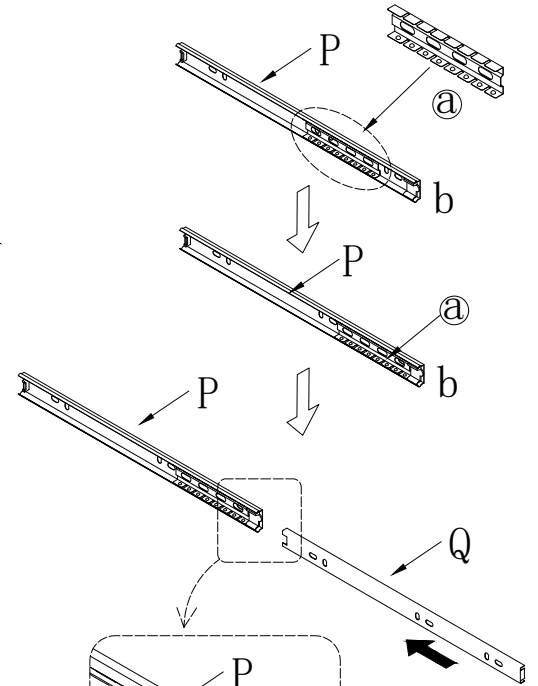
	Kx20pcs
	Mx4pcs
	Jx1pcs

# Assembly Steps (EN) /Montageschritte (DE)

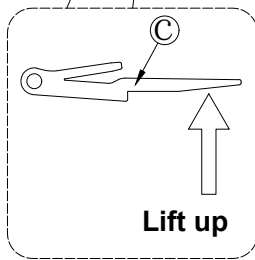
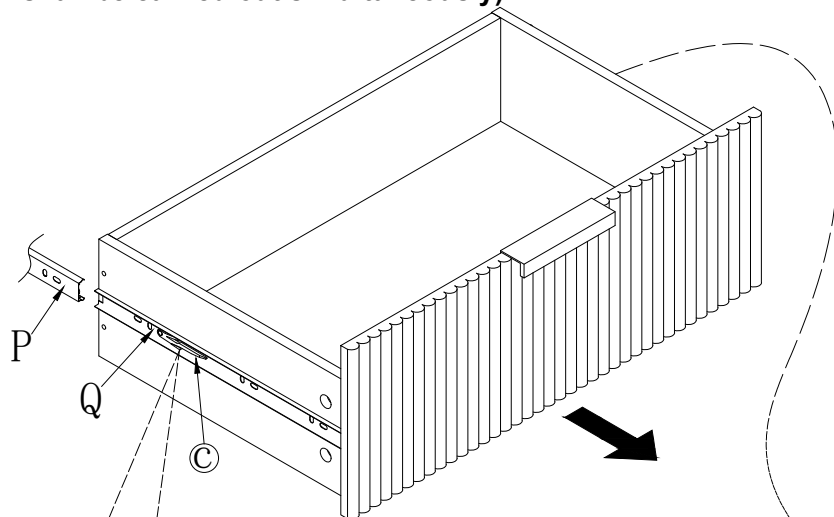
## Step 19



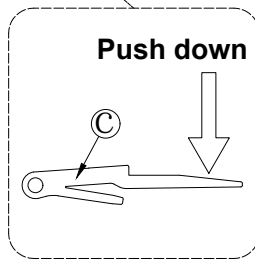
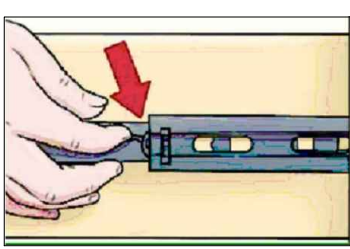
- (1)、 When putting the drawer into the cabinet, first, push the "a" part of P to "b", then point the end of Q at "b", finally, put the drawer into the cabinet as shown in "Sample A";
- (2)、 When removing the drawer, press "Sample B" and "Sample C" as shown, lift the left side of the drawer C part, press the right side of the drawer C part, and pull out the drawer. (The operation of "Sample B" and "Sample C" shall be carried out simultaneously)



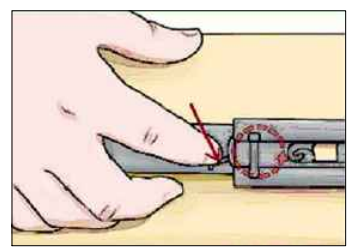
**Sample A**



**Sample B**

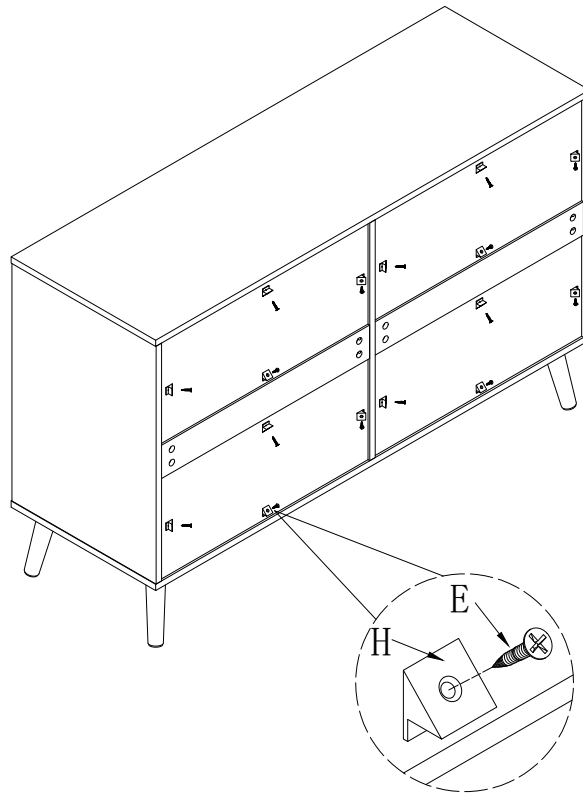




**Sample C**



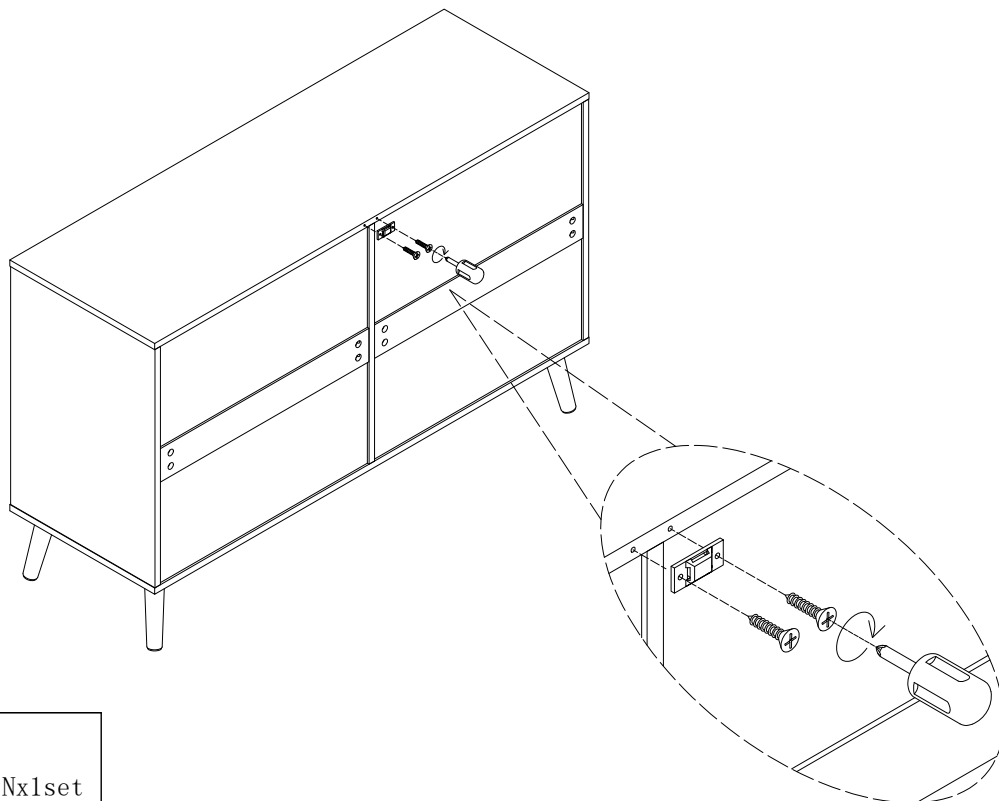
# Assembly Steps (EN) /Montageschritte (DE)


## Step 20



	Ex16pcs
	Hx16pcs

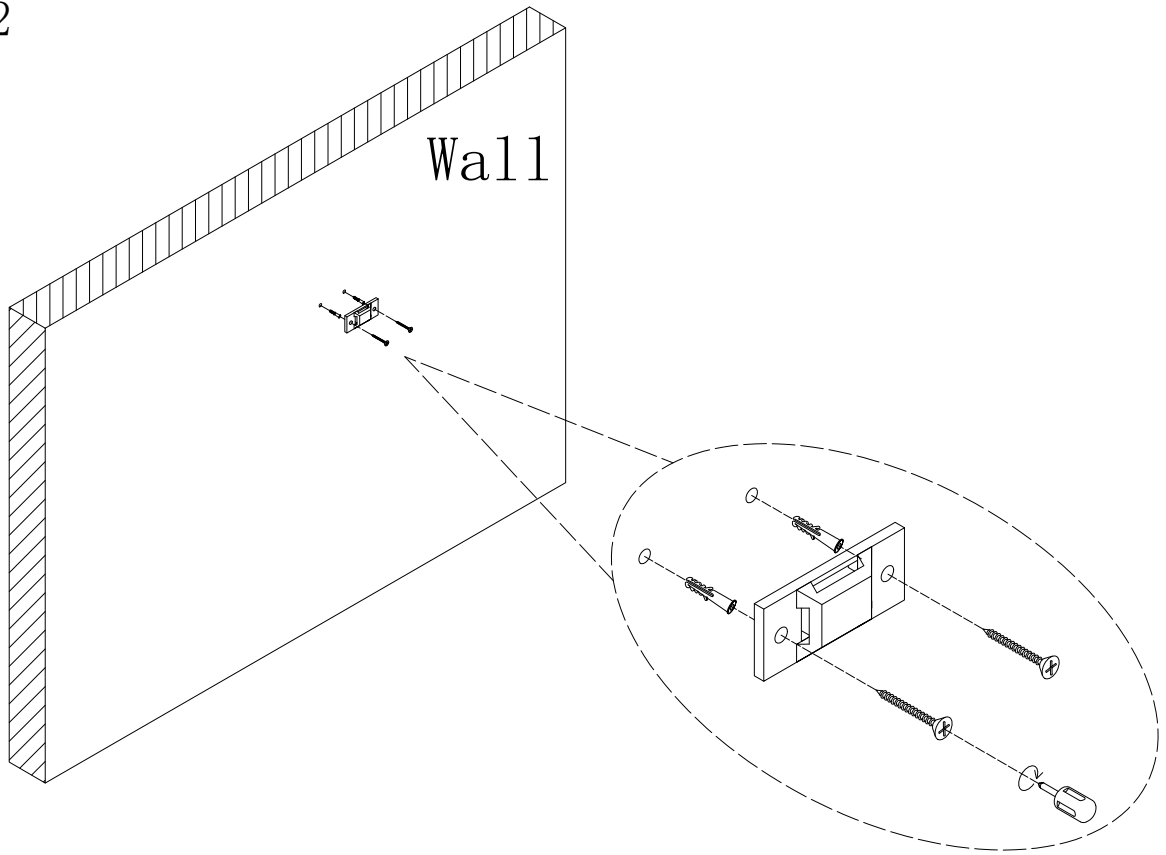
## Step 21



	Nx1set
---	--------

# Assembly Steps (EN) /Montageschritte (DE)

Step 22



Step 23

