

ASSEMBLY INSTRUCTIONS



Fine Furniture for every stage of life

SOFA

ASSEMBLY INSTRUCTIONS

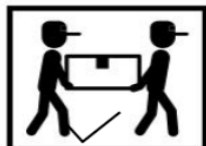
ASSEMBLY TIPS:

- 1.Remove plastic legs from sofa bottom and sort by size.
- 2.Please check to see that parts are present prior to start of assembly.
- 3.Please follow attached instruction in the same sequence as numbered to assure fast & easy assembly.



WARNING!

- 1.Don't attempt to repair or modify parts that are broken or defective. Please contact the store immediately.
- 2.This product is for home use only and not intended for commercial establishment.

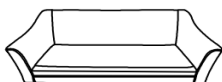


ASSEMBLY TIME

8 MINUTES

PARTS IDENTIFICATION

A BASE



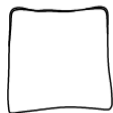
1PC

~~Ó~~ SIDE ~~Á~~ BACK CUSHION



2PCS

~~Ô~~ ~~Á~~ ~~Ö~~ ~~Ö~~ ~~Ö~~ ~~Á~~ BACK CUSHION



1PC

~~Đ~~ SEAT CUSHION



3PCS

E PILLOW



2PCS

F PLASTIC LEG



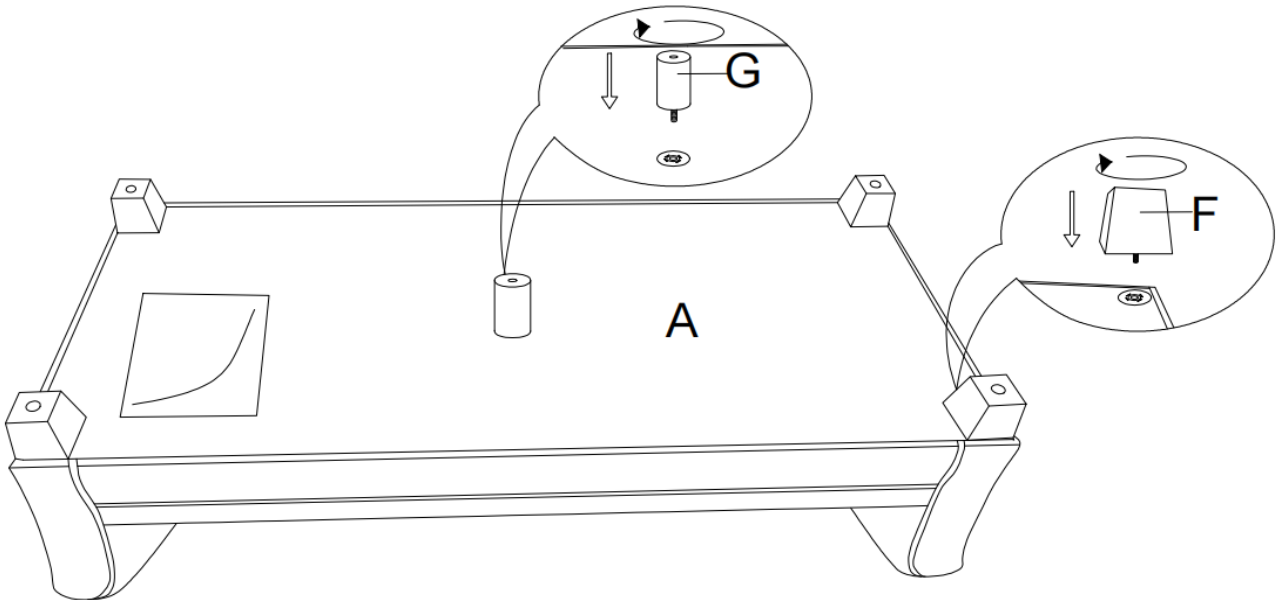
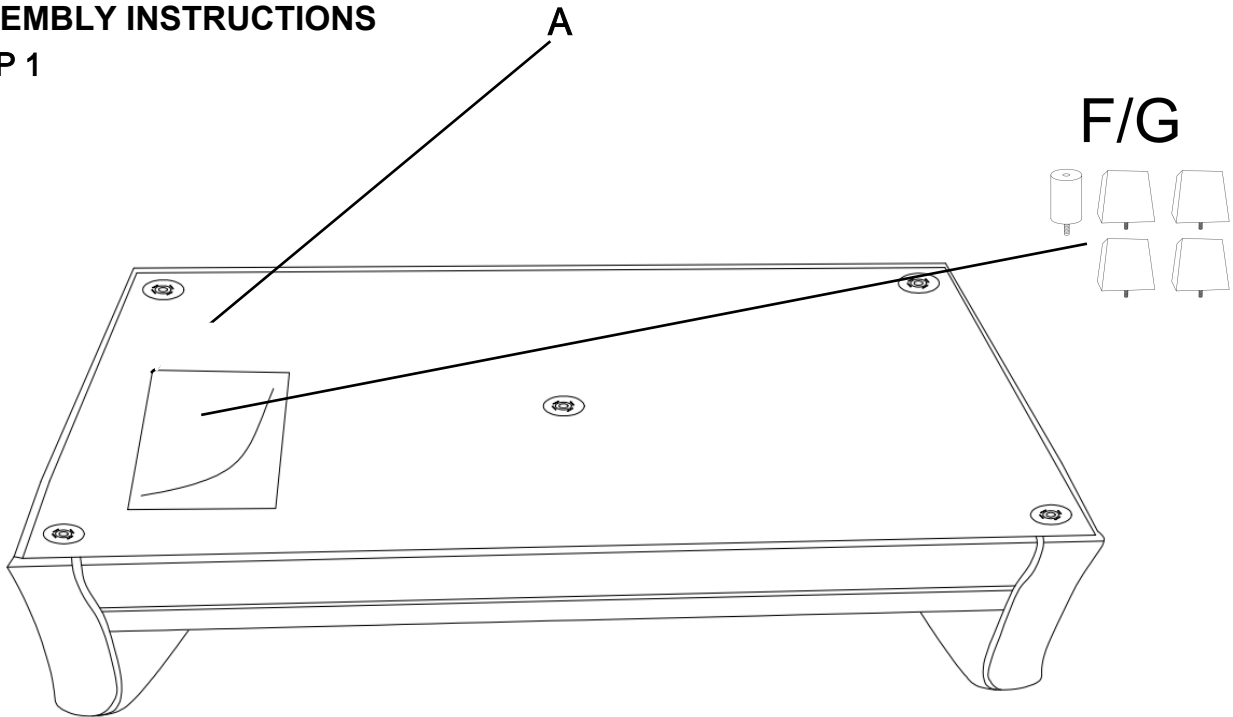
4PCS

G MIDDLE PLASTIC LEG

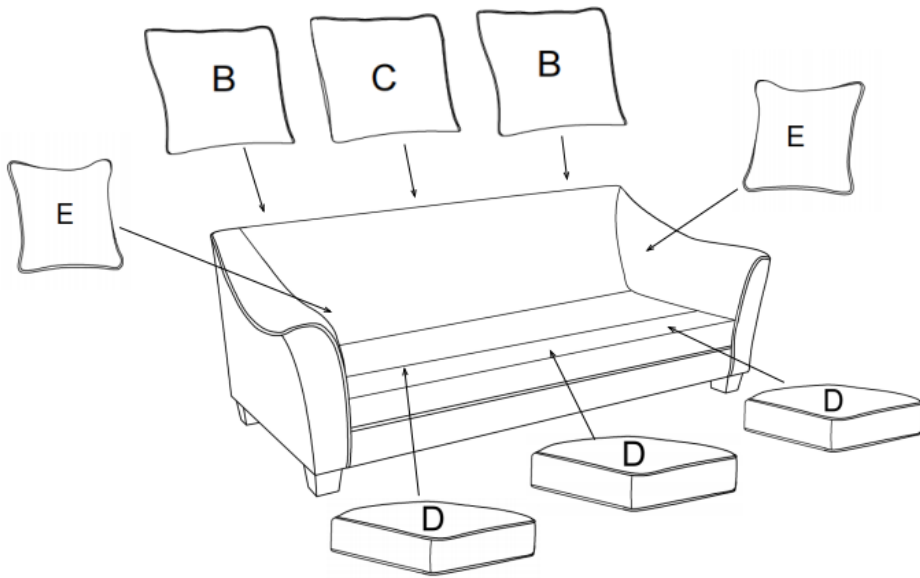


1PC

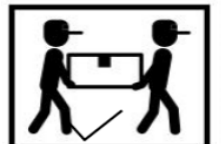
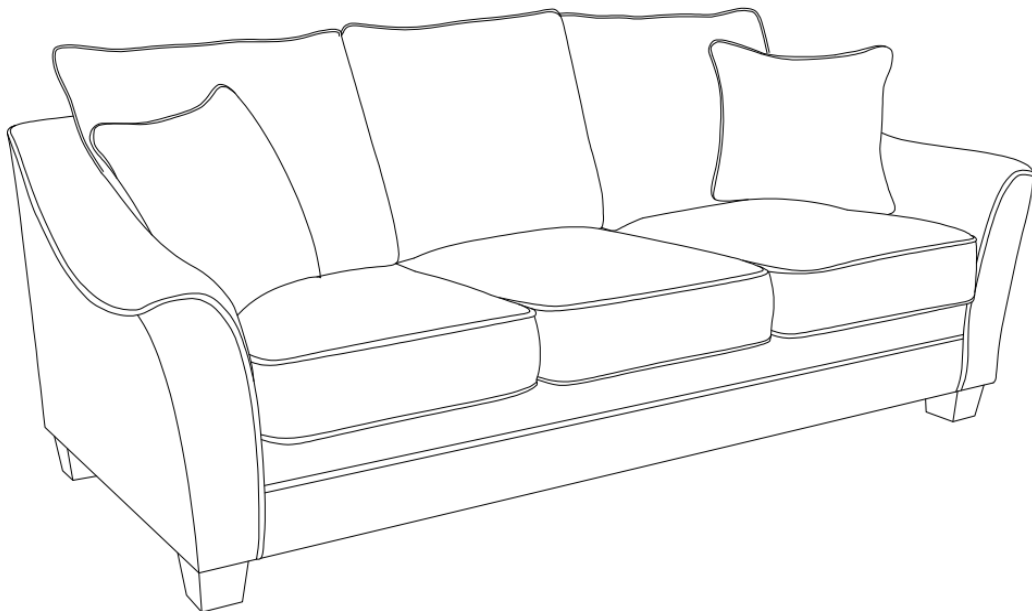
ASSEMBLY INSTRUCTIONS
STEP 1



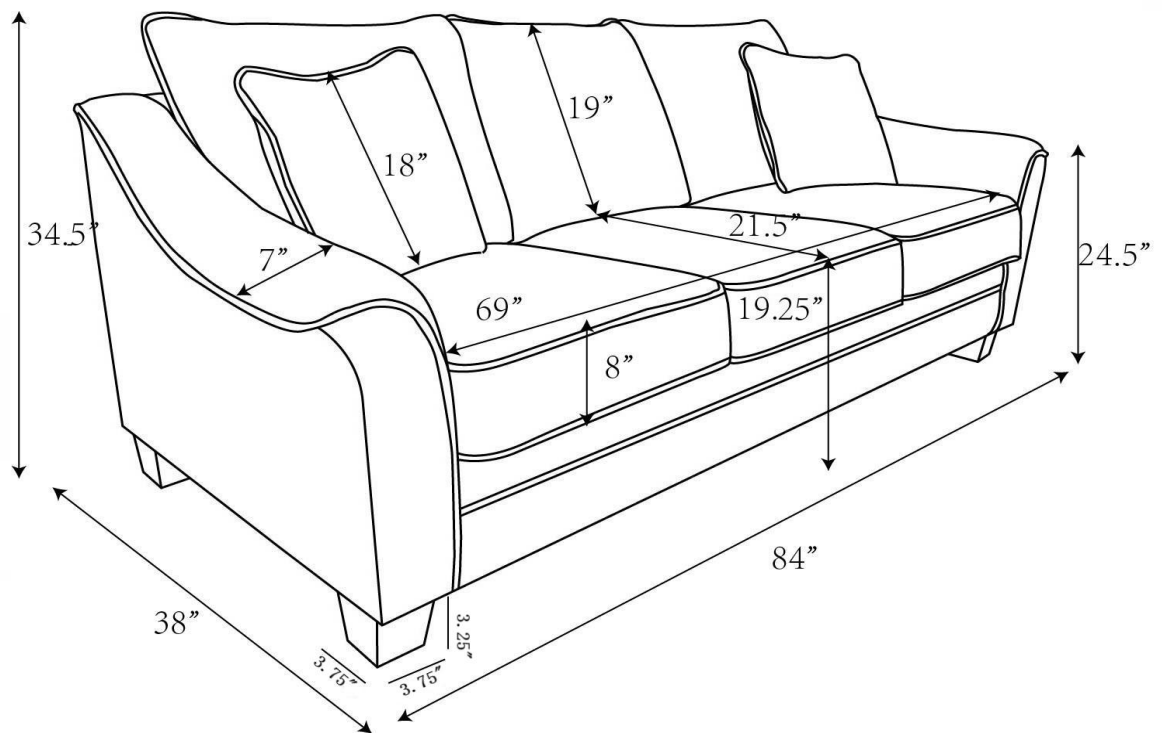
ASSEMBLY INSTRUCTIONS
STEP 2



STEP 3 Assembly completed



ASSEMBLY INSTRUCTIONS



Note: Dimension tolerance $\pm 5\%$

ASSEMBLY INSTRUCTIONS



Fine Furniture for every stage of life

LOVESEAT

ASSEMBLY INSTRUCTIONS

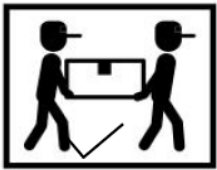
ASSEMBLY TIPS:

- 1.Remove plastic legs from loveseat bottom and sort by size.
- 2.Please check to see that all parts are present prior to start of assembly.
- 3.Please follow attached instruction in the same sequence as numbered to assure fast & easy assembly.



WARNING!

- 1.Don't attempt to repair or modify parts that are broken or defective. Please contact the store immediately.
- 2.This product is for home use only and not intended for commercial establishment.

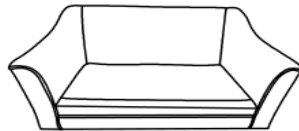


ASSEMBLY TIME

5 MINUTES

PARTS IDENTIFICATION

A BASE



1 PC

B SEAT CUSHION



2PCS

C BACK CUSHION



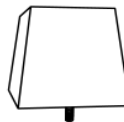
2PCS

D PILLOW



2PCS

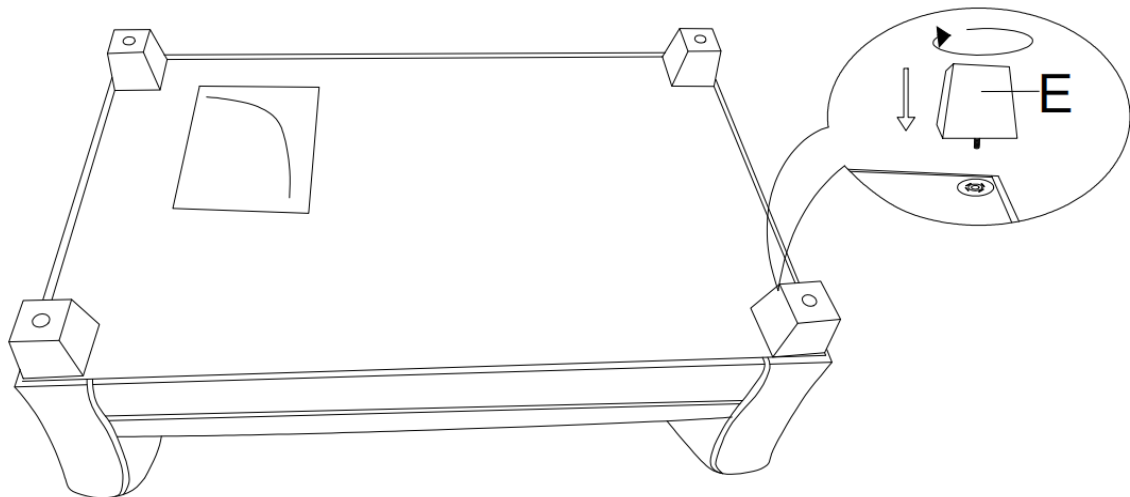
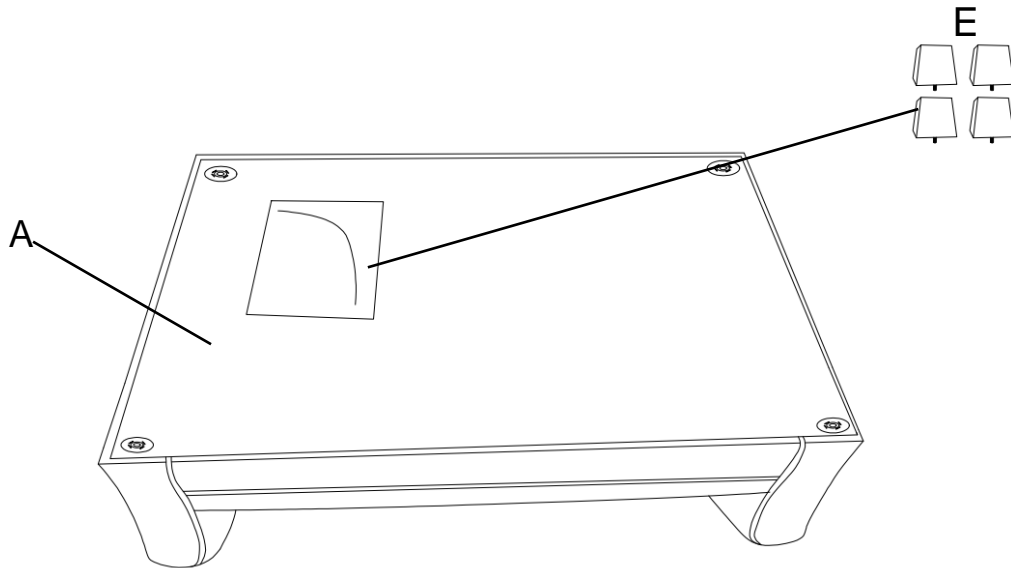
E PLASTIC LEG



4PCS

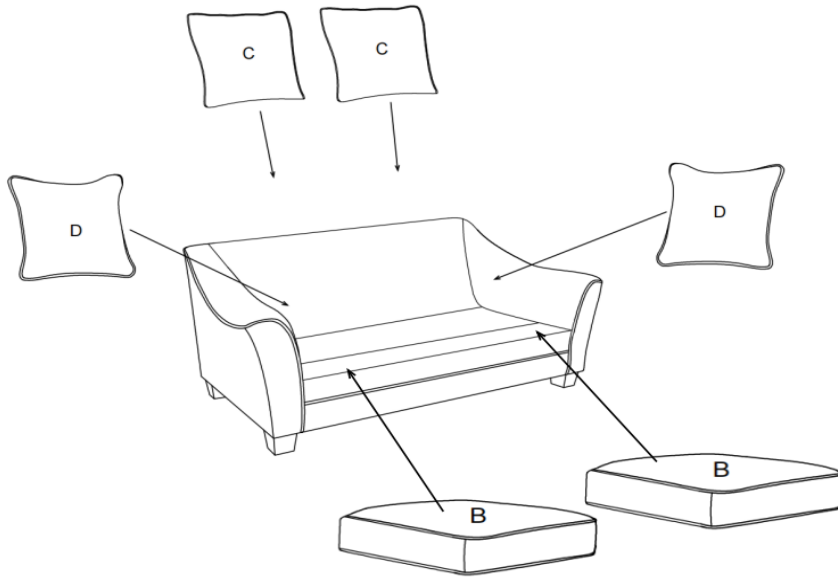
ASSEMBLY INSTRUCTIONS

STEP 1

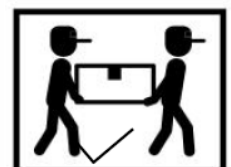
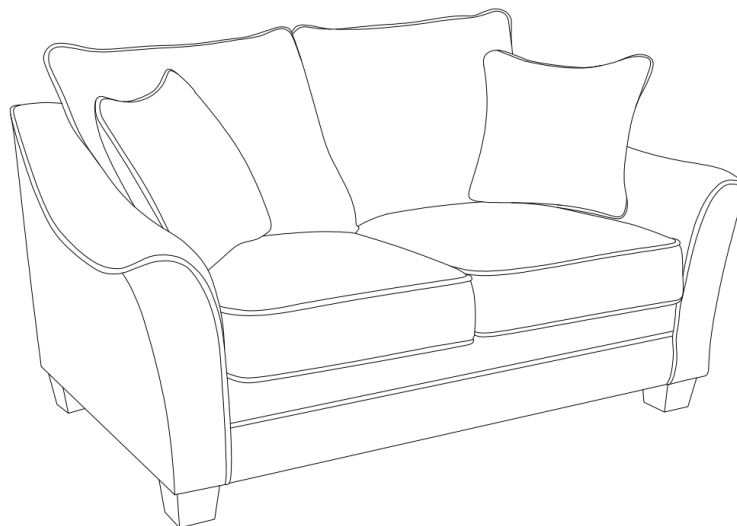


ASSEMBLY INSTRUCTIONS

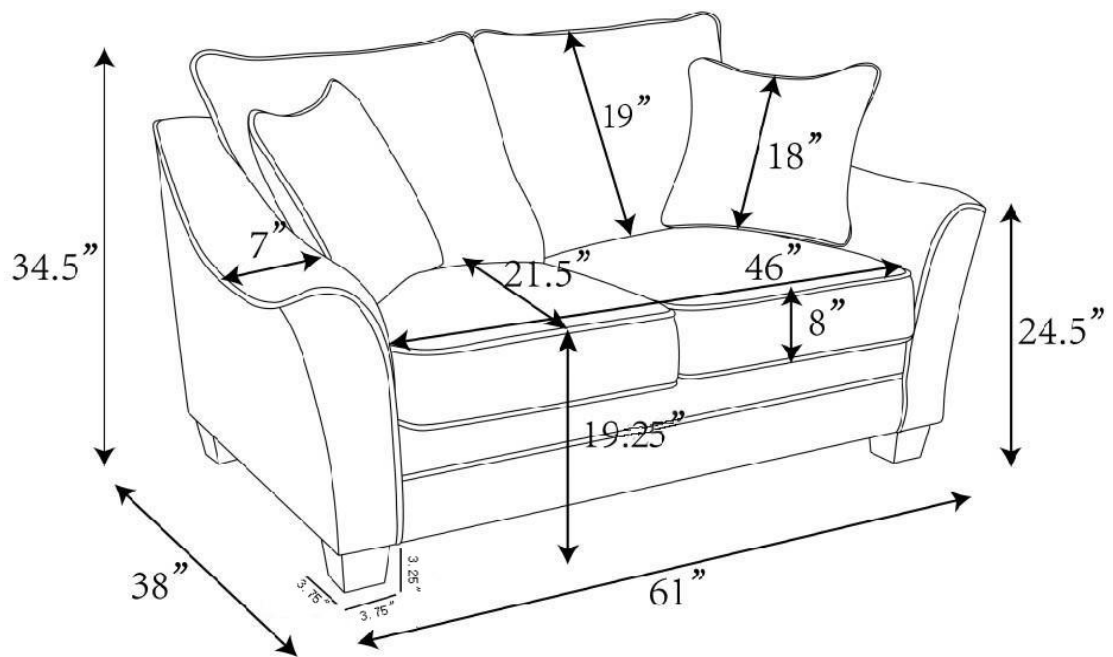
STEP 2



STEP 3 Assembly completed



ASSEMBLY INSTRUCTIONS



Note: Dimension tolerance $\pm 5\%$