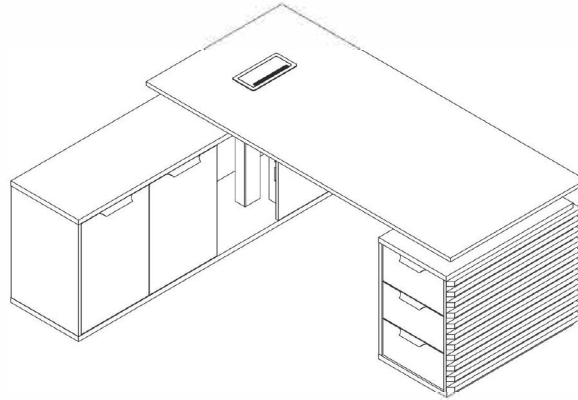


ASSEMBLY INSTRUCTION

EXECUTIVE LEFT TABLE WITH FIXED SIDE CABINET

(WITH LIFT)

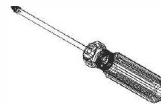
This instruction suitable for 180*160*76cm



PRE-ASSEMBLY PREPARATION

Before you start:

1. Choose a clean & spacious assembly area, avoid hard surfaces that may damage the product.
2. Take care when lifting product. It should be assembled as near as possible to the point of use.
3. Ensure that you have all required contents for complete assembly.
4. Always read the assembly instructions carefully before beginning assembly.
5. Keep all hardware parts and packing material out of children.
6. Do not over tighten the screws and bolts as this may damage threads.
7. It would take 2 hrs and 30 minutes when 2 people required.
8. Additional Tools required is screw-driver.



Serious or fatal injuries may occur from furniture toppling over.

For security, please follow the below recommendations:

- Never allow children to climb on or hang off of any part of this product
- Unless specifically designed to accommodate, do not set TVs or other heavy objects on top of this product

If this product has drawers:

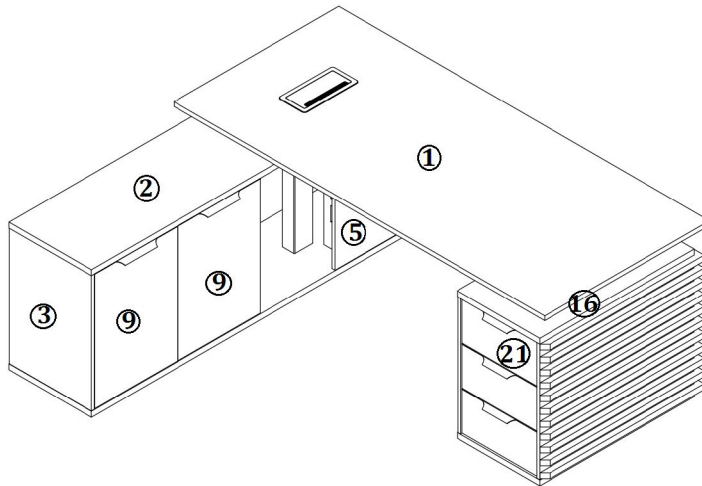
- Place the heaviest items in lowest drawers
- Do not open more than 1 drawer at a time as this may cause the product to become unbalanced
- Do not tamper with or remove any drawer interlocking/sliding system
- Please use this product with caution
- This is a permanent label. Do not attempt to remove!

PRODUCT CHECK

Upon receiving the furniture, please check product size, carton quantity and the direction of the side cabinet's location is correct prior to assembly.

The N2801 executive table set should be packaged in 6 cartons. The shipping mark to be show on 6-1, 6-2, 6-3, 6-4, 6-5 & 6-6.




PARTS LIST



Panel No.	Panel Size (CM)	Qty
1	180*80*6	1
2	160*40*2.5	2
3	57*39.8*1.5	2
4	57*36.4*1.5	1
5	57*40*1.5	1
6	78.7*36.4*1.5	1
8	156.8*57*1.5	1
9	56.6*40*1.5	2
10	57*12*1.5	1
15	97.8*30*1.5	1

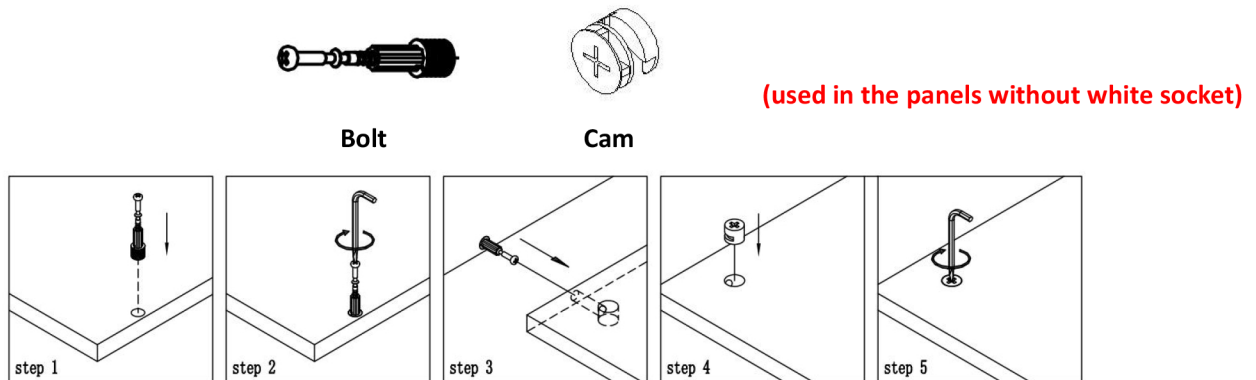
Panel No.	Panel Size (CM)	Qty
16	40*75*2.5	2
17	57*39.8*1.5	1
18	57*73.3*1.5	2
21	36.4*18.5*1.5	3
22	30*11.8*1.5	6
23	31*11.8*1.5	3
24	32*29.4*0.4	3
Stainless steel tube	2.5*2.5*77.3	11
	2.5*2.5*140.2	11
LIFT FRAME		1

Accessories list (put in Ctn No.6-4)

No.	Name	Size(mm)	QTY	Drawing
A	3 in 1 minifix- Bolt (Red)	40	68	
	3 in 1 minifix-Cam	∅ 15	68	
B	Hinge-Full overlay		2	
D	Hinge-Inset		2	
E	Short handle for cabinet	398	2	
F	Long handle for drawer	362	3	
G	Socket		3	
H	Cable grommet	266*130	1	
I	Drawer Slide	12 inch	3	
J	Dowel	8*40	12	
K	Connecting Bolt	6*25	45	
L	Short Screw	3.5*14	88	
M	Long Screw	3.5*35	12	
N	Furniture glide nail	26	20	
O	Shelf support pin	5	4	
P	Connecting Bolt	8*20	6	
Q	Connecting Bolt	6*40	8	
R	Gasket	8*20	6	
S	Fixed plate for lift leg		4	

GENERAL ASSMEBLY DETAILS:

How to use 3 in 1 Mini-Fix Cam & Pins (Accessory A in Red) Fasteners



Cam lock fasteners are used to join two pcs boards together.

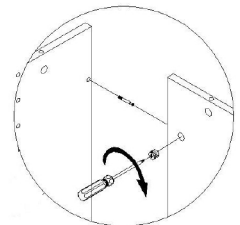
1. Using a screw driver or cordless drill, do not over tighten Bolts.
2. Use a flathead screwdriver to turn and tighten the Cam lock in a clockwise direction until the head of the pin is tightly secured. **DO NOT USE A CORDLESS DRILL**

How to use 3 in 1 Mini-Fix Cam & Pins (Accessory A in Black) Fasteners



Cam lock fasteners are used to join two pcs boards together.

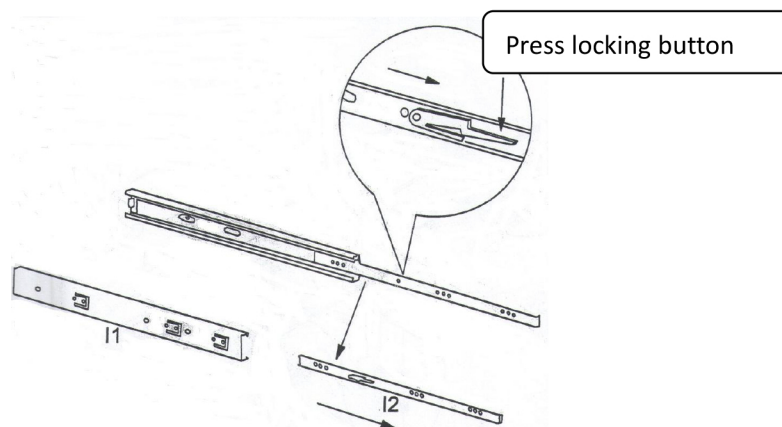
3. All white sockets have been pre-installed in the boards to secure the bolts
4. Using a screw driver or cordless drill, do not over tighten Bolts.
5. Use a flathead screwdriver to turn and tighten the Cam lock in a clockwise direction until the head of the pi is tightly secured. **DO NOT USE A CORDLES DRILL**



How to separate drawer sliders?

The drawer slide I1 & I2 may be connected.

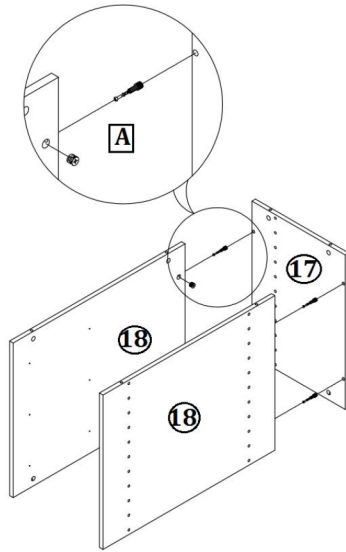
Carefully pull out slide part I2 and press the plastic clip/lever to unlock to fully separate the two parts of the runner.



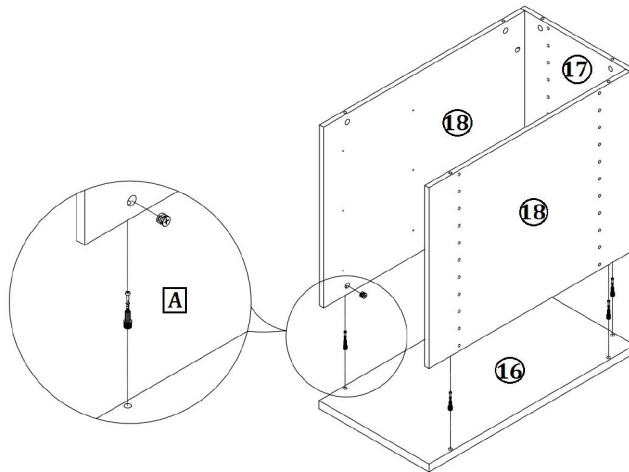
START TO ASSEMBLE

Step 1: Assemble small cabinet

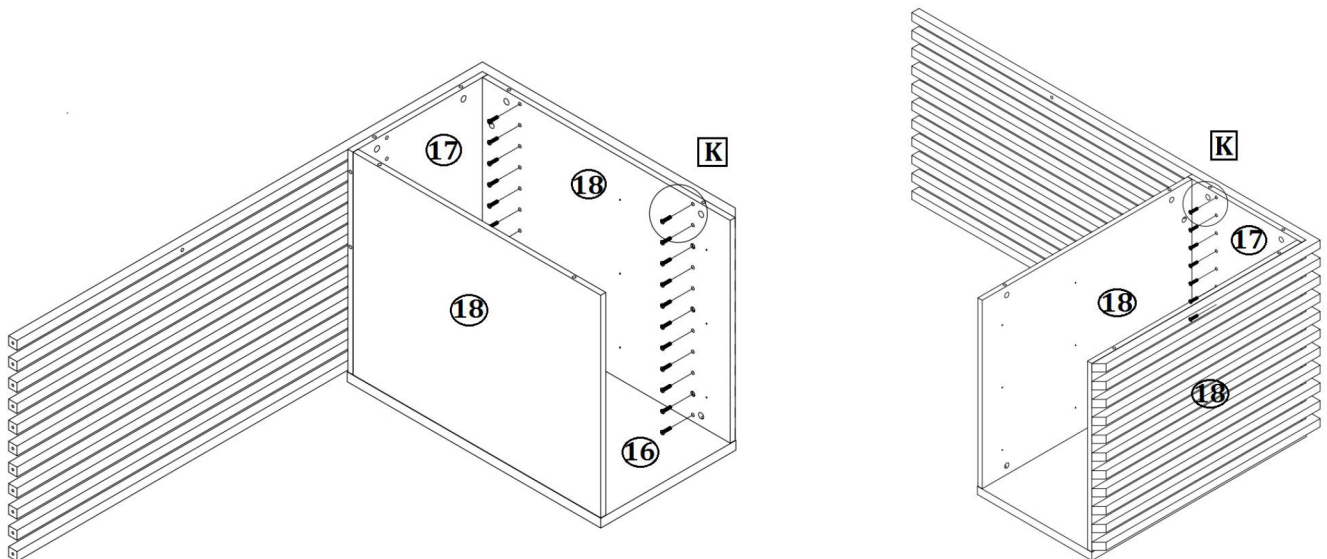
(1) Unpack Carton 6-4, Secure Red A bolts into panel No. 17, connect panel No.17 & 18 and tighten camlocks.



(2) Secure Red A bolts into bottom panel No. 16, connect panel No.16, 17 & 18 and tighten camlocks.

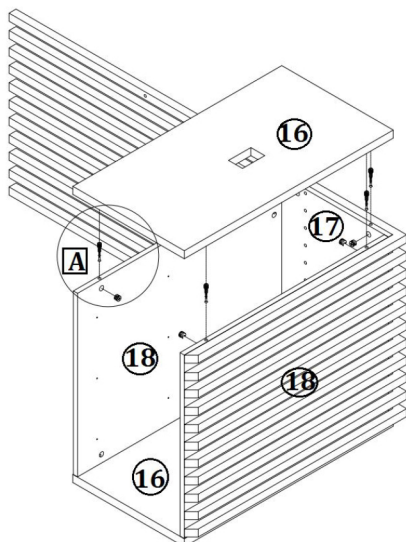


(3) Unpack Carton 6-5. Tighten stainless steel tube on Panel No.17 & 18 with K connecting bolt.

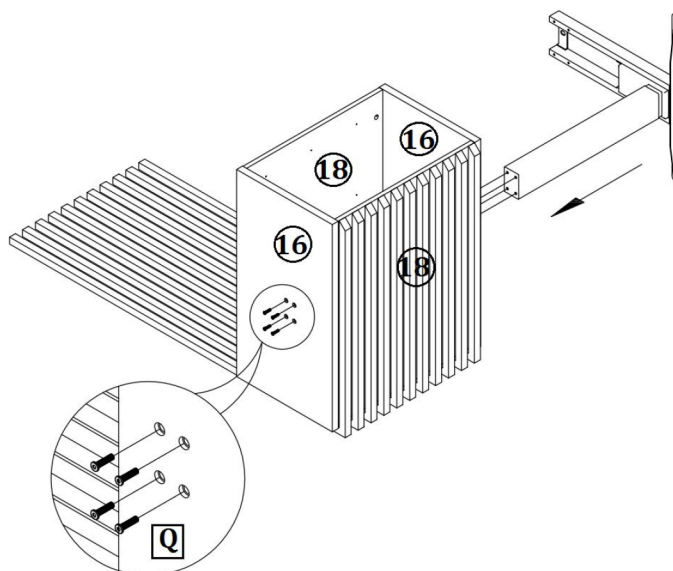


(4) Install A Bolts to Top Panel No.16.

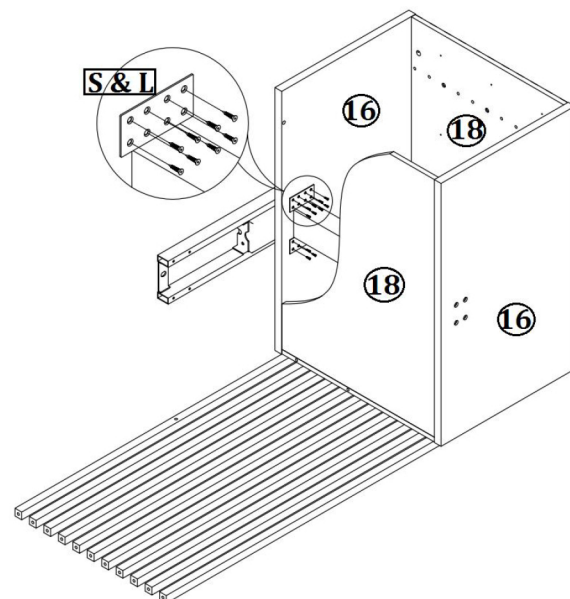
Push A-bolt of panel No.16 into holes in panel No.17, 18 and then tighten A CAM on panel No.17, 18.



(5) Insert half of the lift leg vertically into panel No. 16, and secure with screw Q(6*40mm).

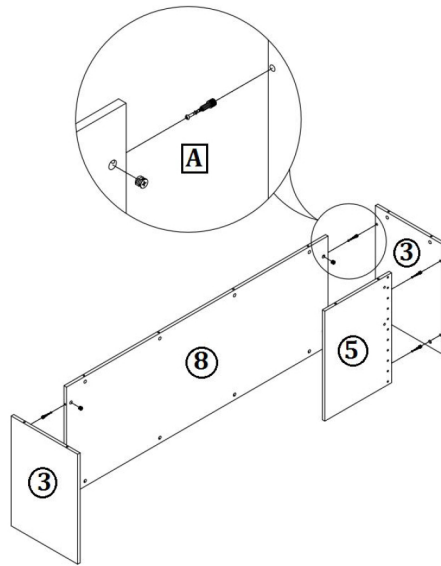


(6) Adjust the lift leg and then fix the lift leg with panel No.16 by plate S & screw L(3.5*14mm).



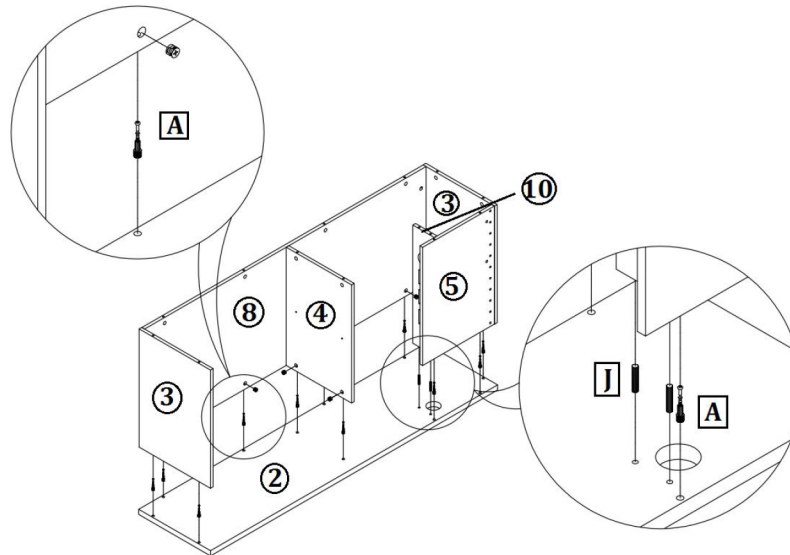
Step 2: Assemble long side return

(1) Unpack Carton 6-2 & 6-3, Install A Bolts to Panel No.3, and tighten camlocks to connect Panel No. 3,5 & 8.



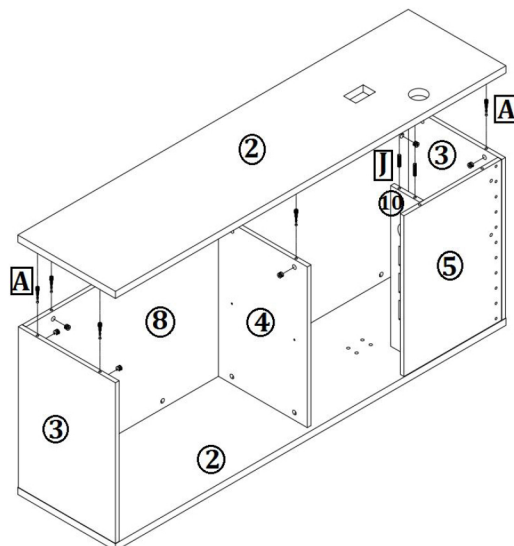
(2) Install A Bolts to bottom Panel No.2, Knock J dowel into holes which connect Panel No.2 & 10.

Push A-bolt of panel No.2 into holes in panel No.3, 4, 5, 8 and then tighten A CAM on panel No.3, 4, 5, 8.

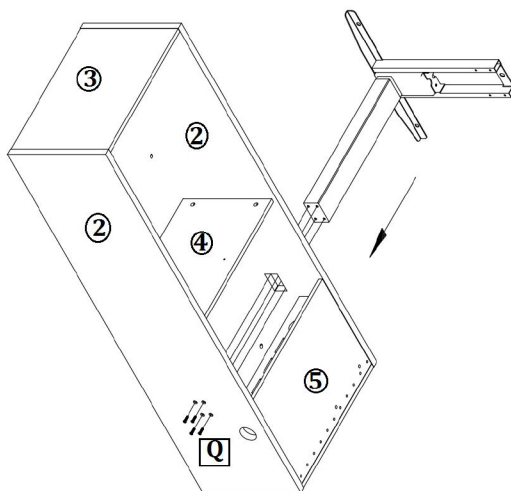


(3) Install A Bolts to Top Panel No.2, Knock J dowel into holes which connect Panel No.2 & 10.

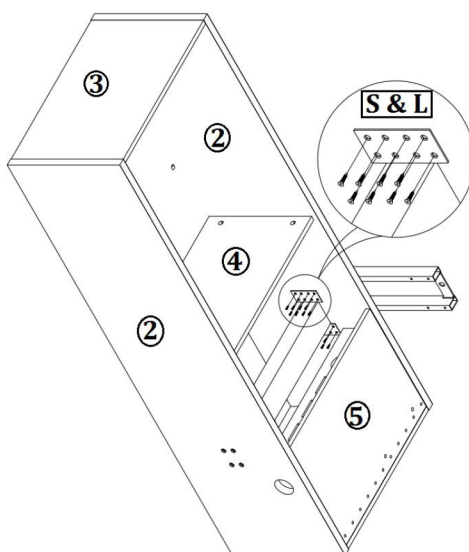
Push A-bolt of panel No.2 into holes in panel No.3, 4, 5, 8 and then tighten A CAM on panel No.3, 4, 5, 8.



(4) Insert another half of the lift leg vertically into panel No. 2, and secure with screw Q(6*40mm).

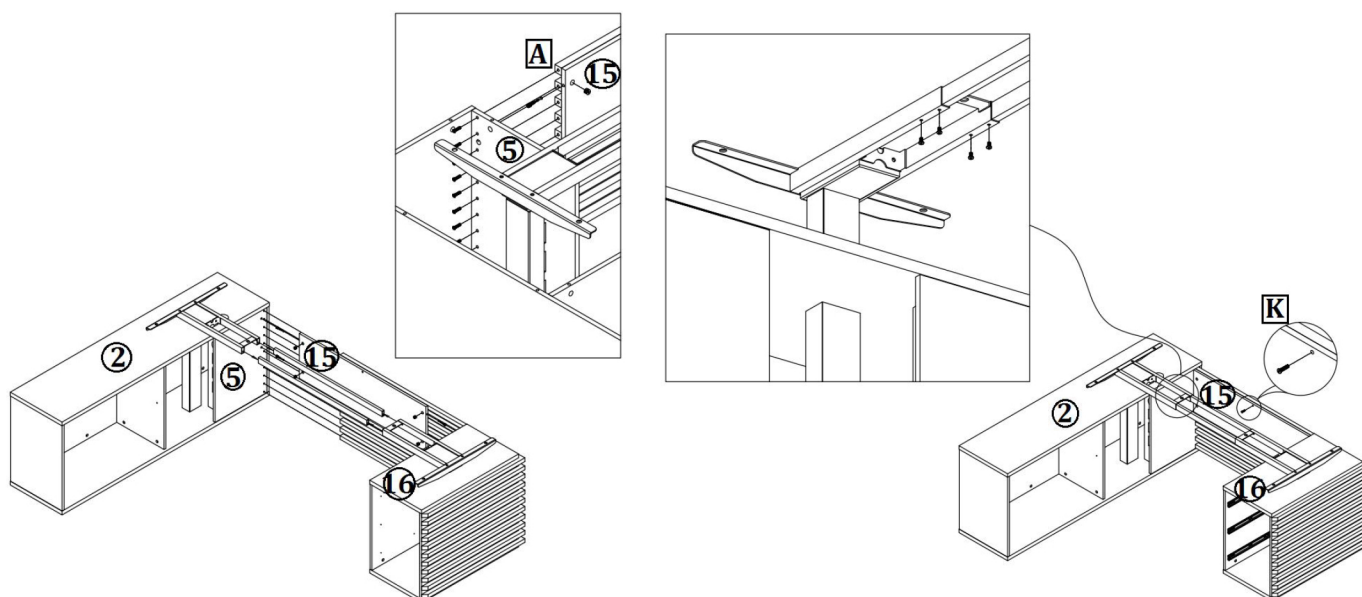


(5) Adjust the lift leg and then fix the lift leg with panel No.2 by plate S & screw L(3.5*14mm).



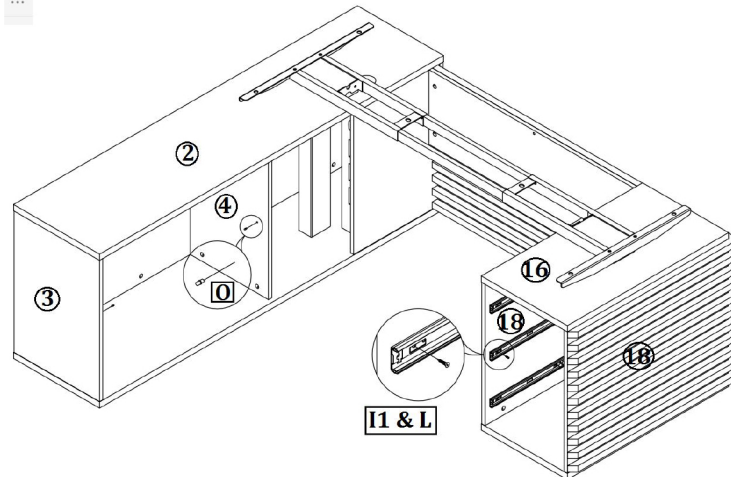
Sept 3: Assemble front panel & stainless steel tube

(1) Take out front Panel No.15 from Ctn No. 6-3, connect it with Panel No.5 & 18 by accessory A as below drawing. Tighten stainless steel tube on Panel No.5 and then Panel No. 15 with K connecting bolt.

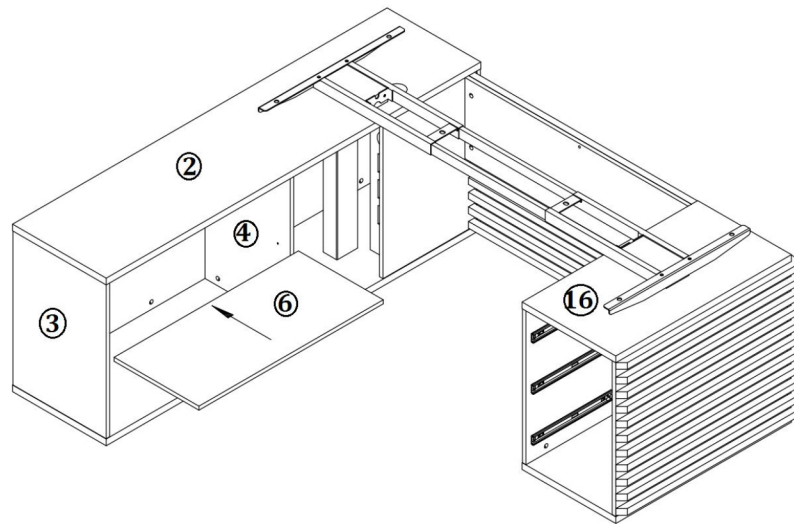


Step 4: Assemble drawer and door panels.

(1) Separate runner slides (12 inches) into two parts as beginning of instruction. Screw slide I1 onto the guiding holes of Panel No.18 by L screw (3.5*14mm) tightly.



**(2) Insert the support pins No.O into holes located on panel 3 and 4.
Insert and rest the shelf panel No.6 onto the pins.**



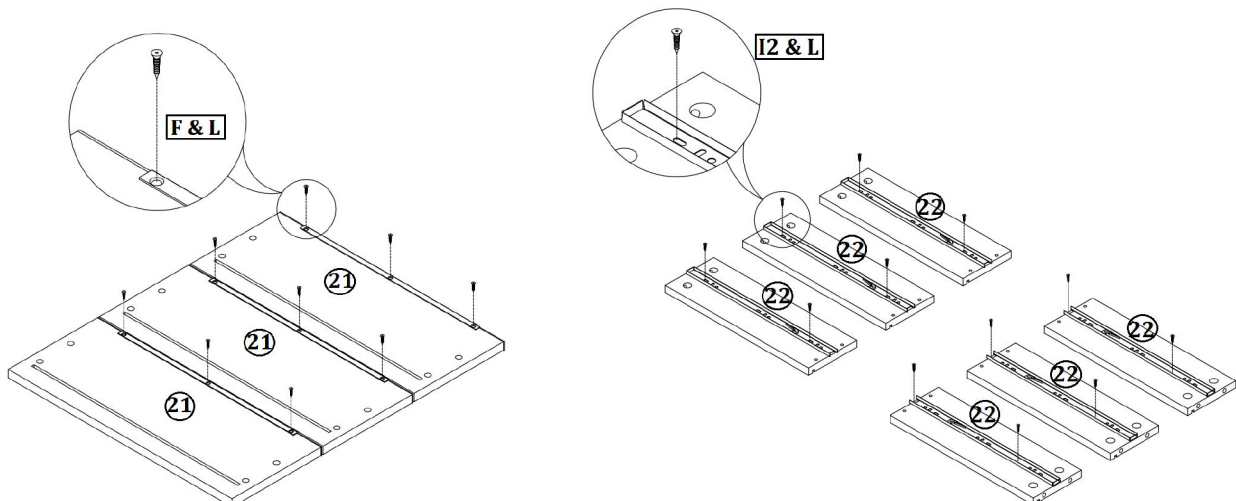
(3) Screw I2 runner slide onto No.22 panel with L screw (3.5*14).

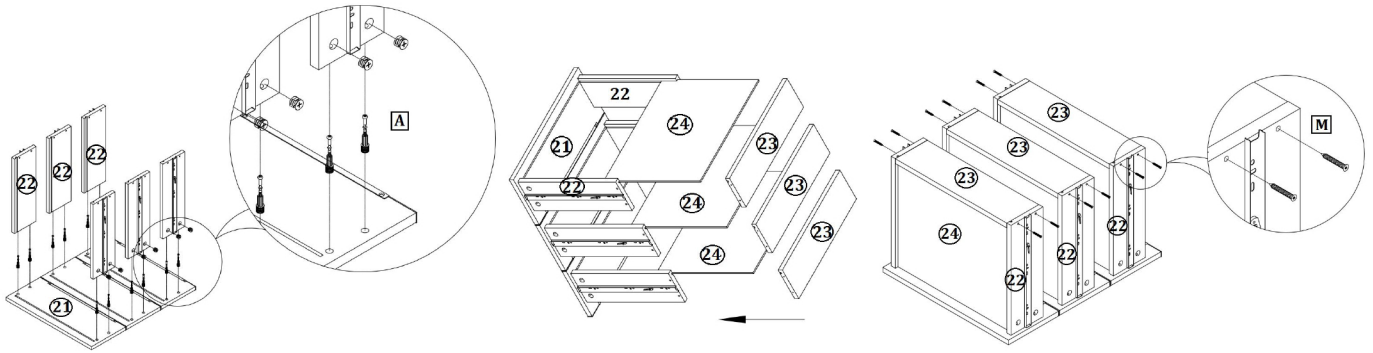
Assemble the handle F on panel No. 21 by screw L.

No.21 panel should be fixed with No.22 panels by A-bolts & CAM.

No.24 panel should be inserted into slot of No.22 panels.

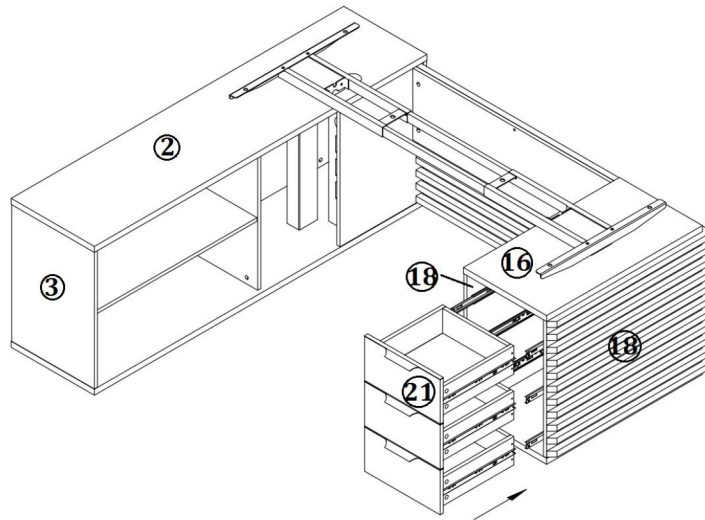
Connect No.22 panels and No.22 panel by M screws (3.5*35mm)





(4) Push I2 slide on the drawer into I1 slide on small cabinet.

If drawers cannot move smoothly or fully close, press locking button on slide I2, fully separate, and insert the slide again.

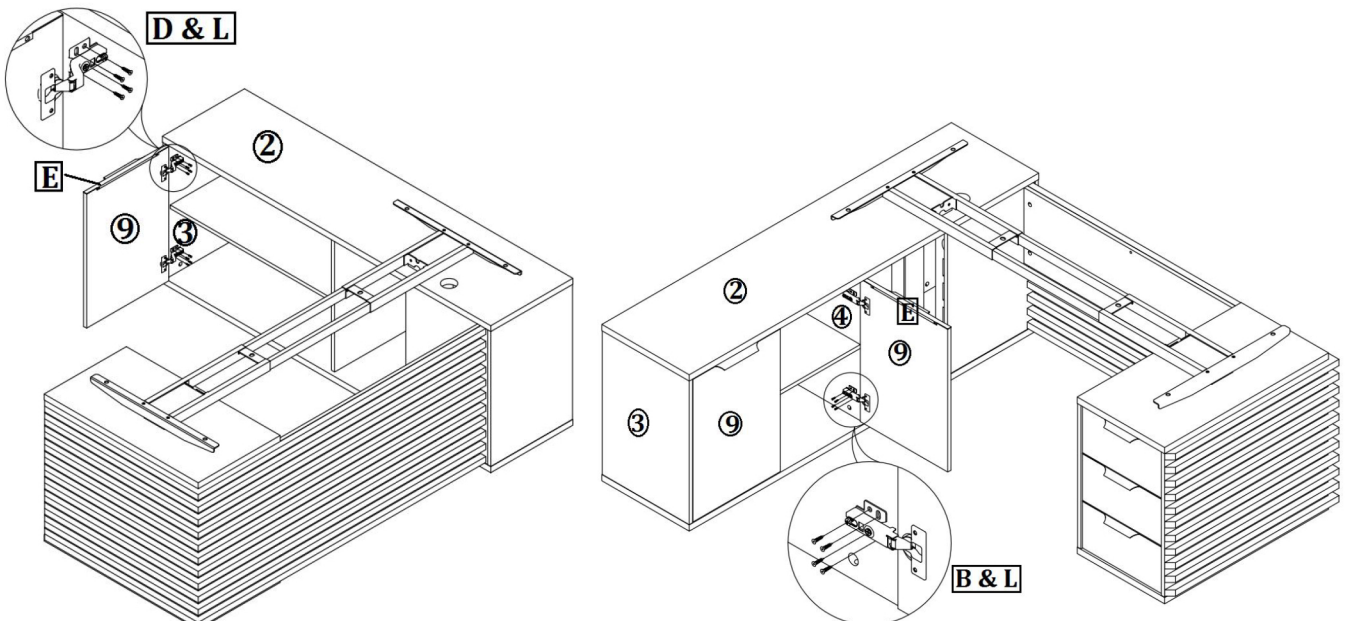


(5) Assemble cabinet handle E & hinges B,D using screws L.

Assemble the cabinet door Panel No.9 onto Panel No.3 by hinges D & screws L;

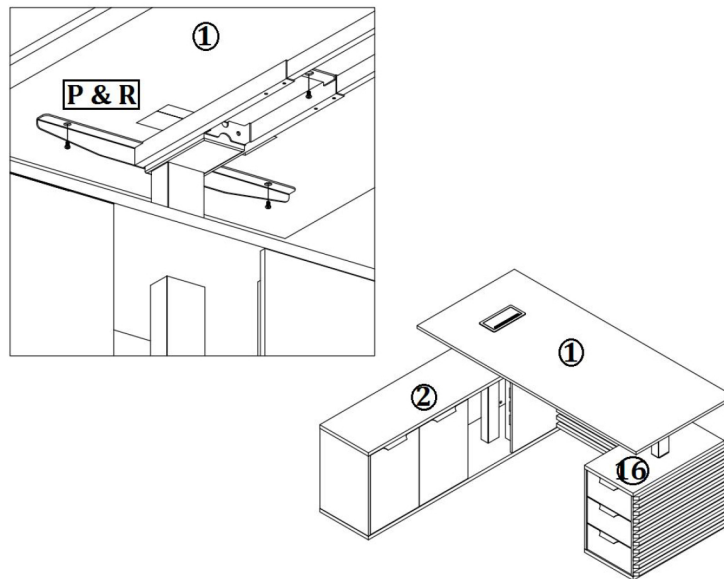
Assemble the cabinet door Panel No.9 onto Panel No.4 by hinges B & screws L.

NOTE: There are 2 different hinge types: B is Hinge-Full overlay; D is Hinge-Inset. Ensure to use the correct hinge for the correct panel.

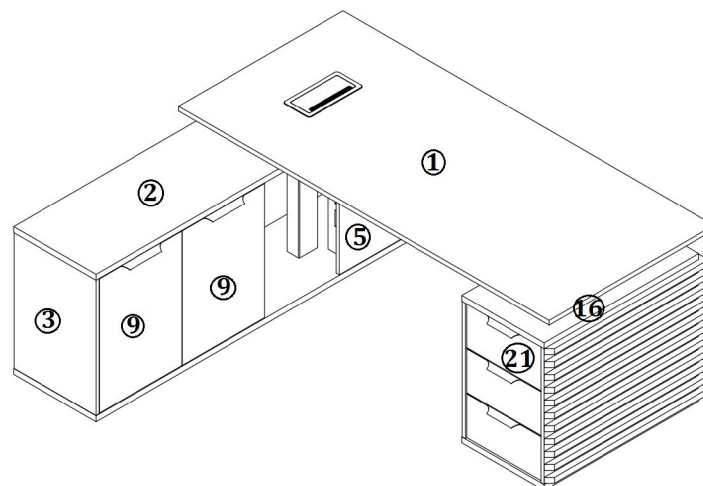


Step 5: Assemble Main Table Top.

(1) Unpack Carton No.6-1 and take out table top panel No.1. Connect it with the lift frame by gasket R & Screw P(8*20mm).



You may choose to use the decals to cover any Cam locks that are visible.



Finished assembly

Do not drag the furniture as this may cause damage to the legs. Instead, ask at least 2 persons to lift carefully with caution from either end.

IMPORTANT: CARE GUIDE FOR YOUR MELAMINE BOARD FURNITURE

Please read up on important information regarding your furniture.

- Dust frequently with a clean damp, lint-free cloth.
- Avoid using chemicals or solvents when cleaning the furniture.
- Do not place hot objects on any furniture surface.
- Avoid exposing your furniture to strong sunlight.
- Do not expose your furniture to any liquids.
- Do not allow sharp or rough object scratch the surface of furniture.
- When moving furniture, do not drag it across the floor.