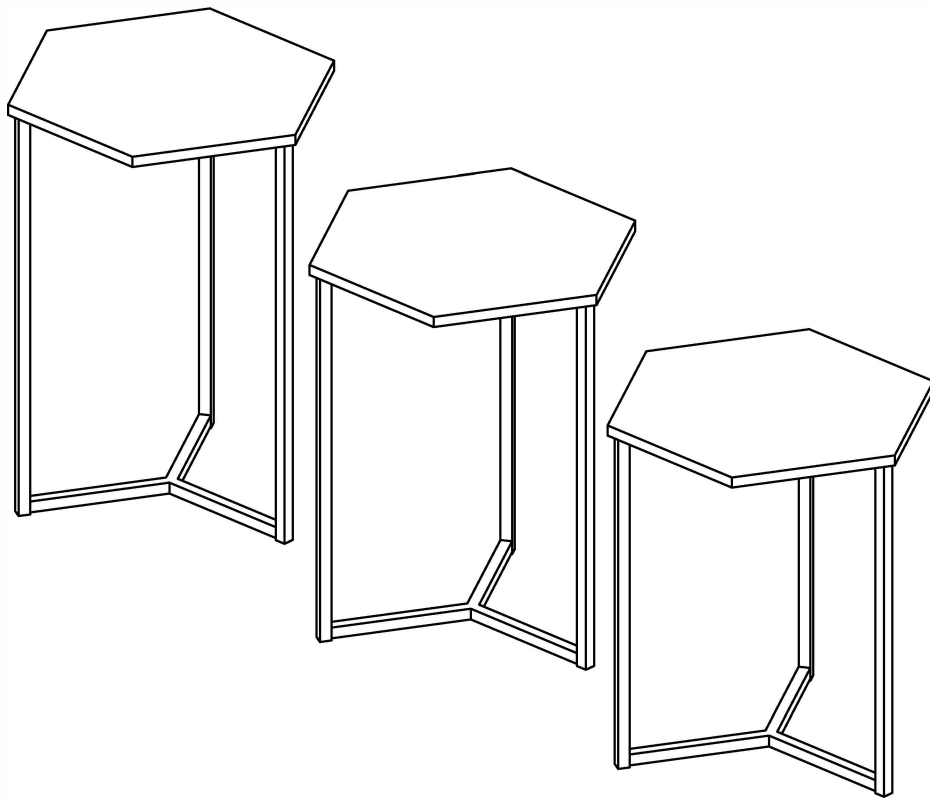
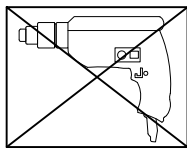


Assembly Instructions



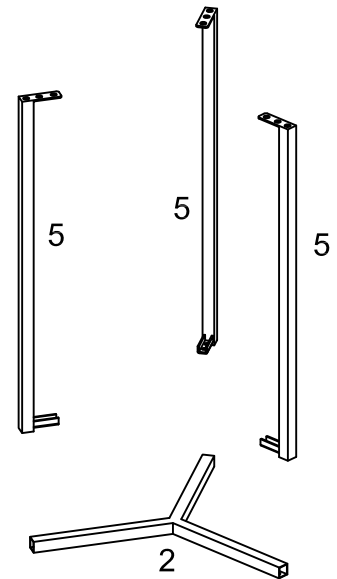
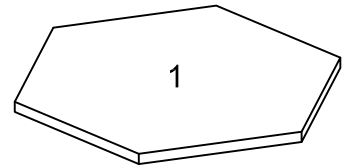
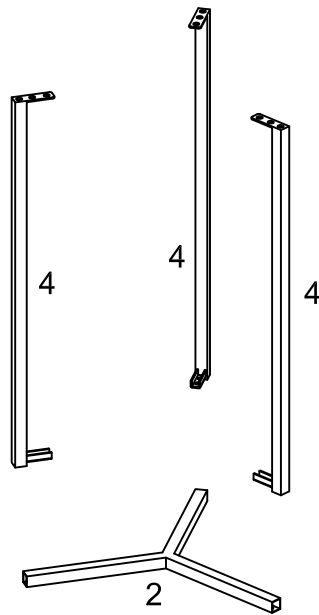
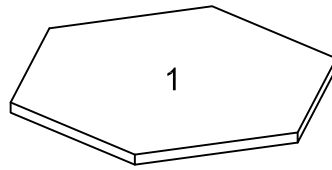
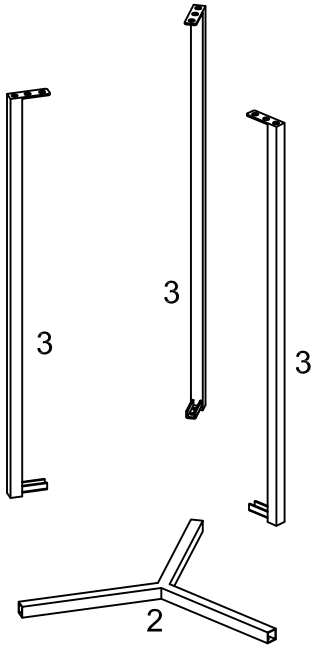
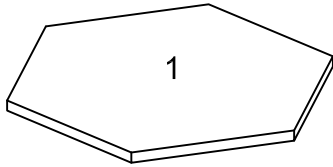
General Assembly Guidelines

- I. Ensure that all parts and hardware are available before beginning assembly.
- II. Follow each step carefully to ensure the proper assembly of this product.
- III. Two people are recommended for ease in the assembly of this product.
- IV. The main type of hardware used to assemble this product are: bolts and screws.
- V. Power tools should not be used to assemble this product.

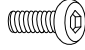



- VI. Drill may be needed for securing product to wall.

Parts List

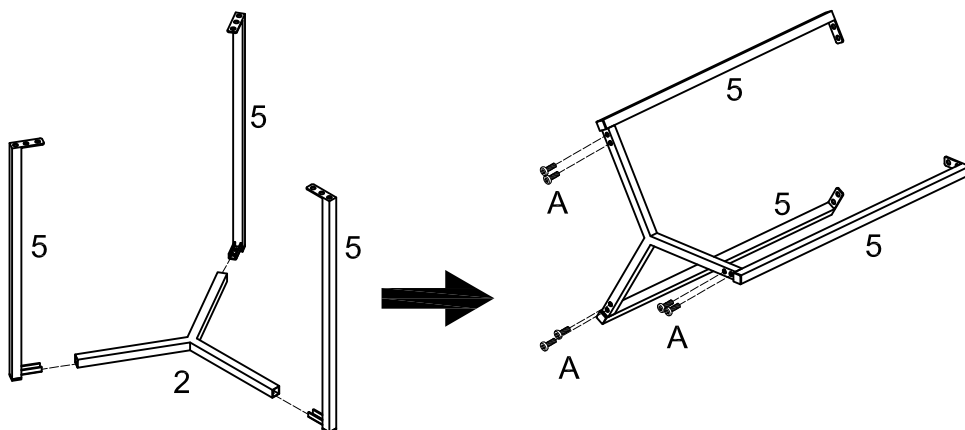
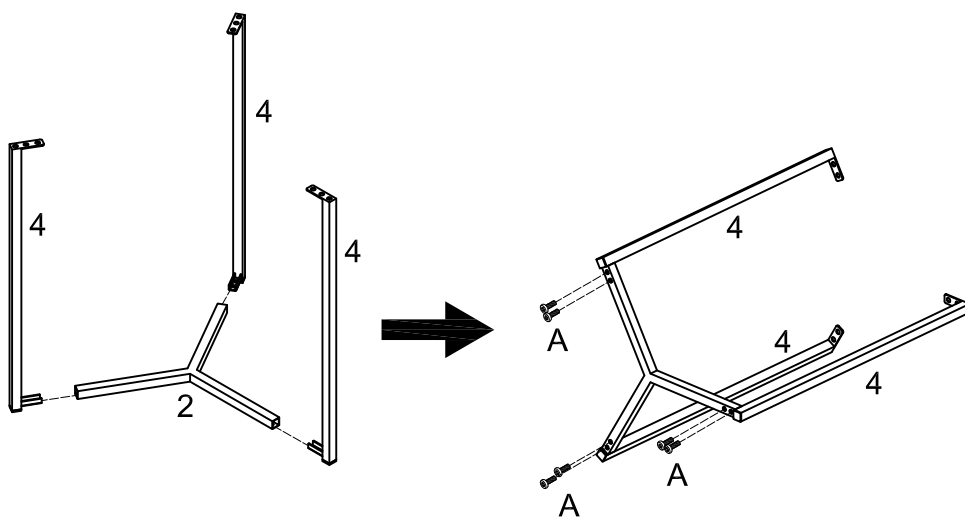
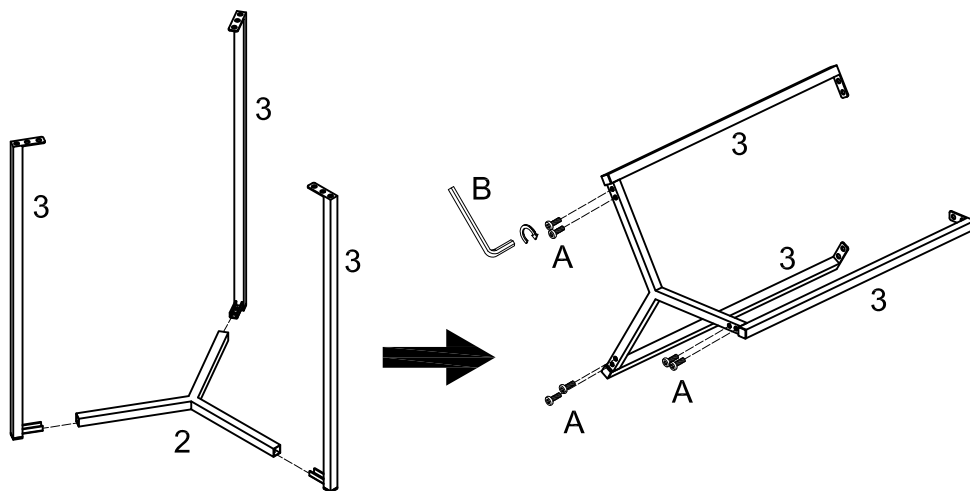


Hardware List

A		M6x12mm	Bolt	36 pcs
B		M4	Hex key	1 pc

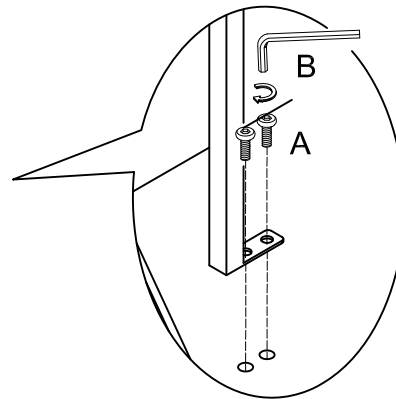
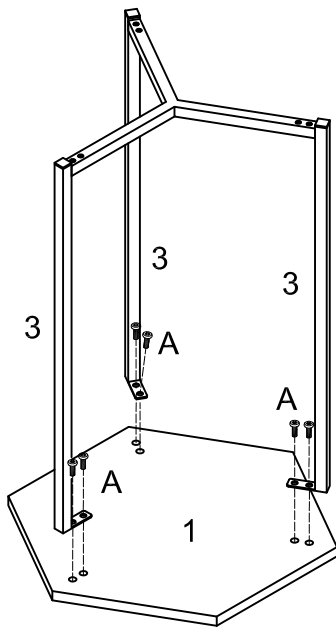
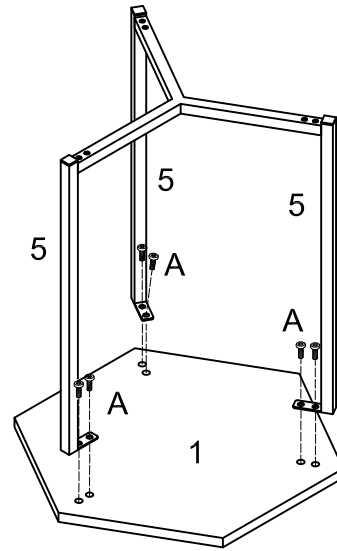
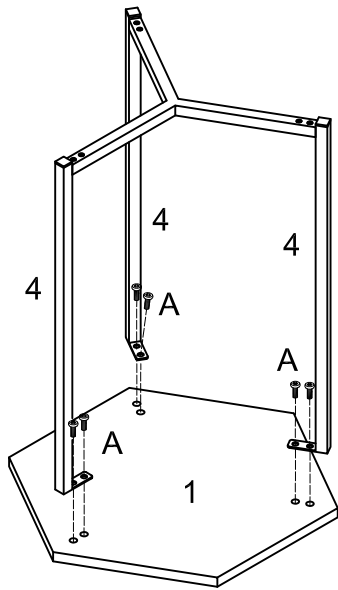
*The hardware quantities listed above are required for proper assembly.
Some extra hardware may also have been included.*

Step 1



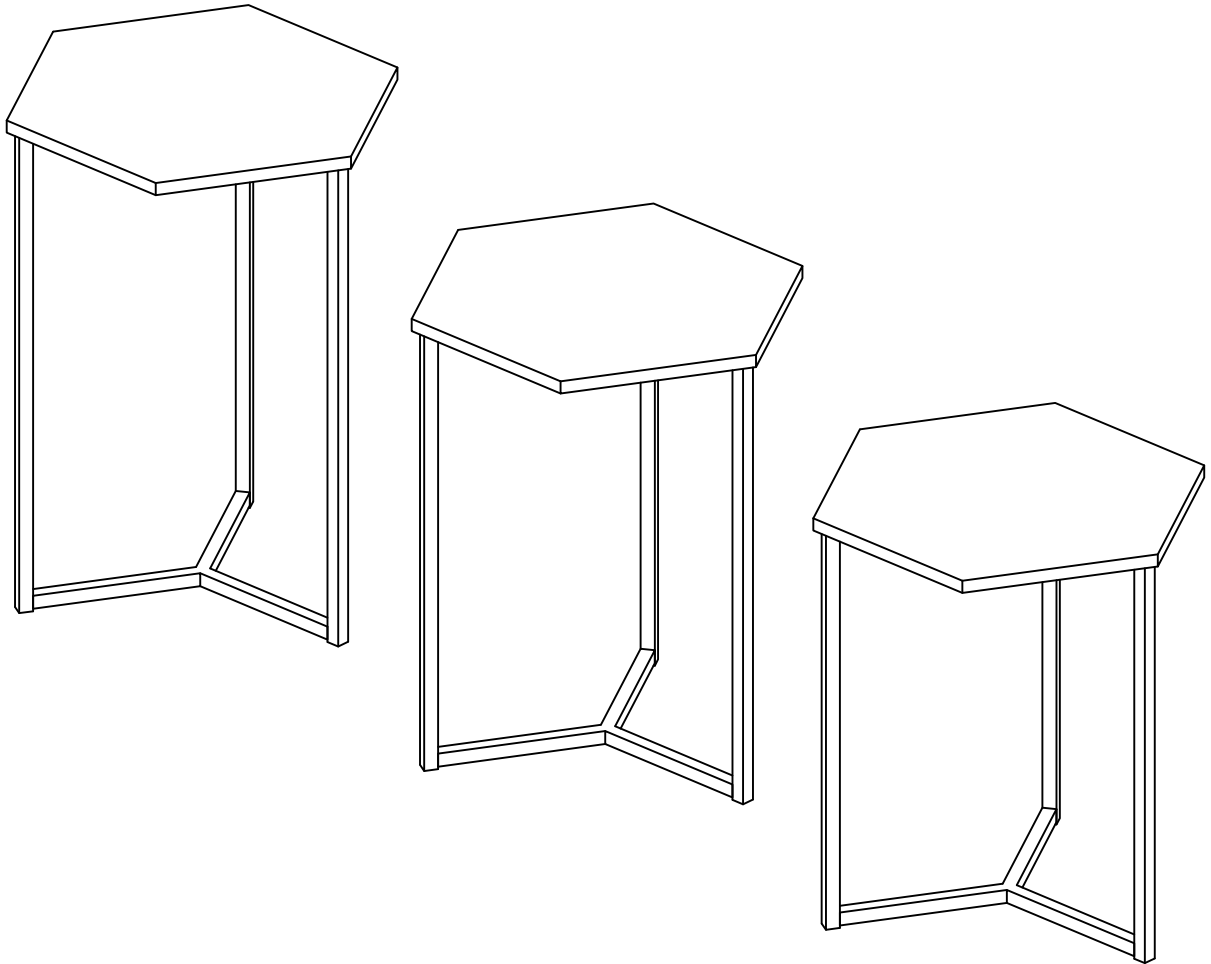
Attach part (3,4,5) to part 2 using bolt (A) with hex key (B) per diagram.

Step 2



Attach part (3,4,5) to part 1 using bolt (A) with hex key (B).

Step 3



Final Assembly