

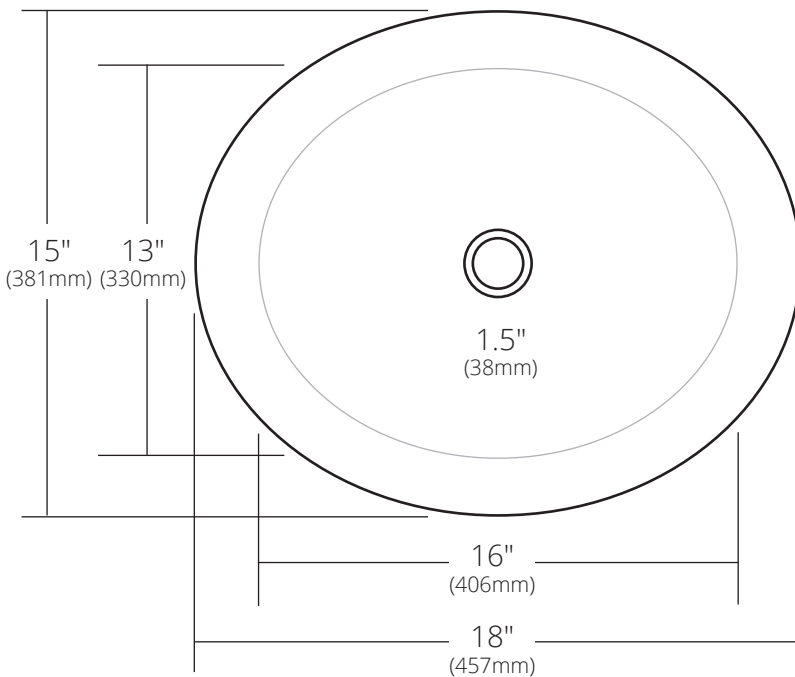
*SPECIFICATIONS*

**MAESTRO LOTUS**

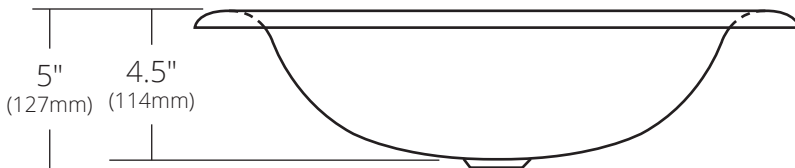
*Maestro Collection*



TOP VIEW



SIDE VIEW



CPS286 Antique  
CPS386 Tempered  
CPS586 Brushed Nickel

**PRODUCT DETAILS**

- 18" x 15" x 5" OD (457mm x 381mm x 127mm)
- 16" x 13" x 4.5" ID (406mm x 330mm x 114mm)
- Hand hammered 15 gauge recycled copper
- 1.5" (38mm) drain opening

**INSTALLATION**

- Drop-In

**COORDINATING PRODUCTS**

- Drains: DR120, DR130 or DR150

**STANDARDS COMPLIANCE**

- UPC/cUPC compliant

**IMPORTANT**

Due to the handcrafted nature of this product, it will vary in finish, texture, hammering, and other details. Dimensions may vary up to 1/4" (6mm). We strongly recommend waiting for the actual product before making any installation cuts.