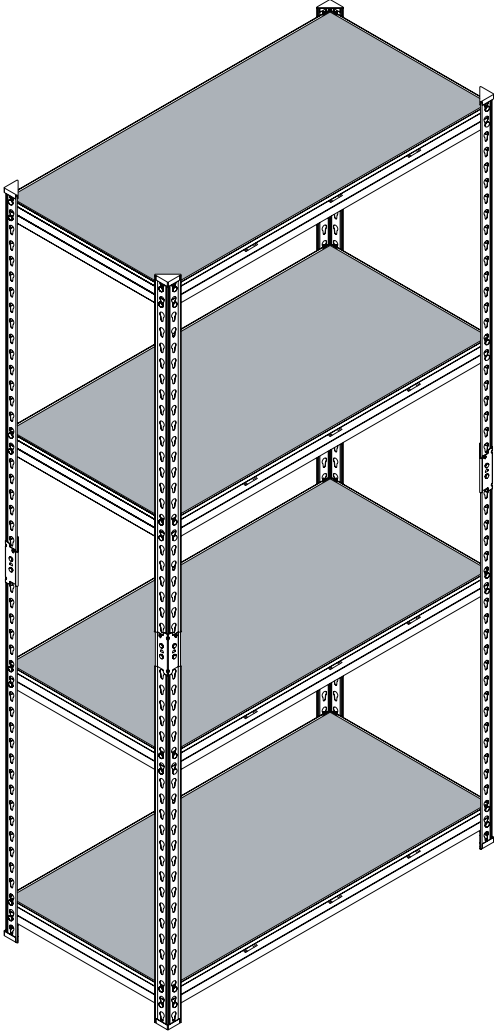
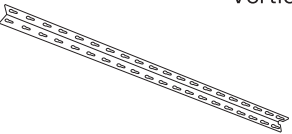

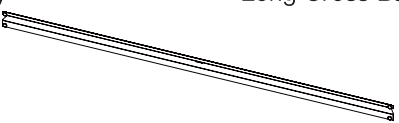
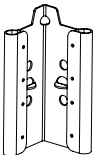
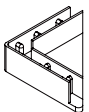
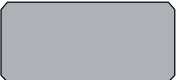
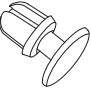
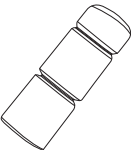
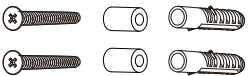


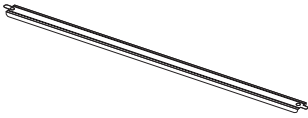
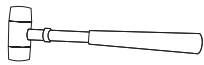

# ASSEMBLY INSTRUCTION



Please check all parts and accessories according to the parts list before assembling, make sure all contents are sufficient and in good condition. If there is any parts missing or defective, please contact us immediately with purchase platform message to get replacement parts.

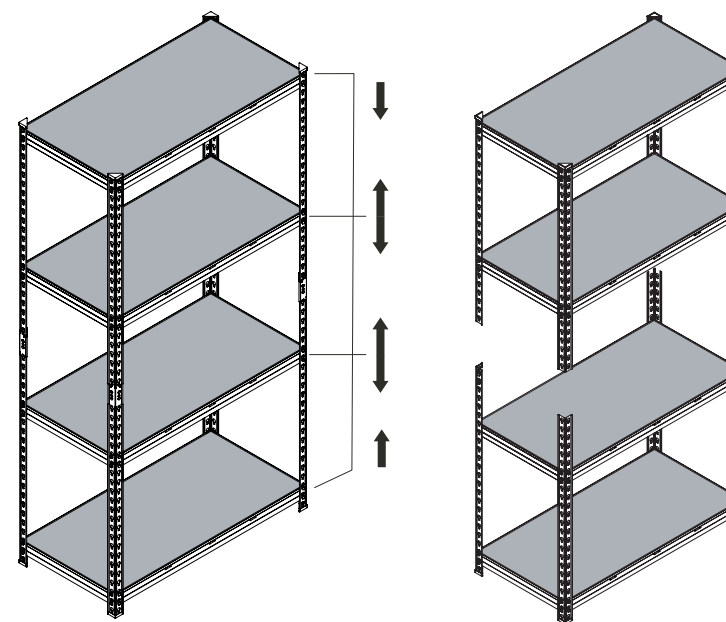
## PARTS:

<p><b>1</b></p>  <p>Vertical Bar</p> <p>x8</p>	<p><b>2</b></p>  <p>Short Cross Bar</p> <p>x8</p>
<p><b>3</b></p>  <p>Long Cross Bar</p> <p>x8</p>	
<p><b>A</b></p>  <p>Connector</p> <p>x4</p>	<p><b>B</b></p>  <p>Rubber Foot Pad</p> <p>x16</p>
<p><b>C</b></p>  <p>Board</p> <p>x4</p>	<p><b>D</b></p>  <p>Plastic Fastener</p> <p>x16</p>
<p><b>E</b></p>  <p>Link</p> <p>x2</p>	<p><b>F</b></p>  <p>Anti-tip Kit</p> <p>x1</p>

<p><b>G</b></p>  <p>Support Bar</p> <p>x12</p>	<p>Rubber Hammer</p>  <p>Gloves</p>  <p>x1</p>
---	--

## REMARK:

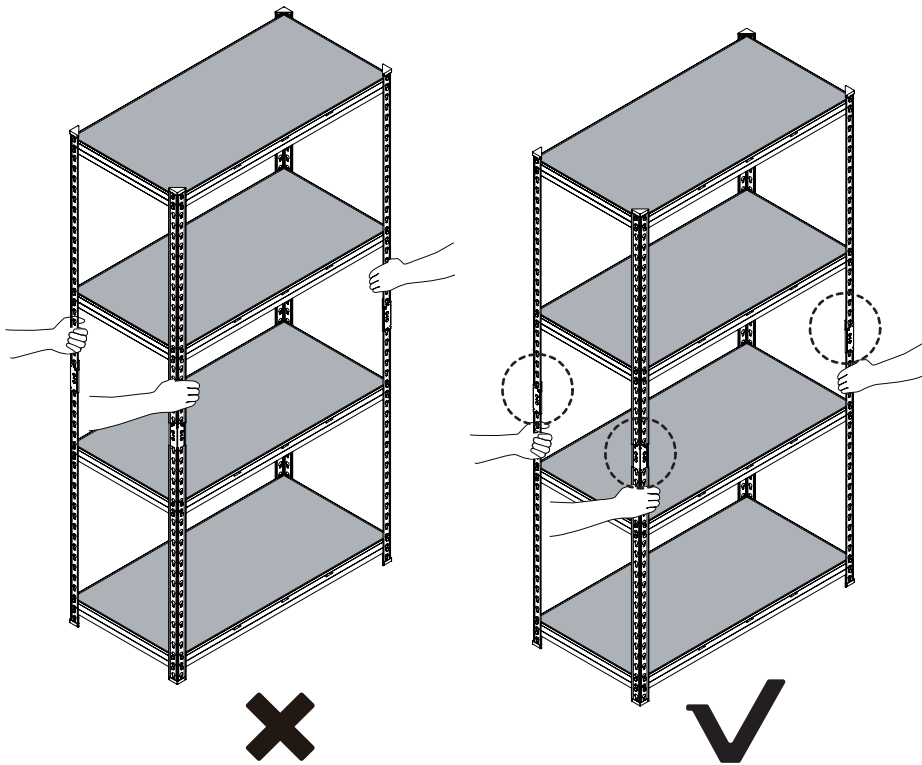
1. The heights of steel boards is highly adjustable which you can customize according to your needs during installation.
2. It's able to be separated into 2 independent shelves.
3. For longer usage lifespan, please place the product in a cool and dry environment.
4. For safety concerns, **DO NOT** stack too high on the top shelf.
5. Please **DO NOT** place items heavier than the maximum weight described on the product page.
6. **Wear gloves** before installation.
7. Every Cross Bar (part **2** & **3**) installing in same step must be at the same height.



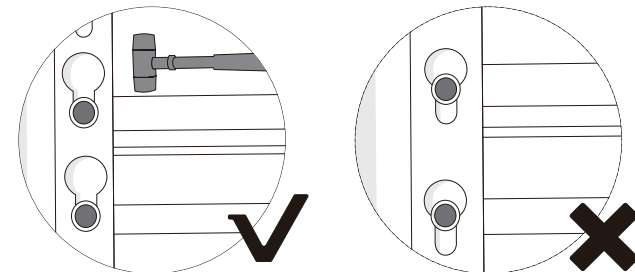
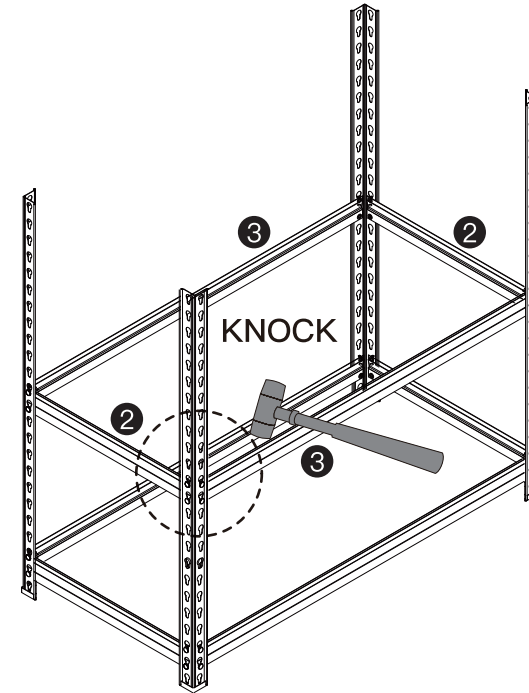


## WARNING

1. For safety concerns, please hold the lower part under the connectors when moving the shelves.

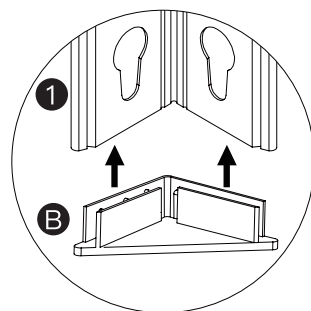
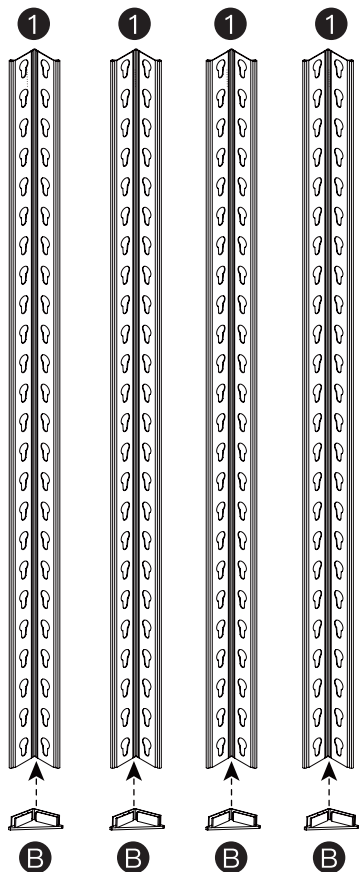
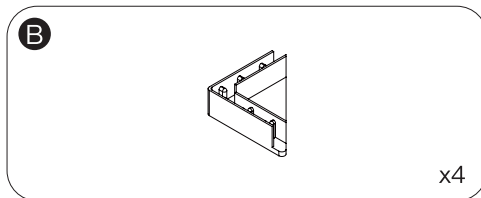
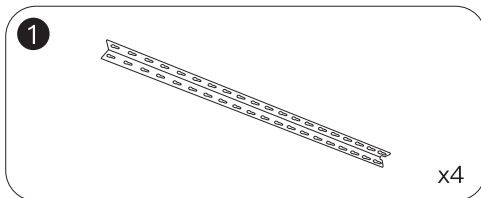


2. For the overall stability of shelves, every cross bar (② & ③) must be knocked fully tight into the end while installing.
3. Please knock the crossbars with rubber mallet to secure the frame, cover it with a towel to avoid damaging during installation.

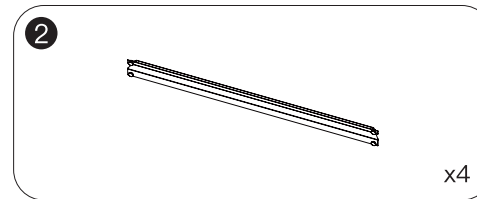


# HOW TO INSTALL

## STEP 1



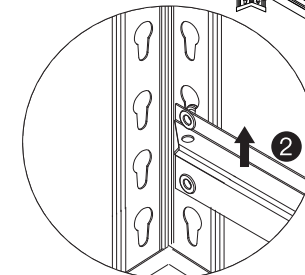
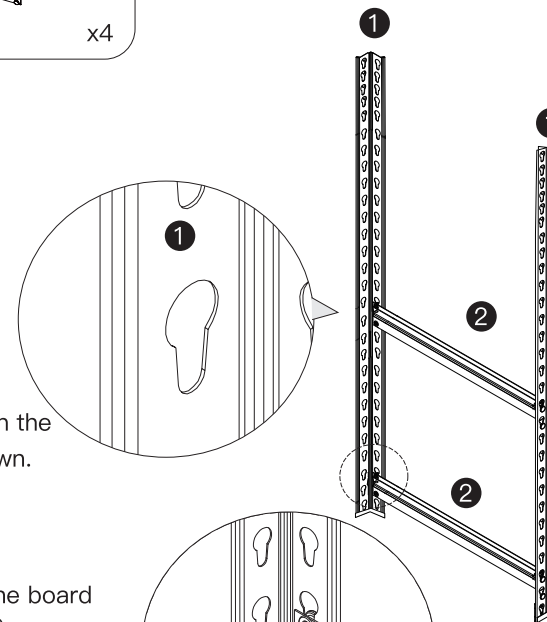
## STEP 2



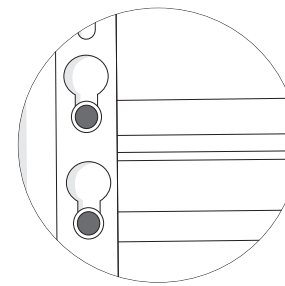
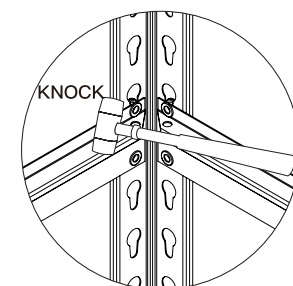
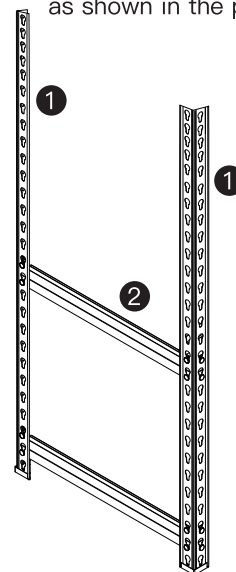
### ! NOTICE

A: Make sure small holes on the long vertical bar facing down.

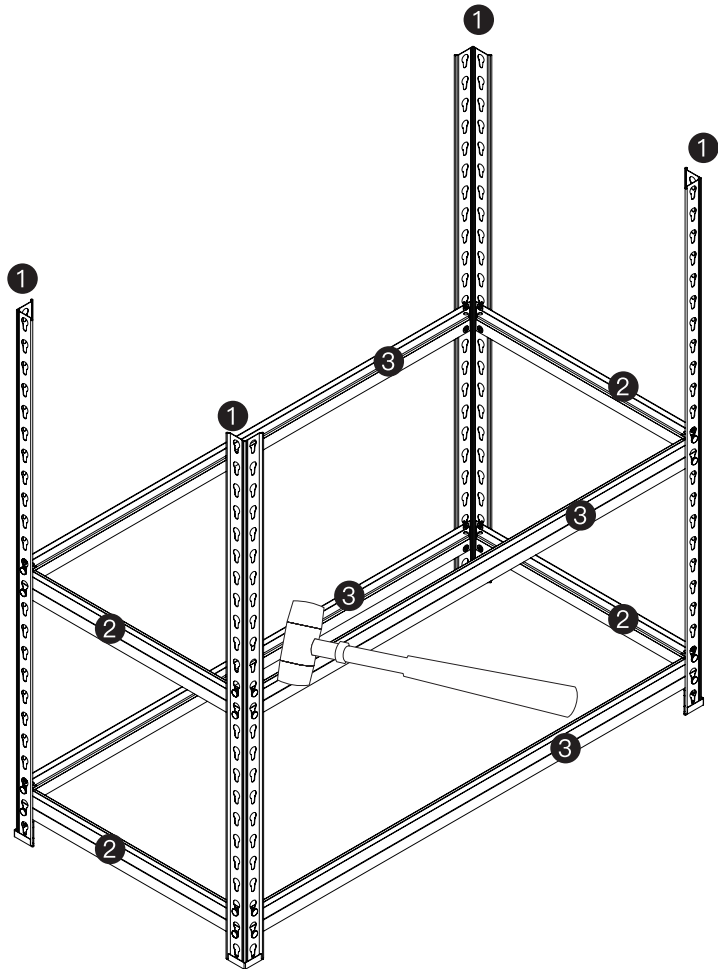
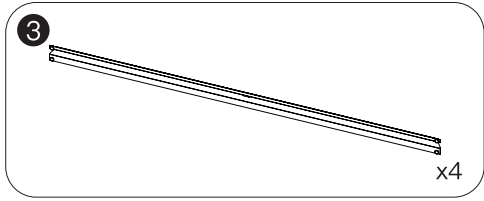
B: Put the flat side of the board support cross bar ( 2 ) facing up as shown in the picture.



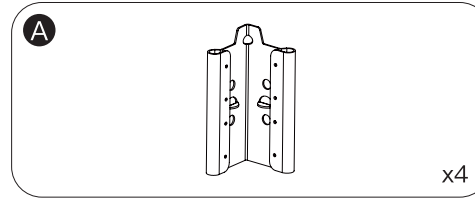
C: Knock on cross bar ( 2 ) with rubber hammer until the bar covered the small holes completely.



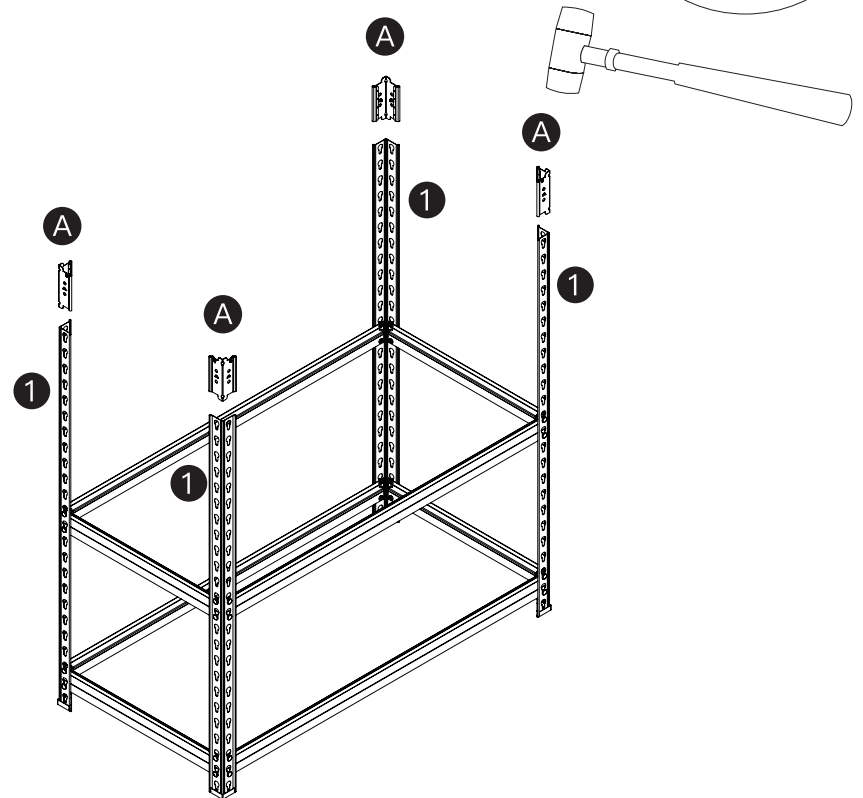
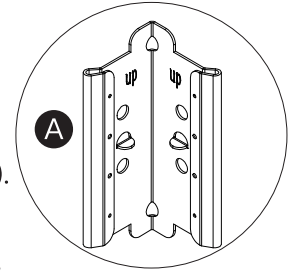
### STEP 3



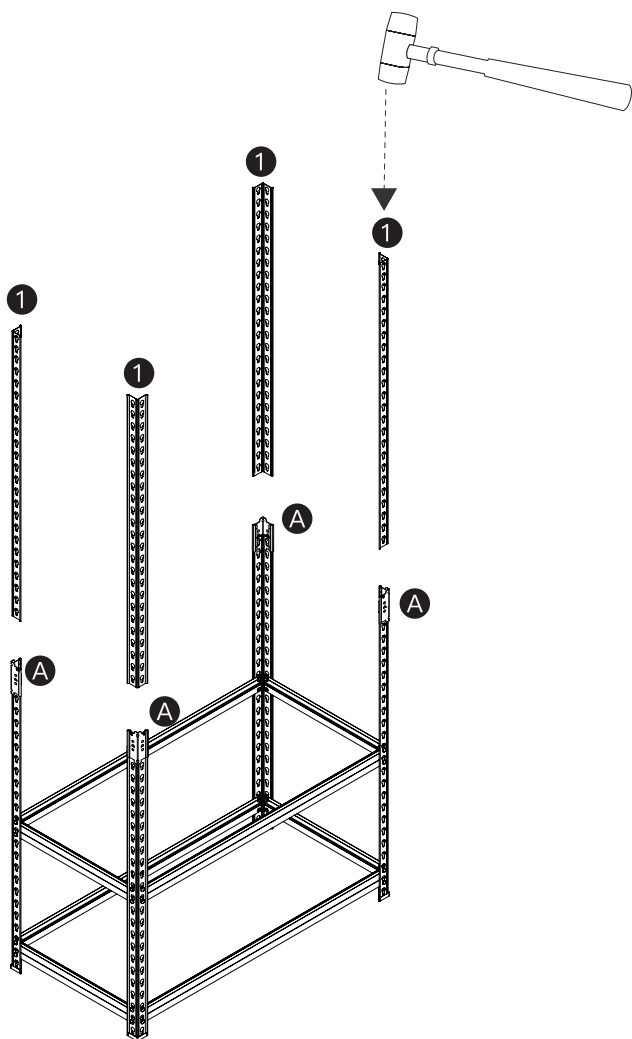
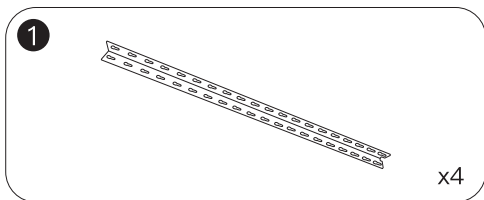
### STEP 4



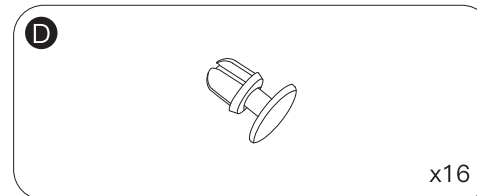
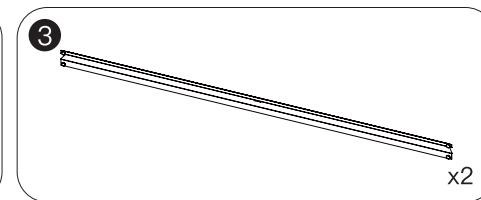
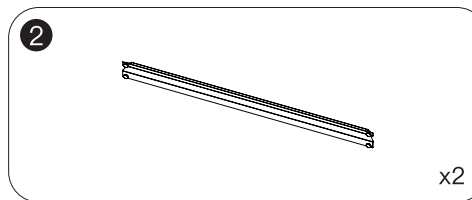
**NOTICE:**  
Make sure the connector's baffle (part A) engages the edge of the vertical bar (part 1).



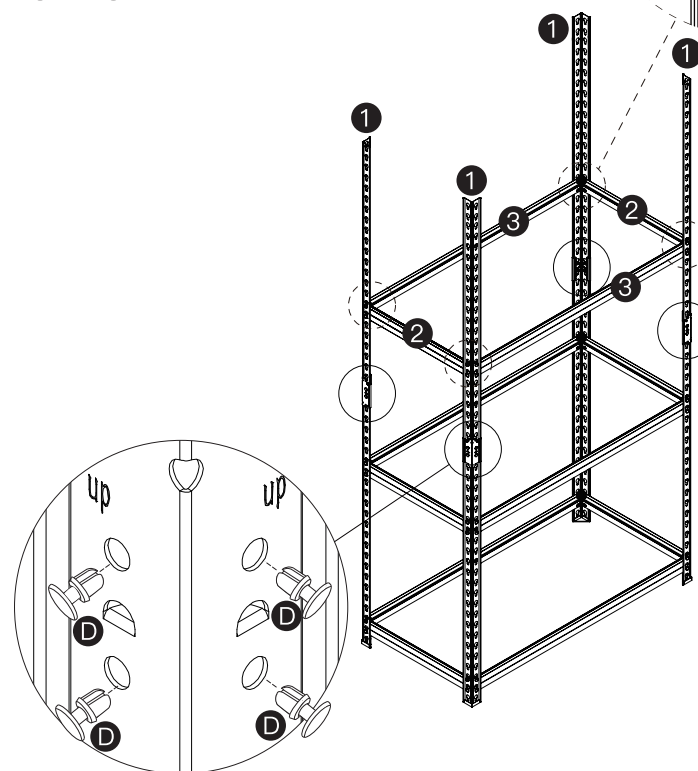
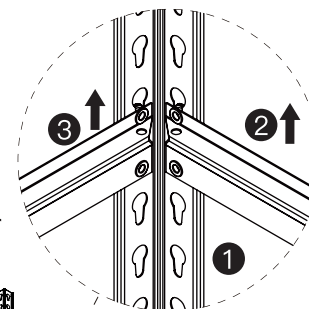
## STEP 5



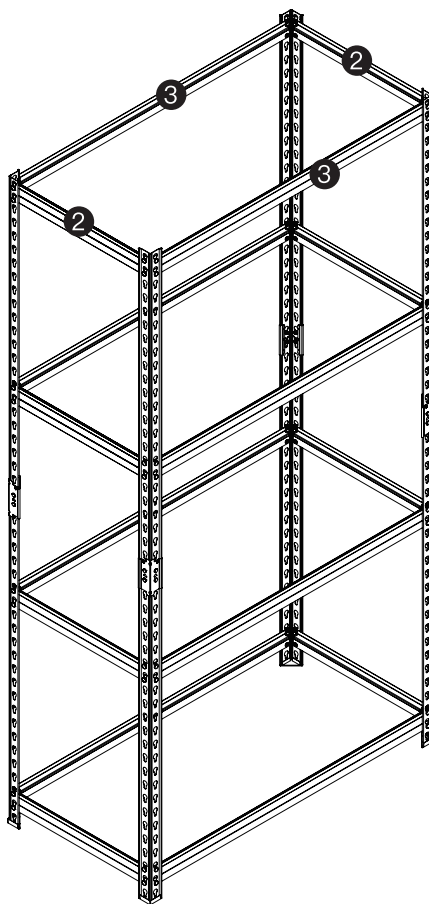
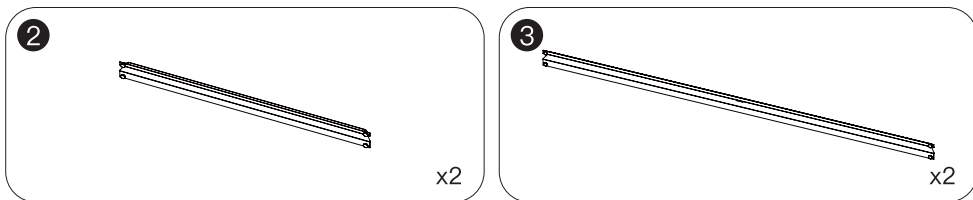
## STEP 6



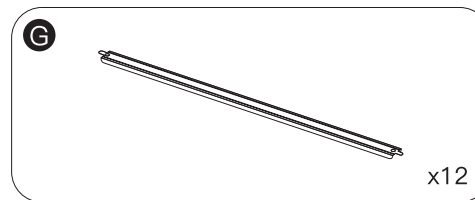
**NOTICE:**  
Put the flat side of the board support cross bar  
( 2 & 3 ) facing up as shown in the picture.



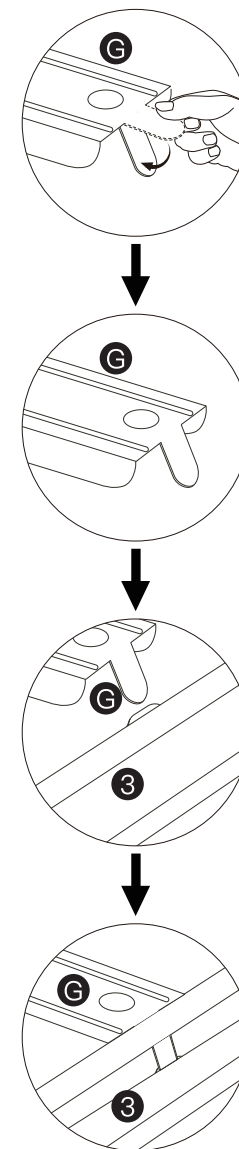
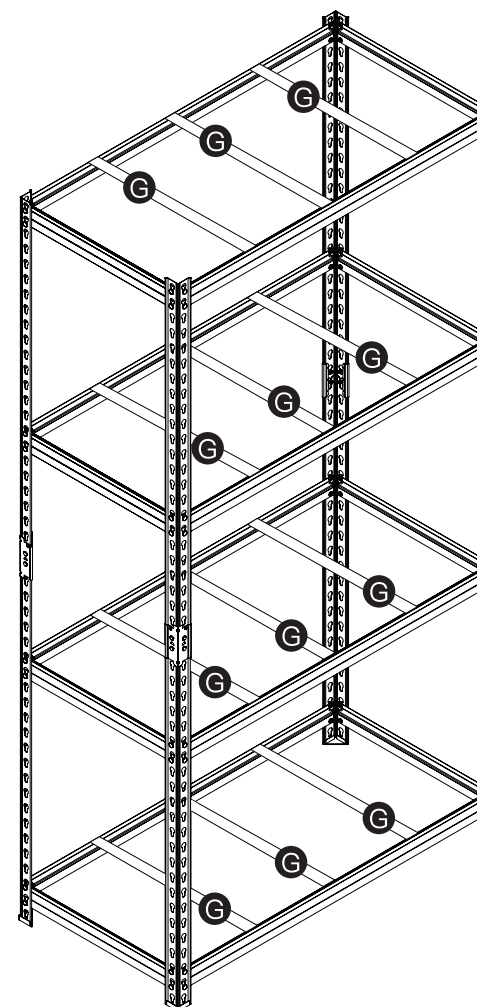
## STEP 7



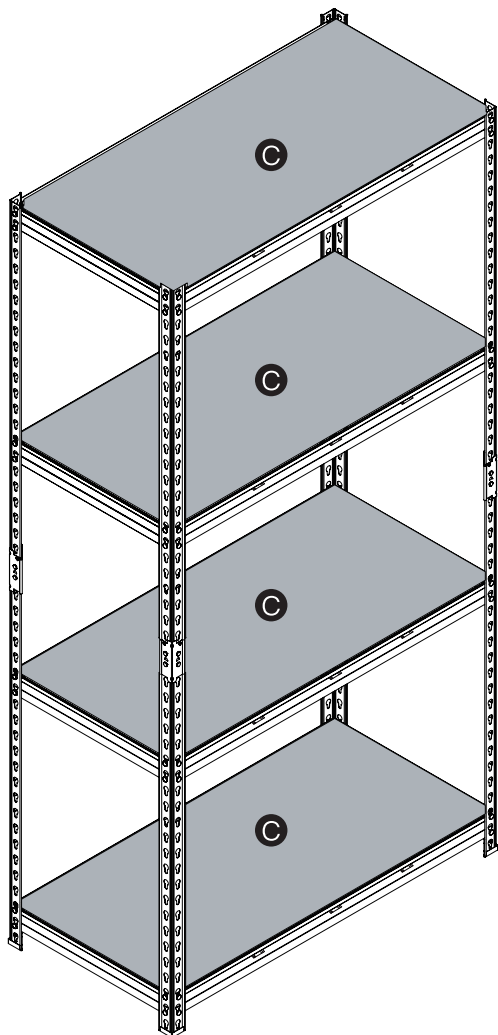
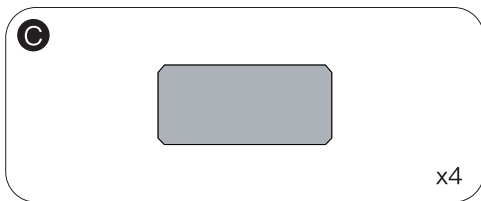
## STEP 8



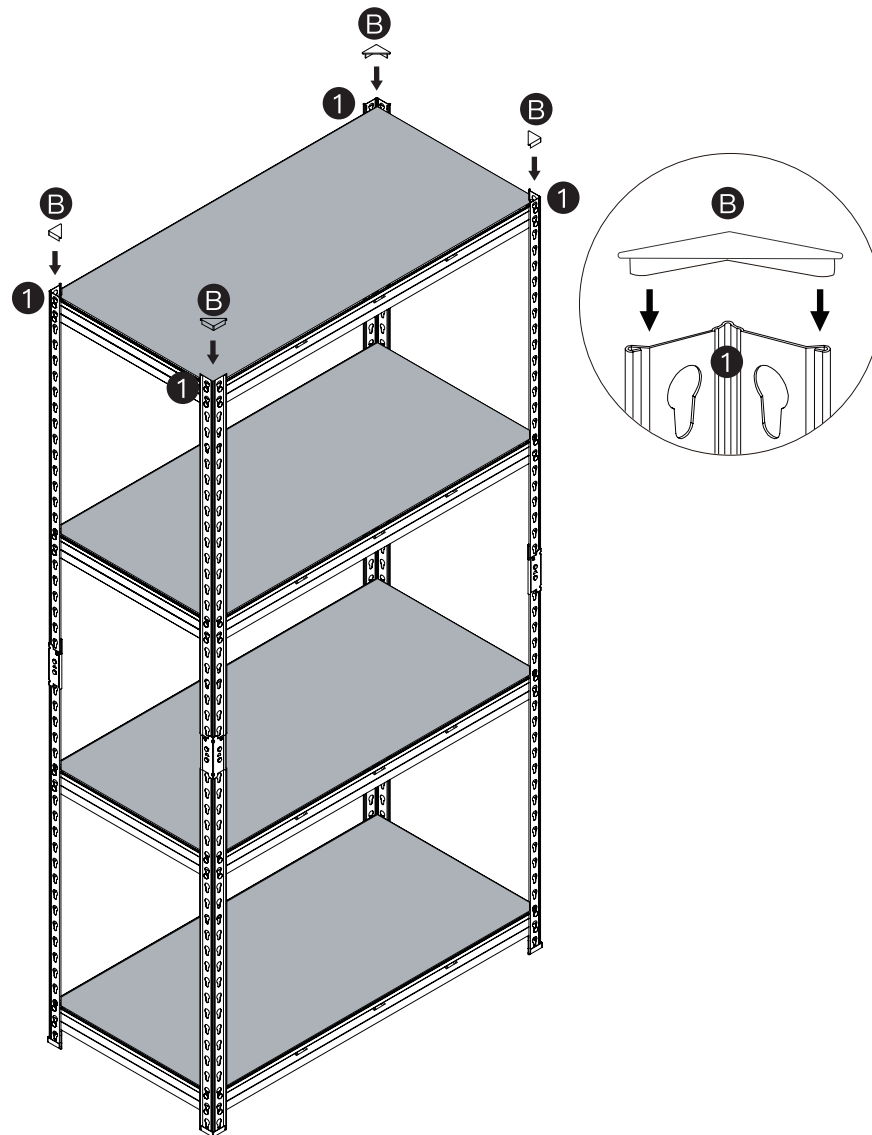
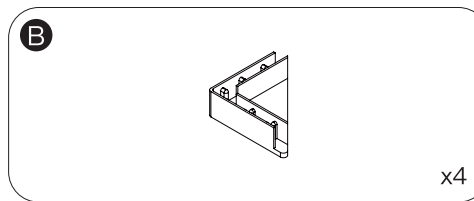
**NOTICE:**  
Please bend the protruding part of support bar (G) at a right angle for installation.



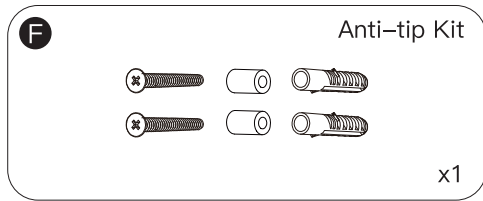
# STEP 9



# STEP 10

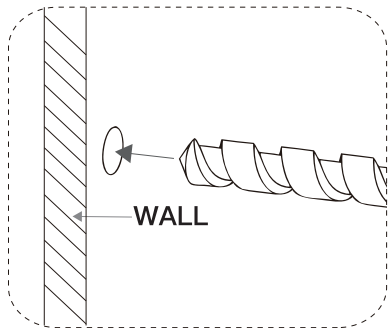


## STEP 11

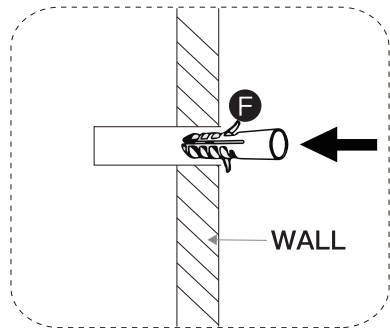


### WARNING

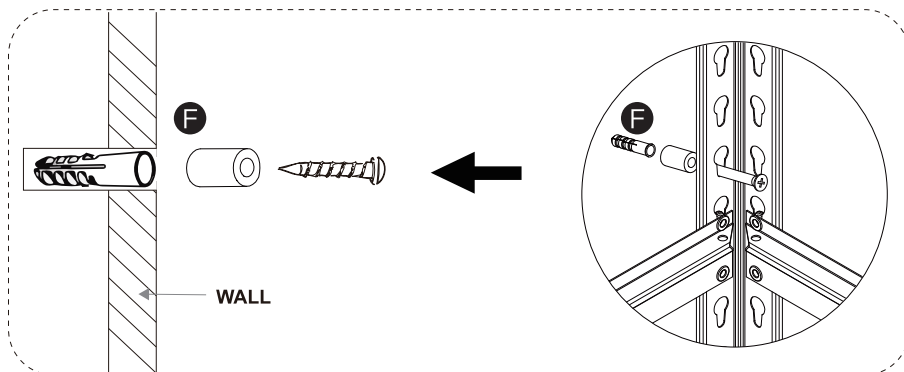
For maximum safety, the strips of anti-tip kit should cross the upper vertical bars.



(1) Drill holes at marked location.

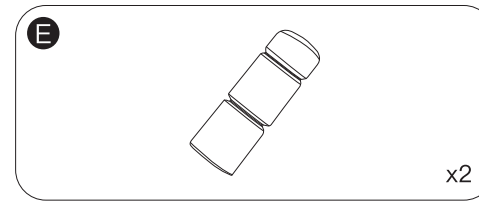


(2) Press the protective bolts in the wall.



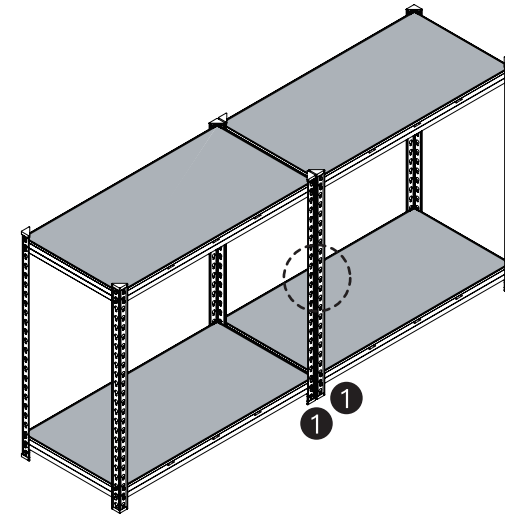
(3) Fix the safety lock on the wall with bolts.

## STEP 12

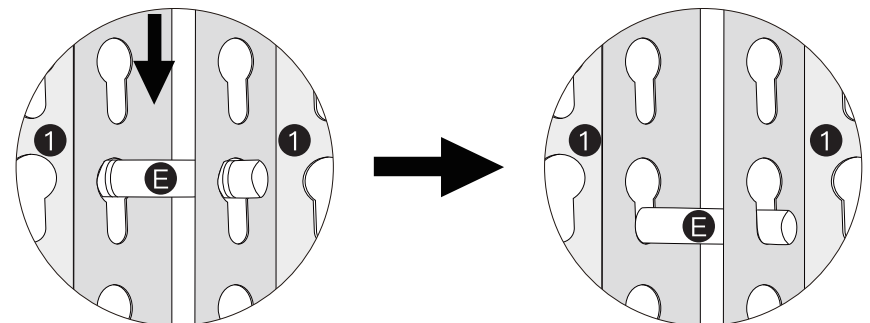


### NOTICE:

If you purchased multiple shelves or divided one shelf into two individual shelves, the link is able to provide more stability.



### PUSH



## AFTERSALE SERVICE

**Dear customer,**

We are pleased that you have chosen our product as part of your home. We care deeply about your experience and hope that you receive all the help you need.

We sincerely hope this product meets your expectations and hope that you will consider us again in your future needs.

The packaging may exceed our control during transportation. If there are any issues with the box or contents, please contact us directly. We will provide you with high-quality after-sales service. Please kindly wait for the response from our team.

Thank you once again for choosing us. Let's create wonderful memories and comfortable spaces together!

Kind regards,  
Customer Care Team