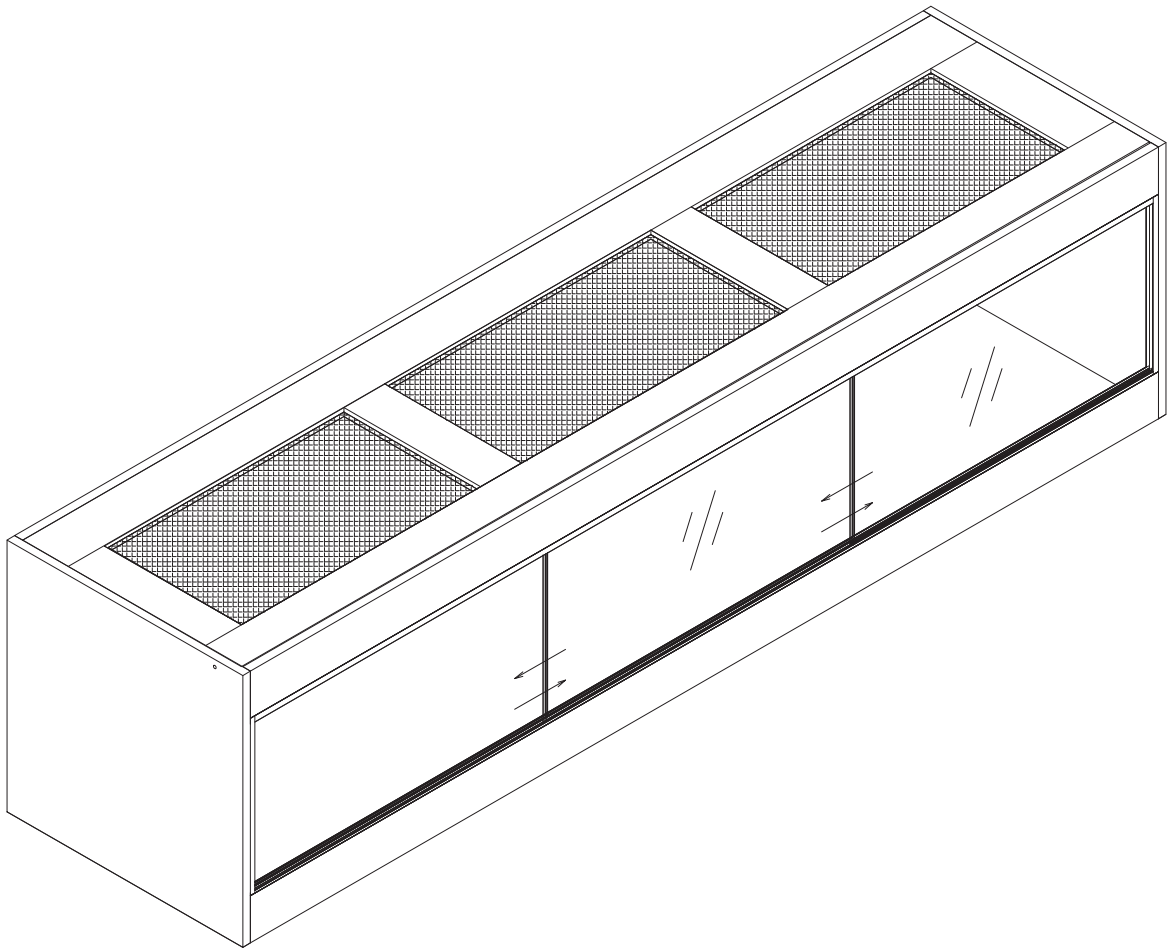


REPTILE HIGH-GRADE PVC CAGE INSTRUCTION MANUAL

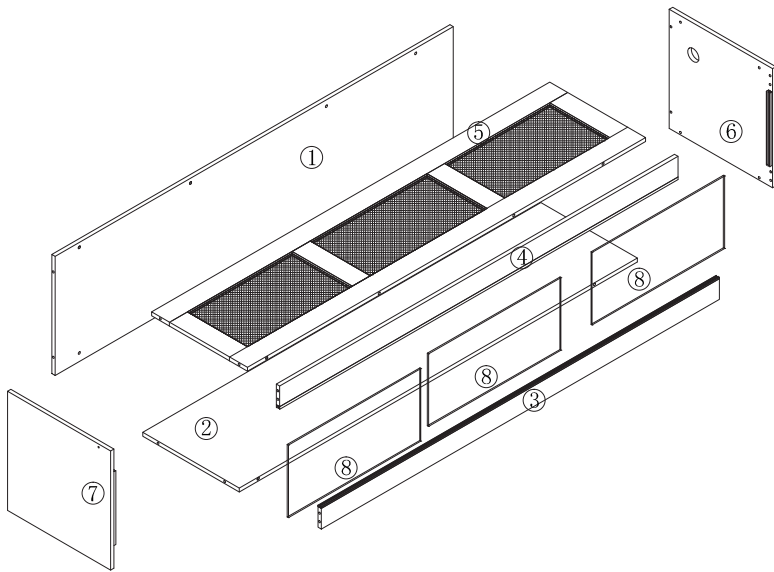


Thanks for choosing this product, to ensure its service life under proper use,
please carefully read this instruction manual before assembly.

Product Overview

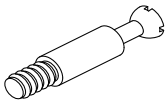
The cage is made of high-quality PVC material, moisture-proof, anti-corrosion and durable to establish a comfortable living environment for reptile pets. It also designed with solid structure, high-end appearance, equipped with wiring port for easy wiring. Sliding glass door for better view. Top mesh cover could be placed lighting or dome. Easy to assemble and has a variety of specifications to choose from, suitable for different use needs.

Component Details

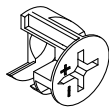


No	Component	QTY
①	Back Board	1
②	Bottom Board	1
③	Bottom Bar	1
④	Upper Bar	1
⑤	Top Mesh Cover	1
⑥	Right-side Board	1
⑦	Left-side Board	1
⑧	Front Glass Door	3

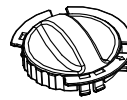
Accessories List



A. Lock Rod x 34PCS



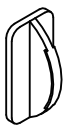
B. Lock Catch x 34PCS



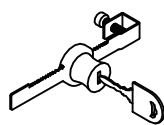
C. Cable Pass x 1PC



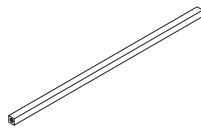
D. Wood Connector x 2PCS



E. Door Handle x 3PCS



F. Glass Lock x 2PCS



G. Square tube x 1PC



H. Hexagon screw x 2PC

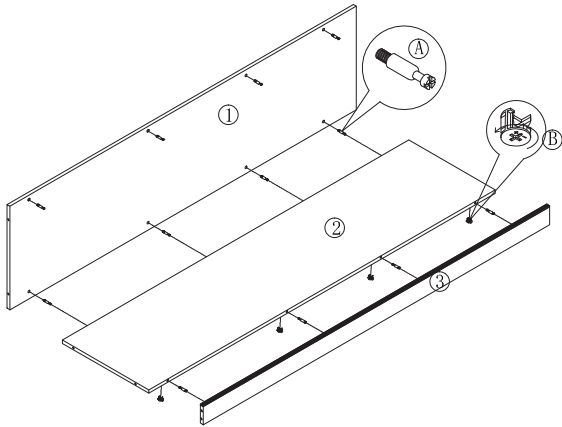


I. Spanner x 1PC

Assembly Steps

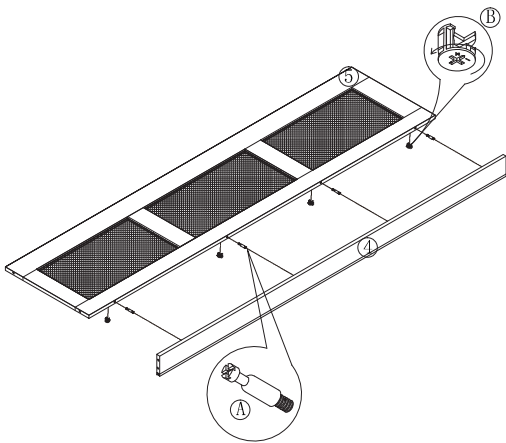
1. Take board no.1 (Back Board) ,no.2 (Bottom Board) and no.3 (Bottom Bar) ,use 12PCS accessories A (Lock Rod) and tight them on the plastic holes of board no.1 and no.3. Then connect board no.2 as shown in the figure by using 8pcs accessories B (Lock Catch)

(Note: all arrow direction of accessories B must in comply with accessories A, symbol + means screw tight and - means loosen)



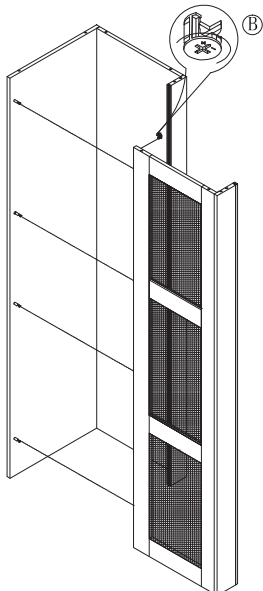
2. Take board no.4 (Upper Bar) and no.5 (Top Mesh Cover) ,use 4PCS accessories A (Lock Rod) and tight them on the plastic holes of board no.4. Then connect board no.5 as shown in the figure by using 4pcs accessories B (Lock Catch)

(Note: all arrow direction of accessories B must in comply with accessories A, symbol + means screw tight and - means loosen)

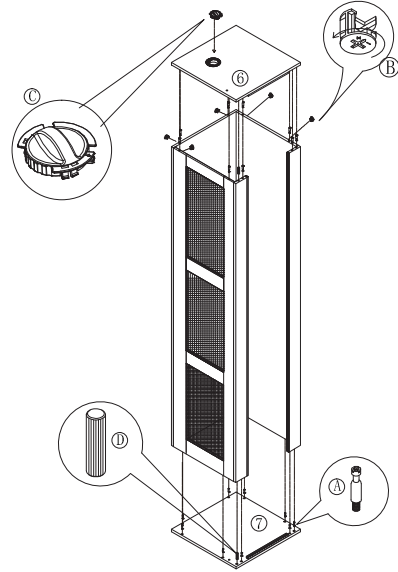


3. After finishing above step 1 and step 2, put them on the ground as below picture shown, connect both parts by using 4pcs accessory B (Lock Catch)

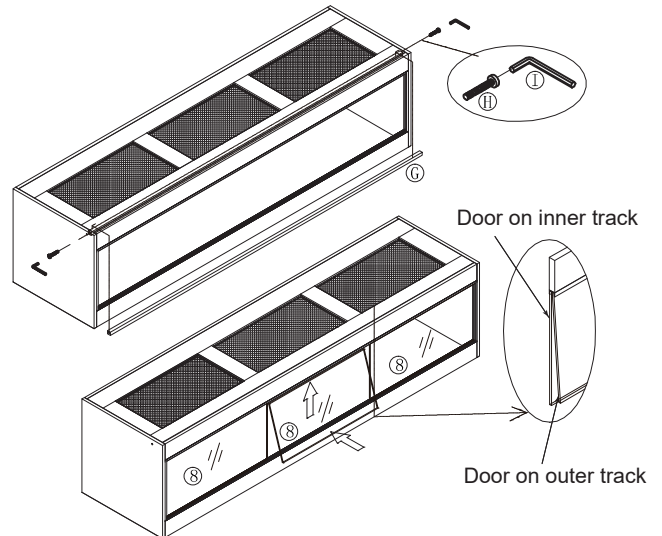
(Note: all arrow direction of accessories B must in comply with accessories A, symbol + means screw tight and - means loosen)



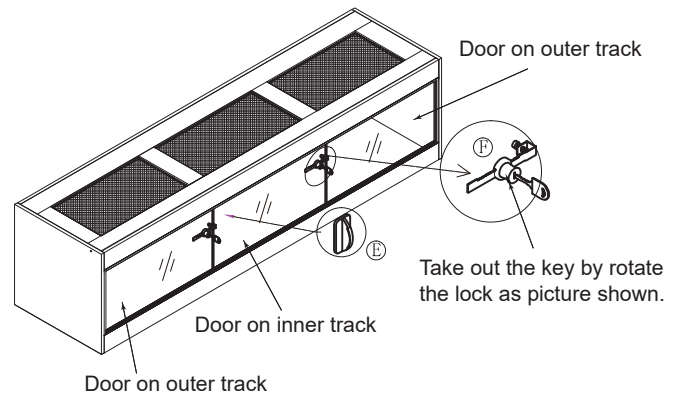
4. Take board no.6 (Right-side Board) ,no.7 (Right-side Board) ,use 18PCS accessories A (Lock Rod) and 2pcs accessory no.D (Wood Connector) as picture shown, connect board no.6 with step 3 parts. Take 18PCS accessories B (Lock Catch), tight them with board no.7, put accessory C (Cable Pass) on position as below picture shown (Note: all arrow direction of accessories B must in comply with accessories A, symbol + means screw tight and - means loosen)



5. After installing step 4, place it flushly on the ground as shown in the picture. Take the accessory "G" and use the accessory "H" to screw it in from the outside of the #6 and #7 panels with the "I" accessory.



6. Take accessory F (Glass Lock) , rotate and loose the key first, insert it into the door on inner track and tighten it with a screwdriver. Attached the key on glass door according to personal preference.



Safety and Maintenance

1. This product is not suitable for children to play as toys.
2. This product is only for indoor use. Do not install or store this product in the open air.

Important Safety Information

Warning: Failure to follow the above safety instructions may result in product damage, which may endanger the safety of people in serious cases.

Use: Please read all safety information before using product.