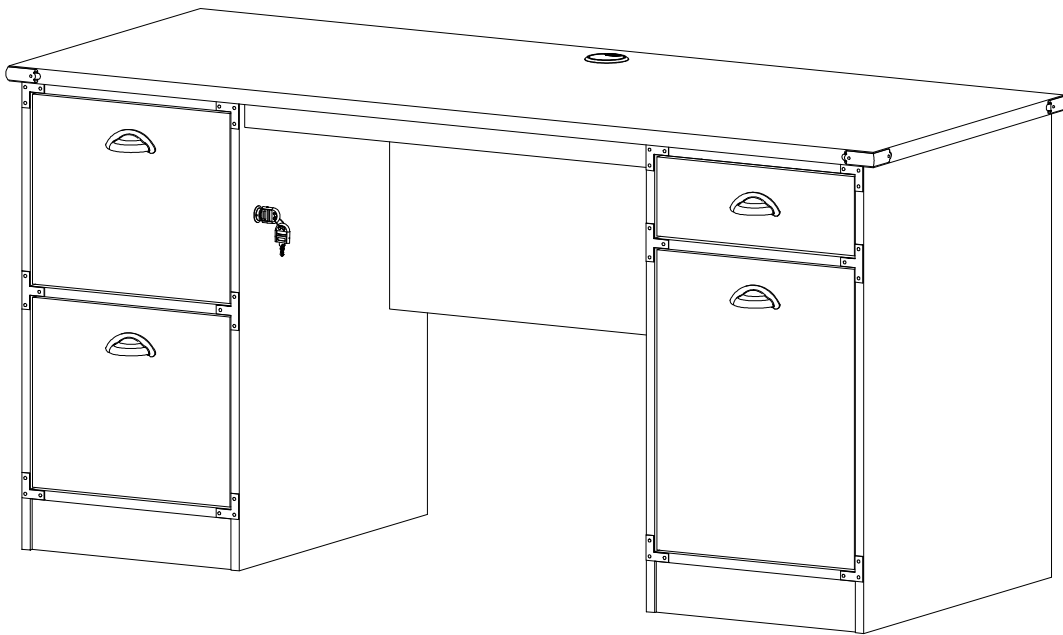
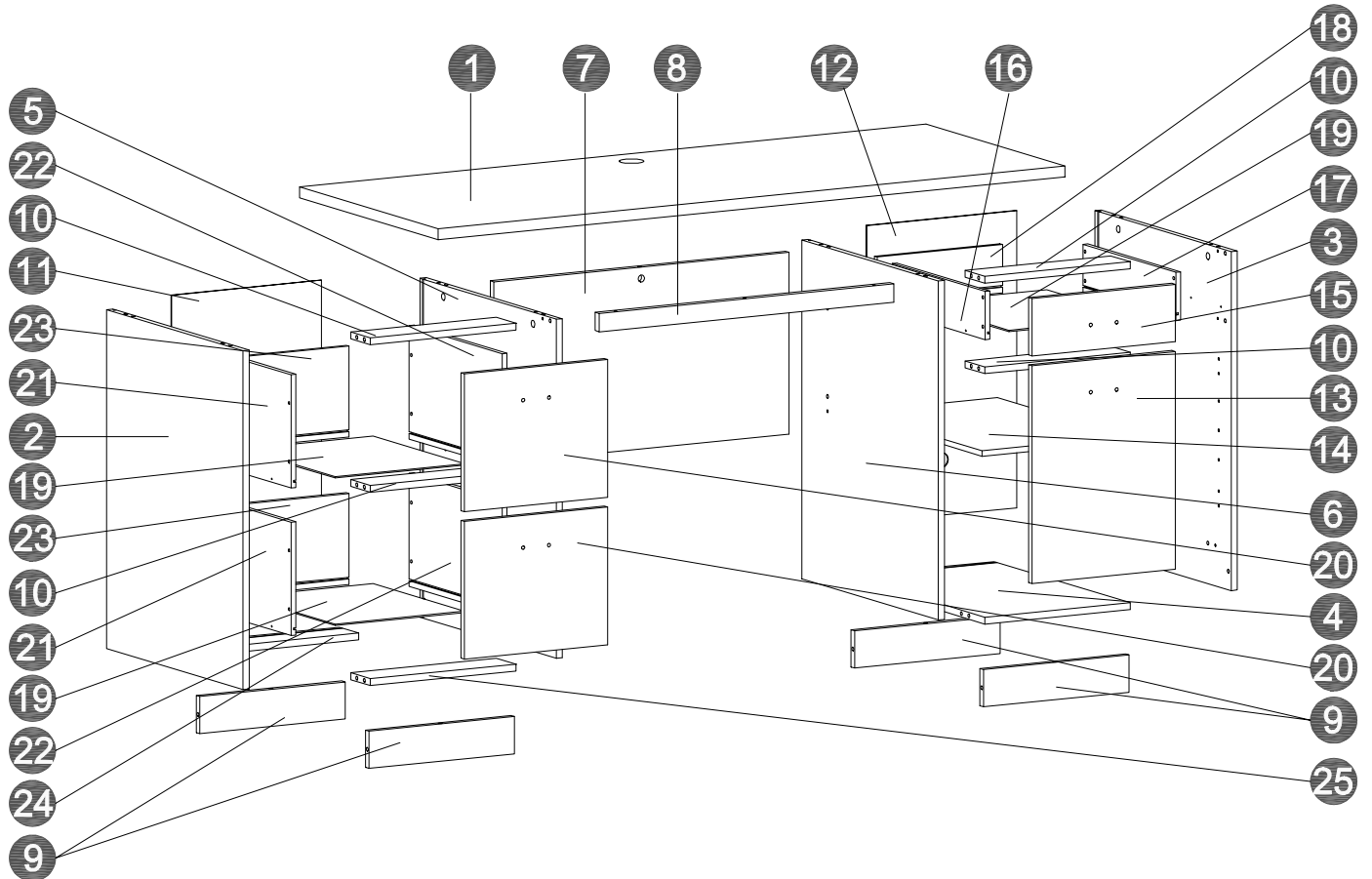


ASSEMBLY INSTRUCTIONS

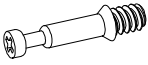


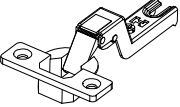
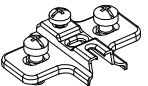

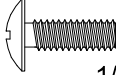
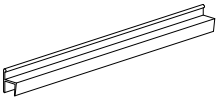
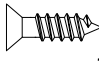
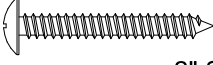
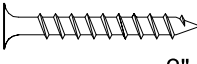
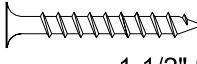

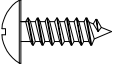



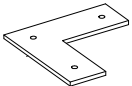
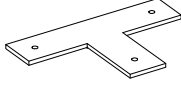

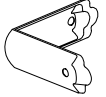

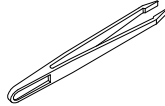
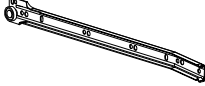
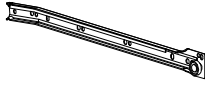
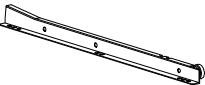
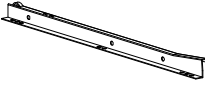
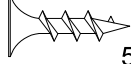
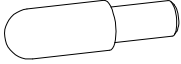
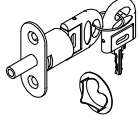
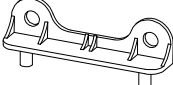
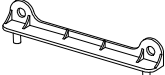
PARTS LIST

1 X1	2 X1	3 X1	4 X1	5 X1
6 X1	7 X1	8 X1	9 X4	10 X4
11 X1	12 X1	13 X1	14 X1	15 X1
16 X1	17 X1	18 X1	19 X3	20 X2
21 X2	22 X2	23 X2	24 X1	25 X1



HARDWARE LIST

Name	Part	Qty.	Spare
A		25	1
B		25	1
C		40	2
D		2	
E		2	
F		4	
G	 1/2" Screw	8	1
H		4	
I	 1/2" Screw	36	4
J	 2" Screw	3	1
K	 2" Screw	4	1
L	 1-1/2" Screw	12	1
M	 9/16" Screw	12	1
N	 1/2" Screw	12	1
O		36	3

Name	Part	Qty.	Spare
P		8	
Q		4	
R	 5/6" nail	8	2
S		4	
T		1	
U		1	
V	 16"	3	
W	 16"	3	
X	 16"	3	
Y	 16"	3	
Z	 5/8" Screw	6	
AA		4	
BB		1	
CC		2	
DD		4	

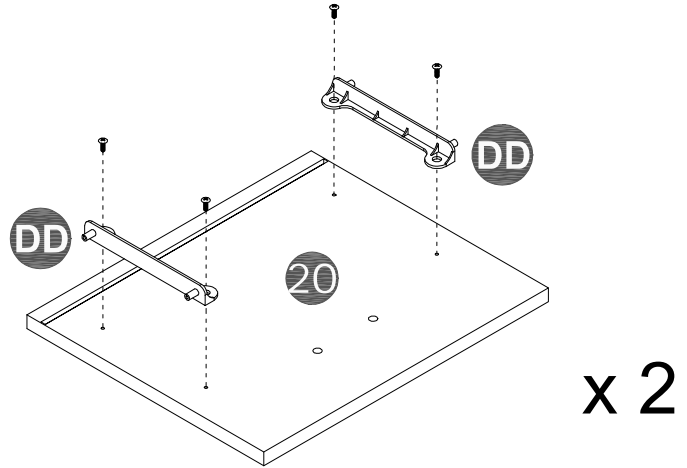
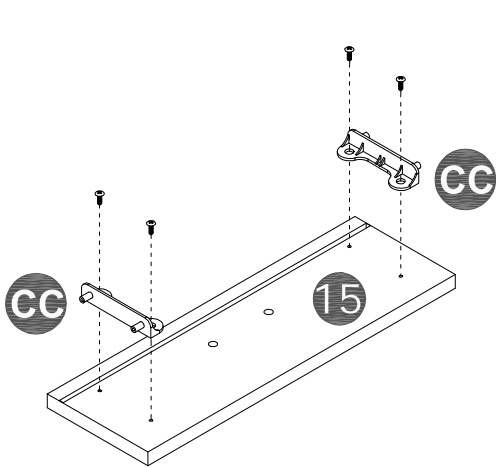
STEP 1

CC x 2pcs 

DD x 4pcs 

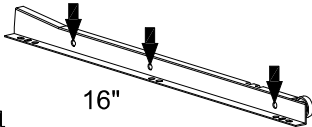
M x 12pcs 

Do not use power screw driver,
use manual screw driver.

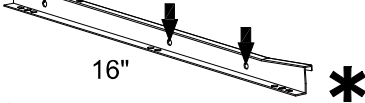


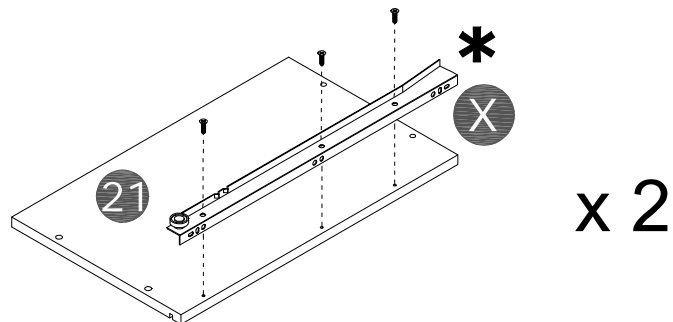
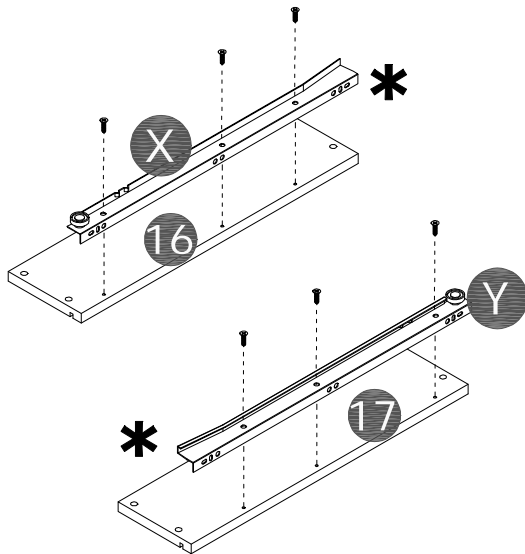
x 2

STEP 2

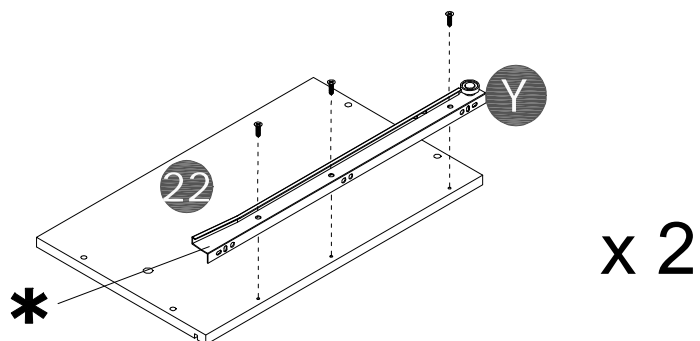
X x 3pcs * 

I x 18pcs 

Y x 3pcs 



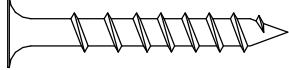
x 2



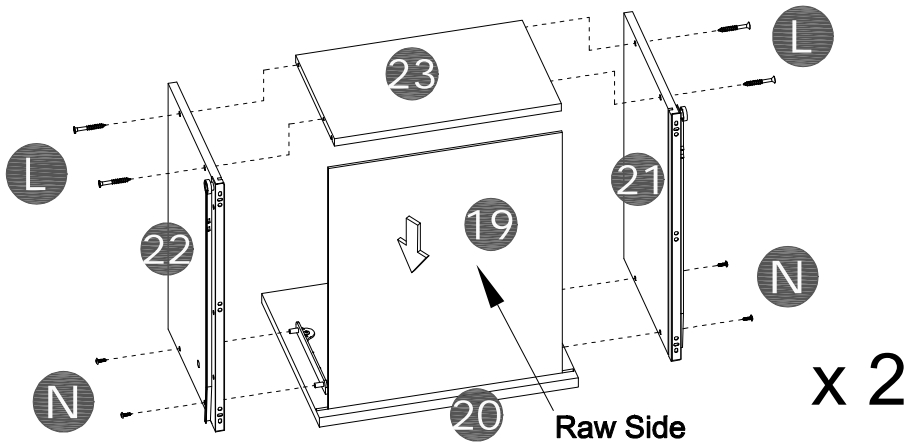
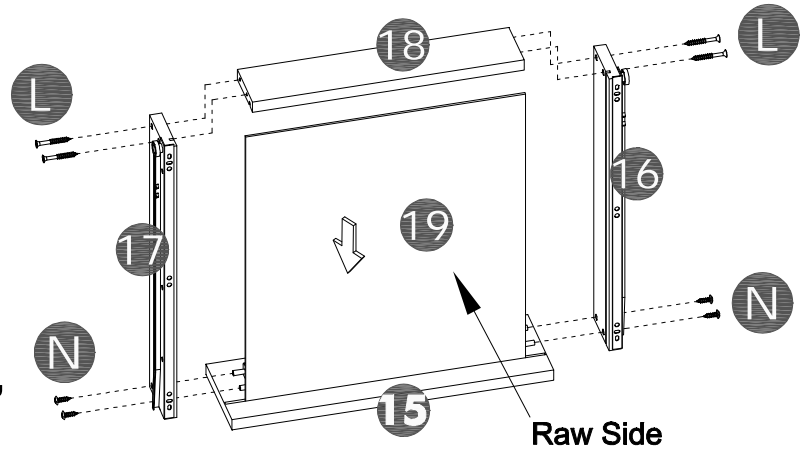
x 2

STEP 3

N x 12pcs 

L x 12pcs 

Do not use power screw driver,
use manual screw driver.

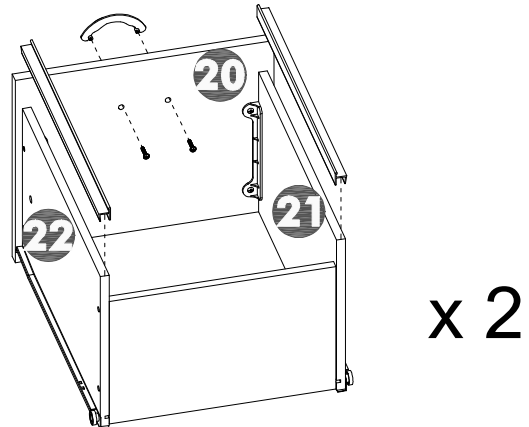
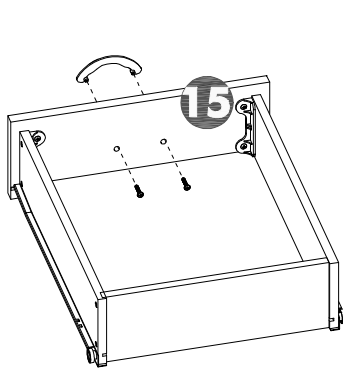


STEP 4

F x 3pcs 

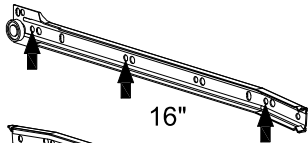
H x 4pcs 

G x 6pcs 

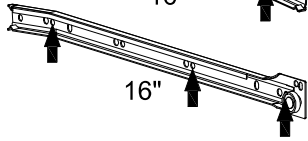


STEP 5

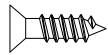
V x 2pcs



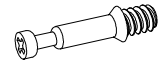
W x 2pcs



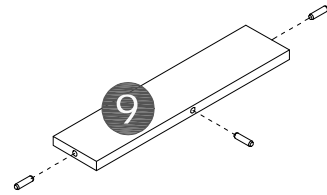
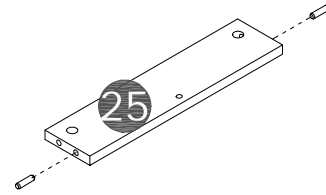
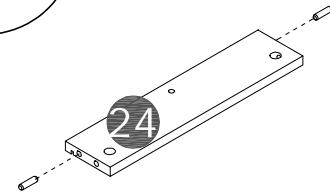
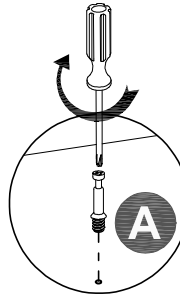
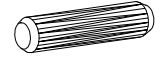
I x 12pcs



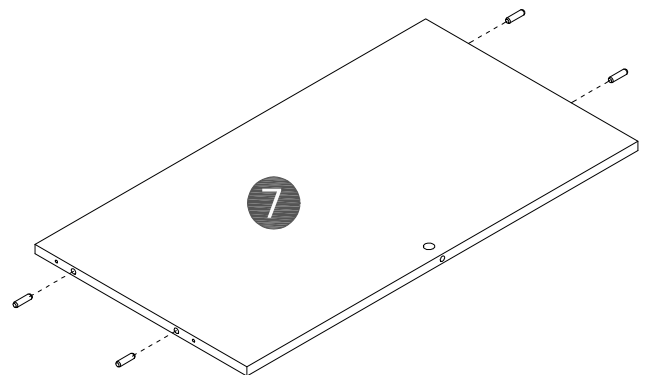
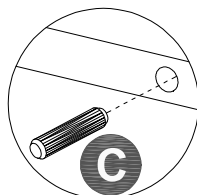
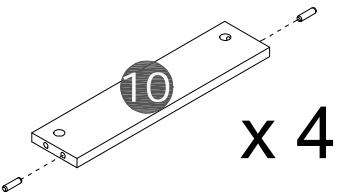
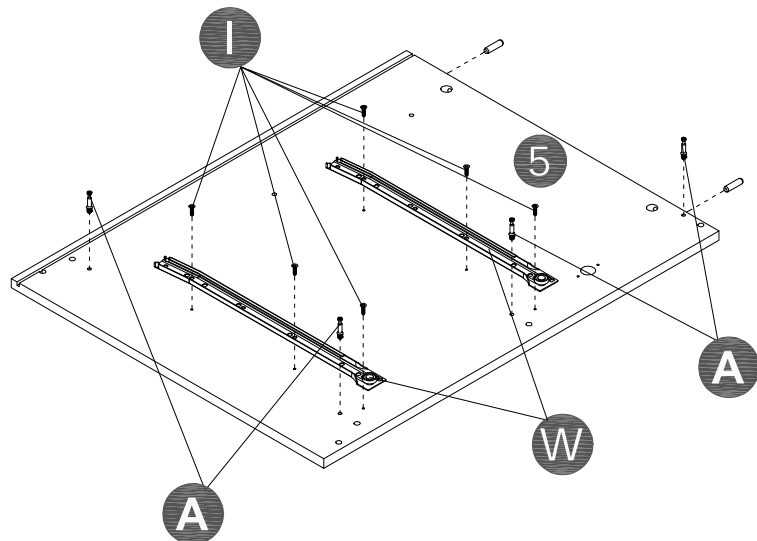
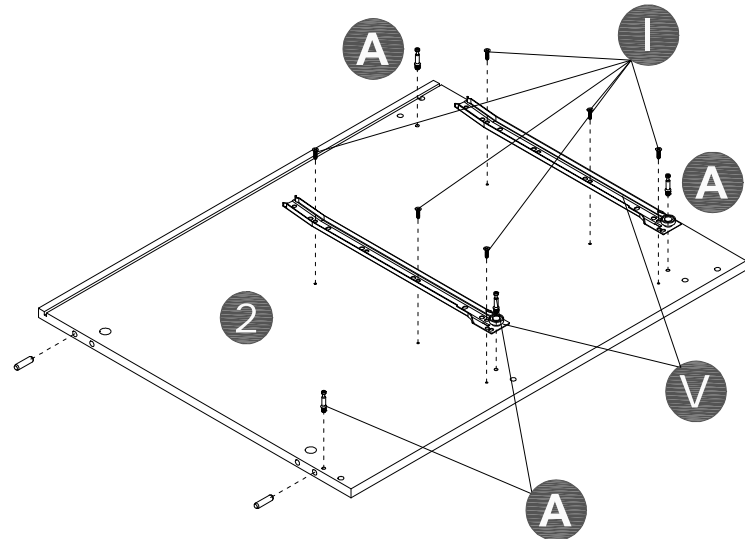
A x 8pcs



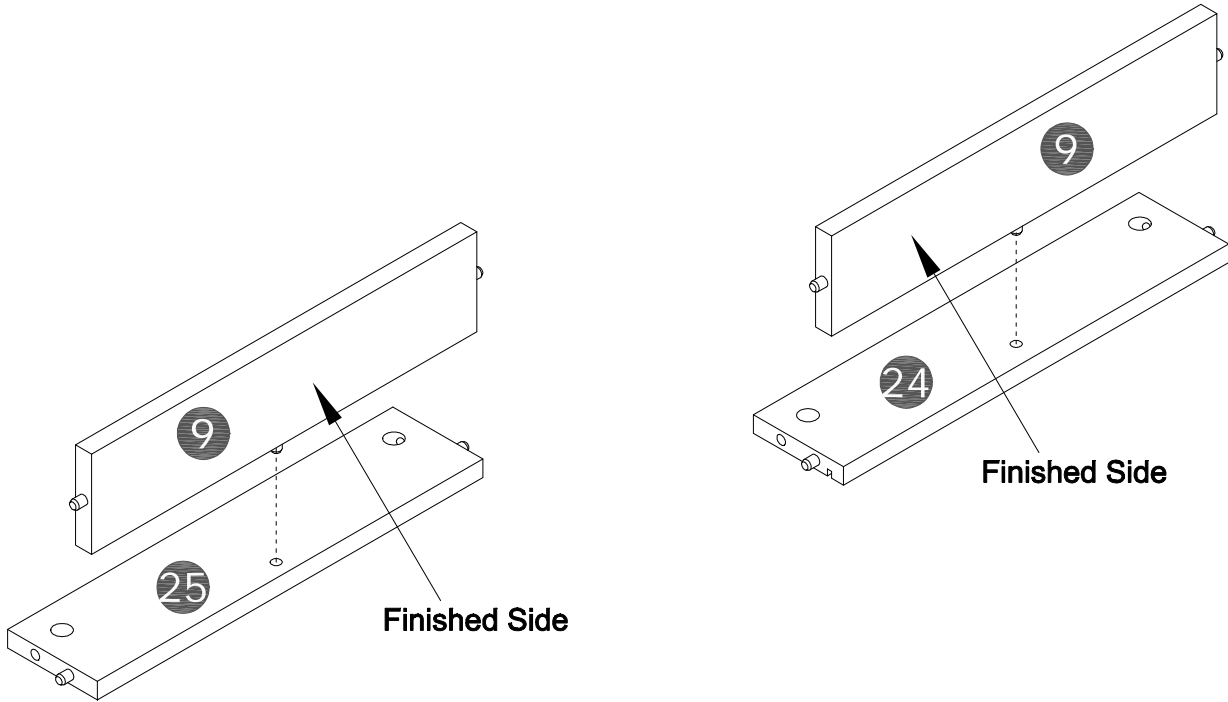
C x 32pcs



x 4

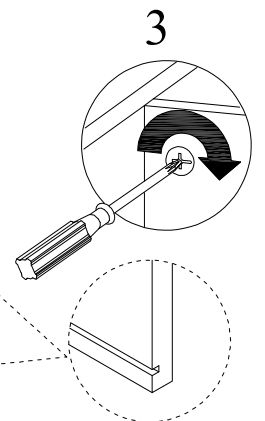
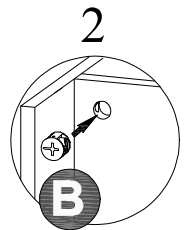
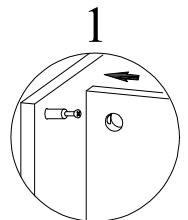
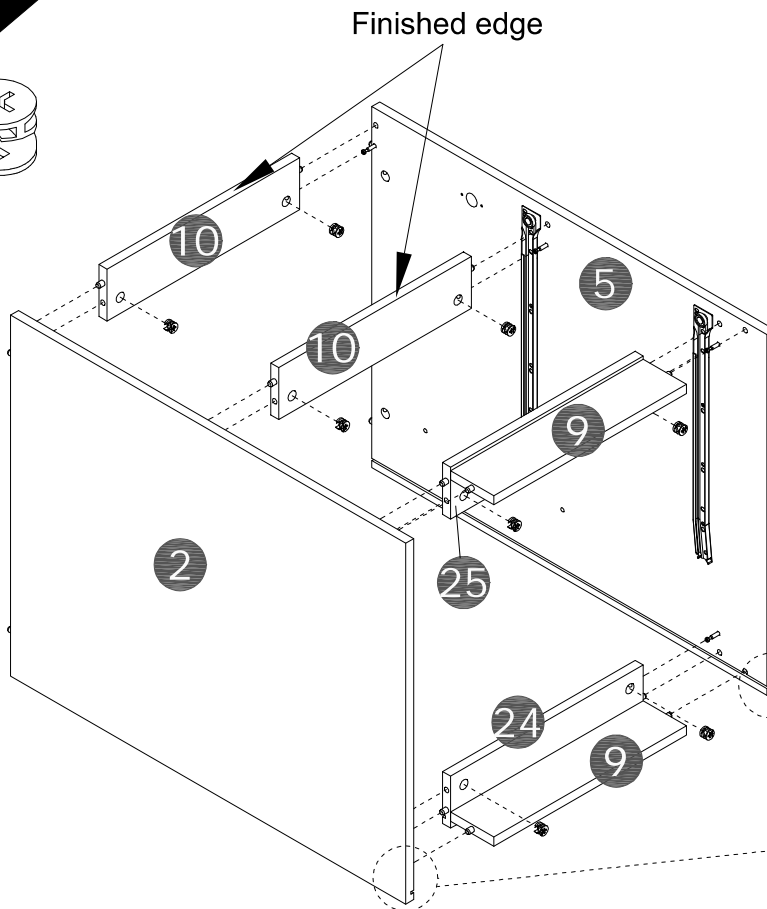


STEP 6



STEP 7

B x 8pcs

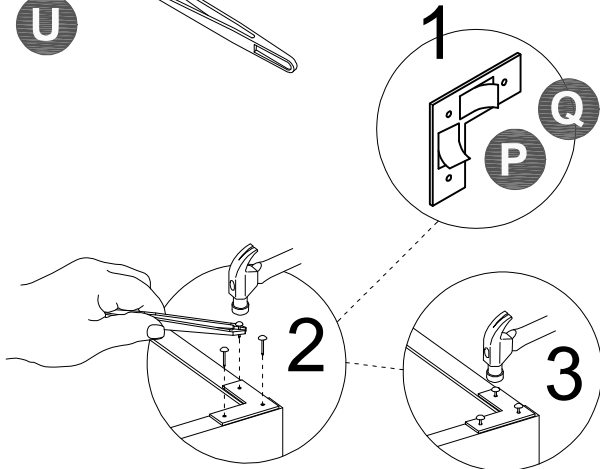


STEP 8

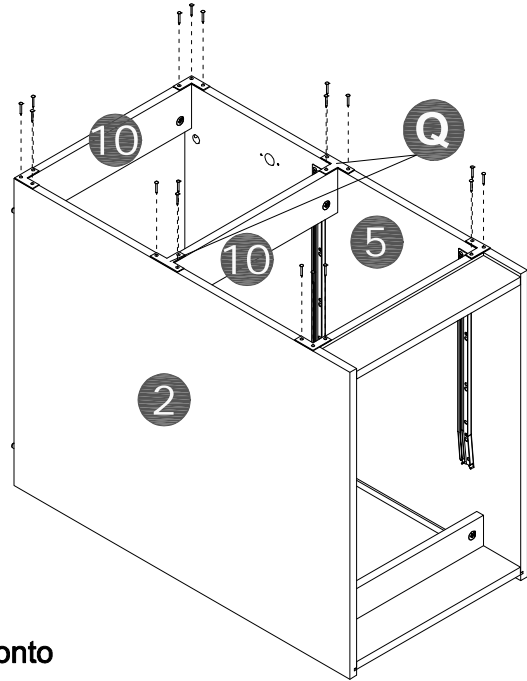
O x 18pcs 

P x 4pcs 

U 

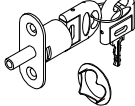


Q x 2pcs 

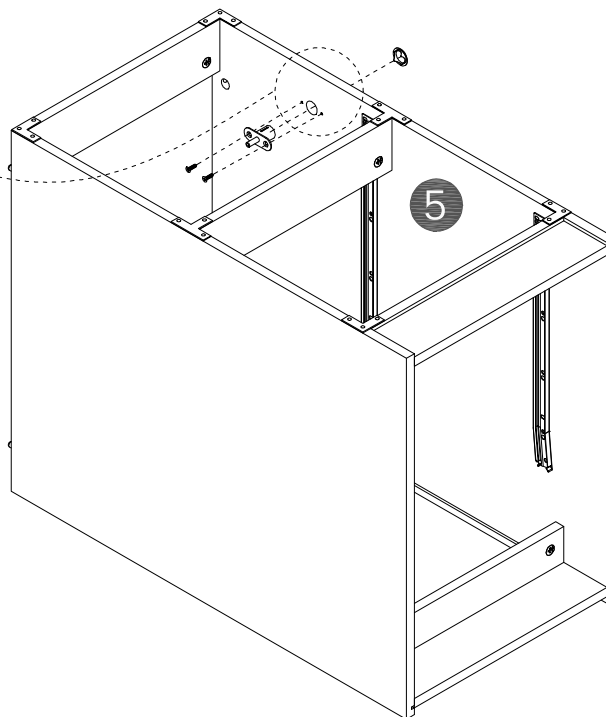
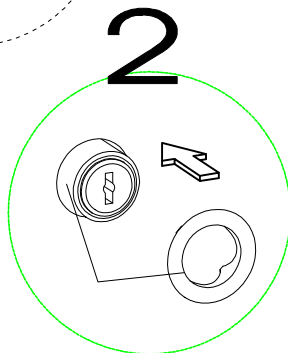
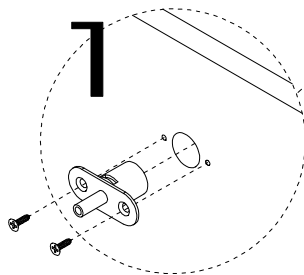


Peel off the adhesive sticker's protective paper and bond it onto the designated position before secure with nails.

STEP 9

BB x 1pc 

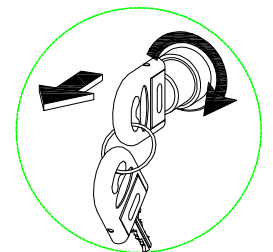
Z x 2pcs 



LOCKED

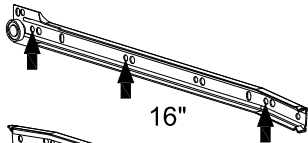


UNLOCKED

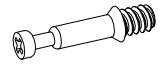


STEP 10

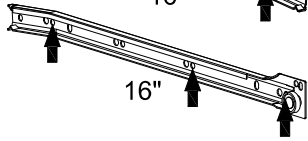
V x 1pc



A x 8pcs



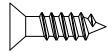
W x 1pc



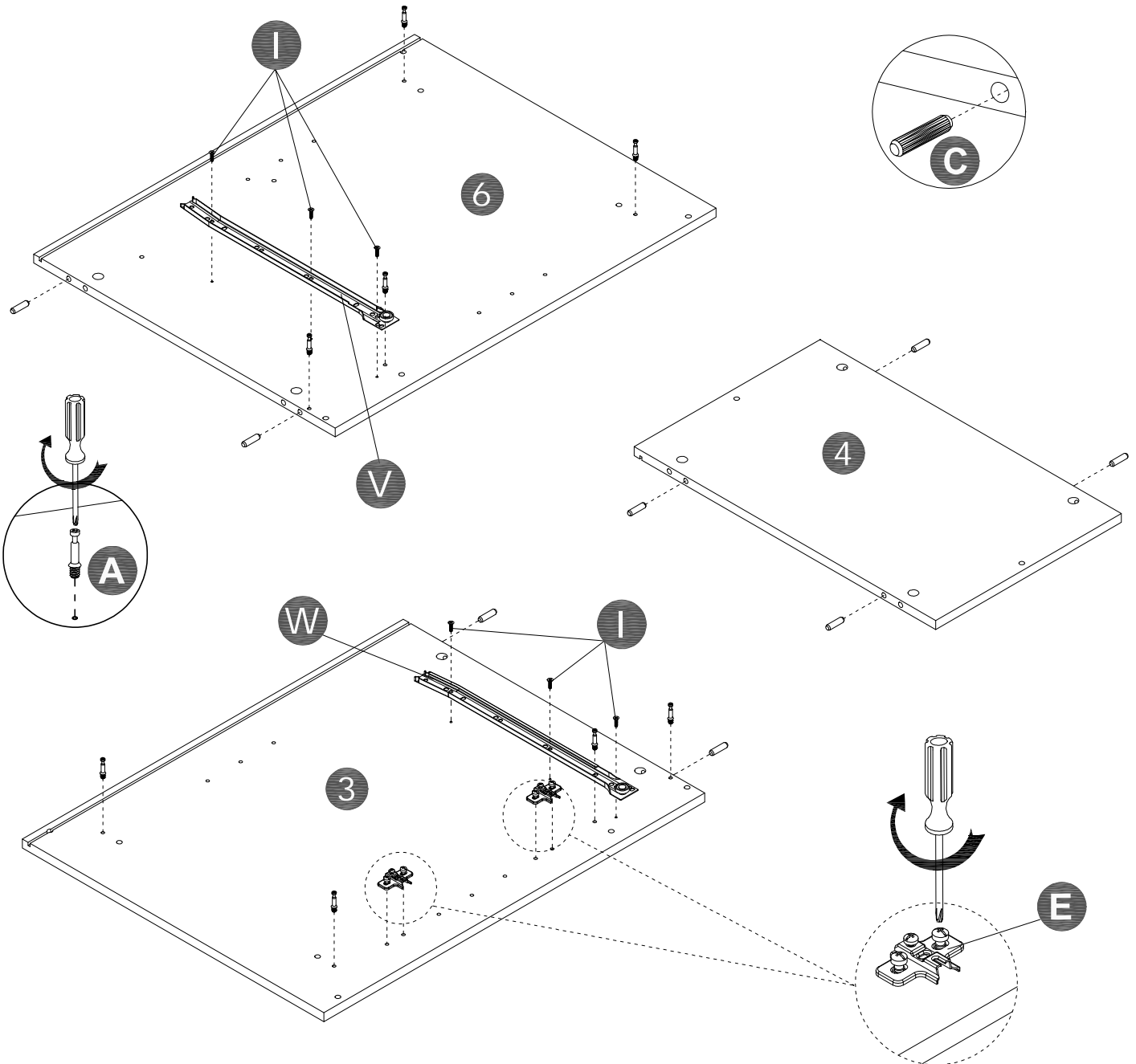
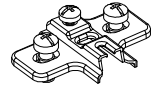
C x 8pcs



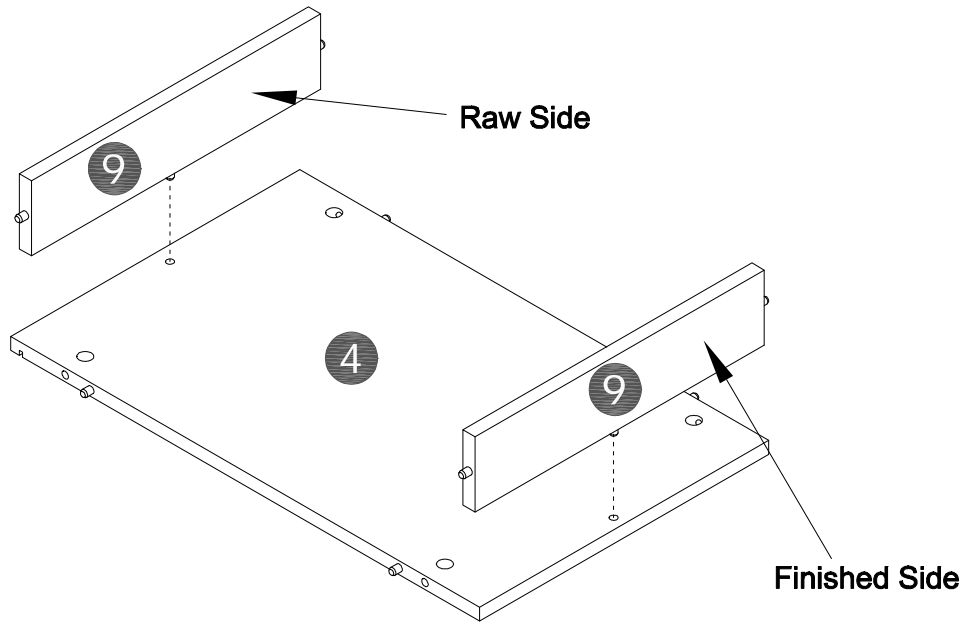
I x 6pcs



E x 2pcs

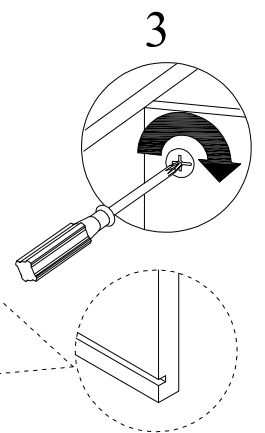
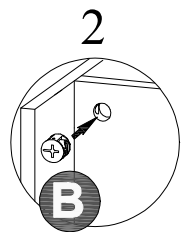
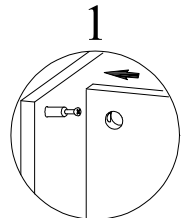
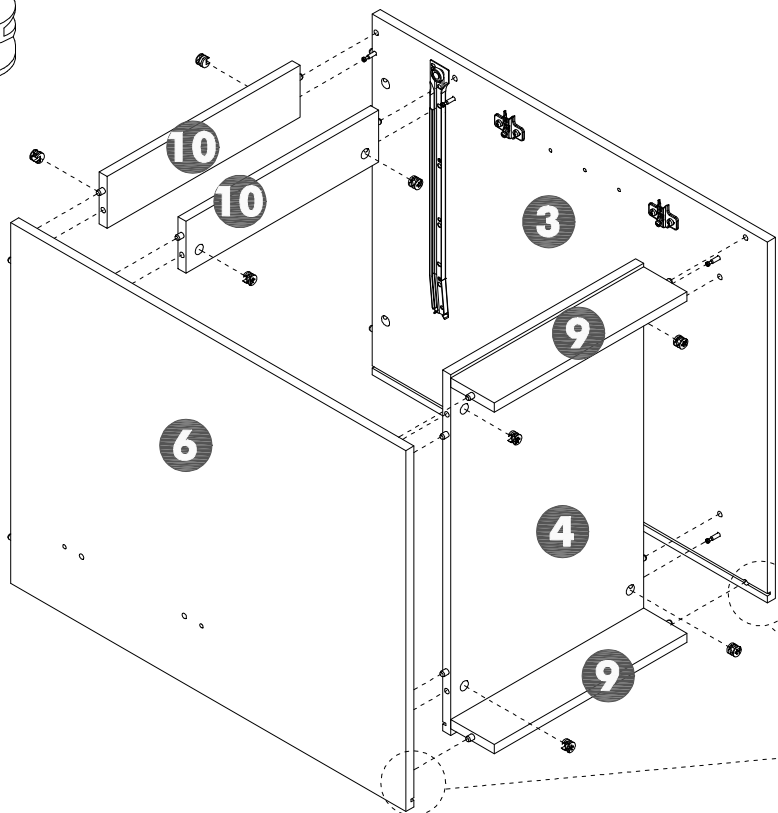


STEP 11



STEP 12

B x 8pcs



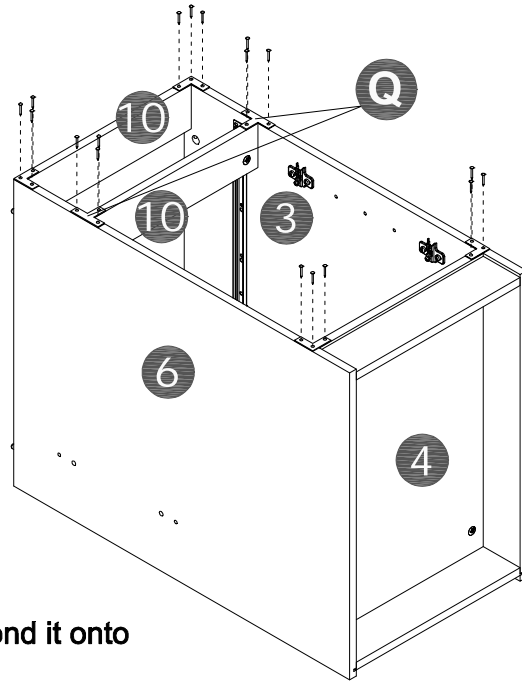
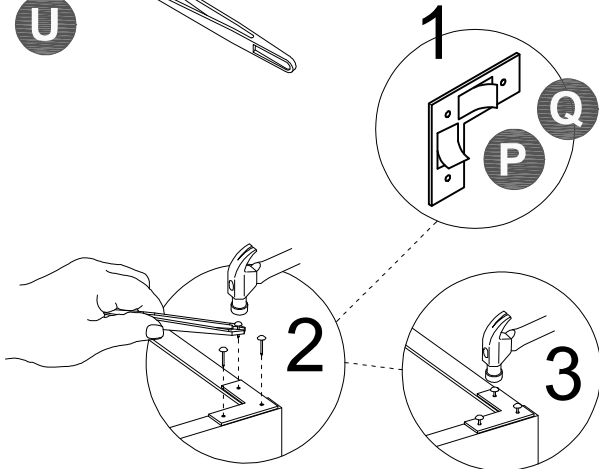
STEP 13

O x 18pcs 

Q x 2pcs 

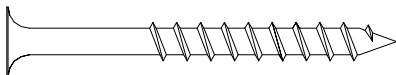
P x 4pcs 

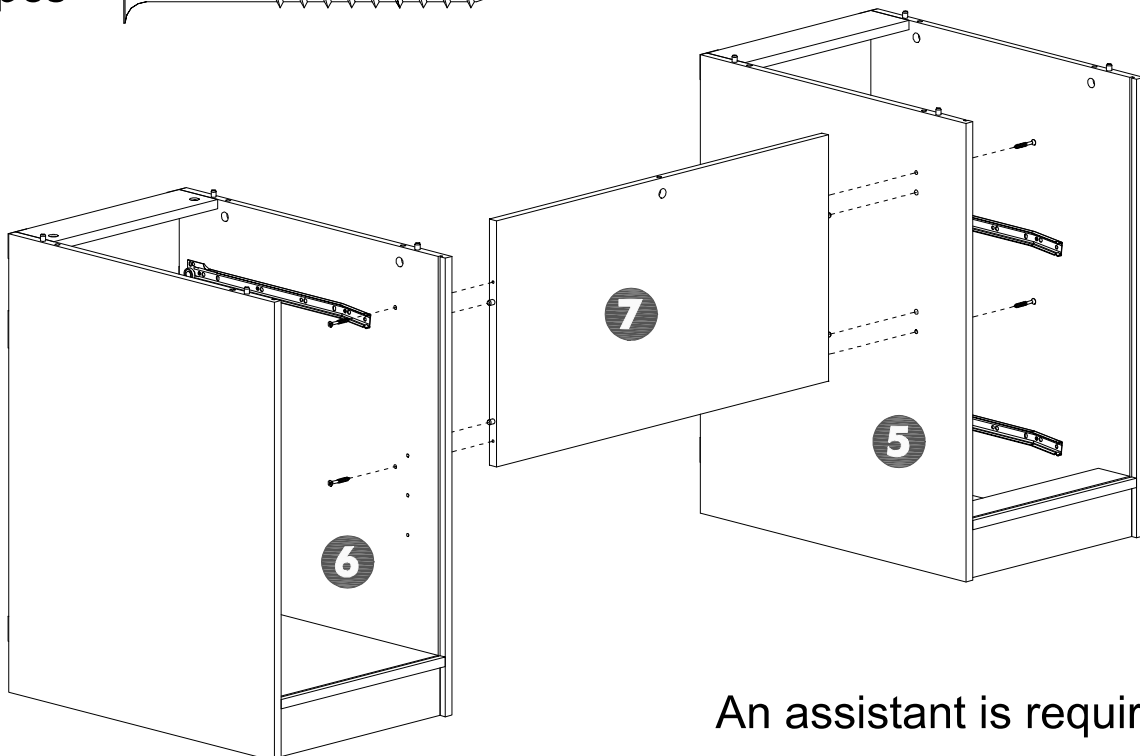
U 



Peel off the adhesive sticker's protective paper and bond it onto the designated position before secure with nails.

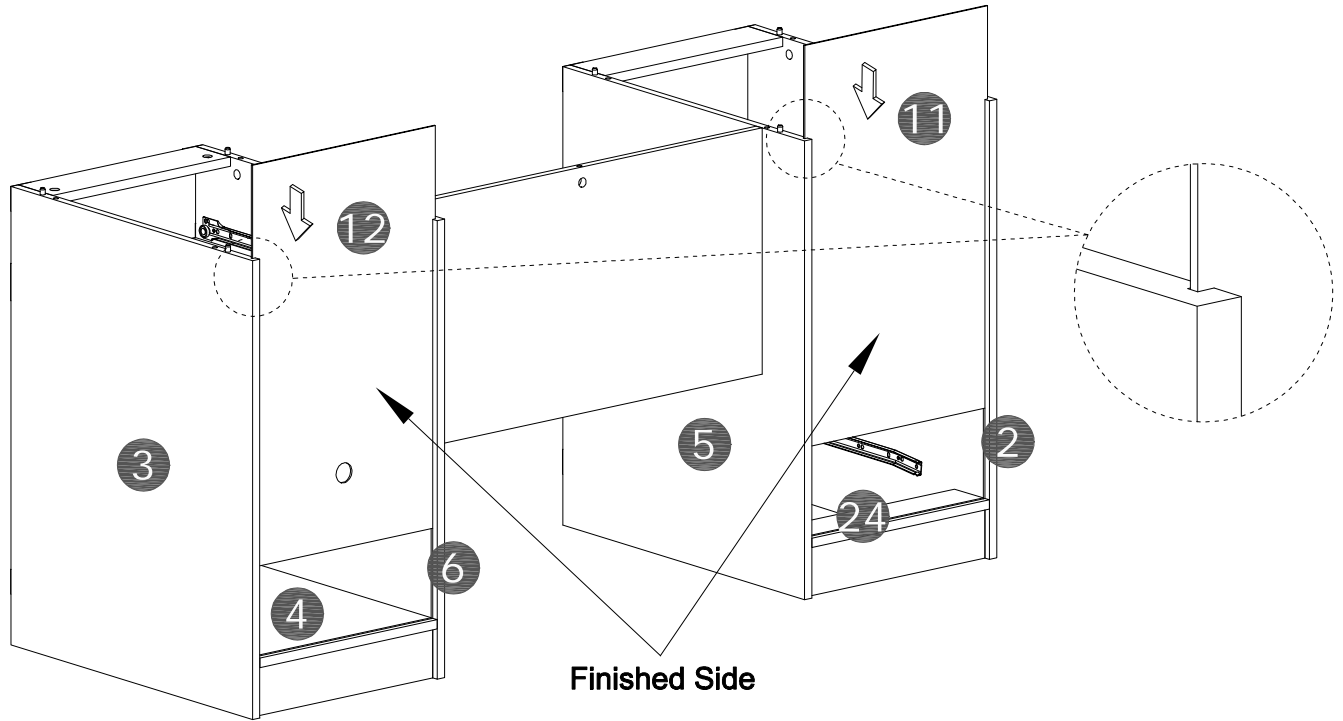
STEP 14

K x 4pcs 



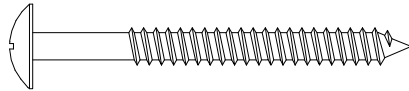
An assistant is required.

STEP 15

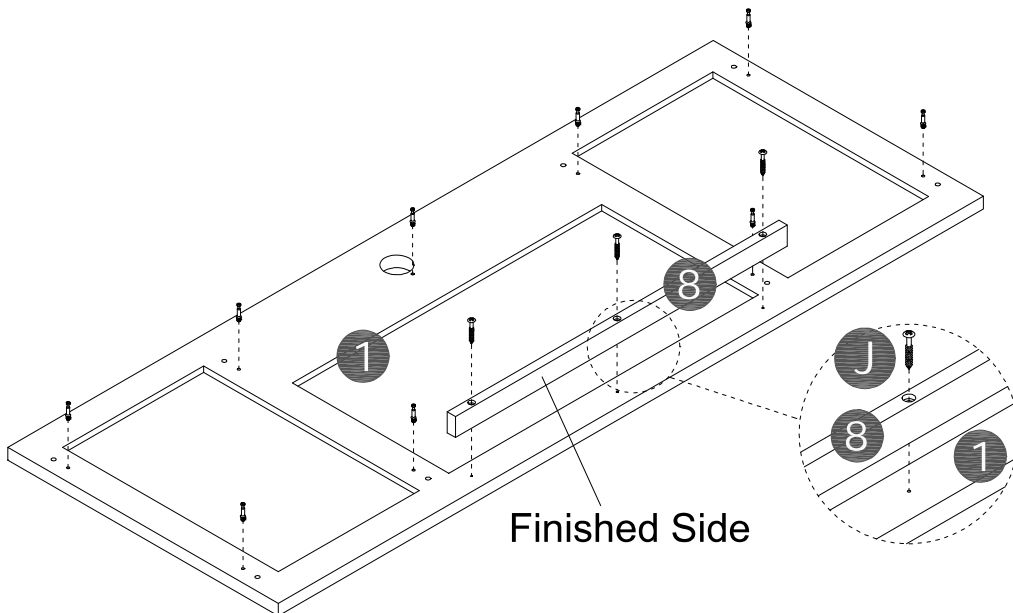
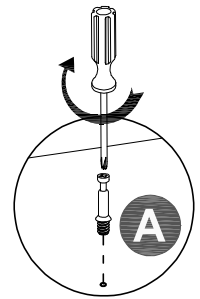
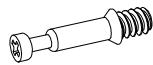


STEP 16

● J x 3pcs

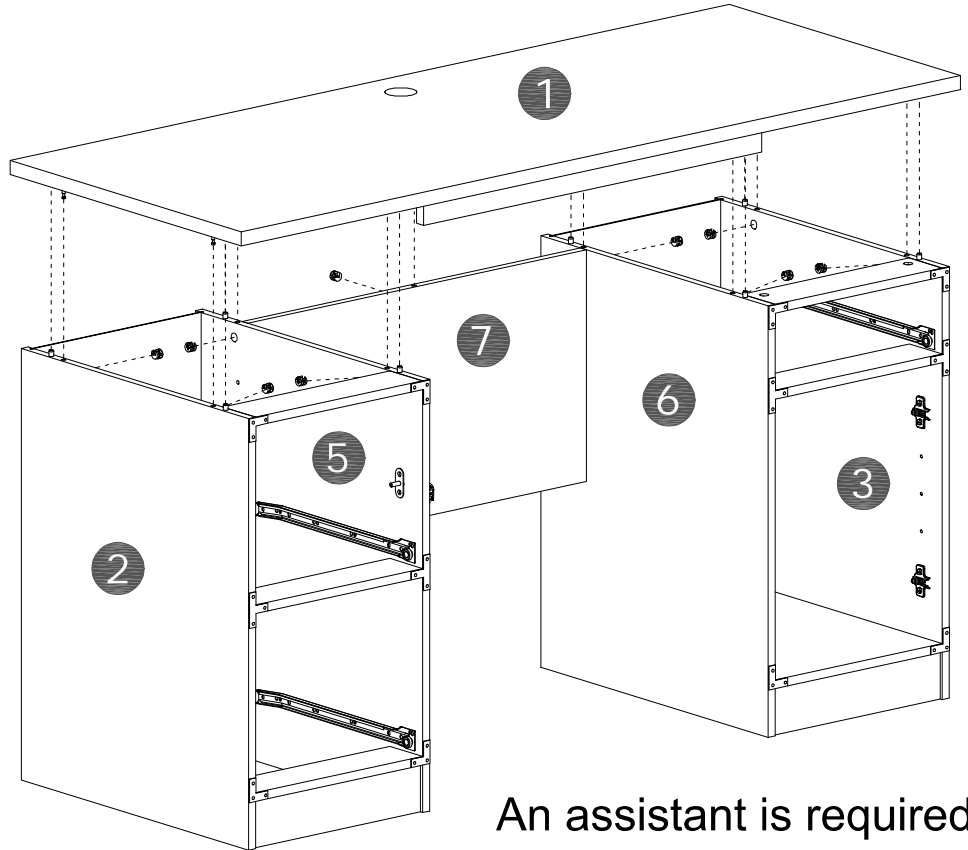
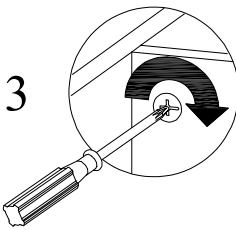
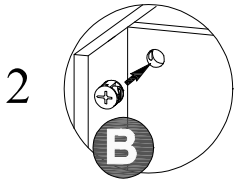
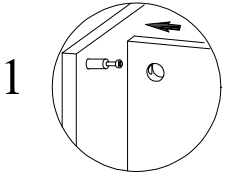


● A x 9pcs



STEP 17

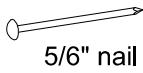
B x 9pcs



An assistant is required.

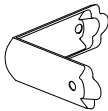
STEP 18

R x 8pcs

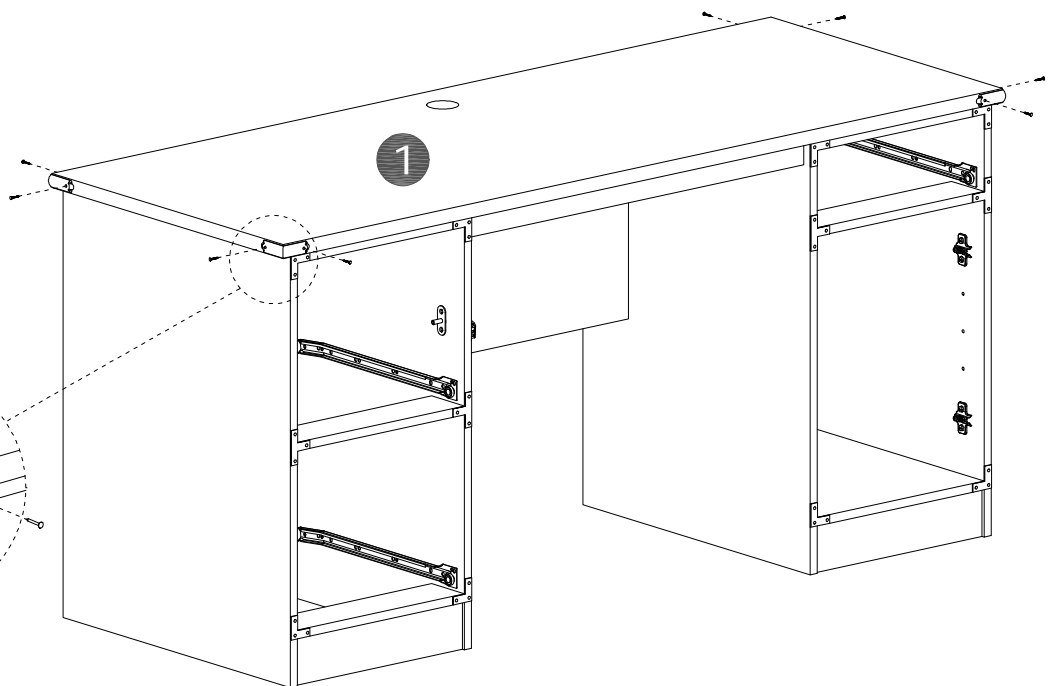
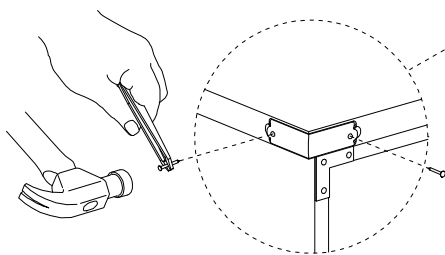
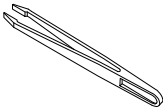


5/6" nail

S x 4pcs

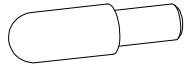


U

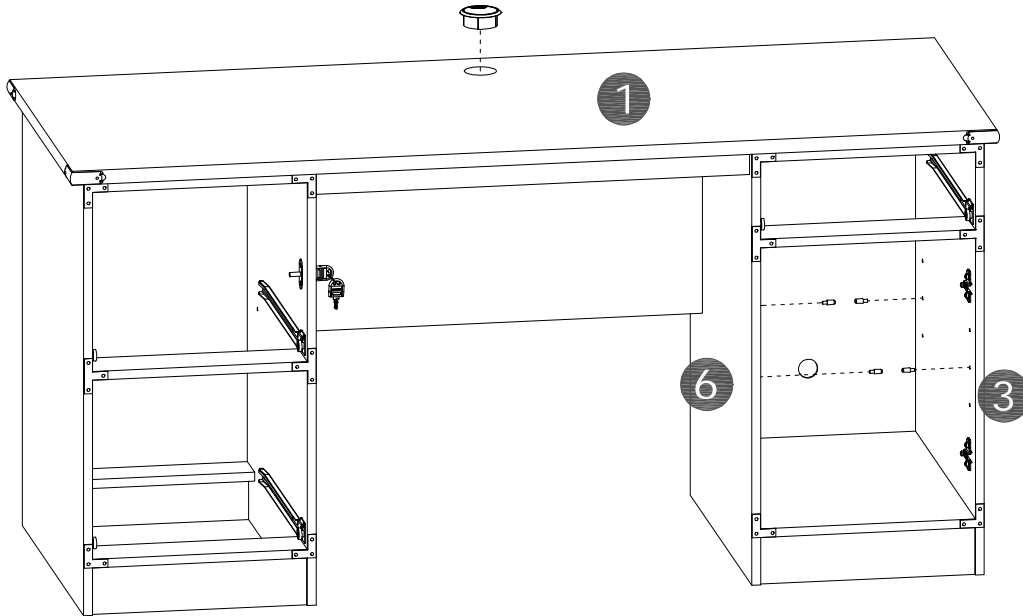
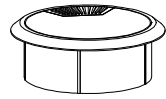


STEP 19

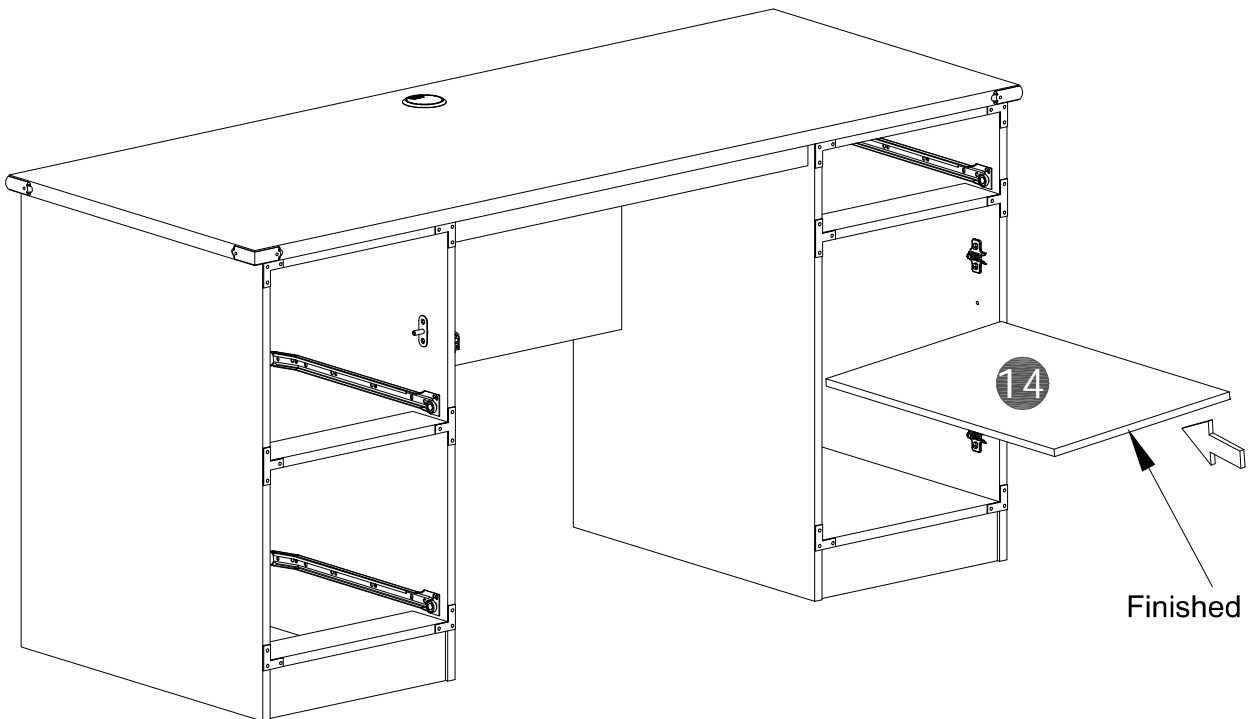
AA x 4pcs



T x 1pc



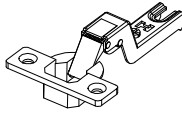
STEP 20



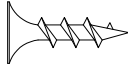
Finished edge

STEP 21

D x 2pcs



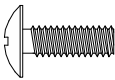
Z x 4pcs



F x 1pc

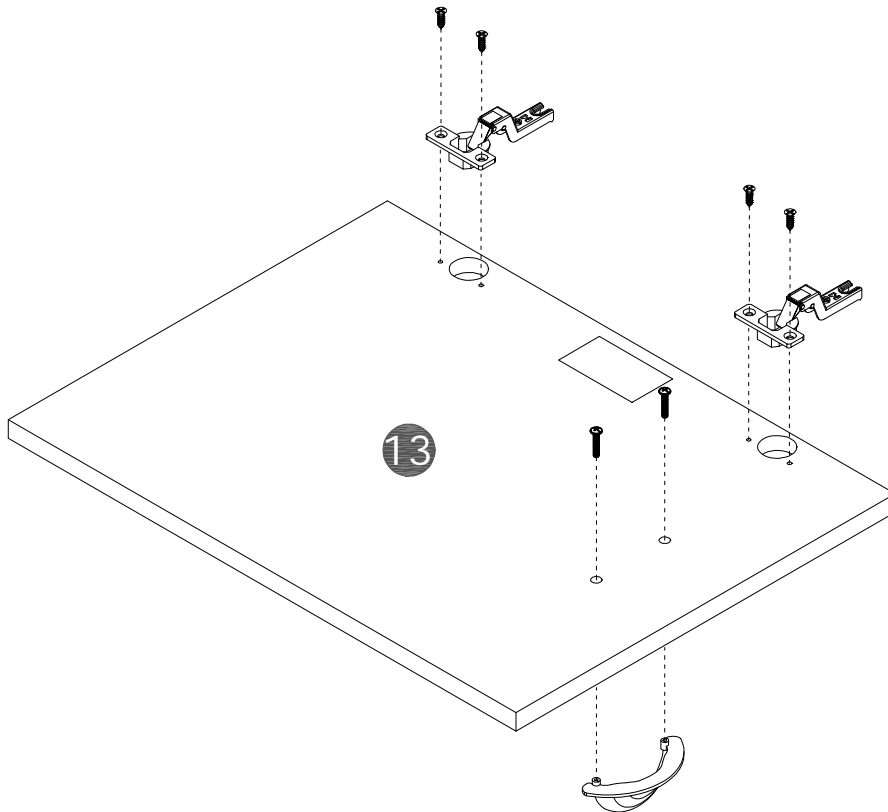


G x 2pcs



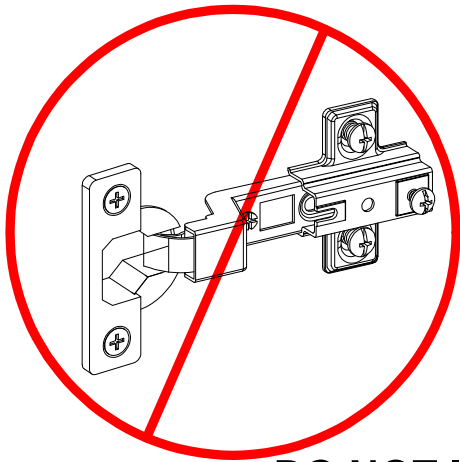
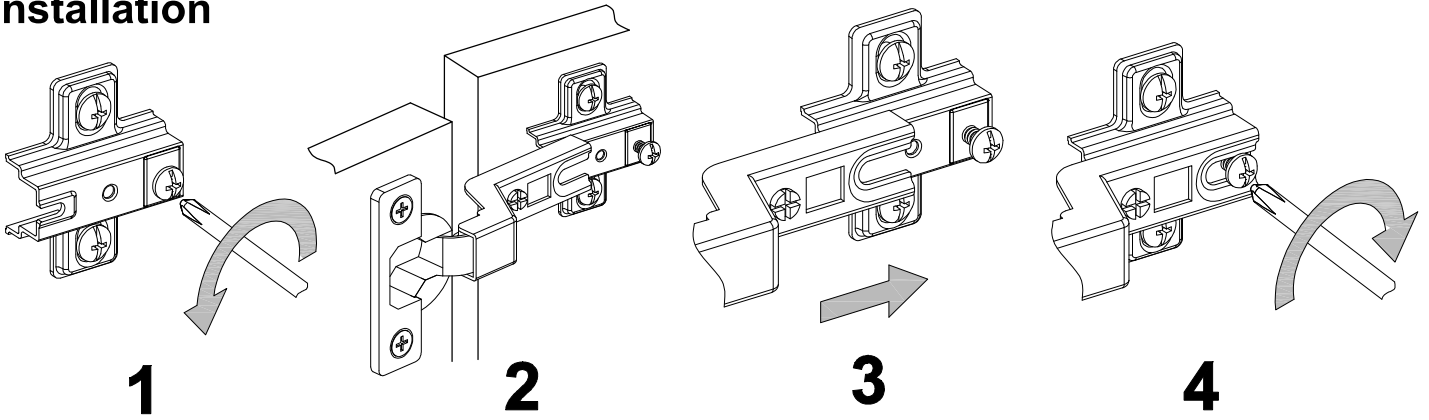
WARNING

Caution, Storing electronic equipment may result in equipment overheating.
Shelves located behind doors are not intended for storing electronic equipment. Placing electronic equipment in this area may result in equipment overheating

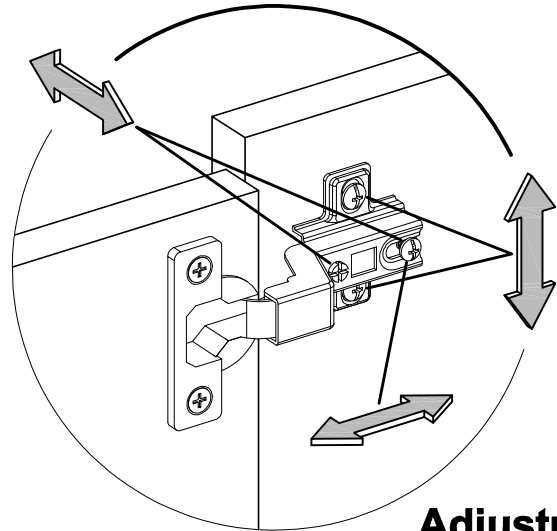


STEP 22

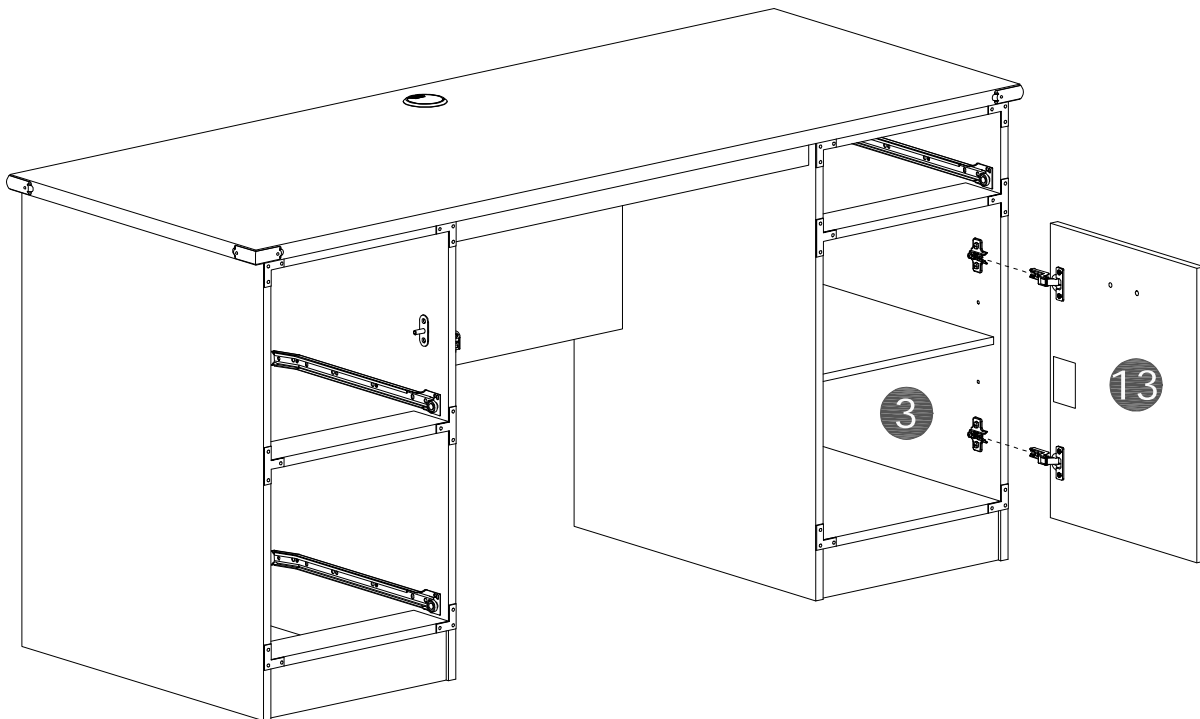
Installation



**DO NOT Insert
Hinge beneath mount**



Adjustment



STEP 23

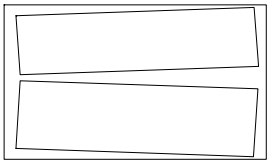
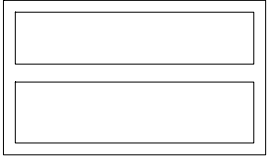
- Move unit to final location.
- Adjust drawer fronts as shown below.

Step1--Loosen screws on back of drawer front brackets as shown.

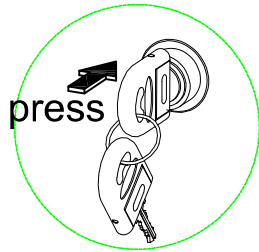
Step2--Position drawer front as required.

Step3--Tighten screws while holding drawer front in position.

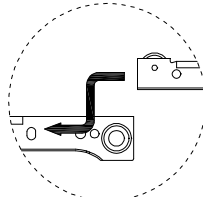
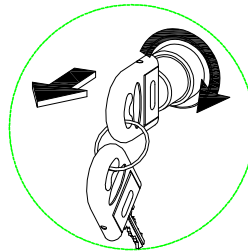
DRAWER FRONT VIEW



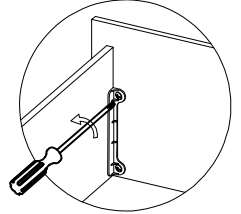
LOCKED



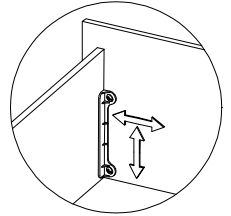
UNLOCKED



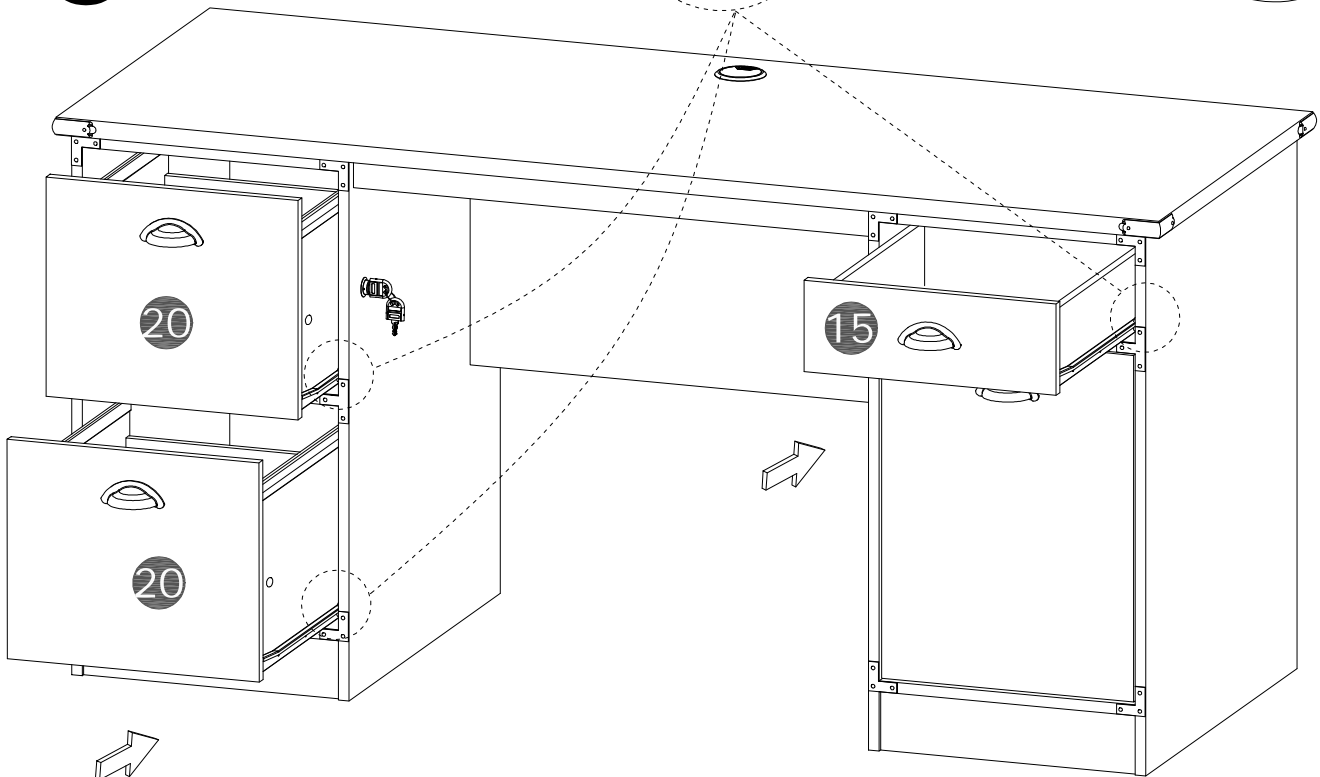
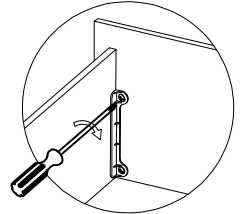
STEP 1.



STEP 2.



STEP 3.



Maximum weight capacities

