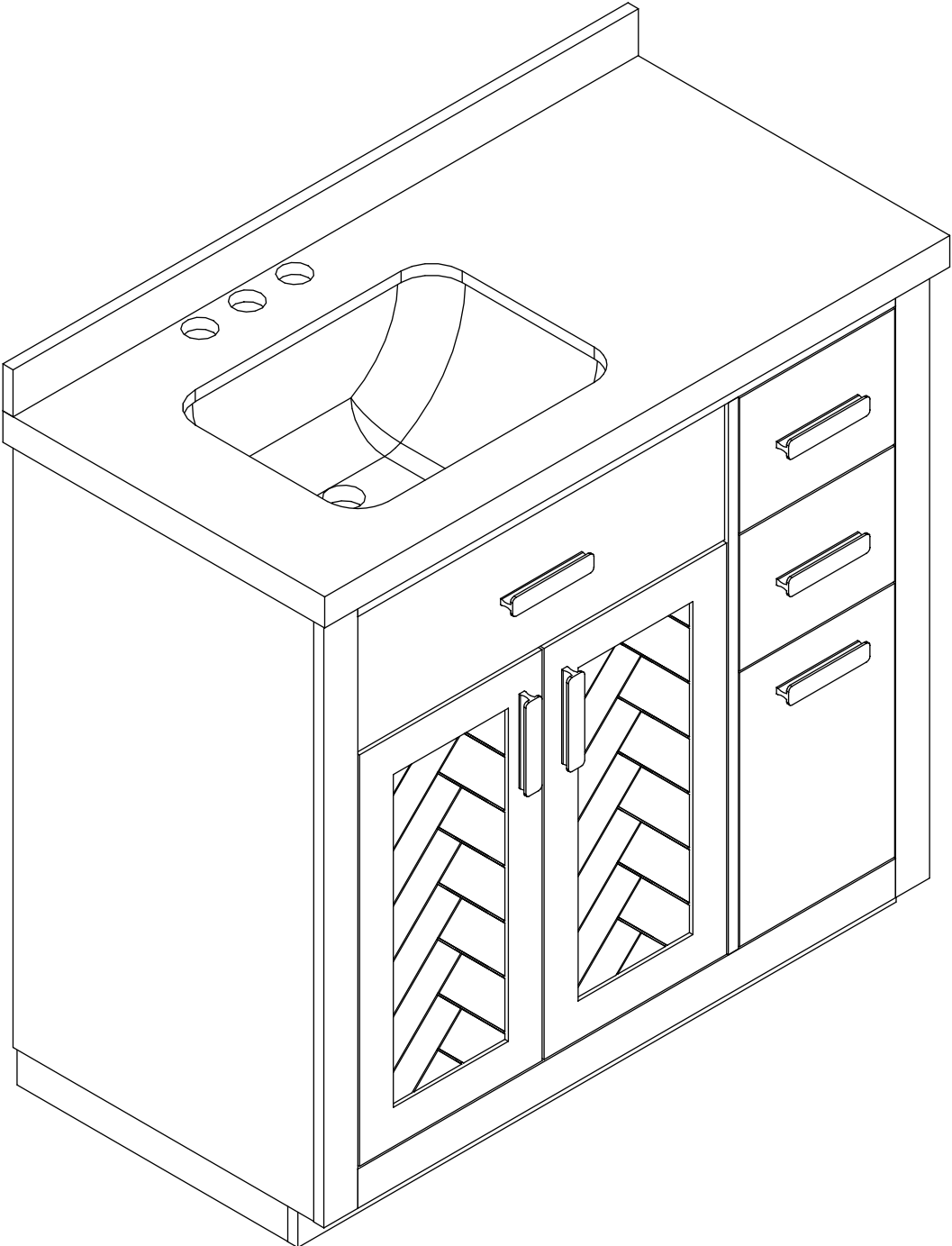
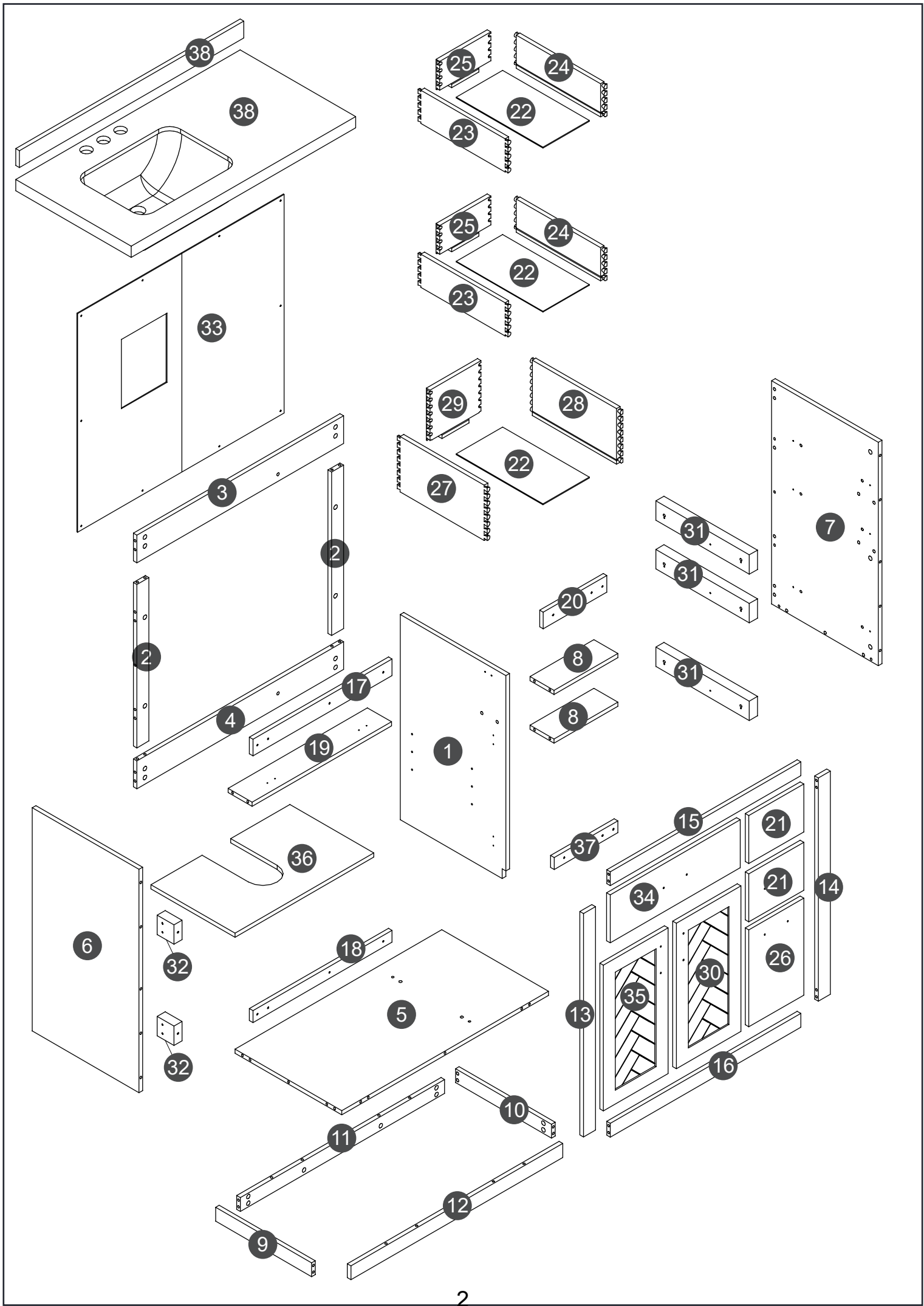
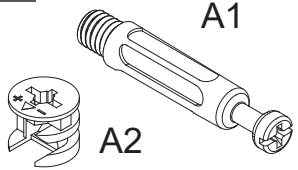
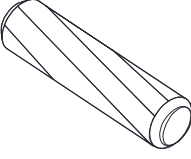
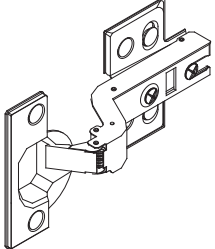
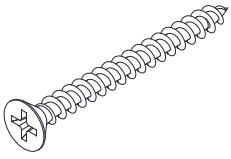
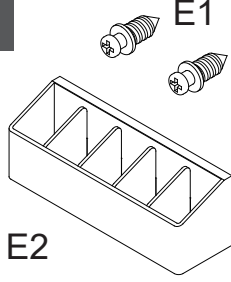

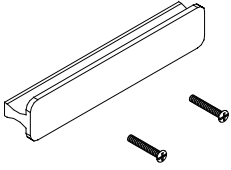

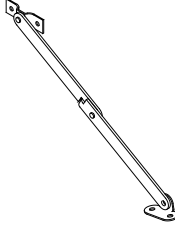
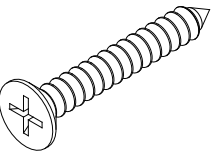
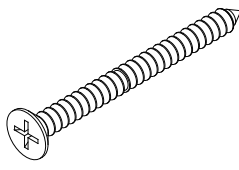
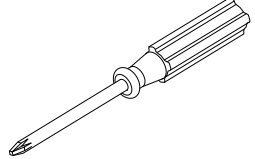
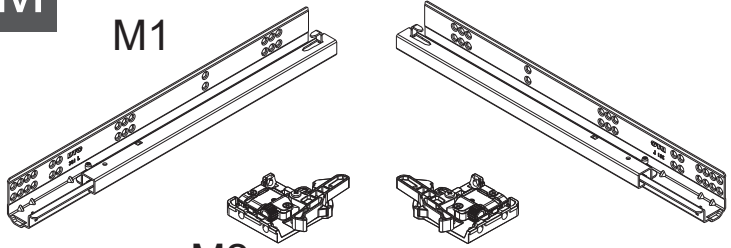
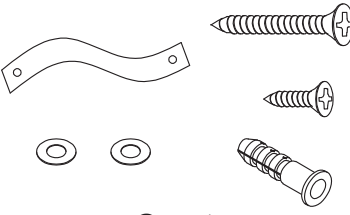


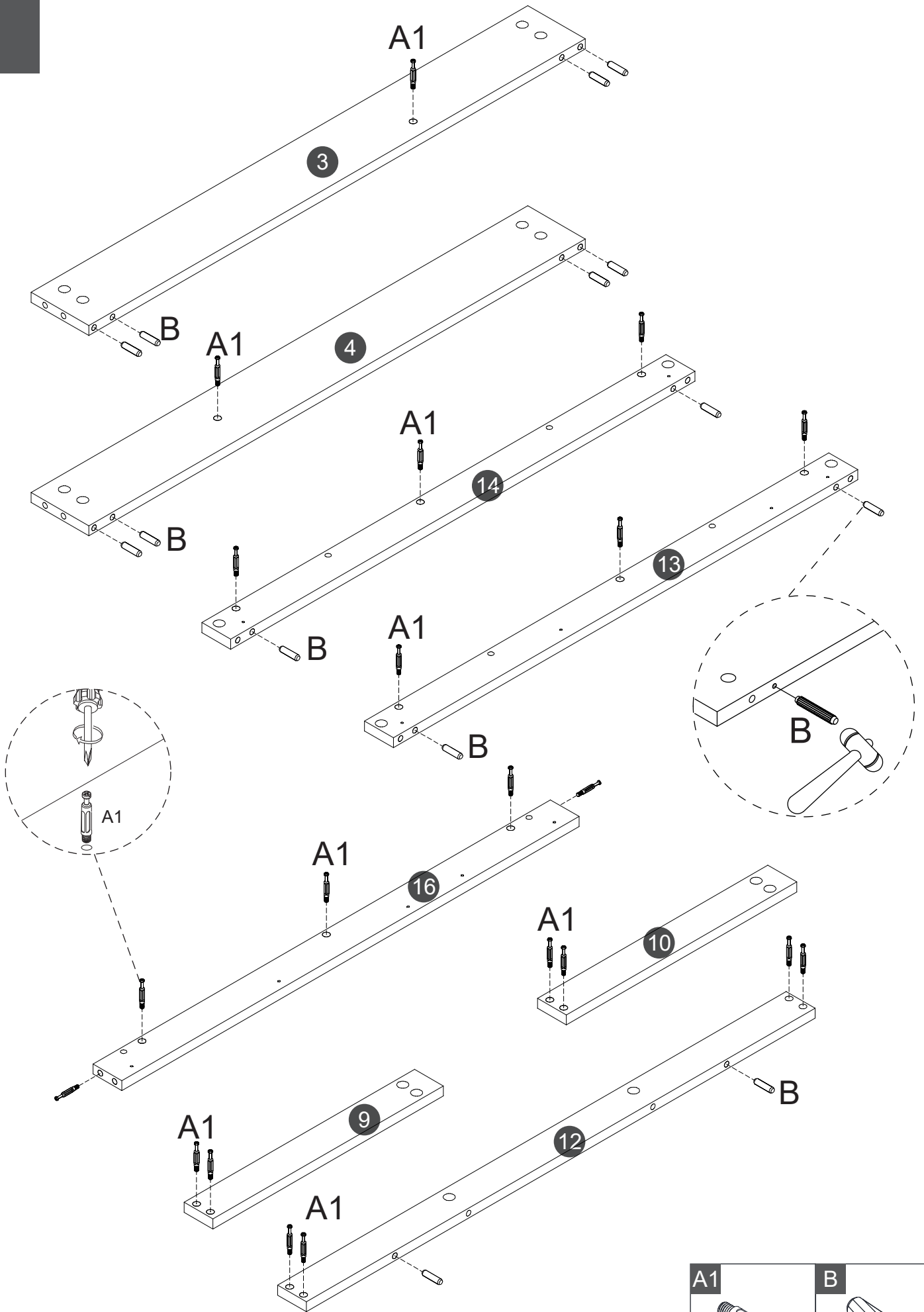
# INSTALLATION & ASSEMBLY

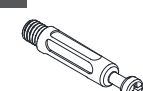
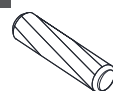




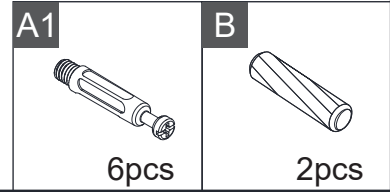
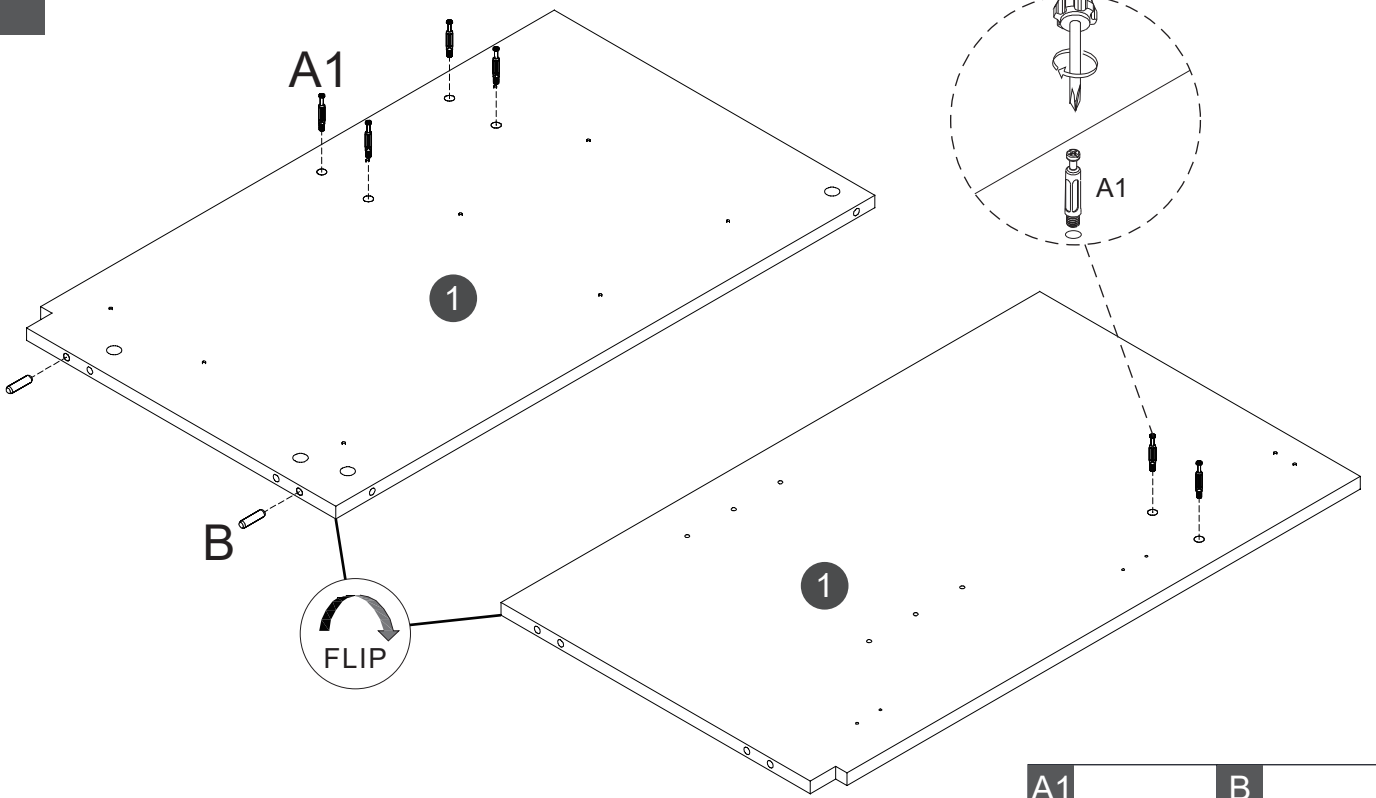
<p><b>A</b></p>  <p>A1 A2</p> <p>59+2sets</p>	<p><b>B</b></p> <p>Φ8*30</p>  <p>34+2pcs</p>	<p><b>C</b></p>  <p>6pcs</p>
<p><b>D</b></p> <p>3.5*30</p>  <p>10+1pcs</p>	<p><b>E</b></p> <p>E1</p>  <p>E2</p> <p>2sets</p>	<p><b>F</b></p>  <p>4pcs</p>
<p><b>G</b></p>  <p>6sets</p>	<p><b>H</b></p> <p>3.5*14</p>  <p>80+2pcs</p>	<p><b>I</b></p>  <p>1pcs</p>
<p><b>J</b></p> <p>3.5*25</p>  <p>14+1pcs</p>	<p><b>K</b></p> <p>3.5*45</p>  <p>2pcs</p>	<p><b>L</b></p>  <p>1pcs</p>
<p><b>M</b></p> <p>M1</p>  <p>M2</p> <p>3sets</p>		<p><b>N</b></p>  <p>2sets</p>

1

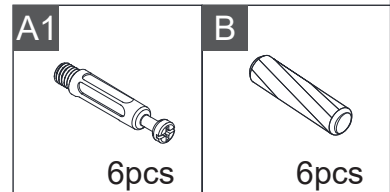
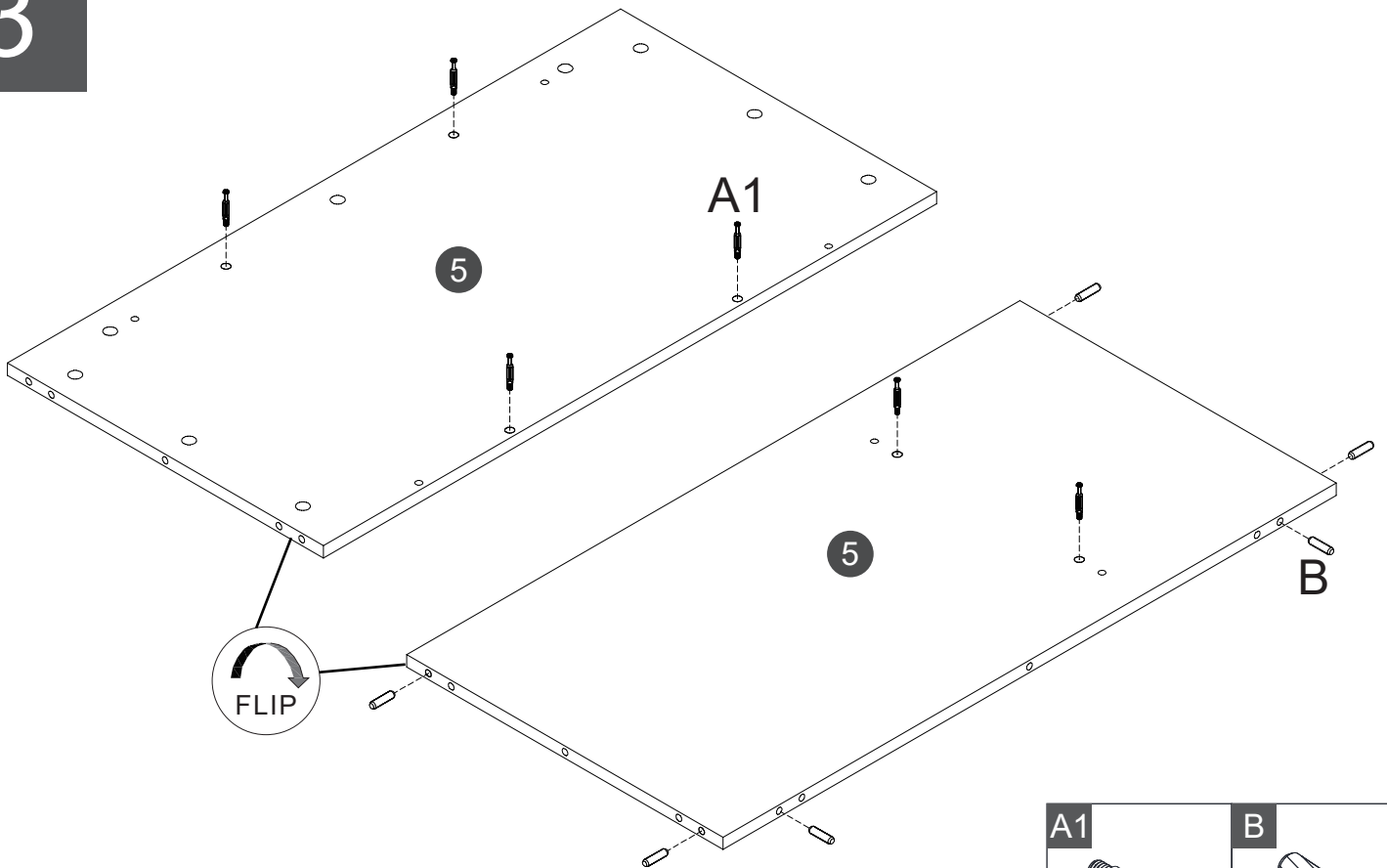


A1	B
	
21pcs	14pcs

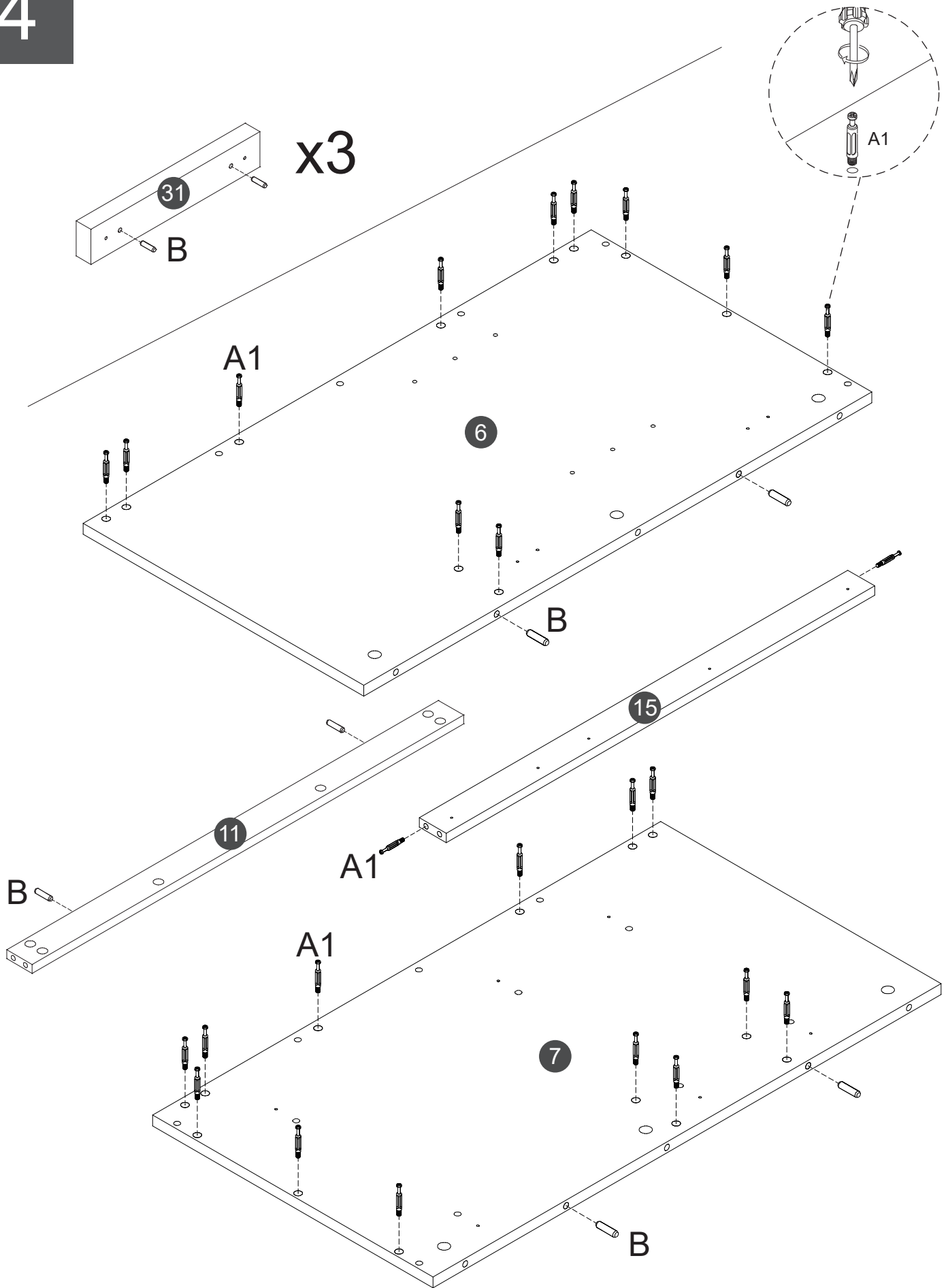
2

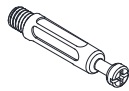
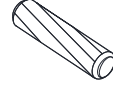


3

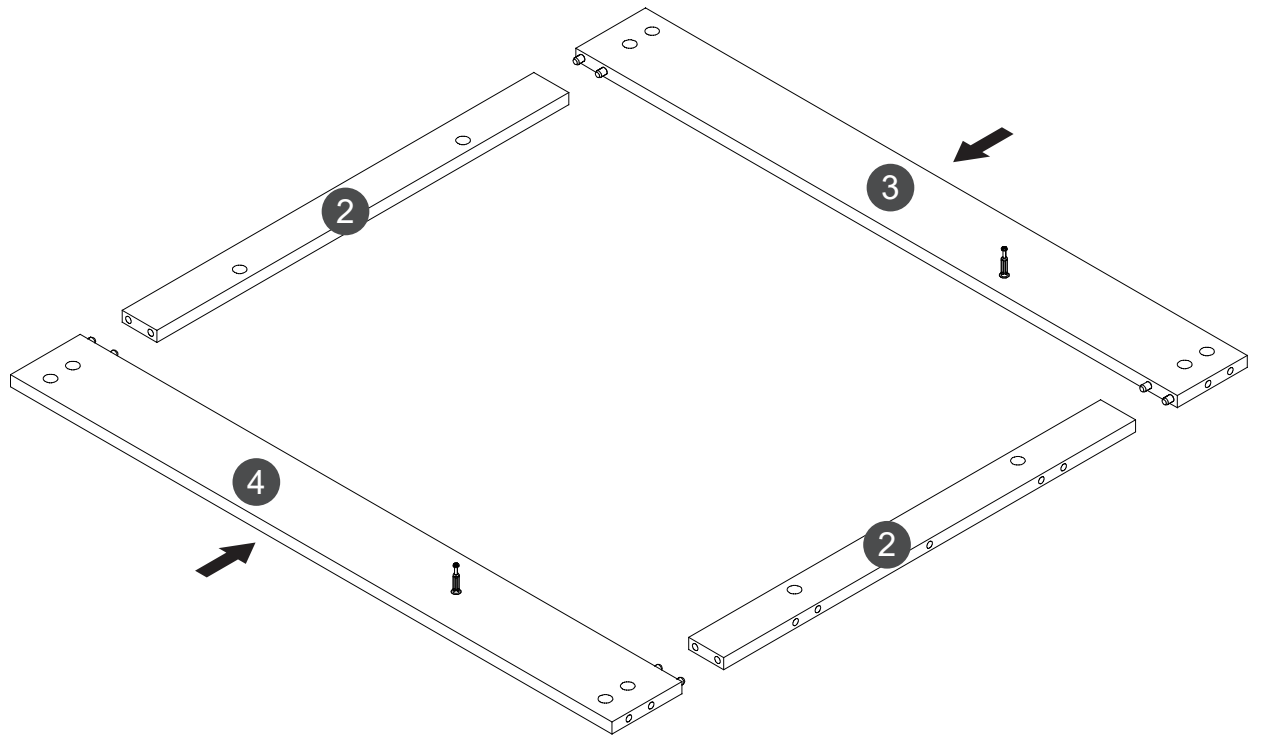


5

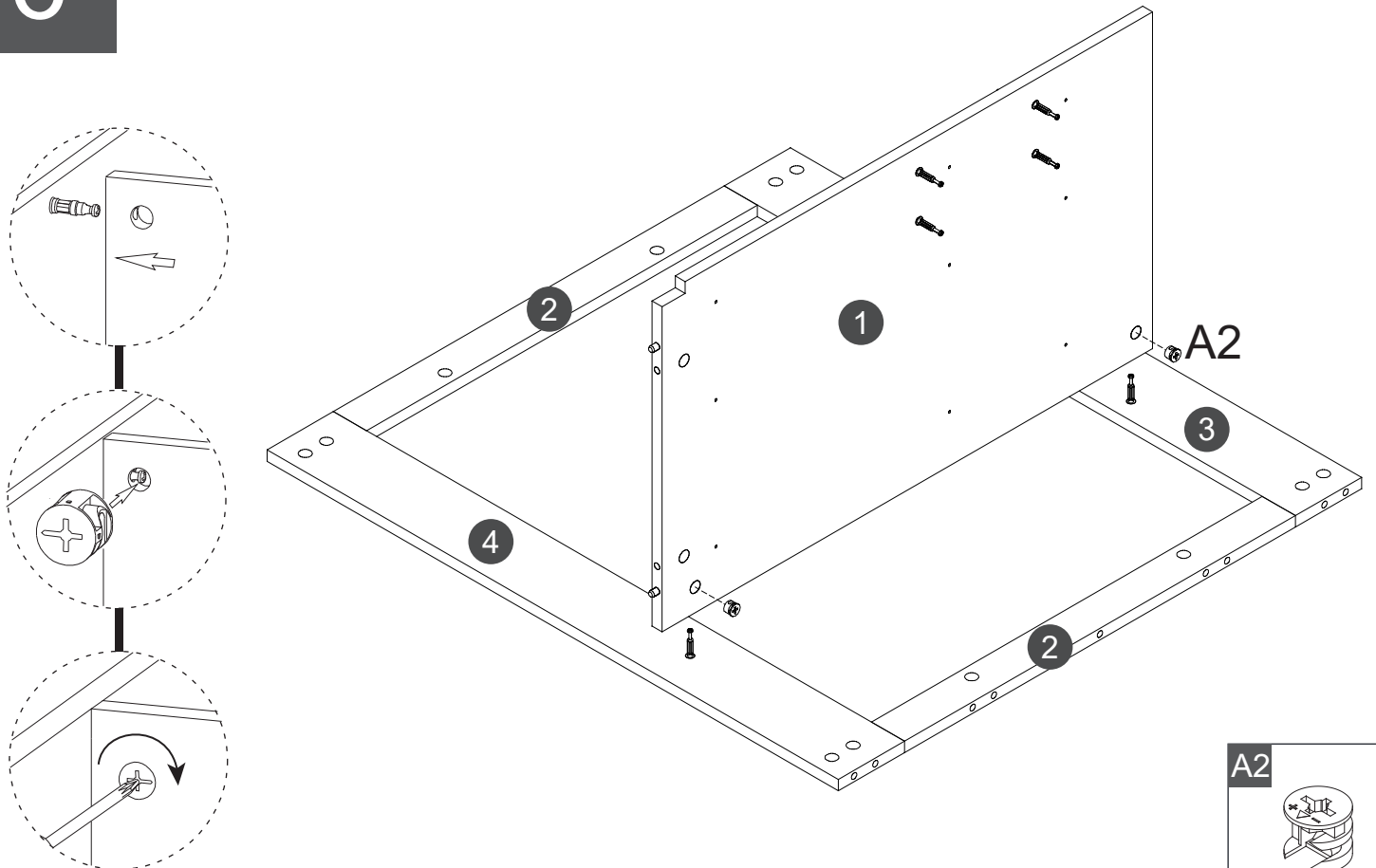


<b>A1</b>	<b>B</b>
	
26pcs	12pcs

5



6

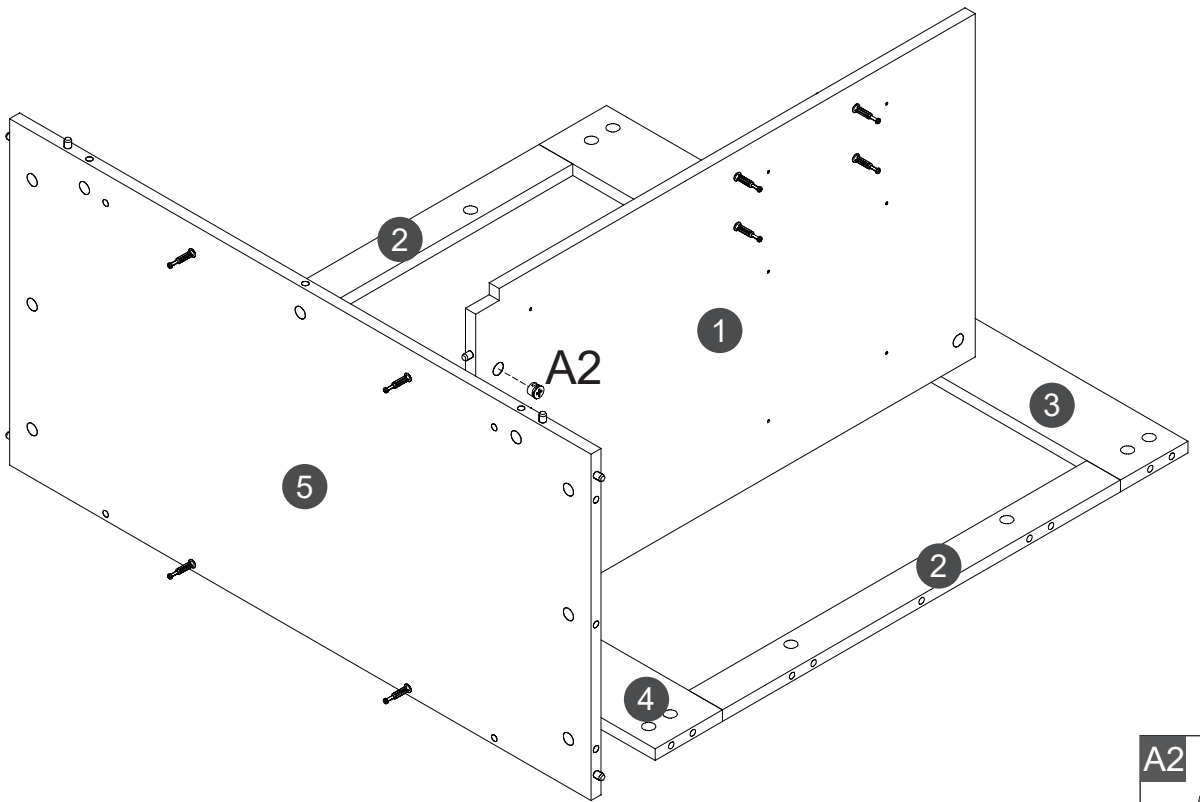
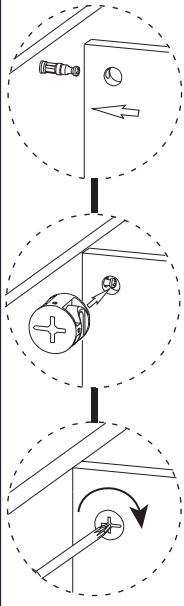


A2




2pcs

7

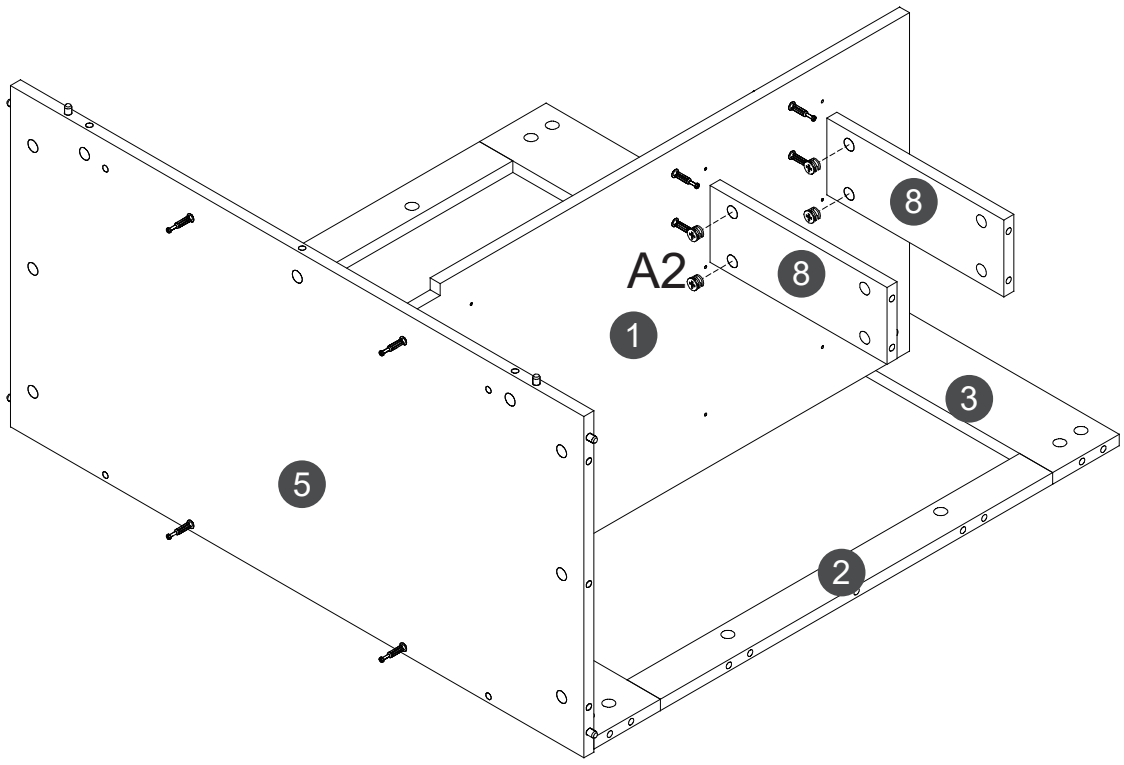


A2

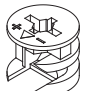


2pcs

8

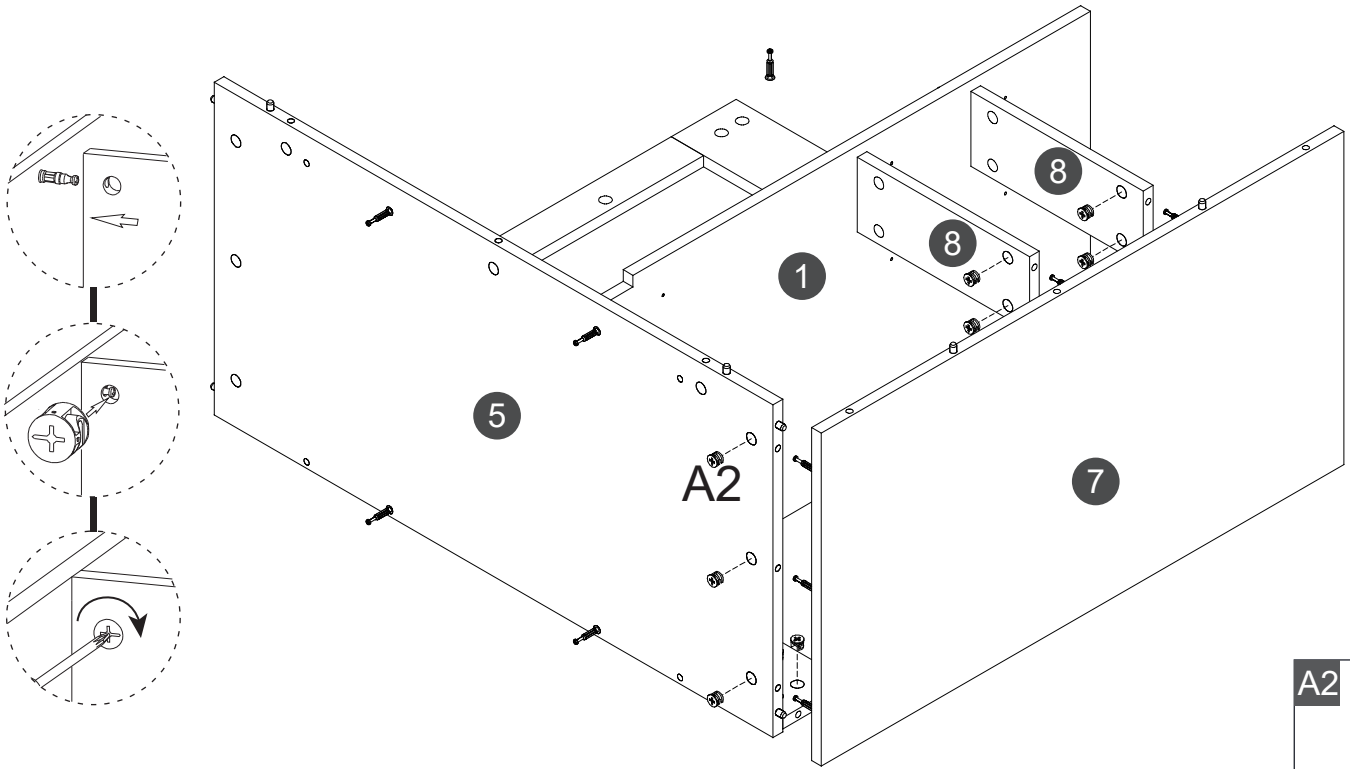


A2



4pcs

9

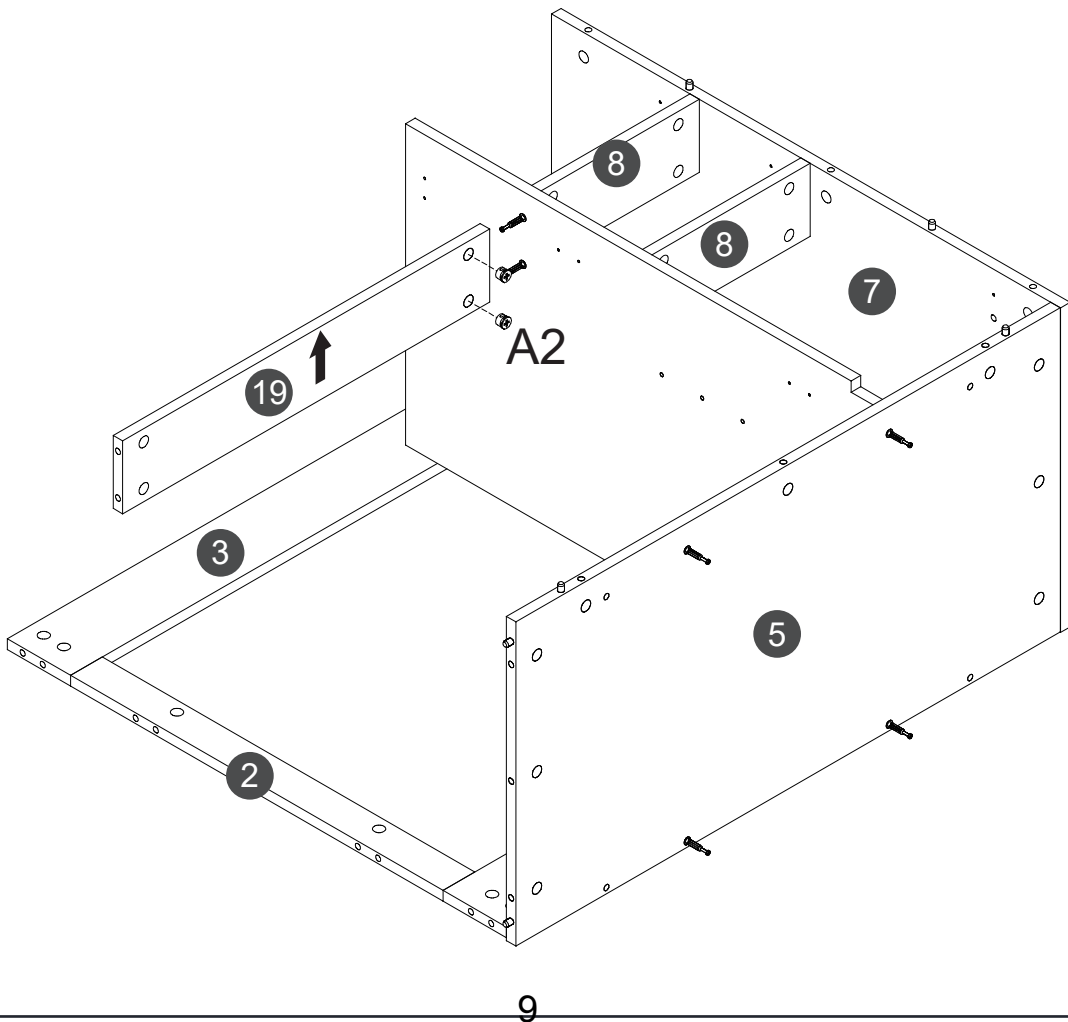


A2



13pcs

10

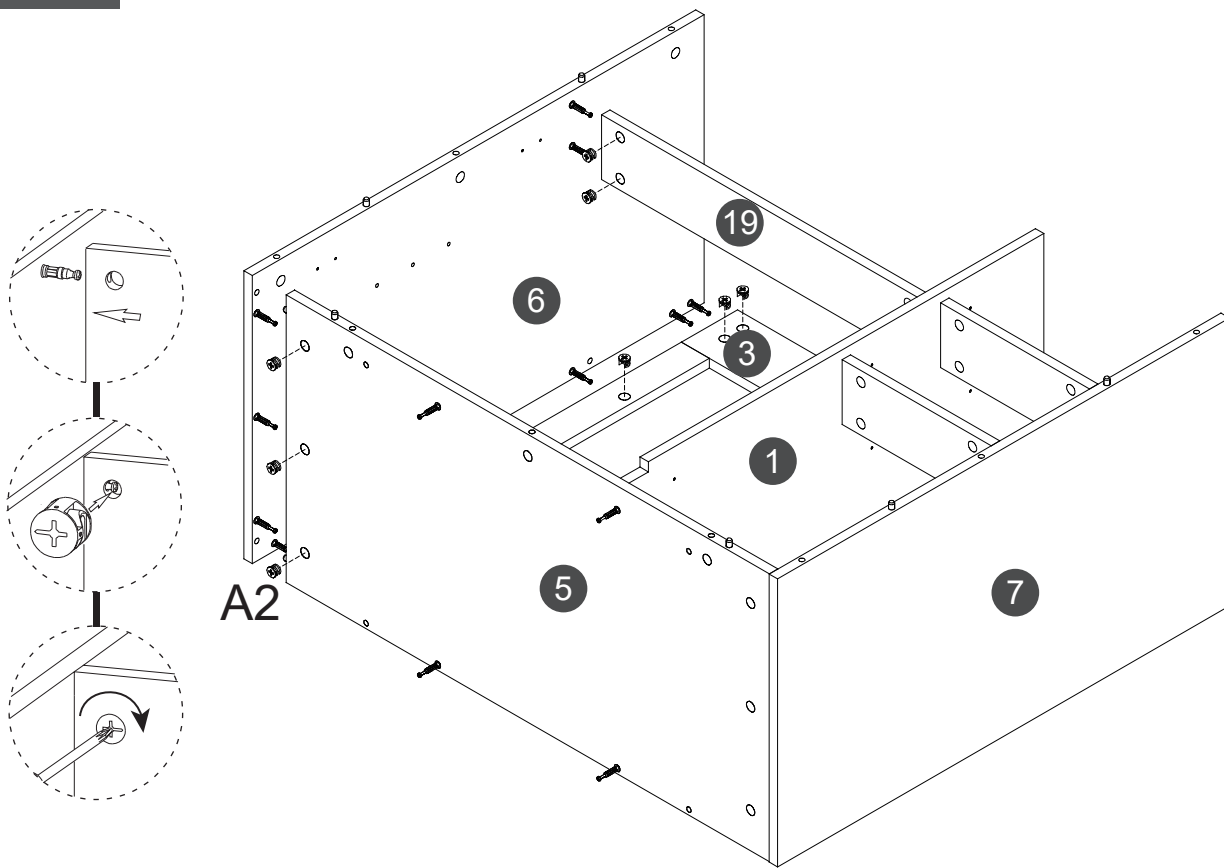


A2



2pcs

# 11

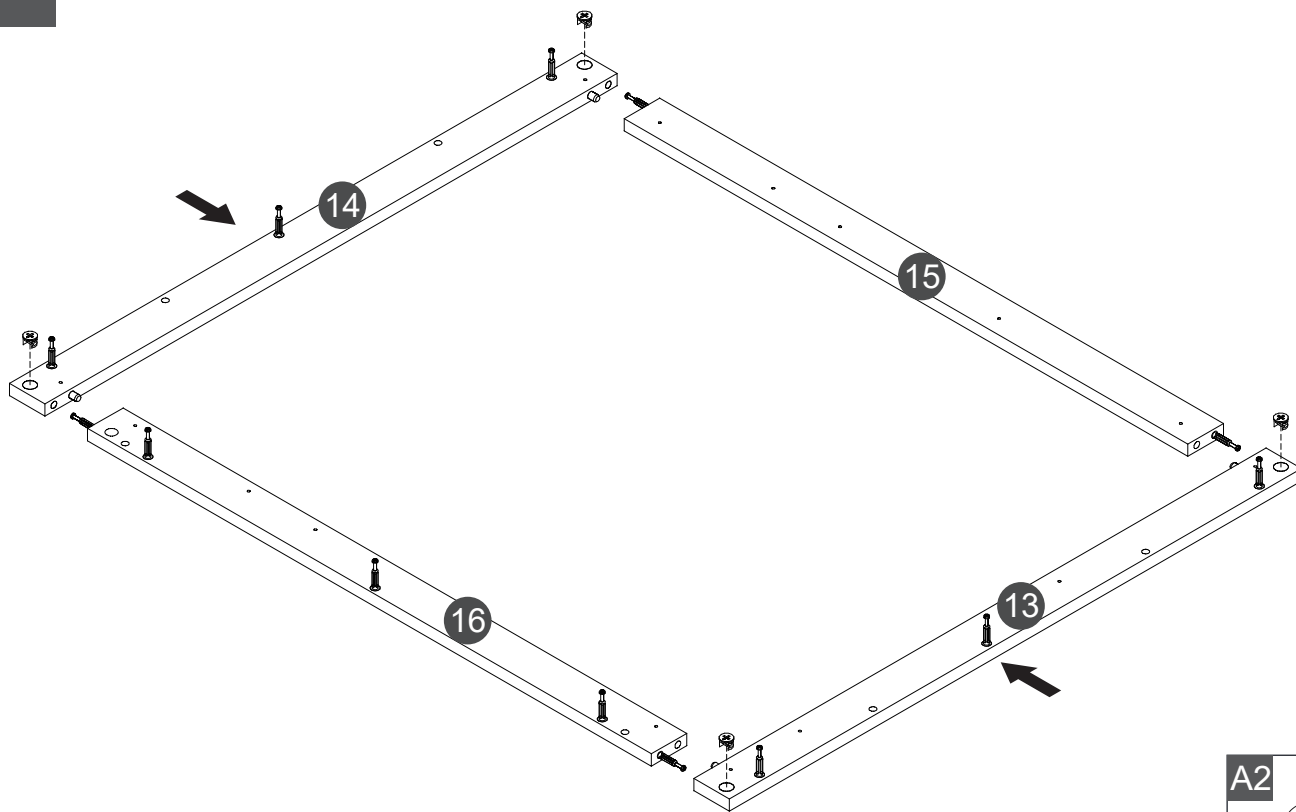


A2



11pcs

# 12



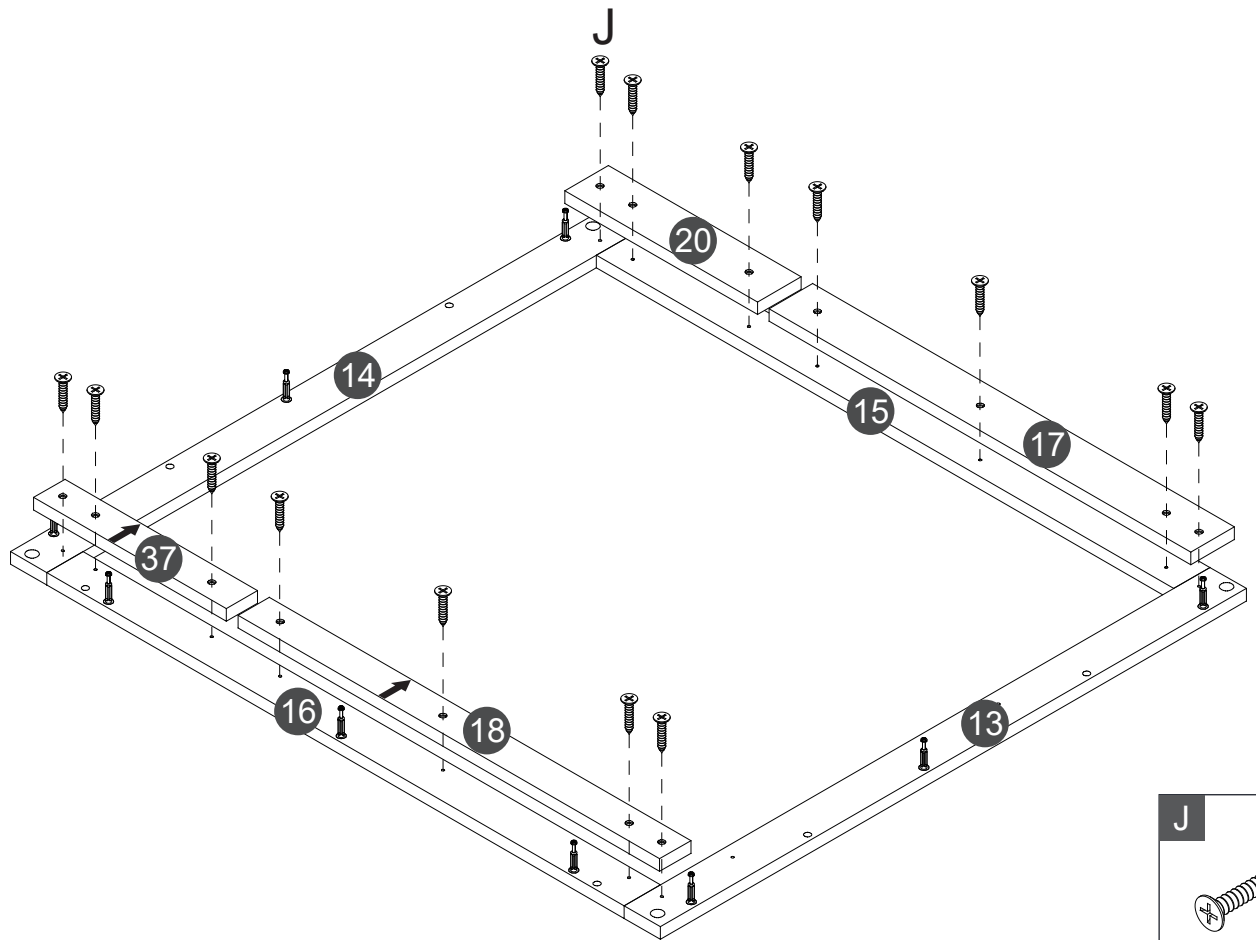
A2



4pcs

10

# 13

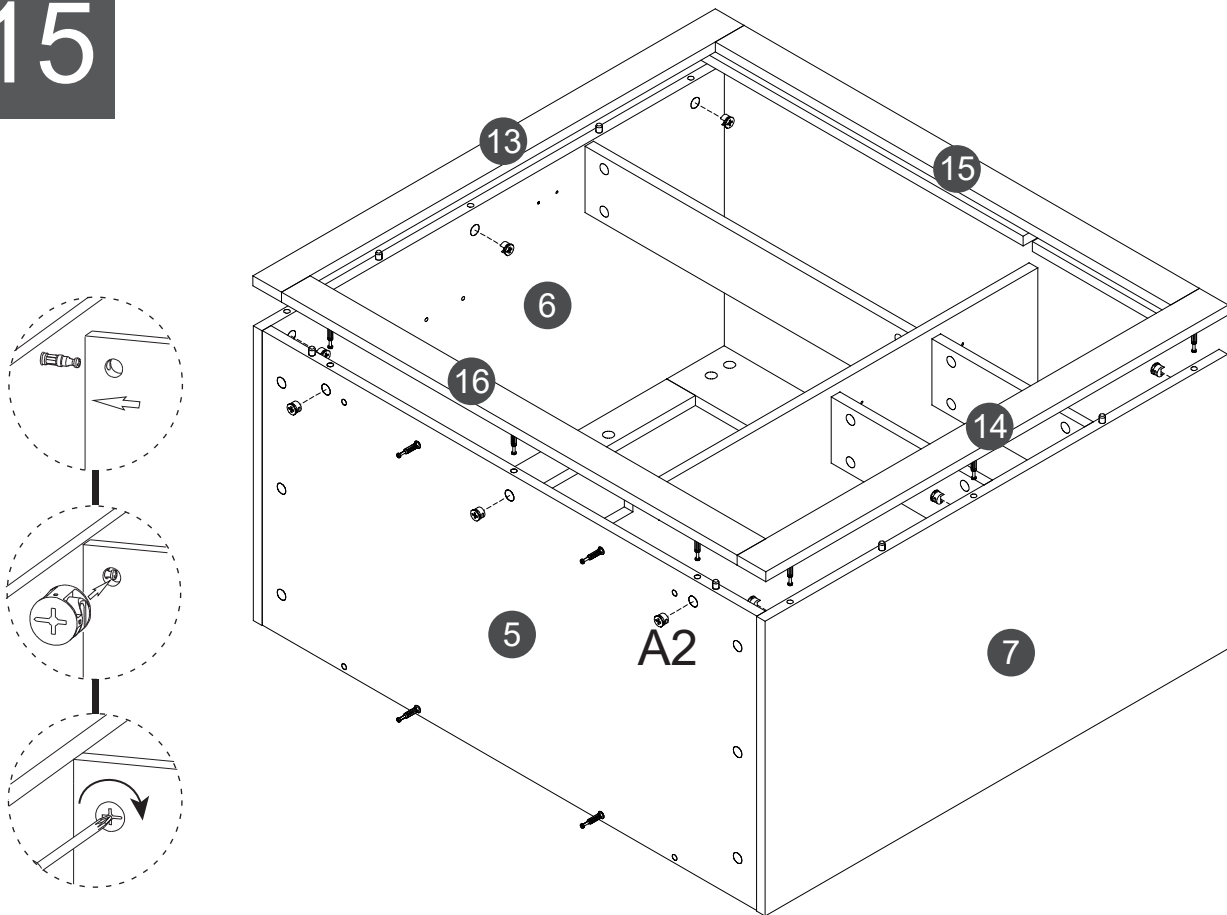


**J** 3.5\*25



14pcs

# 15



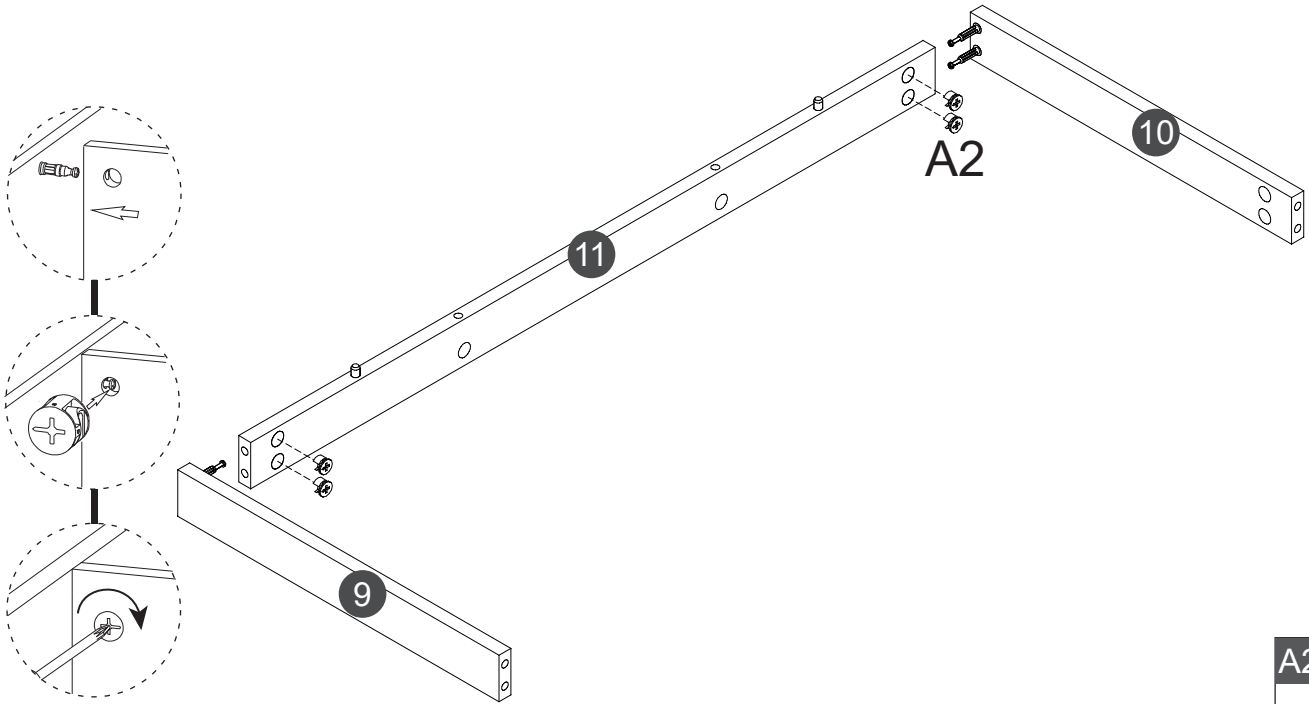
**A2**

**A2**



9pcs

14

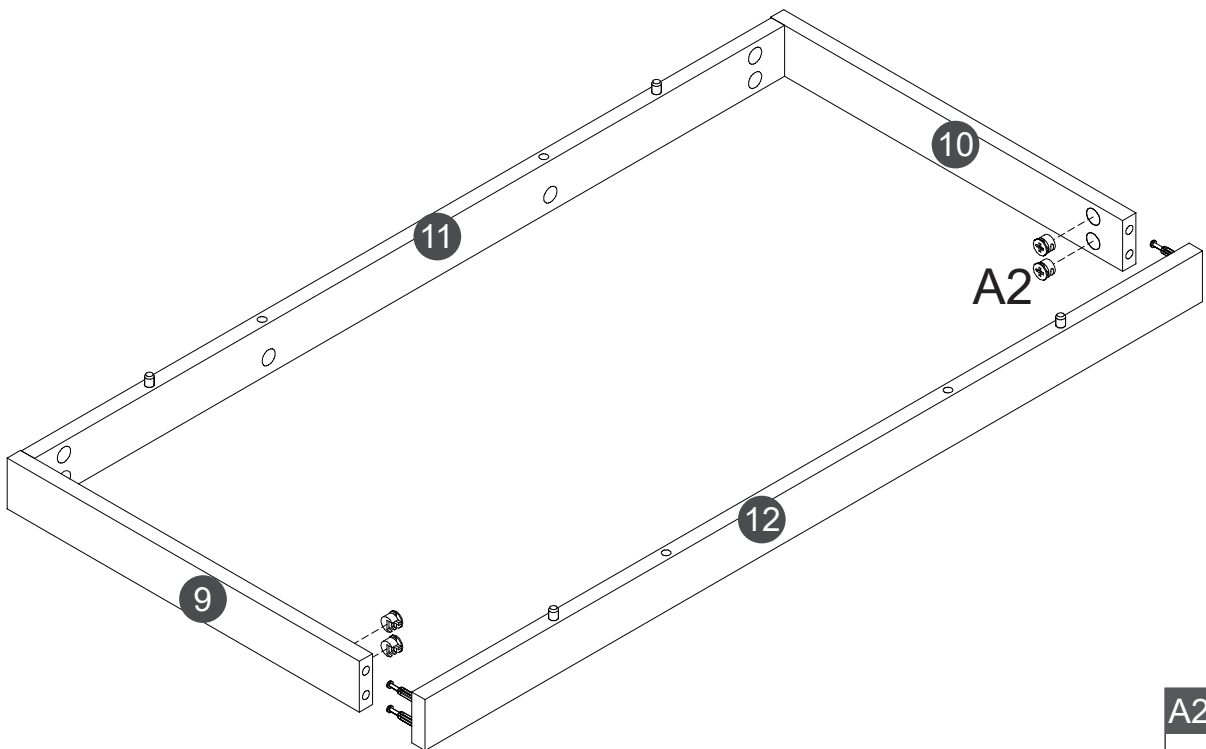


A2



4pcs

16



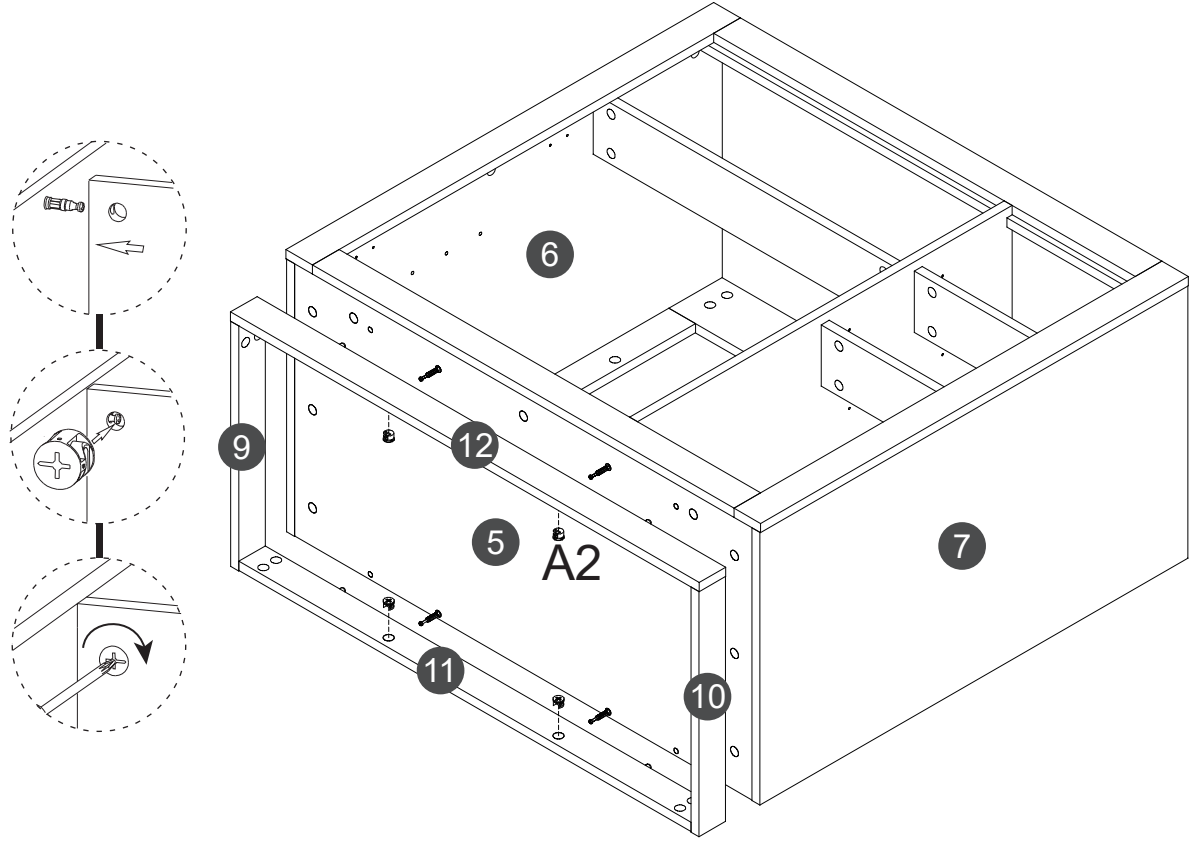
A2



4pcs

12

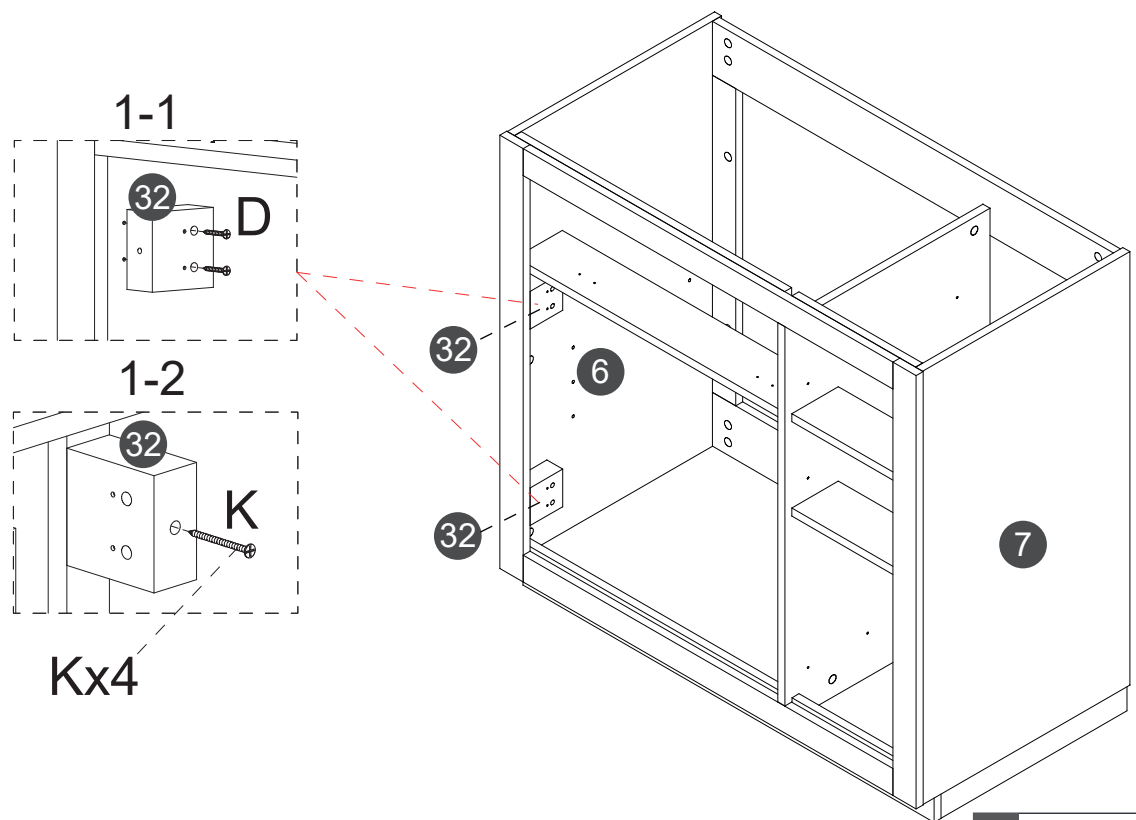
# 17



**A2**

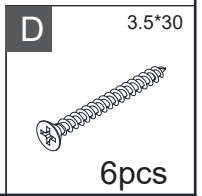
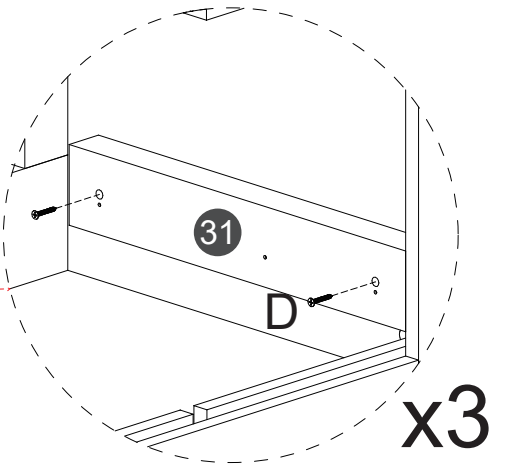
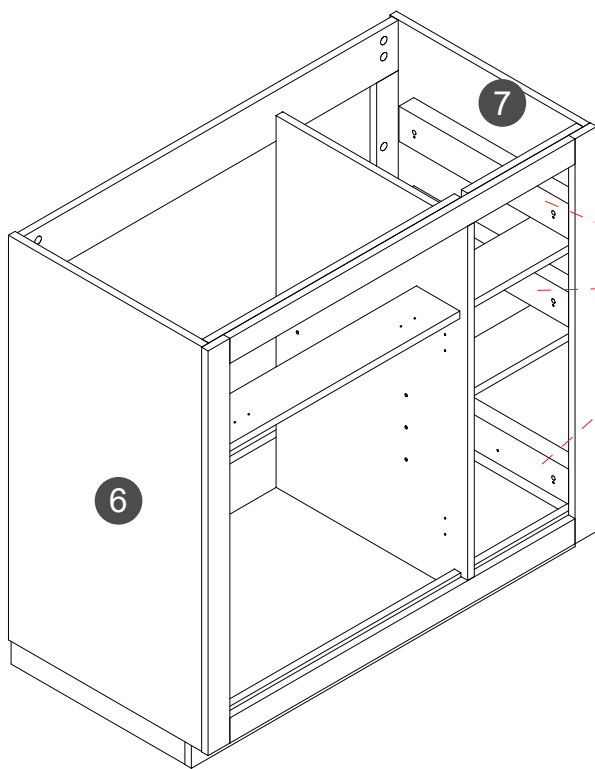
4pcs

# 18

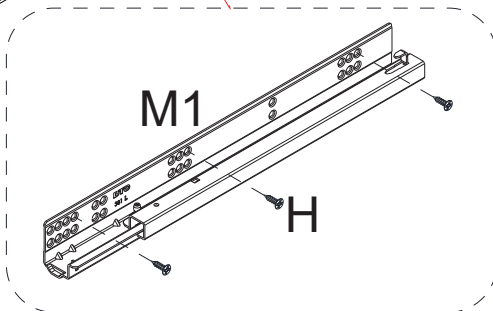
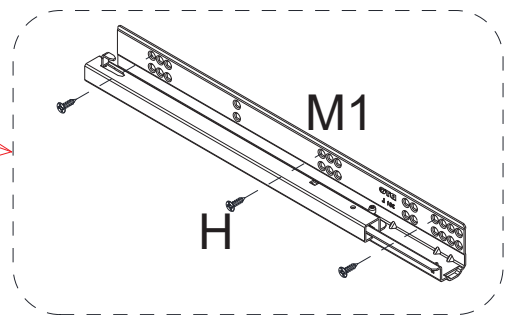
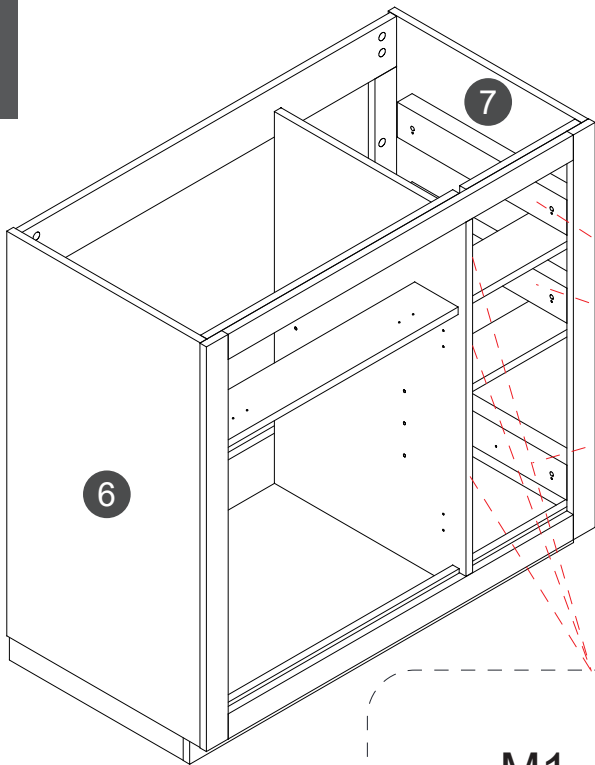


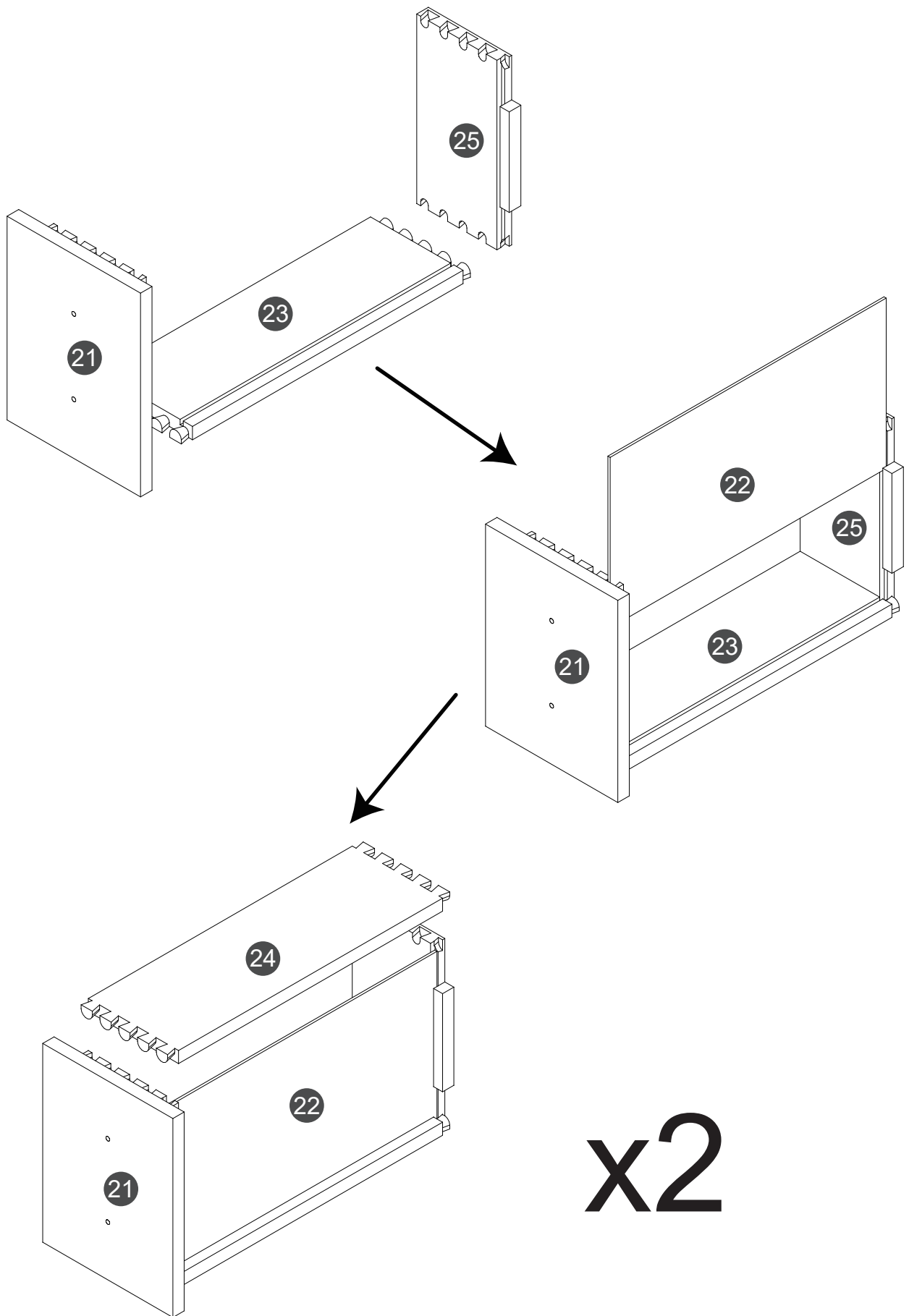
<b>K</b>	3.5*45	<b>D</b>	3.5*30
2pcs		4pcs	

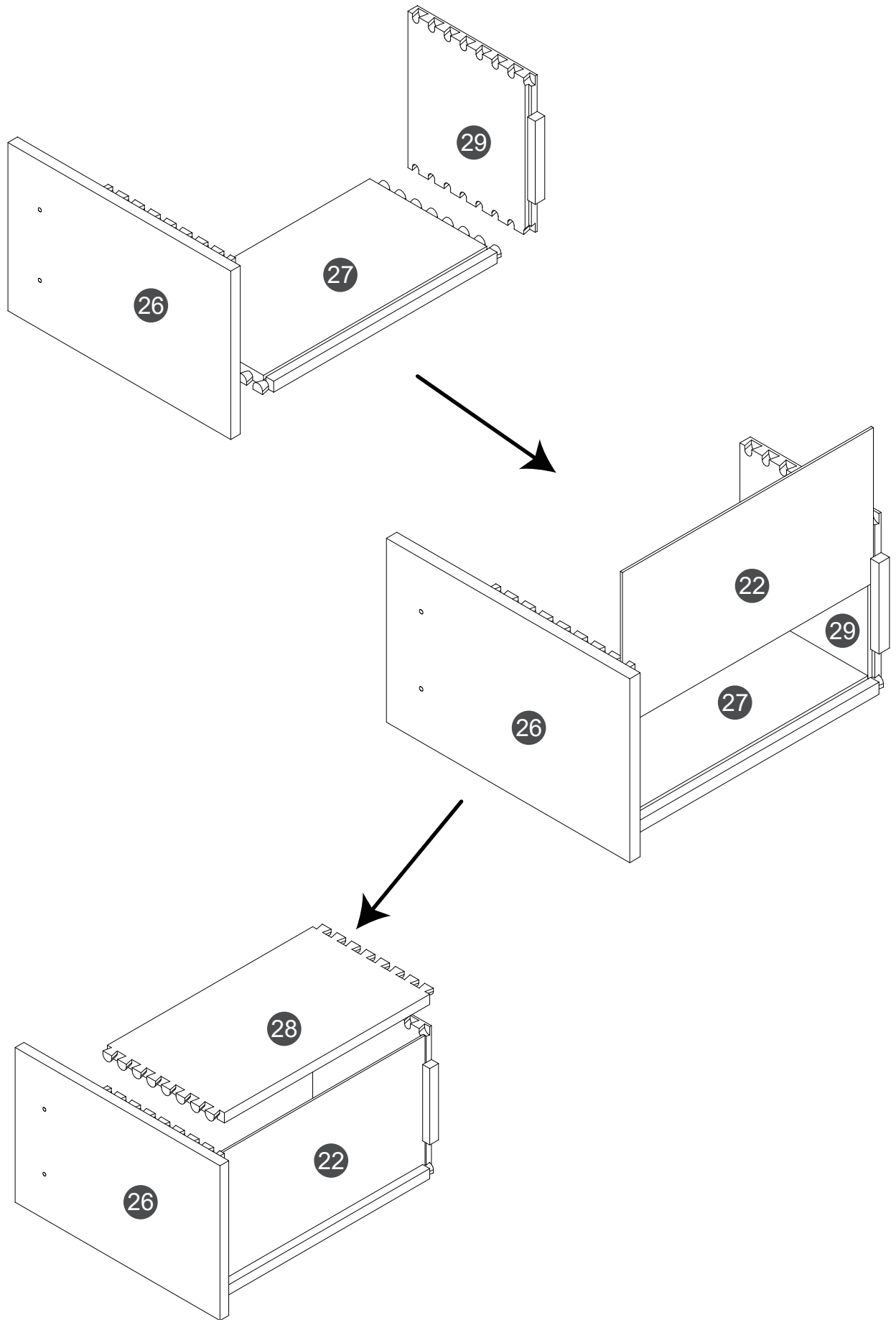
# 19



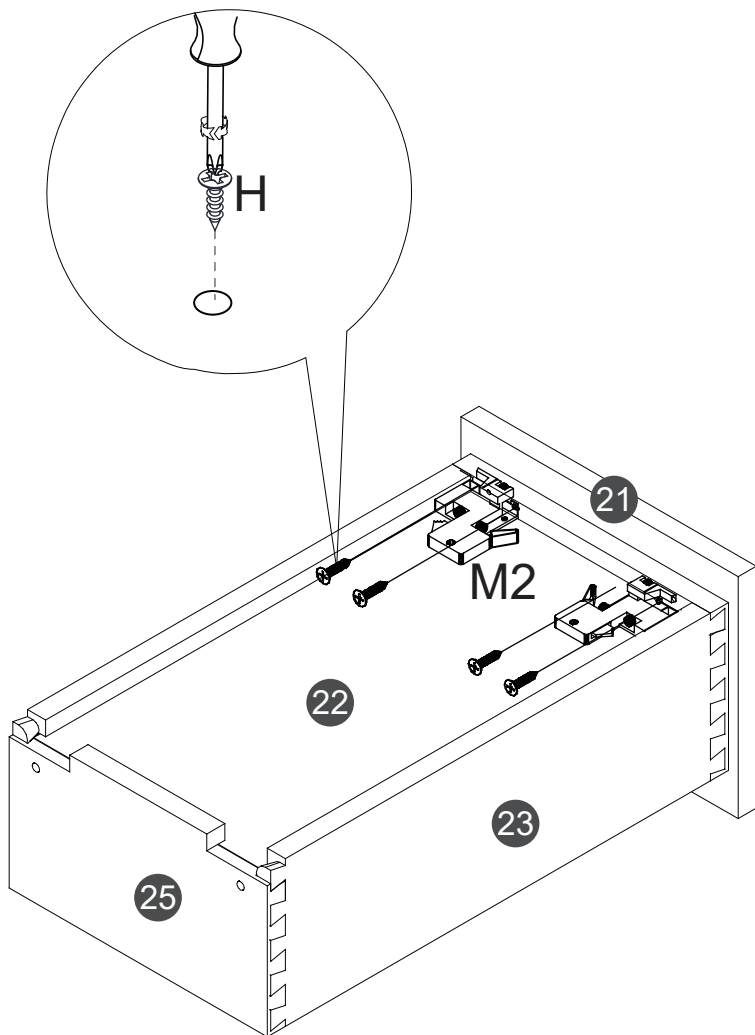
# 20



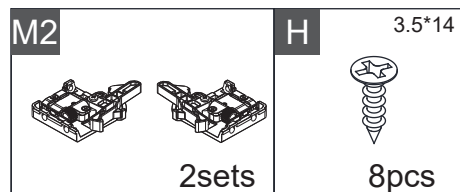




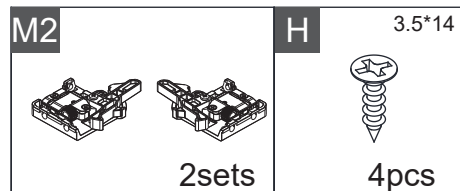
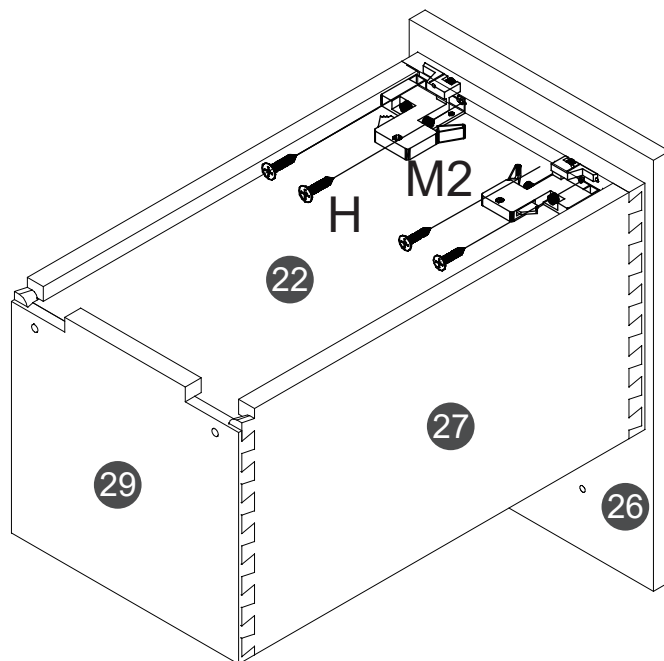
23



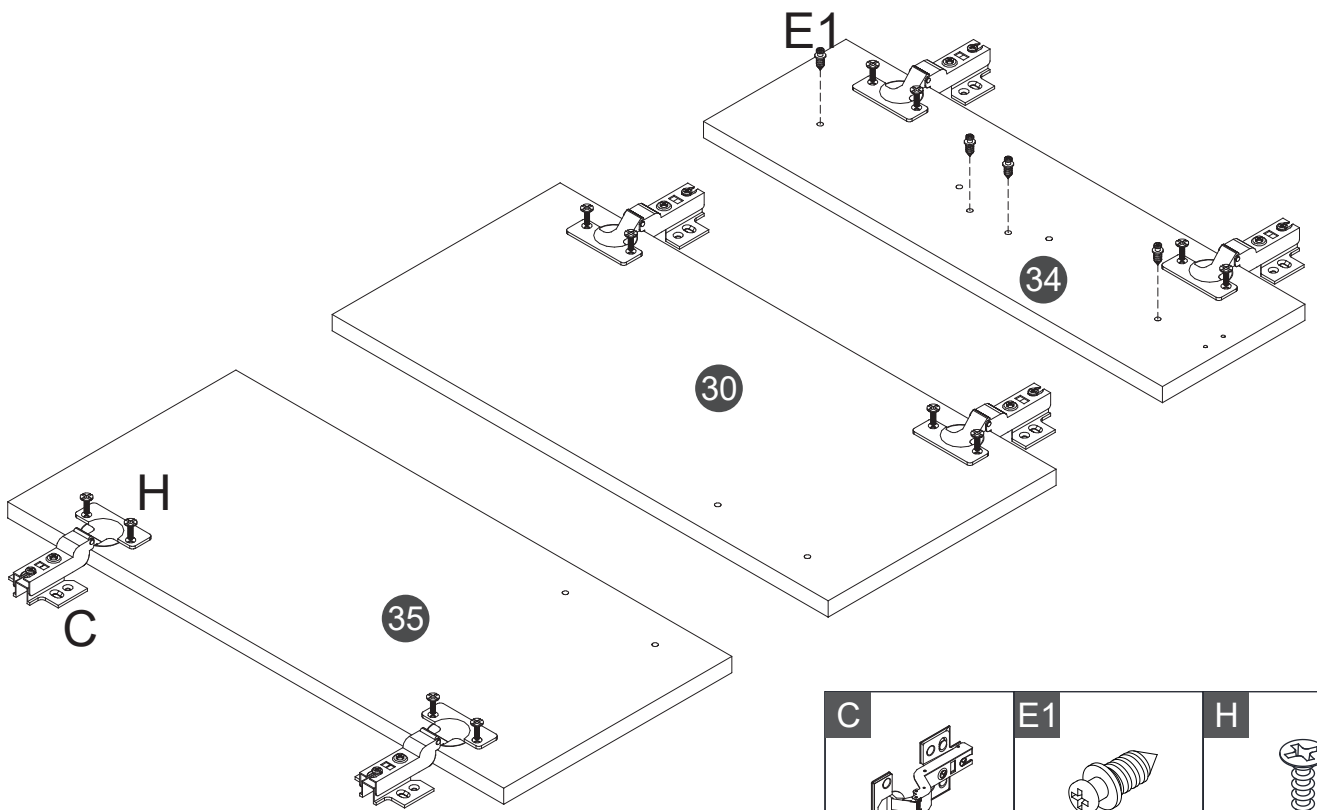
x2



24

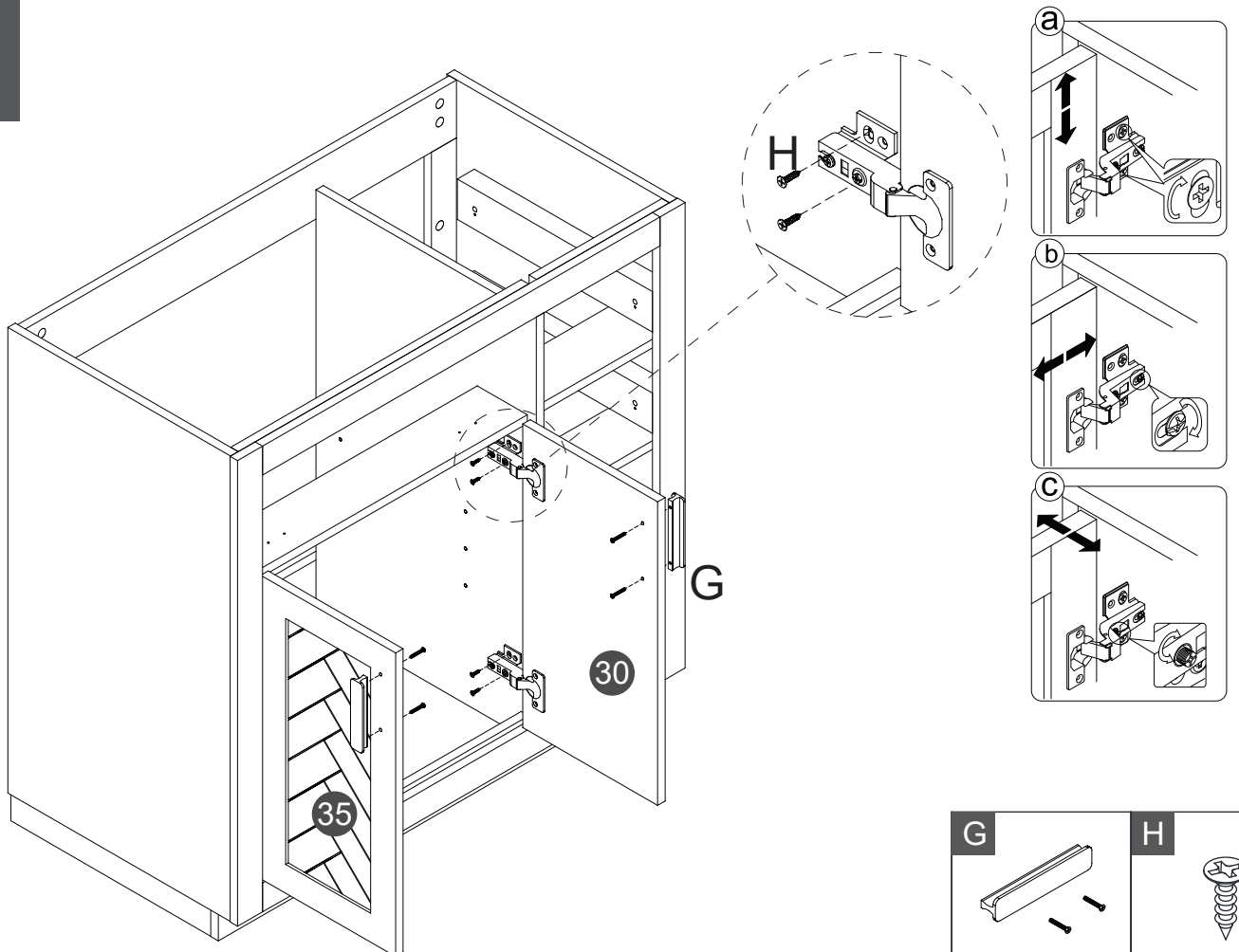


# 25



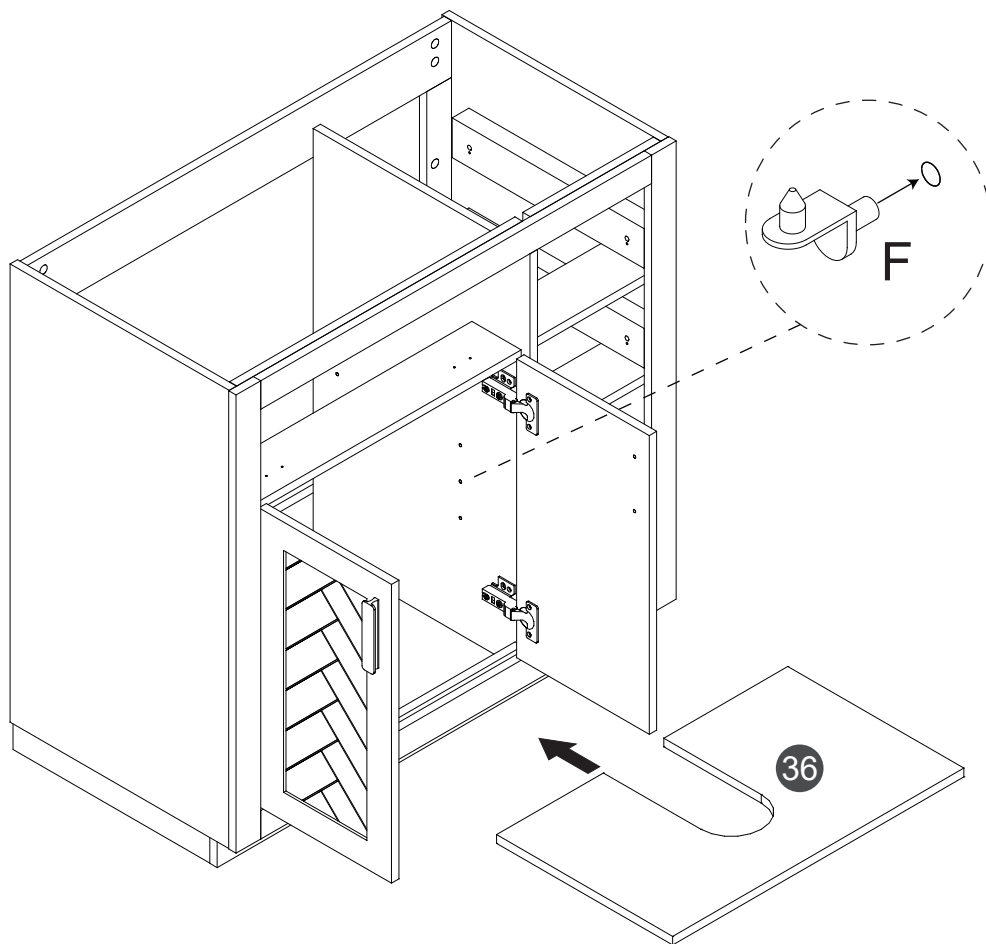
<b>C</b>	<b>E1</b>	<b>H</b>	3.5*14
6pcs	4pcs	12pcs	

# 26



<b>G</b>	<b>H</b>	3.5*14
2sets	8pcs	

27

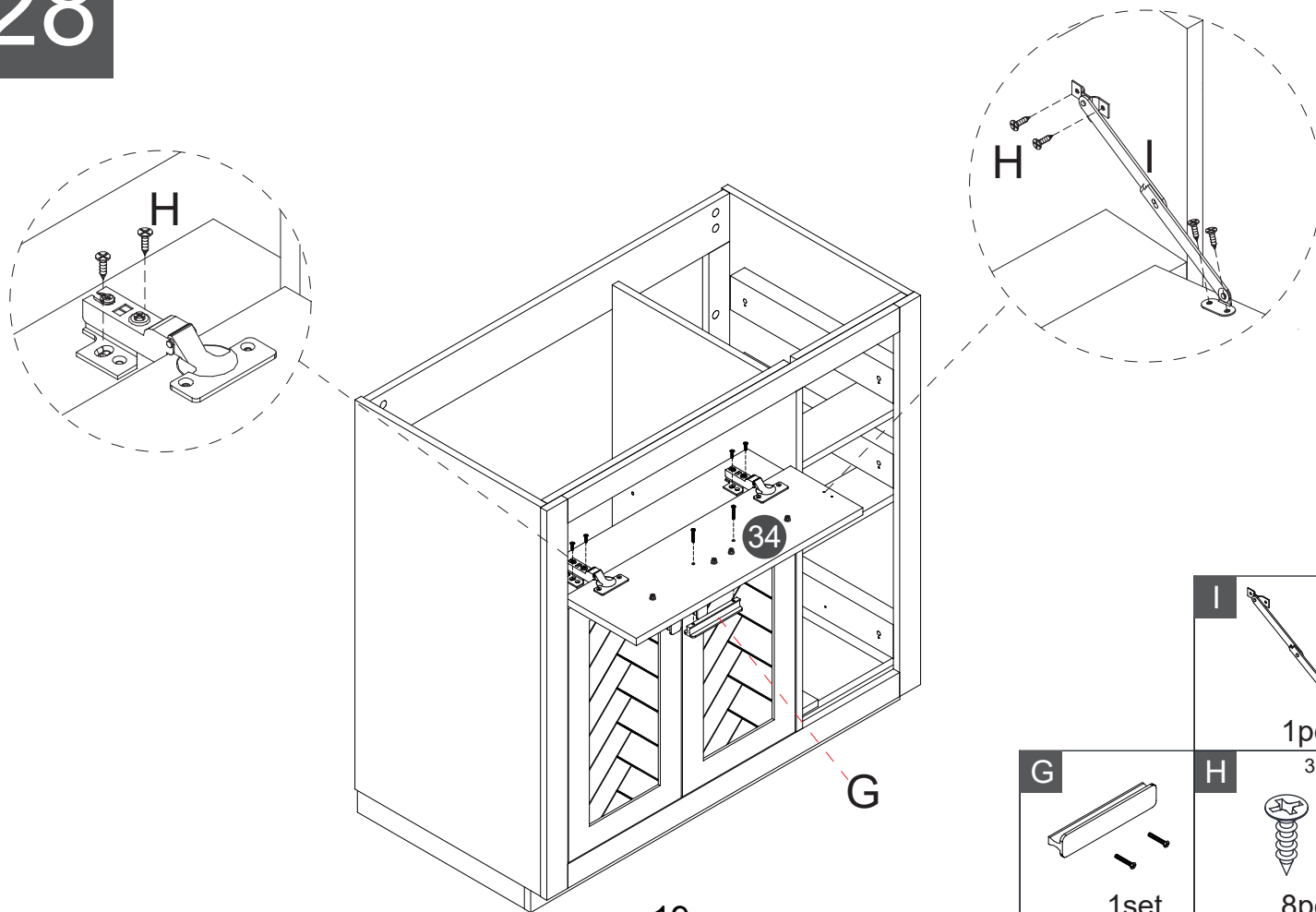


F



4pcs

28



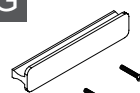
I



1pc

3.5\*14

G



1set

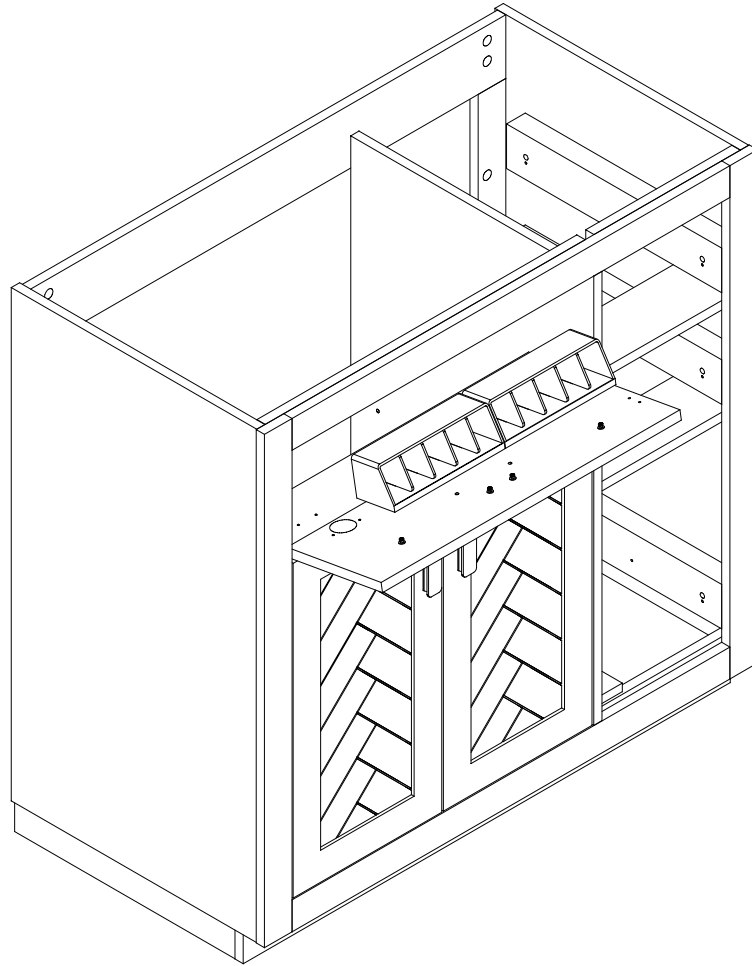
H



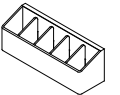
8pcs

19

29

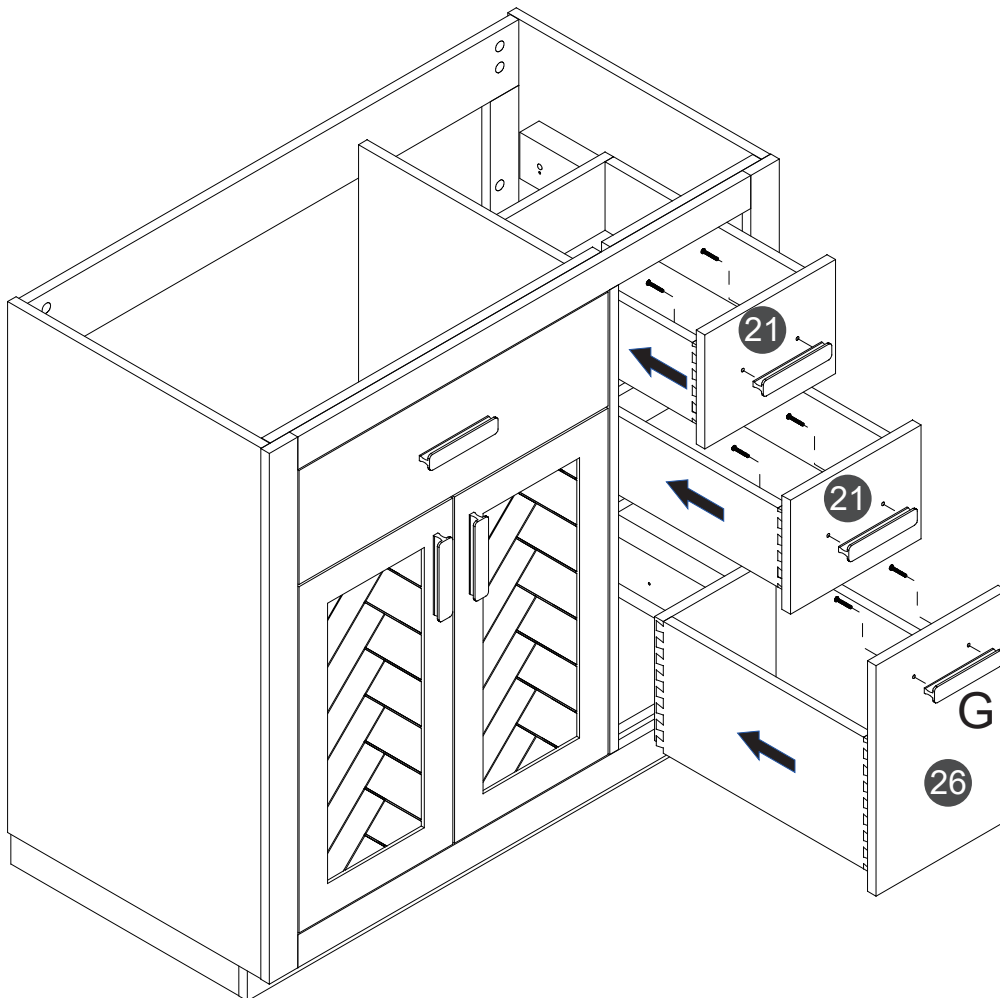


E2

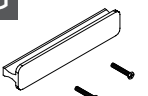


2pcs

30

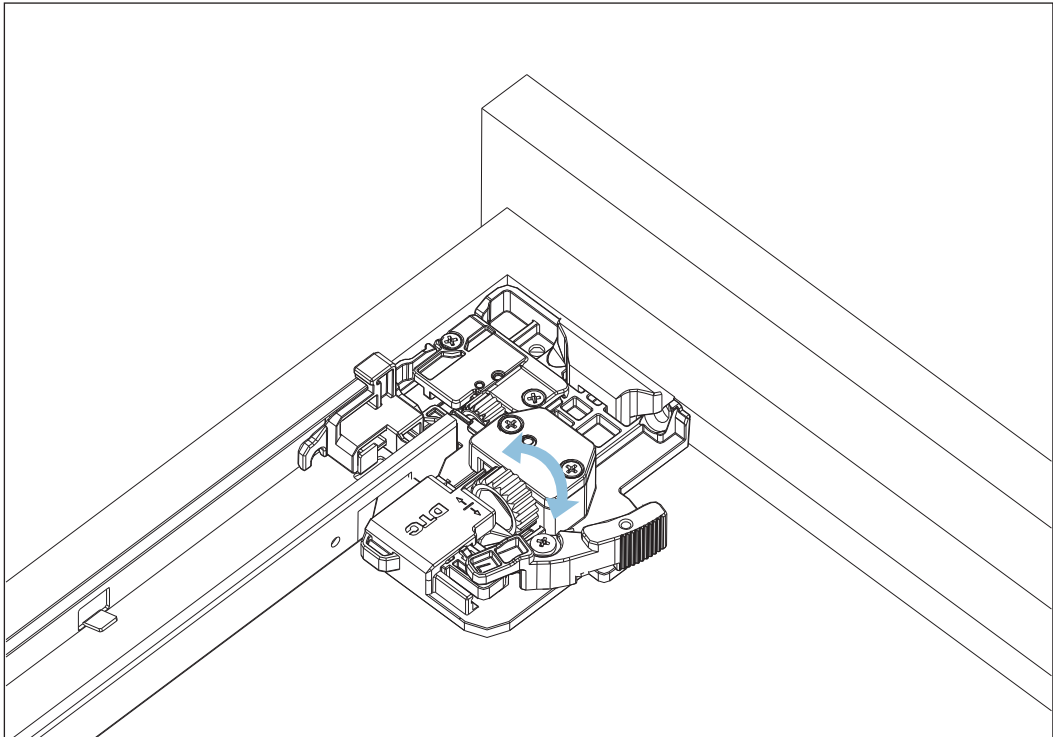
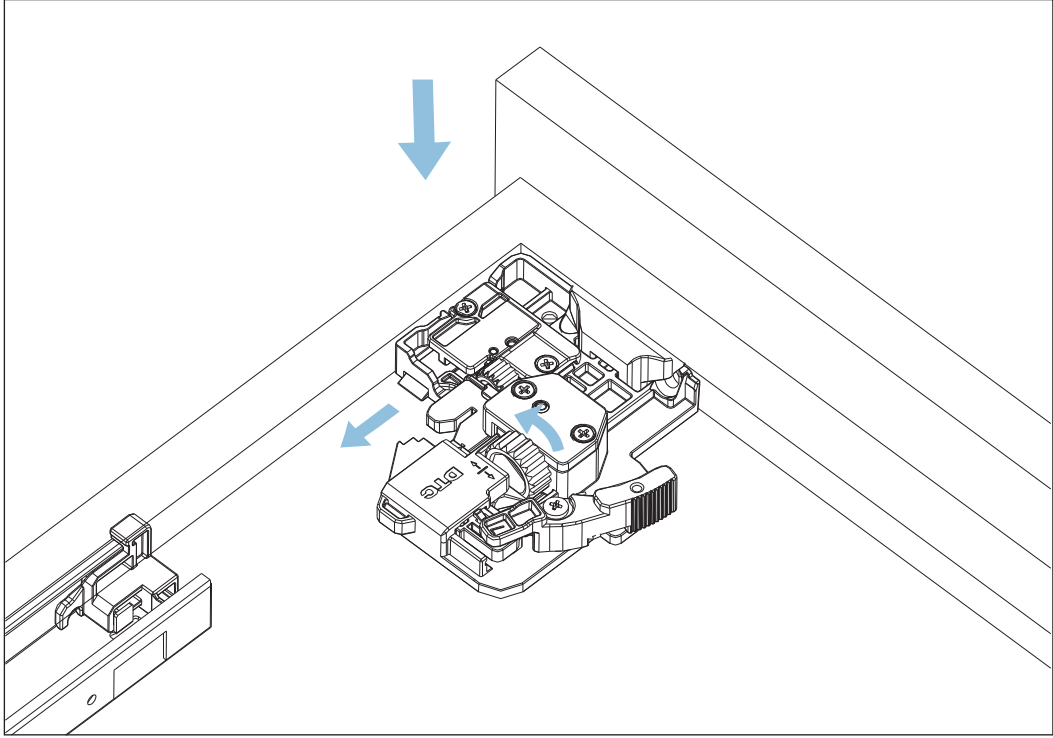


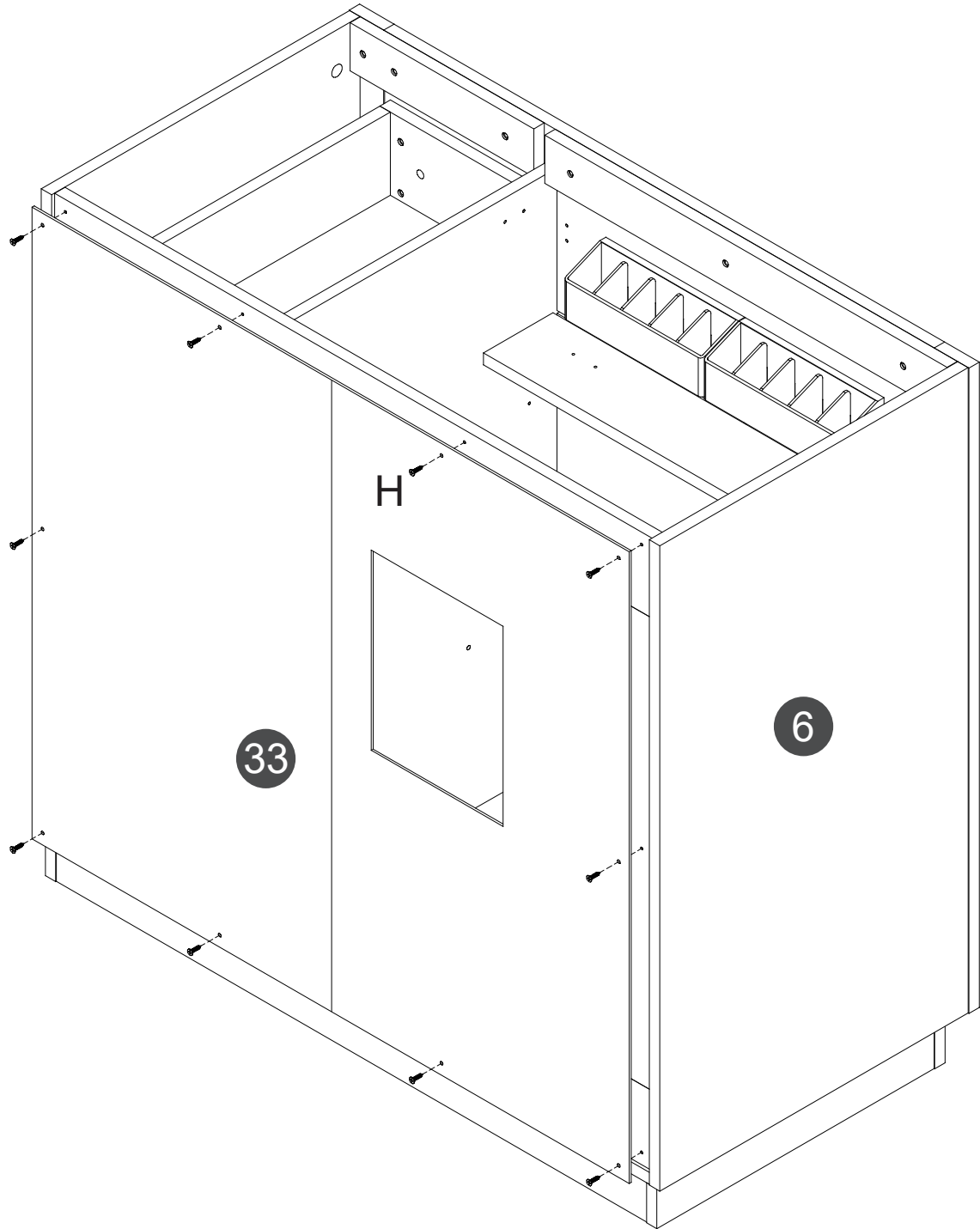
G




3sets

20

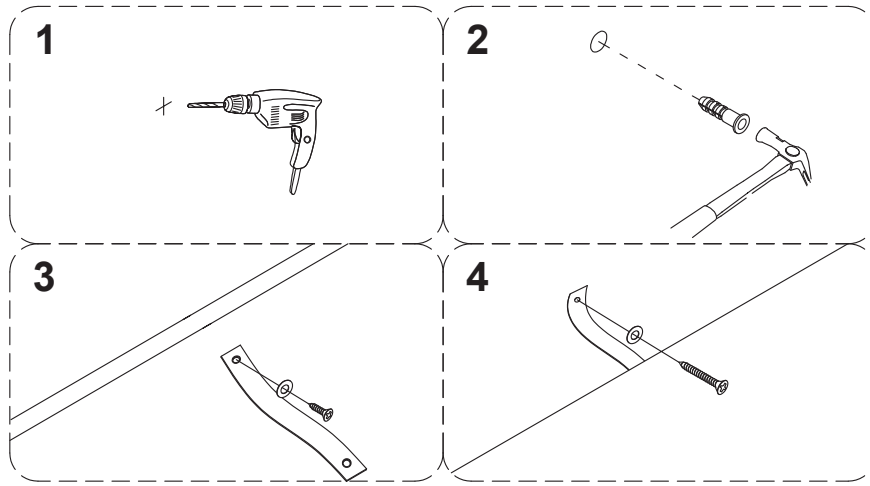




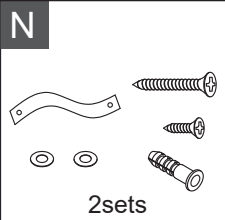
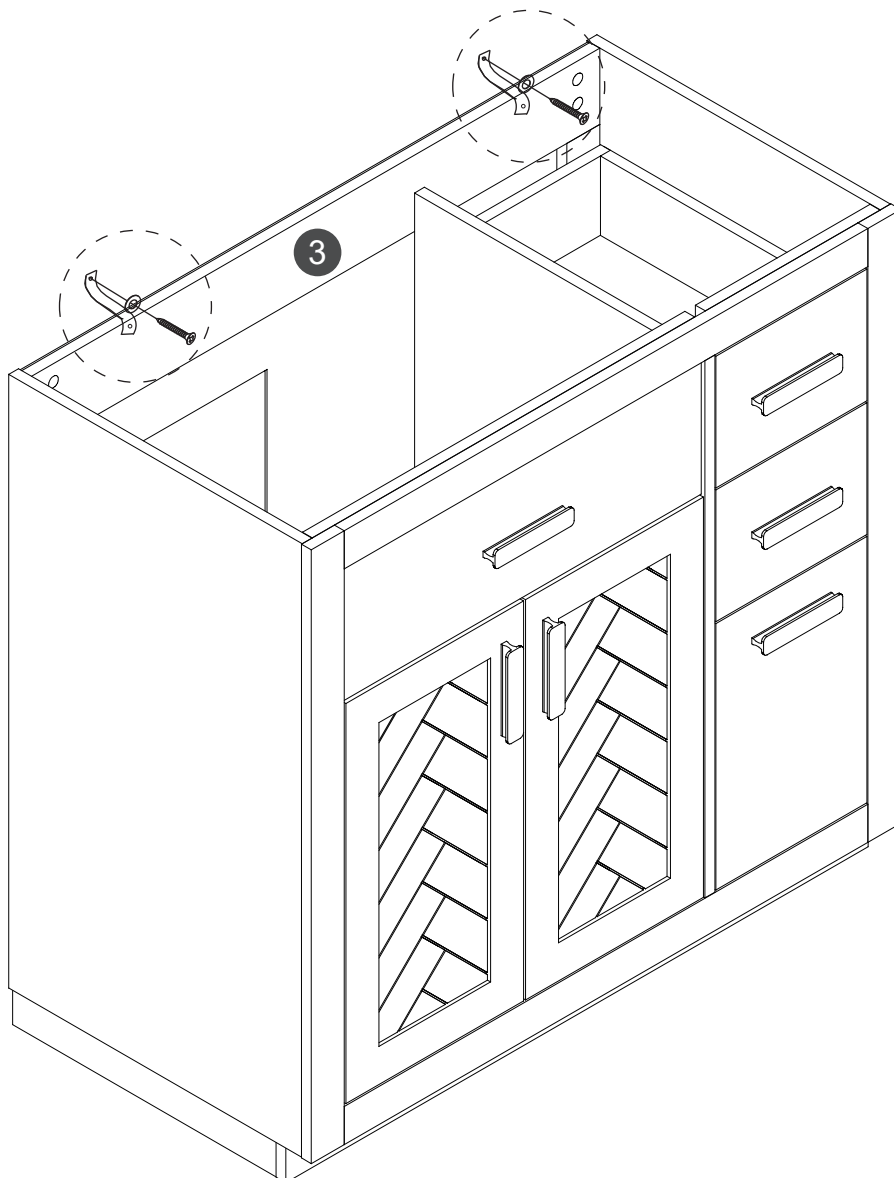
H 3.5\*14



10pcs



The anti-fall device is fixed to the wall at one end, and at the other end, it is securely attached to the appropriate position of component No. 3.



Silicone glue is not included in the package to comply with safety regulations in certain shipping conditions.

