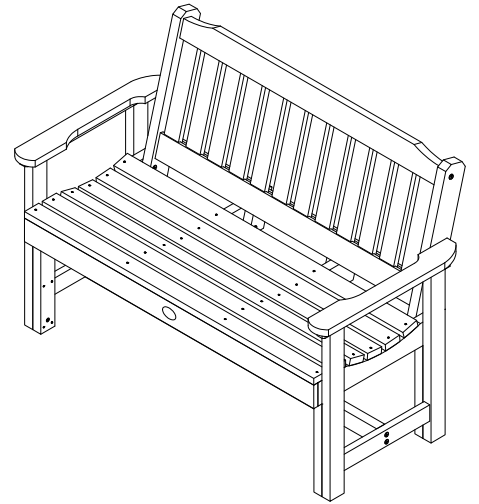


4' Garden Bench

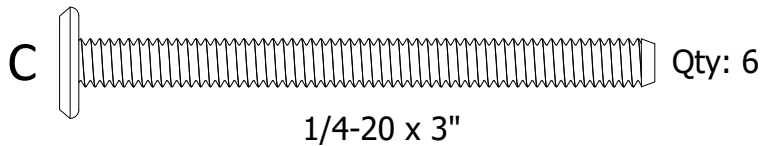
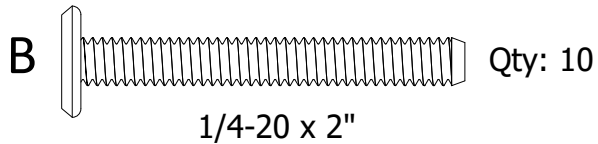
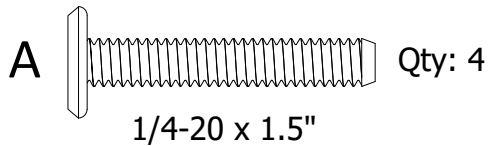
Assembly Guide



IMPORTANT!

DO NOT fully tighten the bolts until all bolts are started.
Once all bolts are inserted, go back & tighten all the bolts.

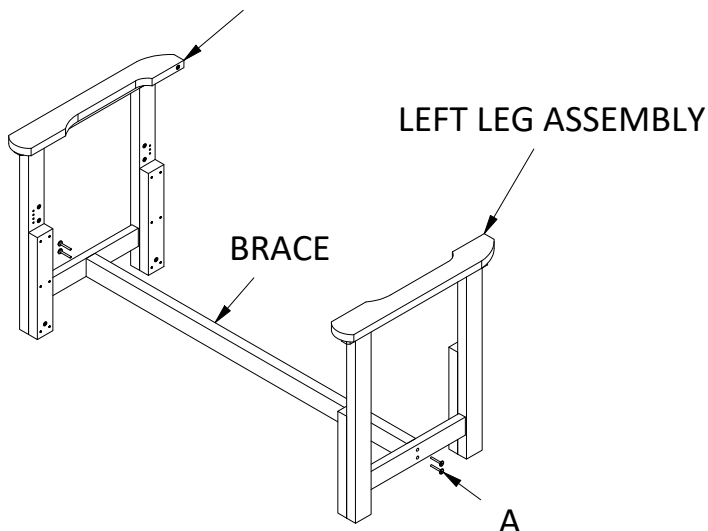
HARDWARE INCLUDED



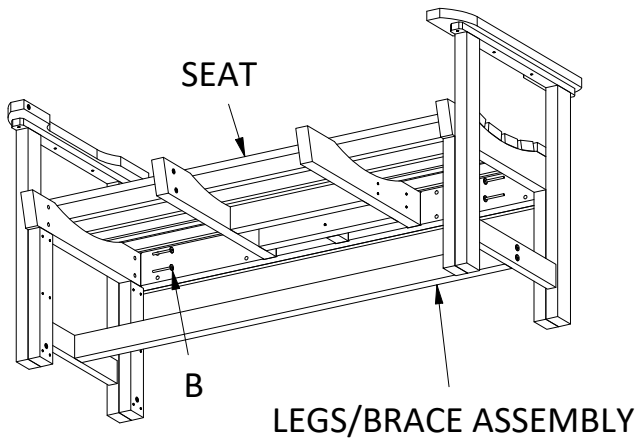
TOOLS INCLUDED



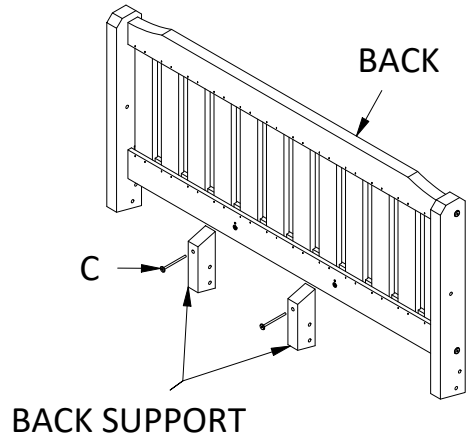
RIGHT LEG ASSEMBLY



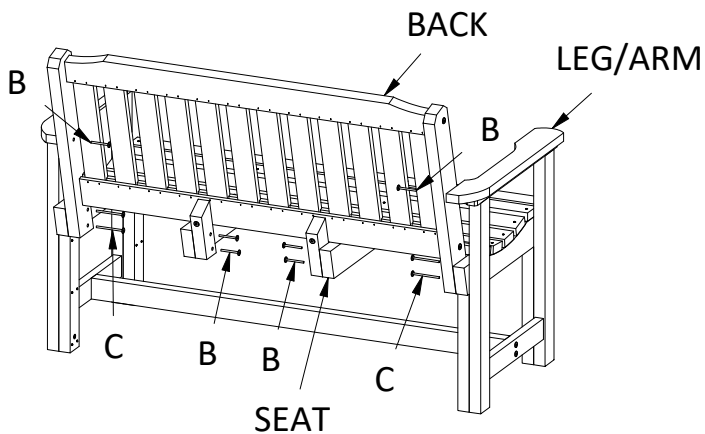
1) Attach Brace to Leg Assemblies using (2) A Bolts on each side.



2) Attach Seat to Legs/Brace Assembly using (4) B Bolts as shown.

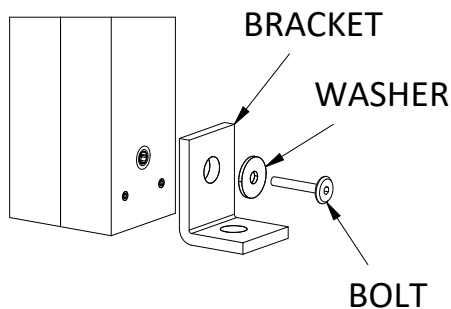


3) Attach Back Supports to Back using (1) C Bolt for each Back Support as shown.



4) Attach Back to Arms using (1) B Bolt on each side as shown.

5) Attach Back to Seat using (4) B Bolts and (4) C Bolts as shown.



INCLUDED HARDWARE FOR OPTIMAL SURFACE MOUNTING

NOTE: Ground Anchors not included.