

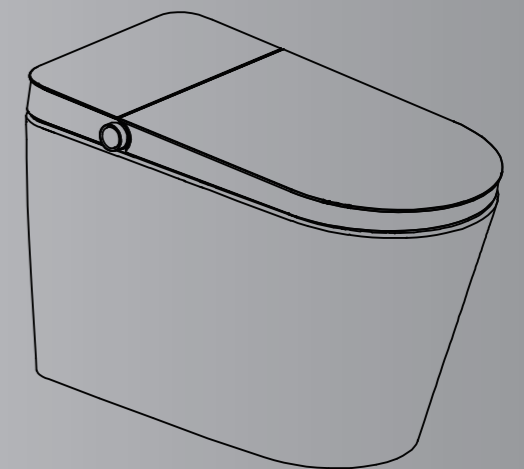
INTELLIGENT TOILET

Casta Diva[®]

Product Manual

Product Name: Intelligent Toilet

■ Model: AT500pro



Thank you for purchasing our product. Please read this manual before installation and use to ensure that your product will function at peak performance.

Read this manual thoroughly and store in a safe place for future references.

IMPORTANT SAFEGUARDS

When using electrical products, especially when children are present, basic safety precautions should always be followed, including the following:

READ ALL INSTRUCTIONS BEFORE USING

DANGER— To reduce the risk of electrocution:

1. Do not use while bathing.
2. Do not place or store product where it can fall or be pulled into a tub or sink.
3. Do not place in or drop into water or other liquid.
4. Do not reach for a product that has fallen into water. Unplug immediately.

WARNING— To reduce the risk of burns, electrocution, fire, or injury to persons.

1. Close supervision is necessary when this product is used by, on, or near children or invalids.
2. Use this product only for its intended use as described in this manual. Do not use attachments not recommended by the manufacturer.
3. Never operate this product if it has a damaged cord or plug, if it is not working properly, if it has been dropped or damaged, or dropped into water. Return the product to a service center for examination and repair.
4. Keep the cord away from heated surfaces.
5. Never block the air openings of the product or place it on a soft surface, such as a bed or couch, where the air openings may be blocked. Keep the air openings free of lint, hair, and the like.
6. Never use while sleeping or drowsy.
7. Never drop or insert any object into any opening or hose.
8. Do not use outdoors or operate where aerosol (spray) products are being used or where oxygen is being administered.
9. Connect this product to a properly grounded outlet only. See Grounding Instructions.
10. Do not use while bathing.
11. Risk of Electric Shock. Connect Only to a Grounding Type Receptacle Protected by a Ground-Fault Circuit-Interrupter (GFCI)
12. Risque de choc électrique. Connecter uniquement à un réceptacle du Type de mise à la terre protégé par un circuit de failles au sol (GFCI).
13. CAUTION - Risk of electric shock, do not remove cover (or back). Refer servicing to qualified service personnel.
14. Attention - risque de choc électrique, n'enlevez pas le couvercle (ou le dos). Référez le service à un service qualifié Personnel.

SAVE THESE INSTRUCTIONS

GROUNDING INSTRUCTIONS

This product should be grounded. In the event of an electrical short circuit, grounding reduces the risk of electric shock by providing an escape wire for the electric current. This product is equipped with a cord having a grounding wire with a grounding plug. The plug must be plugged into an outlet that is properly installed and grounded

DANGER— Improper use of the grounding plug can result in a risk of electric shock. If repair or replacement of the cord or plug is necessary, do not connect the grounding wire to either flat blade terminal. The wire with insulation having an outer surface that is green with or without yellow stripes is the grounding wire. Check with a qualified electrician or serviceman if the grounding instructions are not completely understood, or if in doubt as to whether the product is properly grounded.

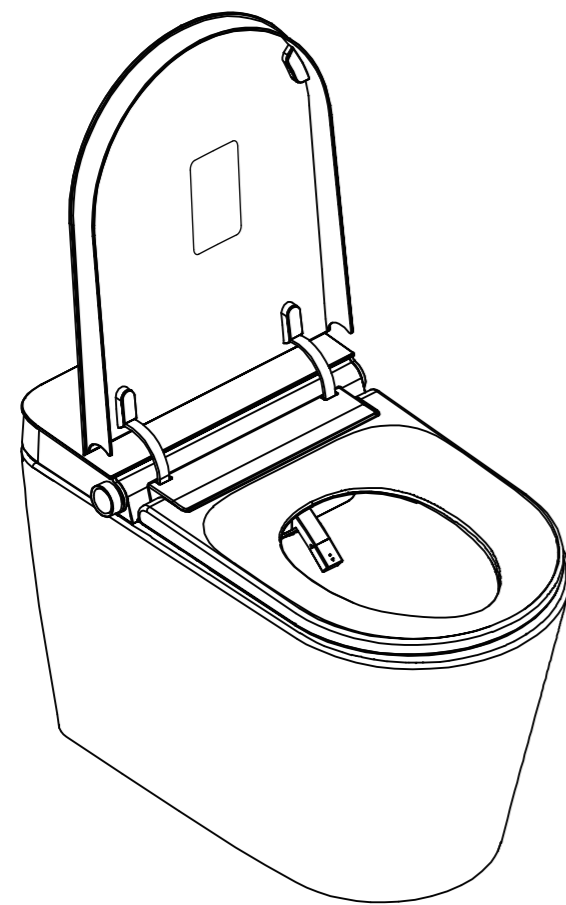
The functions may vary from different part no.

Part no.	CD-U010Pro/AT500pro
Unlimited Wash	●
Rear Wash	●
Front Wash	●
Aerated Wash	●
Automatic Wash	●
Oscillating Wash	●
H/C Massage	●
Water Pressure Adjustable	●
Water Temp Adjustable	●
Nozzle Position Adjustment	●
Detachable Nozzle	●
Self-cleaning Nozzle	●
Nozzle Cleaning Mode	●
Seat Heating	●
Air Dryer Plus	●
Automatic Deodorization	●
Pre-flush	●
Soft Close	●
Seat Temp Adjustable	●
Air Temp Adjustable	●
Night Light	●
Instant Heating	●
Emergency Flush	●
Remote Flush	●
Auto Flush	●
Drying With Flush	●
Foot Sensor Flush	●
Microwave induction	●
Auto Open Cover	●
Foot Sensor Open Cover	●
Foot Sensor Open Seat	●
Remote Open Cover	●
Remote Open Seat	●
Seat Sensor	●
Memory Mode	●
Auto Start	●
SUS Filter	●
Air Isolation	●
UV Sterilization	●
Back Flow Preventer	●
Easy Clean Glaze	●
Multi-Protections	●
Antibacterial Seat	●
Fire And Heat Resistant	●
Factory Reset	●
Digital Display	●
4-Season Comfort	●
Electrolyzed Water Sterilization	—
UV Water Sterilization	—
Ambient Lighting	●
ECO Mode	●
Foam Shield	●

Notice: ● represents that the product have this function.

User Friendly Design

New features to offer you an enjoyable experience



Contents

Parts Information	1
Overview	1
Remote Control	2
Warnings And Safety	3
Warnings	4
Attention	6

Before use

Installation	7
Before You Install	8
Installing Your Product	9
Function Explanations	13
Maintenance	17
Surface Cleaning	17
Nozzle Maintenance	17

Functions

Troubleshooting	18
Power Button	18
Wash Functions	18
Dryer	19
Heated Seat	19
Remote Control	19
Toilet Unit	19
Soft-Closing Feature	19
Specifications	20

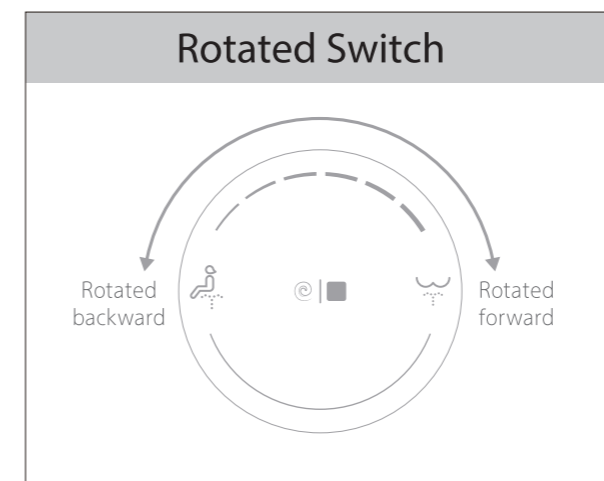
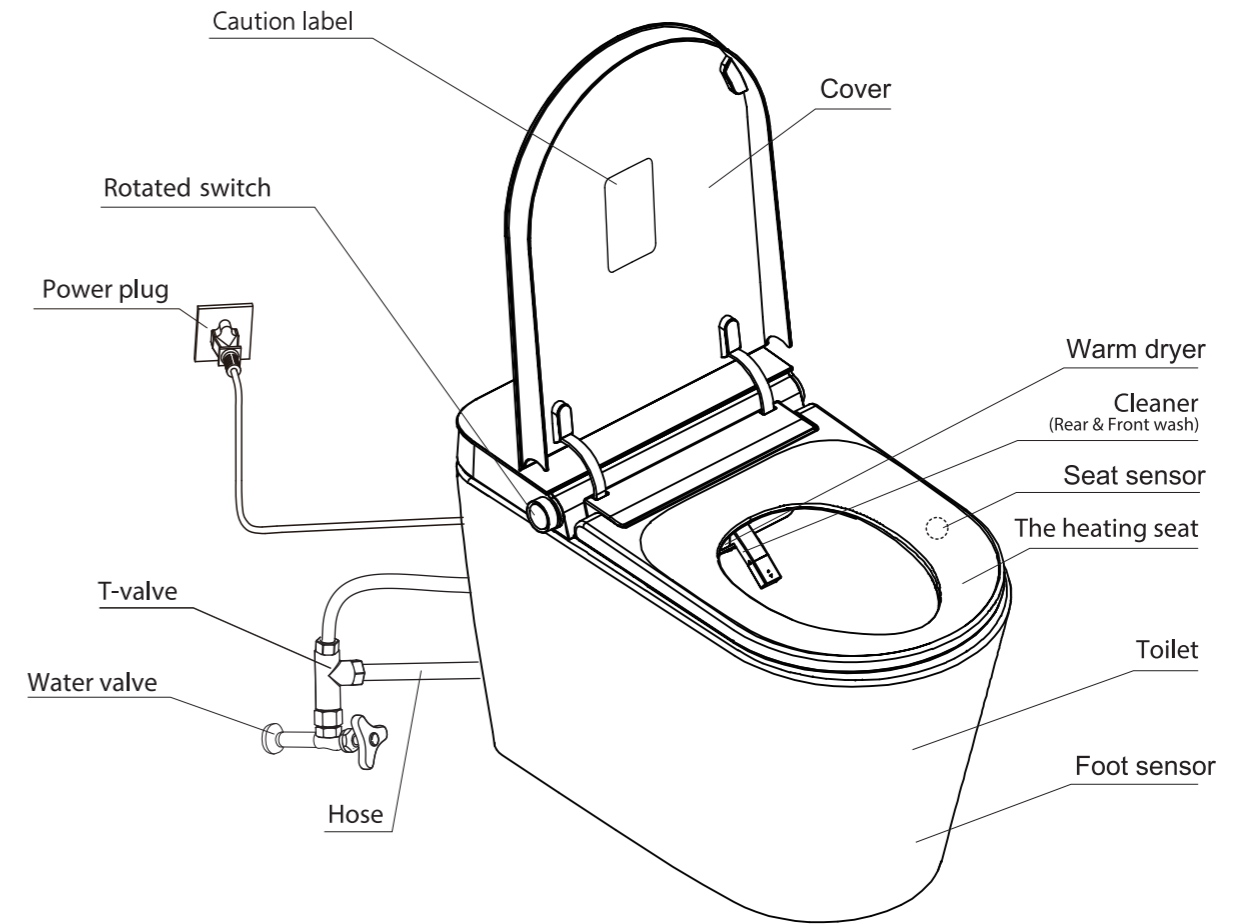
Troubleshooting

Intelligent Toilet

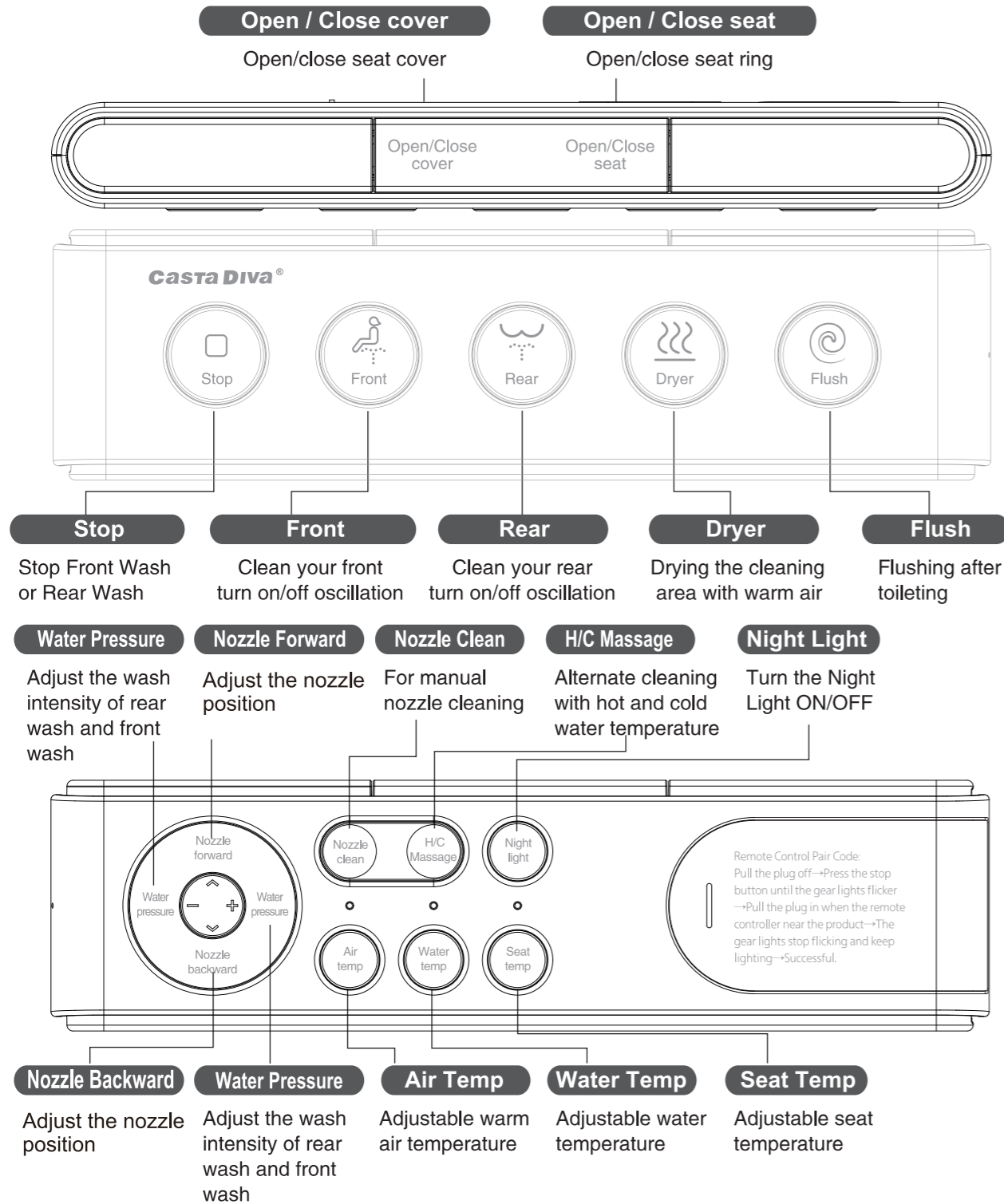
Parts Information

Overview, Remote control

Overview



Remote Control



TIPS:

1. Long press the "H/C Massage" button to enter Do Not Disturb Mode 1 (mute mode, sound off, except alert tone). Long press again to activate Do Not Disturb Mode 2 (sound off, ambient light off, night light remains on). Long press once more to exit Do Not Disturb Mode.
※ After Do Not Disturb Mode is activated, it will automatically deactivate after 8 hours.
2. Long press "Night light" to turn on/off ECO mode. When seat heating is on, no operations ≥ 30 mins, ECO mode is activated automatically. The seat temp will lower automatically and maintain the lowest temp setting.
3. Long press the "Flush" button to turn on/off the auto flush function.
4. Long press the "Nozzle clean" button to turn on/off the pre-flush function.
5. Long press the "Air temp" button to turn on/off the 4-Season Comfort function.
6. When needs to turn on/ off the automatic open&close lid function, please long press "Nozzle clean+H/C Massage" buttons on the remote control.
7. Long press the "Seat temp" button to turn on the foam shield function.
8. Long press the "Water temp" and "Seat temp" buttons at the same time to turn on/off the automatic foaming function.
※ The H/C Massage mode can only be activated when the cleaning function is turned on.

Warnings And Safety

Please read thoroughly

First of all, thank you for purchasing our product. To ensure proper and safe use of this product, carefully read this section prior to any usage. Afterwards, store this manual in a safe place for any needed future reference.

The hazards and warnings listed herein are important to our user's safety. Significant consequences may result from failure to heed warnings. The company will not be held liable for any injuries to the user and damages to the product due to improper usage and/or failure to heed safety warnings.

Explanation of Terms and Symbols

- Warning** . . . 「Indicates possible injury resulting from improper usage due to negligence of this sign.」
- Attention** . . . 「Indicates human injury or property loss that may result in improper usage due to negligence of this sign.」
- 「Note」 When used with the above "Warning" and "Attention" signs, indicates a strict request to follow noted precautions.
- 「Prohibits any individual from performing any action with this symbol」
- 「Prohibits any individual from dismantling product.」
- 「Keep product away from any wet environments, including, but is not limited to, humid environments, close proximities to baths, showers or sinks.」
- 「Do not touch!」
- 「Do not touch with a wet hand!」
- 「Keep away from any extreme heat or fire!」
- 「Operate only as instructed!」
- 「Pull out the power plug!」
- 「Protective grounding」

Warning

This product needs to be properly grounded.

- ※Risk of electric shock
- ※If unsure, contact an electrician. electrical installation company.



Do not place a lit cigarette along with other burning objects into the unit.

- ※Risk of fire.



Do not touch, insert or pull out the power plug with a wet hand.

- ※Risk of electric shock.



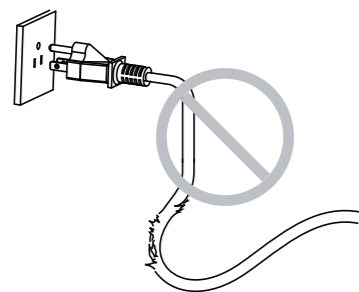
Do not use during thunderstorms (pull out the power plug during storms).

- ※Failure in doing so may lead to injury or fault in the product.



Do not use a power socket in poor condition or a damaged power plug.

- ※Risk of fire and/or electric shock.



When the seat ring or the cover plate is damaged, to avoid any harm, be sure to pull off the power plug, close the water source and contact your local distributor for replacement.

- ※Risk of fire or electric shock.



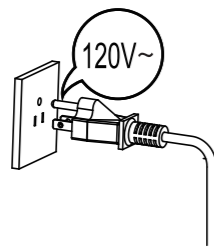
Regularly pull out the power plug and wipe off any dust on the power plug using a clean dry cloth.

- ※Risk of fire.



The power socket in use should be within the specified range (AC120V).

- ※Risk of fire and/or electric shock.



Any person with a disability, the elderly, and children, should be using this product with the supervision of another individual.

- ※Be advised that sitting on the heated seat for an extended amount of time may result in burns.



Do not pull, damage, bend, twist, stretch, roll, bundle, clamp or squeeze the power cable. Do not place anything on power cable.

- ※Risk of fire and/or electric shock



This product is not a toy. Advise children not to play with product.

- ※Risk of injury.



Do not dismantle, repair or alter this product on your own. Call in a professional for further advice.

- ※Risk of fire, electric shock, and/or other accident that may lead to injury.



If the power cord is damaged, to prevent any injuries or accidents, it should be replaced by a professional.

- ※Risk of fire and/or electric shock



Warning

For cleaning or maintenance of plastic parts, do not use any harsh cleaning agents. (These include, but are not limited to products such as: concentrated sulfuric acid, concentrated nitric acid, glacial acetic acid, carbon tetrachloride, chloroform, acetone, butanone, benzene, methylbenzene, phenol, methylphenol, dimethylformamide, methyl ether, soybean oil, acetate, 40% nitric acid, thick salt acid, 95% alcohol, gasoline, kerosene or brake oil, etc).

- ※Risk of damaging parts that can lead to accidents and injuries



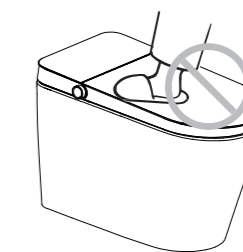
Do not use polluted water or water meant for industrial.

- ※Risk of urocystitis or dermatitis. Untreated water may also cause corrode inner workings of unit and may cause electrical shock or a fire.



Do not apply any force to the unit's seat and lid. Do not stand on the lid or open or close the lid and the seat forcefully.

- ※This may result in product damage and/or user injury.



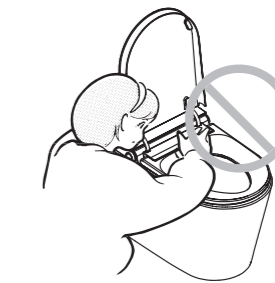
Do not add water or detergent into the unit or on to the wireless remote. Do not soak the product with water or cleaner.

- ※Risk of fire and/or electric shock.



Do not place your hand or any other object into the dryer trap, and do not cover the dryer and dryer trap during product use.

- ※Risk of fire, electric shock, and/or other accident that may lead to user injury.



Do not install product in a humid environment or a soak room. Do not spray or soak this product with any form of liquid to prevent any damage to the product.

- ※Risk of fire and/or electric shock.



Do not spray urine at the dryer trap.

- ※Risk of electric shock.



Read the following for proper battery usage.

- Properly install the battery according to its correct polarity.
 - Remove the battery during long periods without use.
 - Replace the battery before it reaches the end of its usage. Failure to do so may result in interrupted control signals.
 - Cover the battery with tape before disposal.
- ※This will prevent battery fluid leaks that may cause fire and/or other damages.



Warning

- Place the battery out of children and infant reach.
- ※ If battery is swallowed, contact a doctor immediately.
- If battery fluid leaks onto user, quickly rinse off area using water.
- If battery fluid gets into eyes, do not rub your eyes. Quickly rinse it with water and consult a doctor immediately.
- ※ May result in vision impairment or blindness.



When the battery is in use, do not do the following operations.

- Do not hold or store with metal objects (such as a necklace or a watch).
- Do not mix new and old batteries.
- Do not pull battery apart battery or throw it into water and/or fire. Battery fluids may cause a fire.



Attention

Do not use the heated seat or warm dryer temperature for an extended amount of time.

※ Extended use may result in burns.



Avoid direct sunlight or heat.

※ Risk of product discoloration.



While using this product, make sure that the skin is in contact with the seat sensor area. Otherwise, product may not operate correctly.

※ Children and smaller individuals may have trouble staying in contact with sensor area.



Do not supply electricity with an external switch. I.e: connecting the universal part to a timer switch.

※ Run the risk of issues caused by improperly resetting the thermal breaker.



Pull out the power plug when the product is in disuse for an extended amount of time. Make sure to shut off the water and remove the water inside the product.

※ Risk of fire, leaks, and product damage.



Do not spray urine in the direction of the bidet nozzle.

※ Doing so may result in blockage to the bidet nozzles and cleaning area.



Do not use your old hose component. Use the one provided with your product. Anything else connected to the older hose may need to be replaced.

※ Risk of water leakage and/or property loss/damage.



When storing or transporting in cold climate, make sure to remove all water from the unit. Product may crack and other damages may occur due to freezing water.

※ Risk of fire, leaks, and product damage.



In case of sudden power failure, remove the power plug and close the angle valve to prevent water leakage.

※ Risk of water leakage and/or property loss/damage.



Installation

Tools required for installation

Required tools

Required tools for installation. Please have these tools prepared prior to installation.



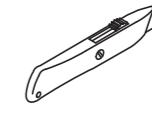
Drill
(Dia. 0.24in)



Silicone gun



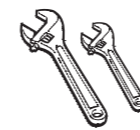
Teflon tape



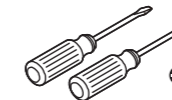
Knife



Marking pen



0.91 - 0.98 in
(Spanner model varies for different pipes)



⊕ screw driver



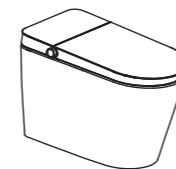
Measuring tape



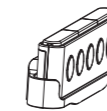
Measuring cup

Item list (Confirm that all below items are inside the box)

Smart Toilet(1 set)

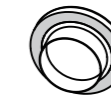


Remote controller set(1 set)

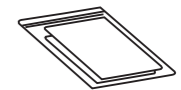


(holder 1 pc, screw 2 pcs)

Wax Ring(1 pcs)



Installation Book & User Manual



T-valve(1 pc)



(G1/2,G1/2,11/16")

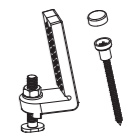
Battery box(1 set)



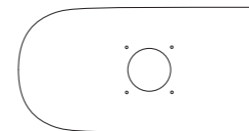
Sealing Flange



Mounting accessory kit(2 pcs)



Mounting Template



※ Please confirm all the aforementioned items are inside the package.

If there are any omissions, please contact our customer service.

※ Illustrations above are for references only, Actual objects may look different in person.

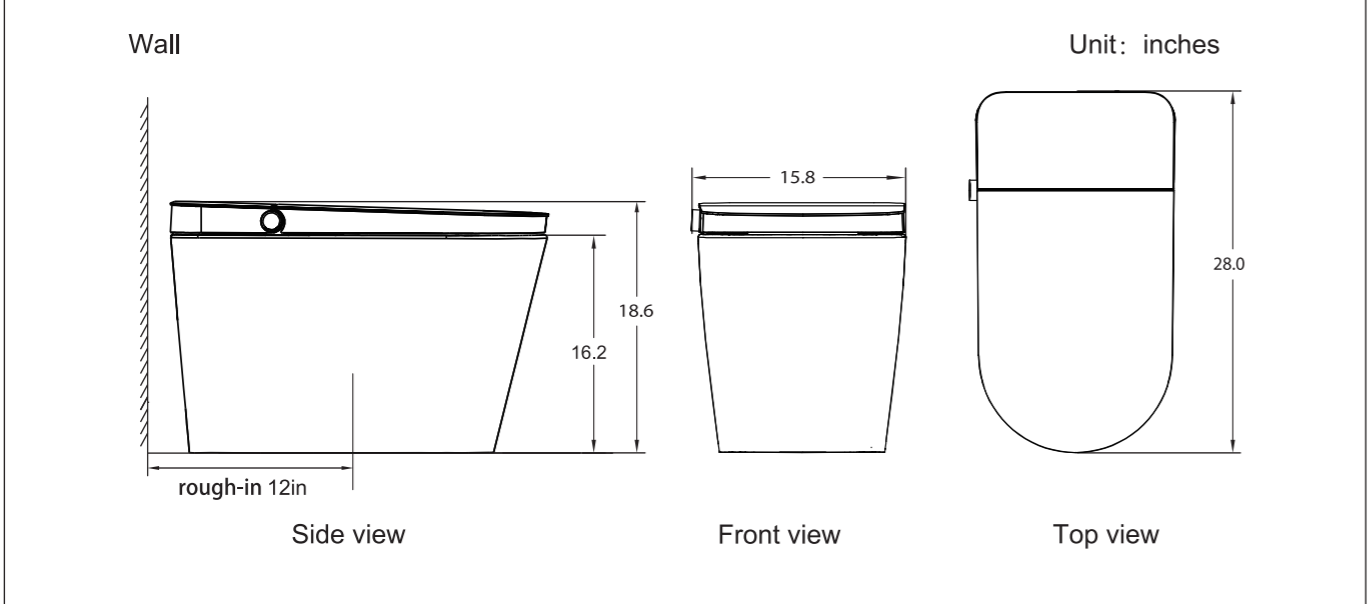
※ If your water valve is 9/16", you could directly connect the T-valve; If your water valve is 11/16", please screw off the adapter, then connect it.

※ The battery box and remote does not include batteries when it leaves the factory and needs to be purchased separately.

Before You Install

Dimensional drawing, water pressure check

Confirm dimensions of product with installation space



Confirmation of water pressure

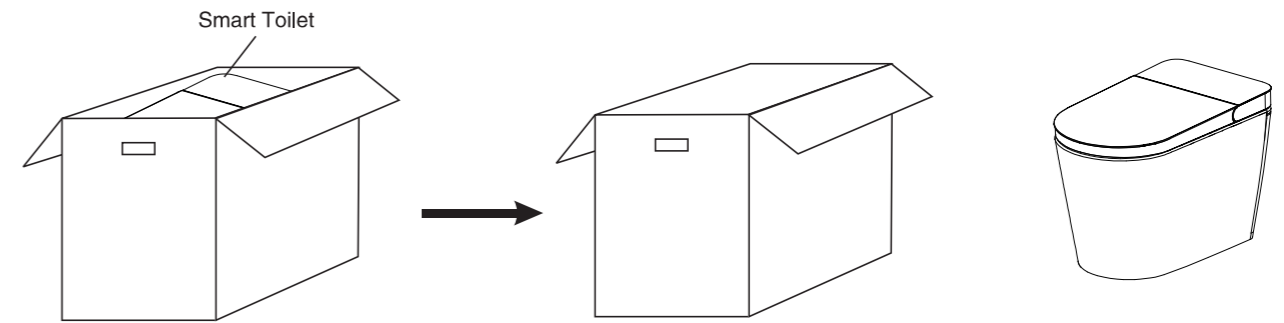
- The lowest working water pressure is 11.6psi, the highest water pressure is 108.8psi, the toilet can not reach the best clean situation when the lowest water pressure can not reach 11.6psi.

Installing Your Product

Install your unit as the following steps

1 Open the box right side up

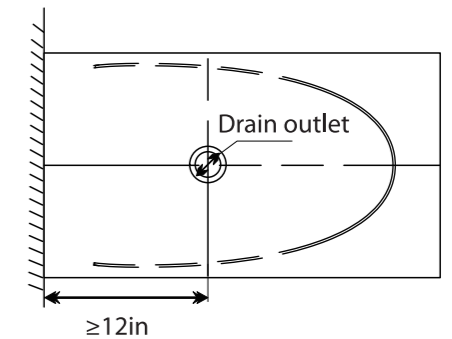
Remove the accessories first, then remove the unit from the top, as shown in the diagrams below.



2 Mark your drainage hole with a cross

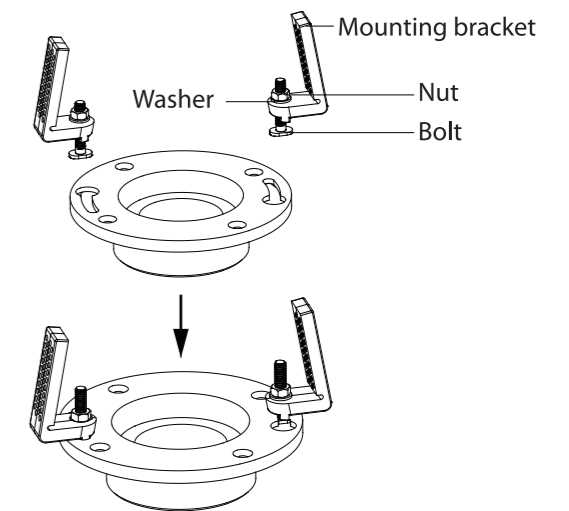
Cardboard installation

- Align cardboard with the centerline of drain outlet;
- Draw contour line according to cardboard;



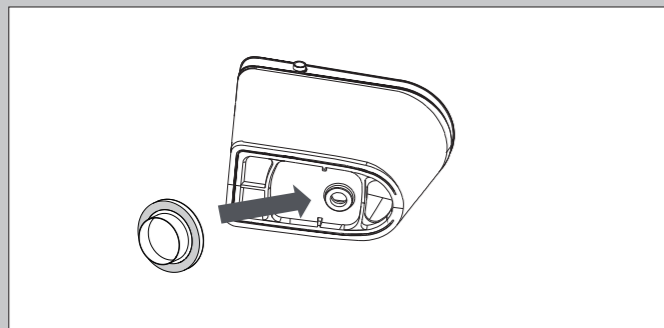
3 Mounting bracket installation

- Assemble the mounting bracket with bolts and then install them to the pre-installed flange plate on the ground and lock tight with nuts.

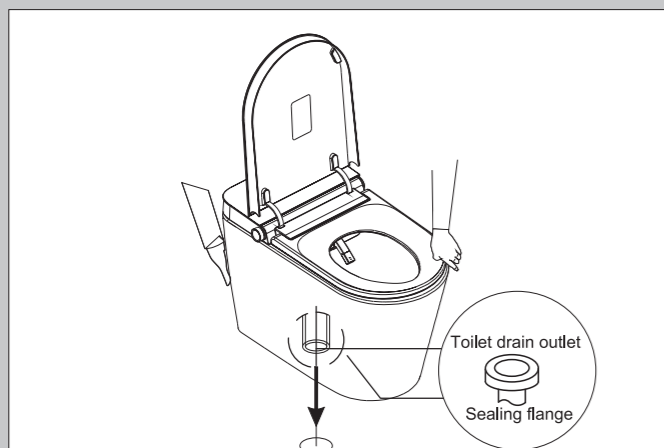


4 Install the ceramic, water supply hoses and T-valve

1. Place the wax ring on the drain hole at the bottom of the ceramic.

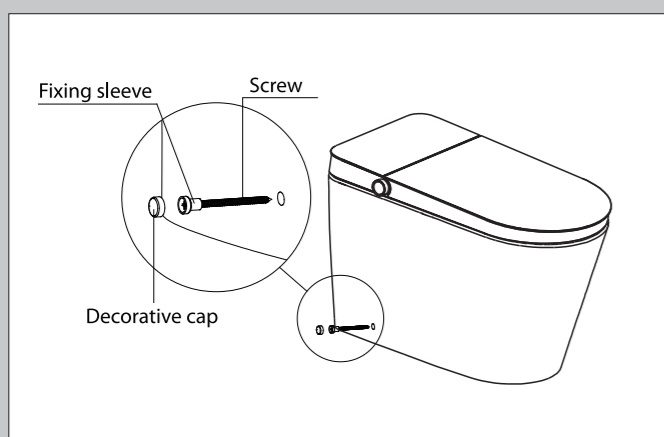


2. Install sealing flange into drain outlet;
3. Install ceramic toilet on corresponding position according to contour line.

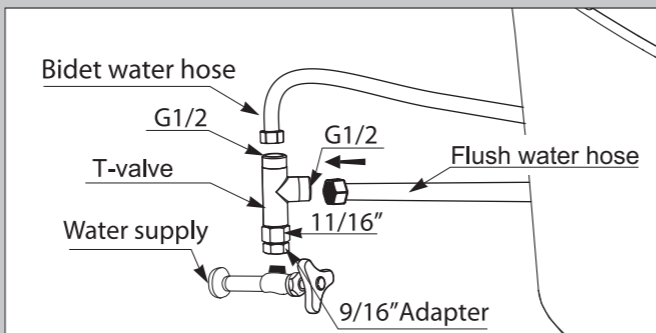


Tips: The toilet is heavy, and it needs to open the seat cover to carry it by two people.

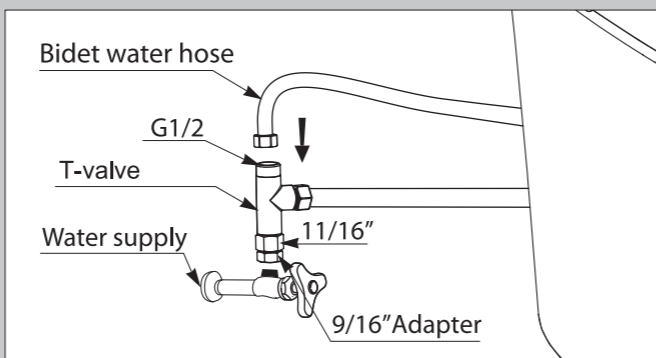
4. Put the screw through the fixing sleeve and then install it through the holes (on both sides of the toilet ceramic) to the mounting bracket on the ground, and lock tight with a tool;
5. Put the decorative cap on the fixing sleeve.



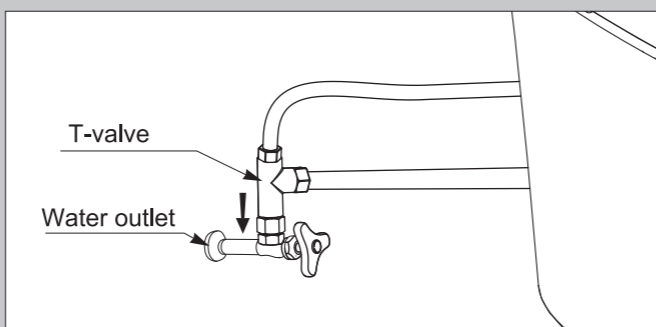
6. Attach the flush water hose to the T-valve and tighten.



7. Attach the clean water hose to the T-valve and tighten.



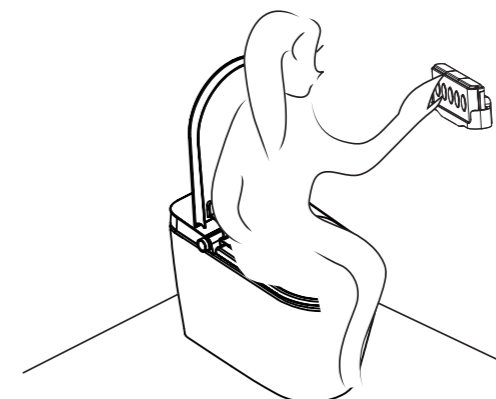
8. Connect the T-valve to the water supply and tighten. Use gasket to prevent water leakage. (Available in 9/16" and 11/16" connectors.)



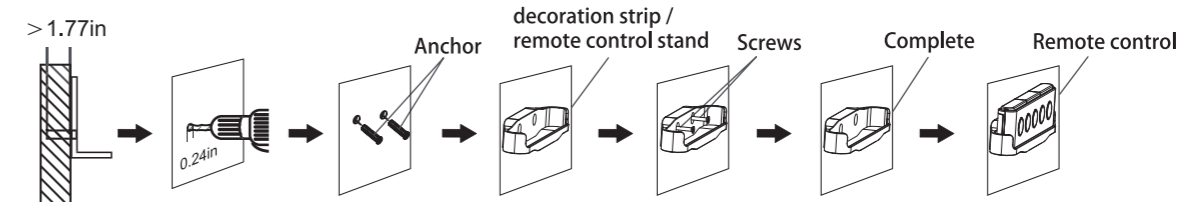
9. Finish installation.

5 Installing the remote

1. Drill two 6mm (0.24 inch) diameter holes on the wall (about 1.77 in deep)
 2. Knock the anchors into the hole with a hammer.
 3. Secure the holder with anchors.
 4. Use the screws to secure the holder to the wall.
 5. Remove the battery cover from the backside of the remote to install batteries
 6. Once finished, remote is ready to be placed in its holder.
- Detailed steps shown in the diagram below:
- ※ Please use proper mounting tools for special wall surfaces (such as wood, HDF, etc.)
 - ※ The remote control holder should be installed away from the bidet's spray trajectory.
 - ※ The remote control holder should be installed within reach when seated on toilet.
 - ※ Make sure there is nothing to block the transmission between the toilet and its remote.

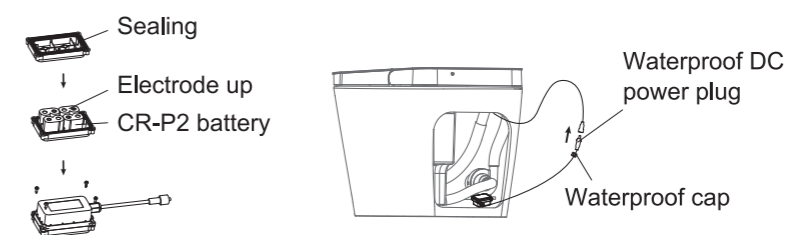


Steps:



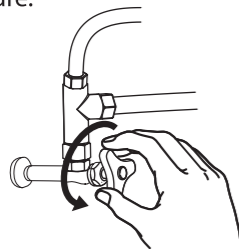
6 Installing and replacing the battery

1. Prepare four groups of CR-P2 batteries.
 2. Check whether the sealing ring of the battery box is in good condition.
 3. With reference to the installation picture of the battery, insert four groups of CR-P2 batteries into the battery box and lock the battery box.
 4. Connect the waterproof DC power plug and tighten the waterproof cap.
 5. Place the battery box in a suitable position as shown.
 6. For any questions, please call the customer service center or your local dealer.
- ※ The battery should be placed out of the reach of children.
 - ※ Some batteries and connecting wires may have slots. Please do not forcibly insert, otherwise, it will lead to product damage.



7 Testing water flow

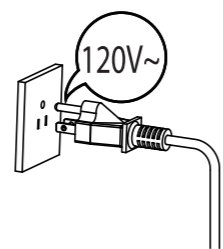
1. Fully open the angle valve as shown in the figure.



2. Confirm there is no leaks.
※ In case of water leaking, unfasten the nuts and install them again.

8 Connecting power

1. Connect to the grounding.
2. Plug in AC 120V power plug.



3. Check if the power is on.

(1) Check if the power light is on.
(2) When unseated and powered on: Press and hold the knob for 3 seconds to enter the standby mode.

Testing the product

(test whether the functions of the buttons on the remote control and the knob on the side of the body are normal)

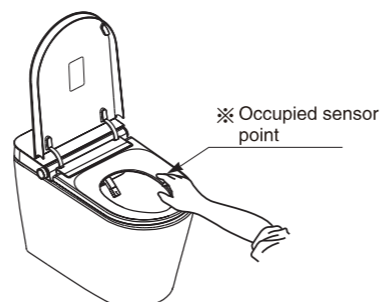
● Are all the functions working properly?

Rear Wash, Front Wash (Including water pressure & nozzle position adjustment), Heated Dryer, Water & Seat temperature Adjustment, Nozzle cleaning, Remote Control.

All functions listed above should be tested.

● Checking Rear Wash

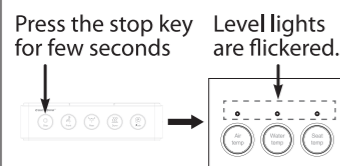
Hold the seat sensor area with your hand, turn the knob forward or press the "Rear" button on remote control. Please place a cup or bowl in front of the nozzle to avoid water spraying and to keep from getting wet.



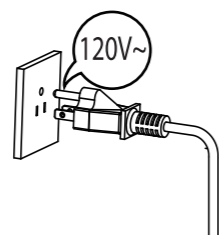
Matching your remote control code

※ When the product leaves the factory, the remote control and the product are connected, if the remote control went failure, please re-connect the code as following methods.

1. Unplug the product's plug, press the stop key for few seconds until the level lights are flickered.

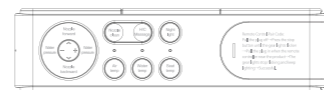


2. Plug in again when the remote control get closer to the product.



3. The level lights stop flickering. And then they are on.

All the level lights are on.



4. The remote control and the toilet are re-connected.

《Function Explanations》

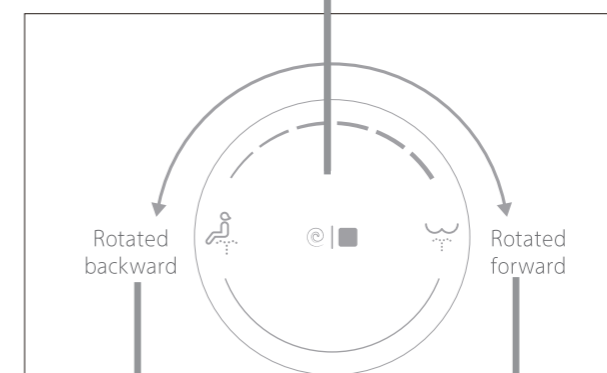
■ Power/Stop

Under standby mode, long press the knob for 3s to activate the toilet.
When toilet is activated and seated, under rear/front/drying mode, short press the knob to stop the current function.
When toilet is activated and seated, Long press the knob for 3s, the air dryer is activated.
When toilet is activated and no user is seating, short press the knob for flushing, long press the knob for 3s to enter into standby mode.

■ Emergency Flush

When the product is power-off, short press the knob to enable emergency flush.

※ If the above operation does not work, you need to replace the battery or contact us.
※ Please kindly noted that you would like to purchase batteries to use this function.



■ Front Wash

Under no cleaning and drying mode, and seating on the toilet.

"Rotated backward", rotate it backwards for 45° to enter into front wash mode.
Default setting: oscillating front wash.
Operation cycle: front wash 1.5 mins + drying 4 mins + flushing once.
During front washing, turn the knob to adjust water pressure.
During drying, turn the knob to adjust wind speed.

■ Rear Wash

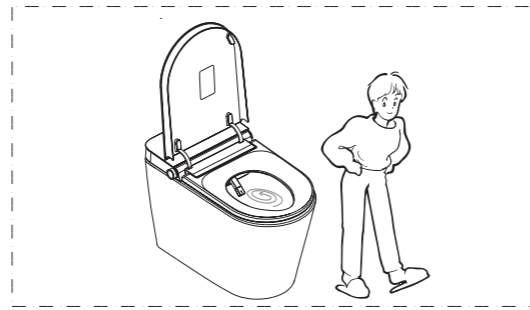
Under no cleaning and drying mode, and seating on the toilet.

"Rotated forward", rotate it forwards for 45° to enter into rear wash mode.
Default setting: oscillating rear wash.
Operation cycle: rear wash 1.5 mins + drying 4 mins + flushing once.
During rear washing, turn the knob to adjust water pressure.
During drying, turn the knob to adjust wind speed.

※ When starting up, short press the knob to send ceramic flushing command when there is no function.

■ Auto Flush

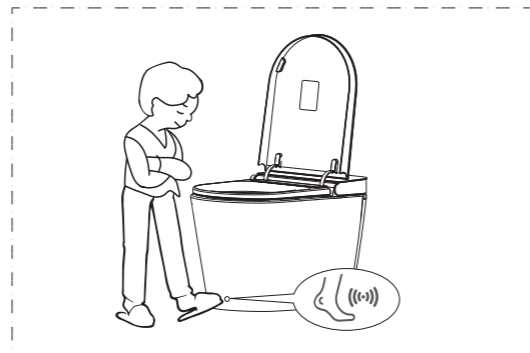
The system triggers automatic flushing upon detecting the user's departure from the toilet seat without post-use flushing.



■ Foot Sensor Flush

Tap the foot sensor.

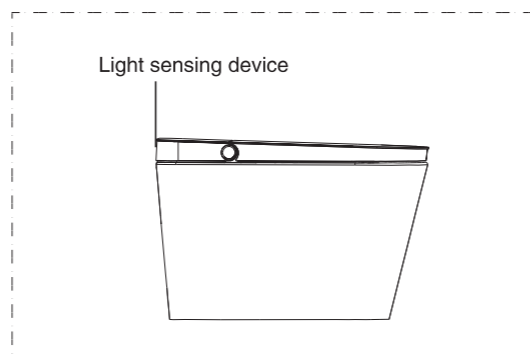
When the lid and seat are both closed, touch the foot sensor to open the lid. Touch the foot sensor again to open the seat. Lightly touch the foot sensor once more to close both the seat and lid and activate a single flush.



■ Night Light

It runs automatically around the ambient light.

When the night light is turned on, it will automatically turn on/off the night light through the changes of intensity of the outside light. When the light is strong, the night light is automatically turned off, and when the light is weak, the night light is automatically turned on.



■ Automatic Deodorization

The function will operate automatically.

The deodorization function will be activated when seating on the toilet, and will be closed after leaving the seat for 3mins.

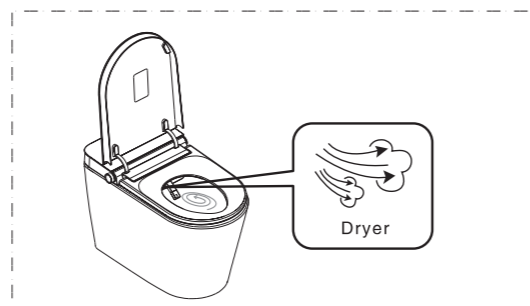


■ Drying With Flush

After cleaning and without flushing, press the "Dryer" button.

The warm air function is activated and a flush is performed.

※Rear/front wash is not available during flushing.



■ Digital Display

When setting temperature of water/dryer/seat, the corresponding indicator lights up. ECO is showed when the power saving function is activated.



■ Dryer

Dries front and rear.

Press "Dryer" once. Press the "Dryer" button again, the wind speed can be adjusted to 3.

■ Power Saving ECO

Long press the "Night light" button to turn on/off the power saving ECO function.

When power saving and seat temperature are activated, about 30 minutes after leaving your seat, seat temperature decreases to a low setting and held.

■ Foam Shield

Long press the "Seat temp" button to turn on the foam shield function. Long press the "Water temp" and "Seat temp" buttons at the same time to turn on/off the automatic foaming function.

※Please kindly note that the foam cleaner is sold separately, is not included in the package.

■ Ambient Lighting

Long press the "Nozzle backward" button to cycle through ambient lighting colors.

With 4 adjustable modes: Spring Green, Summer Blue, Autumn Orange, and Winter White

■ 4-Season Comfort

Long press the "Air temp" button to turn on the 4-Season Comfort function. The "Water temp", "Seat temp", and "Air temp" are automatically adjusted based on the ambient temperature.

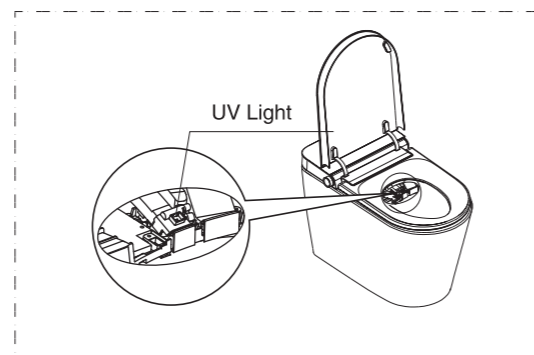
During use, these settings can be manually overridden via the remote control. After leaving the seat, the system reverts to the 4-Season Comfort mode.

UV Sterilization

Disinfection at the nozzle.

10s after user unseats, UV sterilization will initiate automatically to work for 3 minutes. During this time, either press "stop" button or activate seat sensor can quit UV sterilizing.

※Ultraviolet lamp device is installed inside smart toilet.

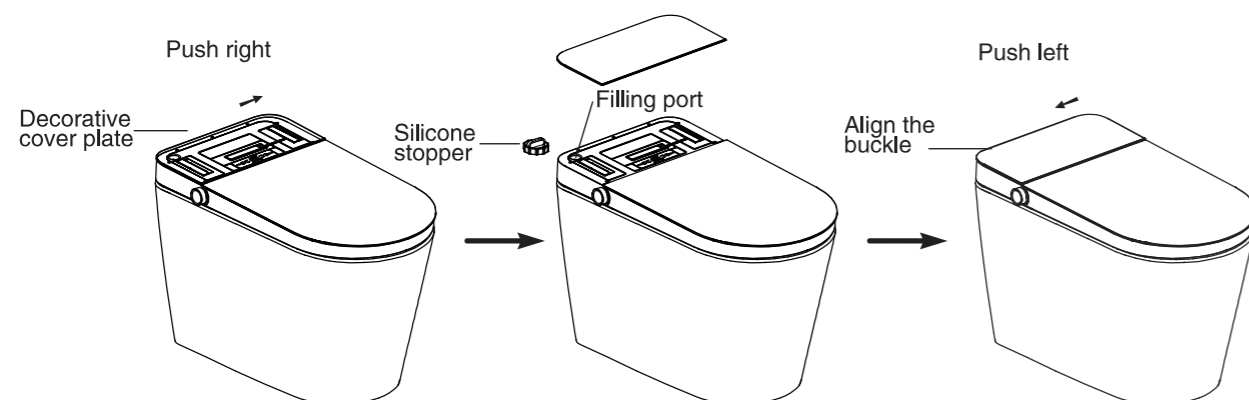


User-friendly Design

- Slow-closing cover/seat
Preserve your toilet's life and allows you to close the cover/seat silently.
 - Damper
The product has installed the damper which provide the toilet cover and toilet seat with a buffer function, to achieve the mute effect.
 - Multi-Protections
Multiple built-in safety features to protect the user and product.
 - Memory mode
By power off, water/air temp, water pressure, nozzle position are all restored to mid-range, Power on/off, the toilet will keep the last setting status.
 - Self-cleaning Nozzle
The washer can automatically clean, keeping bacteria and stains away.
 - Pre-flush
After seating, the toilet will flush once to moisten the bowl.
- ※When both the automatic foaming and pre-flush functions are activated simultaneously, the foam shield function will be automatically activated upon sitting, replacing the pre-flush function.

Foam cleaner filling

1. Push right to remove the decorative cover, then take out the silicone plug of the liquid filling port.
 2. Open the cap of the foam liquid bottle, pour the foam liquid through liquid filling port into the product; the amount of liquid added at one time should not exceed 600ml, otherwise it will overflow.
 3. Put the silicone plug back into the filling port, align the decorative cover with the buckle, and push it left into place.
 4. Seat occupied or long press "Seat temp" on remote, no foam flows out, it means the foam cleaner has run out and needs to refill. Please do the filling following steps 1-3.
- New factory products need to add foam cleaner for the first use.
 - Before filling the foam cleaner, please unplug first. After filling, connect the toilet with power again.
 - Please use customized foam cleaner, otherwise it may cause clogging and damage to internal components.
 - When filling the foam cleaner or performing maintenance, be careful not to let sediment and other impurities fall into the filling port.
 - Contact your seller for foam cleaner replacement and purchase.



Intelligent Toilet

Maintenance

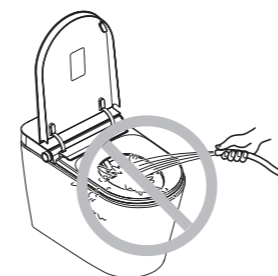
Regular maintenance is required to ensure normal use

Note

- Cut off the power and water supply before maintenance.
- Direct water wash to the entire product is prohibited.

WARNING

Do not spray water or detergents on the toilet, remote control or the power cord. Doing so may cause electric shock or fire.



Maintenance during Winter Season

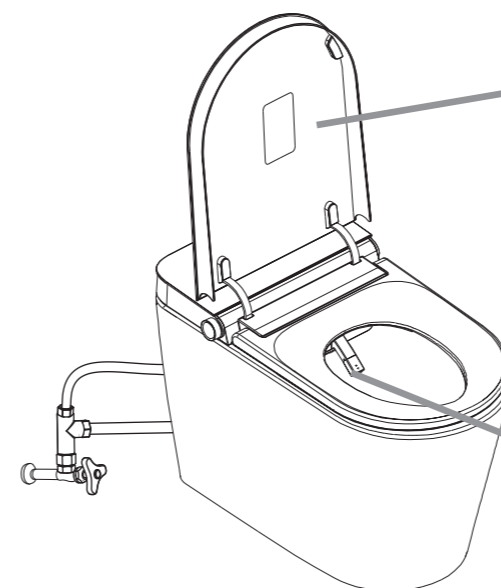
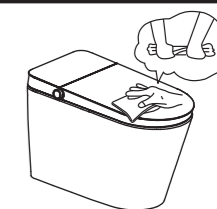
During winter season, the water inside may freeze after long periods of storage and non-usage. Please take measures to prevent.

Note

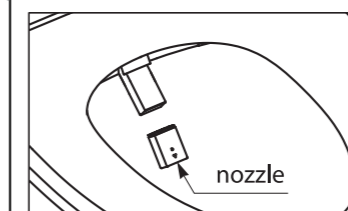
- Before connecting the product to the water supply and electrical outlet, allow it to defrost for 30 mins in a warm indoor environment.
- In cases of extreme cold/freezing/nozzle stuck in place, wrap the water input line with a warm towel. Never pour hot water or use a hot dryer directly on the toilet.

Maintenance of product surface, ceramics, metal and tempered glass decorative cover

- Wipe dust or stains with a soft wet cloth.
 - A wet soft brush, cloth or sponge may be used to clean the ceramic area.
 - It is recommended to use metal specific cleaning agents when cleaning and maintaining metal accessories to avoid rust, and to wipe them clean in a timely manner after cleaning.
 - Regarding the cleaning of the tempered glass decorative cover, it should be used in glass cleaner. Spray an appropriate amount of glass cleaner onto the tempered glass with fingerprints. Then, gently wipe the surface with a clean, soft cloth or paper towel to effectively remove fingerprints and other stains. Finally, dry the glass with a clean, dry cloth to prevent water spots.
- ※ Do not use abrasive cleaning solutions, such as alcohol, bleach, paint thinner, cresol, benzene, gasoline, etc.



Maintenance of the nozzle



Powered on and not seated: Press the "Nozzle clean" button on the remote control, the spray wand will automatically extend. If there is dirt attached to the surface of the nozzle, clean it with a toothbrush. To remove the nozzle, gently hold the spray wand and disassemble the nozzle.

※ Do not clean with excessive force, otherwise it will damage the nozzle.

※ When the nozzle is clogged, it is recommended to replace it with a new one.

Troubleshooting

Experiencing issues with your product?

Find solutions below to solve your problems. Contact us if the problem persists.

Power Button

Phenomenon	Fault Diagnoses	Solutions
Not working	Check whether the plug is loose or not	Check the power supply
	Check whether the power is on (the power light is off)	Press the rotated switch for 3s until the power light is on

Wash Functions

Phenomenon	Fault Diagnoses	Solutions
No water from the nozzle	Check whether or not the water supply cuts off	Wait for the water supply
	Check whether or not the angle valve switches off	Open the angle valve
	Check whether or not the filter mesh is blocked	Clean the filter mesh or change the filter mesh
	Check whether or not the inlet pipe is flexed	Straighten the hose to eliminate the flex
Poor cleaning performance	Check if the water pressure is set at lowest level	Reset the water pressure
	Check whether or not the filter mesh is blocked	Clean the filter mesh or change the filter mesh
Unusual water flow from the nozzle	Abnormal operation	Unplug for one minute and then re-plug in
The water temp is not warm enough	Check if the water temp is set at lowest level	Reset the water temperature
Leaking nozzle	Solenoid valve failure	Please contact us directly for return and exchange
Bidet cleaning can not work	Human induction system failure	Please contact us directly for return and exchange

Dryer

Phenomenon	Fault Diagnoses	Solutions
The dryer blows cold air	Check whether or not the dryer switches off	Reset the air temperature
	Check whether or not the heating element of dryer is damaged	Please contact us directly for return and exchange

Heated Seat

Phenomenon	Fault Diagnoses	Solutions
The seat temp is too low or is not hot	Check whether or nor the temp of toilet seat is on the "off" position	Reset the seat temperature

Remote Control

Phenomenon	Fault Diagnoses	Solutions
The blue light of water temp flashes.	Low battery	Please replace 2 new AAA batteries
Remote control is not working	Remote control got wet	Wipe off water and let it dry

Toilet Unit

Phenomenon	Fault Diagnoses	Solutions
Poor flush performance	No power supply	Power restoration
	No water supply	Turn on water supply. If doesn't work, please contact us directly for return and exchange
	No water but have the sound of flushing	1. Check whether the hose is bended 2. Check there is any damage of water pump
	Keep flushing	Please contact us directly for return and exchange

Soft-Closing Feature

Phenomenon	Fault Diagnoses	Solutions
Seat and cover slamming	Dampers failure	Please contact us directly for return and exchange

Specifications

Rated voltage		120V~
Frequency		60Hz
Rated power		1050W(When inlet water temp in 59 °F)
Seat and water temperature range		Off/93.2°F-102.2°F(4 levels)
Dryer temperature range		95°F-131°F
Water supply hose type		DN15(G1/2")
Water Inlet	Minimum pressure	11.6psi, and also make sure the water flow is above 0.61gal/10s
	Maximum pressure	108.8psi (static state)
Toilet	Flush type	Tornado Flush
	Rough-in	Rough-in 12in
Washing	Heating type	Instant heating
	Temp of warm water	Off/93.2°F-102.2°F(4 levels)
	Safety devices	Butterfly thermostat, thermal fuse, flow sensor
Dryer	Dryer temp range	Off/95°F-131°F(4 levels)
	Safety devices	Thermal Fuse, bi-Metal
Heated Seat	Heat temp range	Off/93.2°F-102.2°F(4 levels)
	Safety devices	Thermal Fuse
Remote control	Battery	Two AAA Batteries
Power cable length		Appx.35.43in