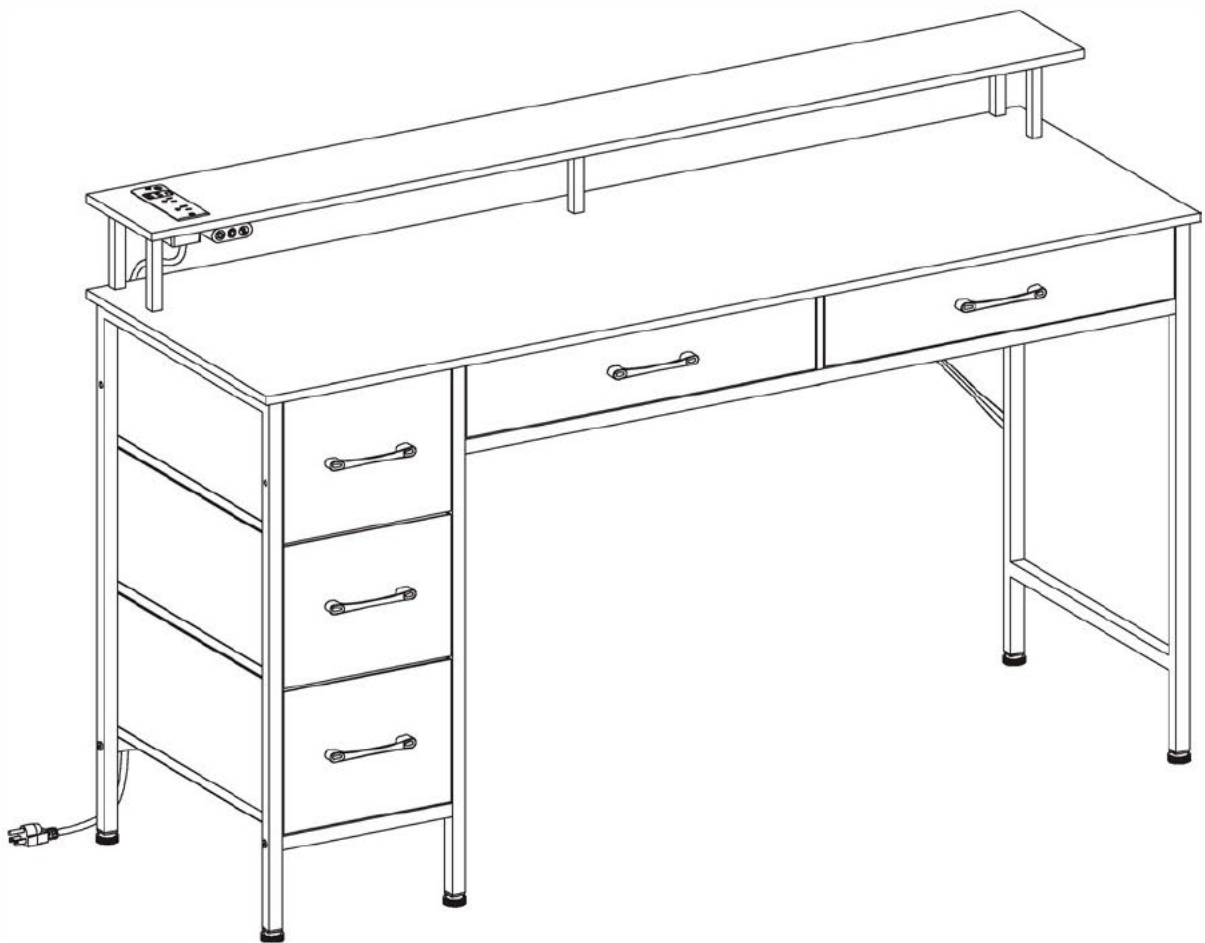


COMPUTER DESK



Suggestion: To make the installation process easier and faster, we recommend that **TWO** people work together to install the COMPUTER DESK.

When dealing with this product, please refrain from simply throwing it away. Instead, kindly dispose of it in the designated recycling container.

EN

General Guidelines

- Please read the following instructions carefully and use the product accordingly.
- Please keep this manual and hand it over when you transfer the product.
- This summary may not include every detail of all variations and considered steps. Please contact us when further information and help are needed.

Notes

- Product is intended for indoor use only. It must be assembled and used according to the instructions. The seller does not accept any responsibility for damage or injury resulting from improper assembly or use.
- Please avoid long-term exposure to humid environment to prevent mildew.
- During assembly, align all screws with the corresponding pre-drilled holes first and then tighten them one by one.
- Inspect the screws regularly. Screws may become loose during long-term use. If necessary, retighten them to ensure stability and security.

Warnings

- Children are not allowed to assemble the product. During assembly, keep any small part out of reach of children as they may be fatal if swallowed or inhaled.
- Children are not allowed to stand, climb or play on the product to avoid serious bodily injury by the toppling.
- Keep plastic packing bags out of reach of children to avoid any potential danger, such as suffocation.
- Avoid sharp objects and corrosive chemicals to prevent damage to the product or bodily injury.

DE

Einleitung

- Bitte lesen Sie die folgende Anleitung aufmerksam durch und verwenden Sie das Produkt sachgemäß.
- Bewahren Sie diese Anleitung gut auf und händigen Sie sie bei Weitergabe des Produkts an Dritte ebenfalls mit aus.
- Aus Gründen der Übersicht können nicht alle Details zu allen Varianten und denkbaren Montagen beschrieben werden. Wenn Sie weitere Informationen und Hilfe benötigen, kontaktieren Sie uns bitte.

Hinweise

- Dieses Produkt ist nur für den Gebrauch in Innenräumen vorgesehen. Eine andere Verwendung als beschrieben, oder eine Veränderung/ein Umbau des Produkts ist nicht erlaubt und kann zu Verletzungen und/oder Beschädigungen des Produkts führen. Der Händler übernimmt keine Haftung für Schäden, die durch unsachgemäßen Gebrauch oder falsche Montage entstanden sind.
- Halten Sie das Produkt nicht langfristig in einer feuchten Umgebung, um Schimmel zu vermeiden.
- Ziehen Sie die Schrauben bitte zuerst nicht an. Nachdem Sie alle Schrauben eingesetzt haben, schrauben Sie sie erst vorsichtig fest.
- Prüfen Sie regelmäßig den festen Sitz der Schrauben und Verbindungen, falls notwendig nachziehen.

Warnhinweise

- Halten Sie Kinder bei der Montage fern, da Kleinteile bei Verschlucken oder Einatmen tödlich sein können.
- Um mögliche Körperverletzungen zu vermeiden, ist es Kindern verboten, auf diesem Produkt zu klettern oder damit zu spielen.
- Schützen Sie Ihre Kinder von Verpackungsteile wie Folien oder Plastikbeutel fern, da Verpackungsteile oft nicht erkennbare Gefahren bergen (z. B. Erstickengefahr).
- Halten Sie spitze Gegenstände und ätzende Chemikalien vom Produkt fern, da diese die Oberfläche beschädigen können.

FR

Introduction

- Lisez attentivement ces instructions et utilisez votre produit d'après ce mode d'emploi.
- Conservez ces instructions. Si vous souhaitez offrir ce produit à un tiers, joignez obligatoirement ce mode d'emploi.
- Pour des raisons de clarté, les détails concernant chaque variante ou montage envisageable ne peuvent être tous décrits. Si vous souhaitez obtenir plus d'informations ou si vous rencontrez certains problèmes non traités de manière détaillée dans ces instructions, veuillez nous contacter.

Notes

- Ce produit est conçu pour une utilisation à l'intérieur. Le produit doit être monté et utilisé d'après ce mode d'emploi. Les utilisations qui ne correspondent pas à la description ci-dessus ou les modifications de l'article ne sont pas autorisées. Le vendeur ne prend aucune responsabilité des dommages causés par un montage incorrect ou une utilisation non conforme.
- Évitez de placer le produit dans un environnement humide pendant une longue durée car peut provoquer de la moisissure.

- Lors du montage, veuillez bien positionner et régler toutes les vis et les écrous, ensuite effectuer un serrage progressif de l'ensemble des vis.
- Il est conseillé de vérifier régulièrement les vis qui pourraient se desserrer progressivement pendant l'utilisation, ce qui risque de provoquer des dommages causés par un renversement du produit. Veuillez donc à vous assurer que les vis sont bien serrées.

Avertissements

- Il est interdit aux enfants de participer à l'assemblage du produit car il comprend de nombreuses petites pièces et l'aspiration ou l'ingestion de ces pièces présente un risque mortel.
- Ne pas laissez les enfants monter ou jouer sur le produit pour éviter des blessures causés par le renversement du produit.
- Pour éviter le danger inattendu (ex. l'étouffement), gardez toutes pièces et l'emballage (films, sac plastiques, polystyrènes, etc.) loin des enfants.
- Éloignez les objets pointus ou corrosifs du produit pour éviter les dommages possibles.

IT

Linee guida generali

- Si prega di leggere attentamente le seguenti istruzioni e usare il prodotto in modo opportuno.
- Si prega di conservare questo manuale e consegnarlo quando il prodotto cambia proprietario.
- Questo riassunto potrebbe non includere ogni dettaglio di tutte le variazioni e le fasi considerate. Contattaci se hai bisogno di ulteriori informazioni e assistenza.

Note

- Il prodotto è inteso esclusivamente per uso interno. Deve essere assemblato e usato come descritto nelle istruzioni. Il rivenditore non accetta alcuna responsabilità per danni o infortuni risultanti da assemblaggio o uso improprio.
- Si prega di evitare esposizione prolungata a ambienti umidi per prevenire la formazione di muffa.
- Durante l'assemblaggio, allineare tutte le viti con i fori corrispondenti, quindi stringerle una ad una.
- Controllare regolarmente le viti. Potrebbero allentarsi dopo lunghi periodi d'uso. Se necessario, stringerle nuovamente per garantire stabilità e sicurezza.

Avvertenze

- I bambini non possono assemblare il prodotto. Durante l'assemblaggio, tenere le parti di piccole dimensioni fuori dalla portata dei bambini, potrebbero essere fatali se ingerite o inalate.
- Impedire ai bambini di salire in piedi, arrampicarsi o giocare sul prodotto per evitare infortuni gravi causati dalla caduta.
- Tenere le borse di plastica dell'imballaggio fuori dalla portata dei bambini per evitare qualsiasi potenziale rischio, come il soffocamento.
- Fare attenzione a oggetti appuntiti e sostanze corrosive per prevenire danni e infortuni.

ES

Acerca del manual

- Por favor, lea detenidamente las instrucciones y respete los debidos usos del producto.
- Por favor, conserve bien este manual y en caso de cesión, no omita entregarlo junto al producto.
- Este manual podría no incluir todos los detalles de cada paso del montaje. Si necesita ayuda o información adicional, póngase en contacto con nosotros.

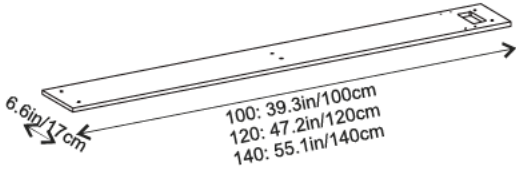
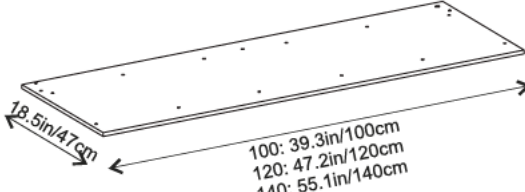

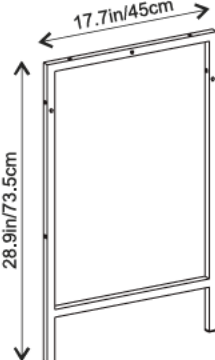
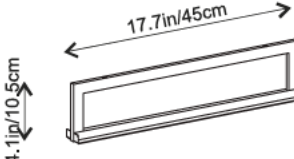
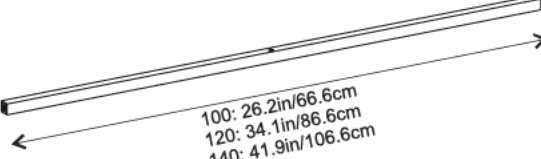
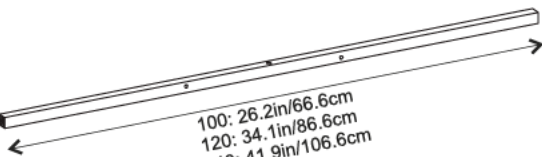
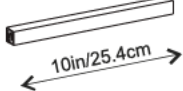
Notas

- Este producto está diseñado para uso interior. Ha de montarse y utilizarse el producto paso a paso siguiendo las instrucciones. De lo contrario, el vendedor no asume ninguna responsabilidad por los daños causados por el montaje y usos inadecuados.
- No coloque el producto en un ambiente húmedo durante un largo período de tiempo para evitar causar moho.
- Durante el montaje, por favor, no apriete completamente ningún tornillo, después de completar la instalación, apriete fuertemente todos los tornillos.
- Inspeccione regularmente los tornillos. Durante el uso, los tornillos tal vez se vayan soltando, causarán daños por la caída del producto, por eso asegure que todos los tornillos estén apretados.

Advertencias

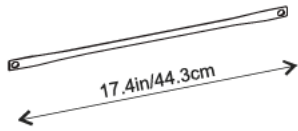
- Debido a múltiples tornillos y otras piezas pequeñas, no permita que se acerquen los niños por el riesgo de asfixia producido por tragar alguna pieza.
- No permita que el niño se suba o juegue con el producto para prevenir las lesiones causadas por la caída del producto.
- Guarde la bolsa de plástico fuera del alcance de los niños para evitar el peligro de asfixia.
- Mantenga el producto alejado de los objetos afilados y sustancias químicas agresivas.

Accessories list

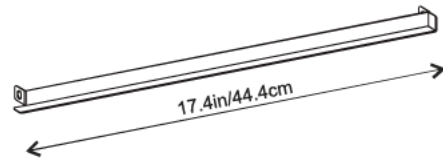
<p>1 x1</p>  <p>6.6in/17cm 100: 39.3in/100cm 120: 47.2in/120cm 140: 55.1in/140cm</p>	<p>2 x1</p>  <p>18.5in/47cm 100: 39.3in/100cm 120: 47.2in/120cm 140: 55.1in/140cm</p>
<p>3 x2</p>  <p>17.7in/45cm 28.9in/73.5cm</p>	<p>4 x1</p>  <p>17.7in/45cm 28.9in/73.5cm</p>
<p>5 x1</p>  <p>4.1in/10.5cm 17.7in/45cm</p>	<p>6 x1</p>  <p>100: 26.2in/66.6cm 120: 34.1in/86.6cm 140: 41.9in/106.6cm</p>
<p>7 x1</p>  <p>100: 26.2in/66.6cm 120: 34.1in/86.6cm 140: 41.9in/106.6cm</p>	<p>8 x2</p>  <p>10in/25.4cm</p>

Accessories list

9 x2



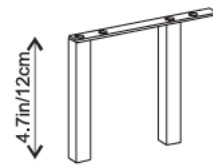
10 x4



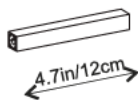
11 x4



12 x2



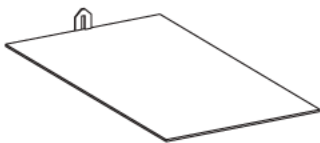
13 x1



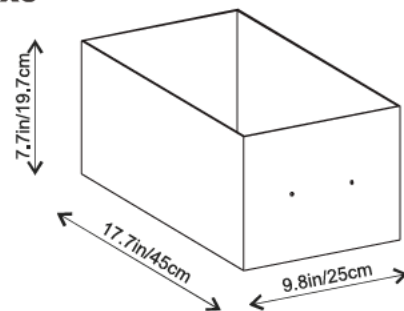
14 x1



15 x3

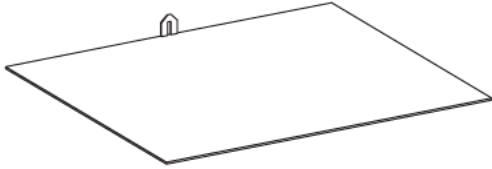


16 x3

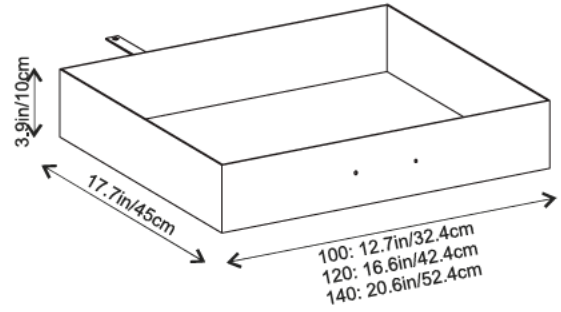


Accessories list




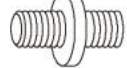


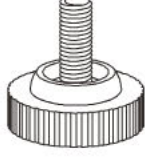
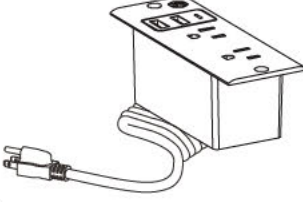

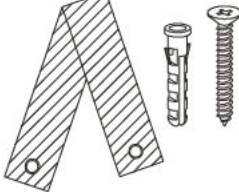
17 x2



18 x2

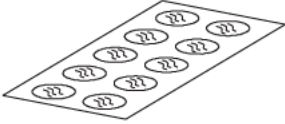


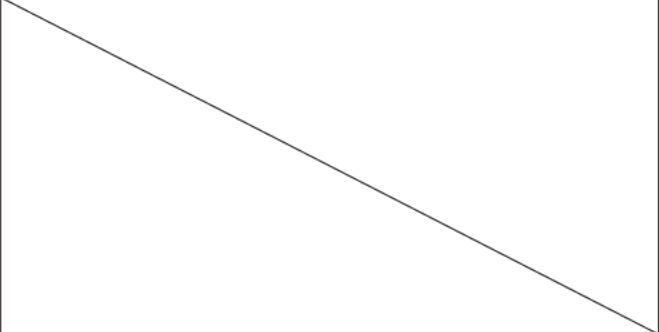


Accessories list

<p>A x23+3</p>  <p>SC01-M628BK/WZ M6×28mm</p>	<p>B x27+3</p>  <p>SC012-M610BK/WZ M6×10mm</p>
<p>C x10+1</p>  <p>SC012-M48BK/WZ M4×8mm</p>	<p>D x1+1</p>  <p>SC013-M617BK M6×17mm</p>
<p>E x5</p>  <p>HD01-1301221BK/WH 130×27mm</p>	<p>F x2+1</p>  <p>SC04-M412BK/WZ M4×12mm</p>
<p>G x6</p>  <p>AF01-D3013-M620BK Ø30×H13×M6×L15mm</p>	<p>H x1</p>  <p>WL-BK-2AC2U1C WL-WT-2AC2U1C 2AC+2USB+1Type C</p>
<p>I x1</p>  <p>JS-IC-100-USB JS-IC-70-USB SC04-M428BK/WZ LED-1000mm LED-700mm M4×28mm</p>	<p>J x2</p>  <p>TOR01-THREE1</p>

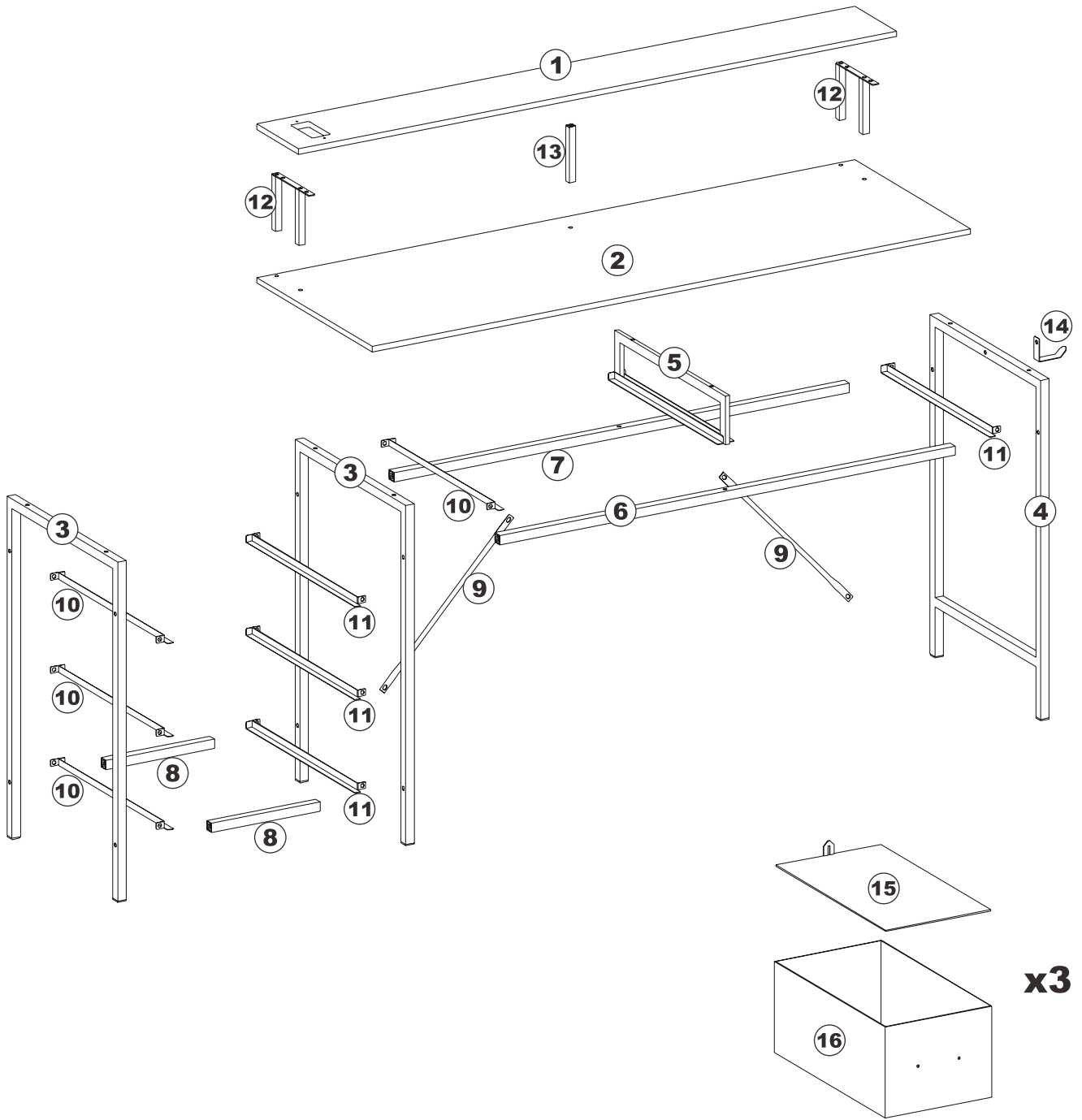
★ In many cases, we include additional hardware. So after following the assembly instructions, don't worry if there are still extra pieces left over—they're included as a "just in case" for your convenience.

Accessories list

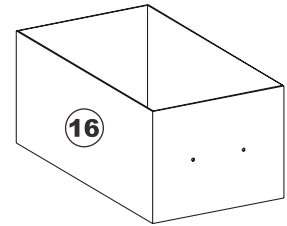
<p>K x1</p>  <p>Screw Hole Stickers</p>	<p>L x1</p>  <p>SCD01-D575BK 75mm</p>
<p>M x1</p>  <p>HW01-M580WZ M4</p>	

★ In many cases, we include additional hardware. So after following the assembly instructions, don't worry if there are still extra pieces left over—they're included as a "just in case" for your convenience.

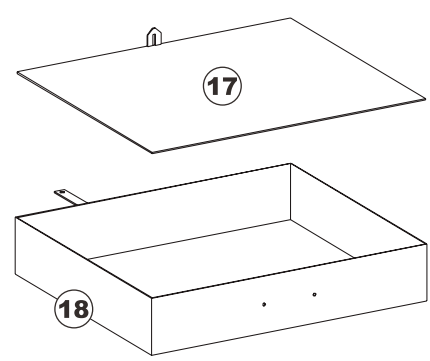
EXPLODED A



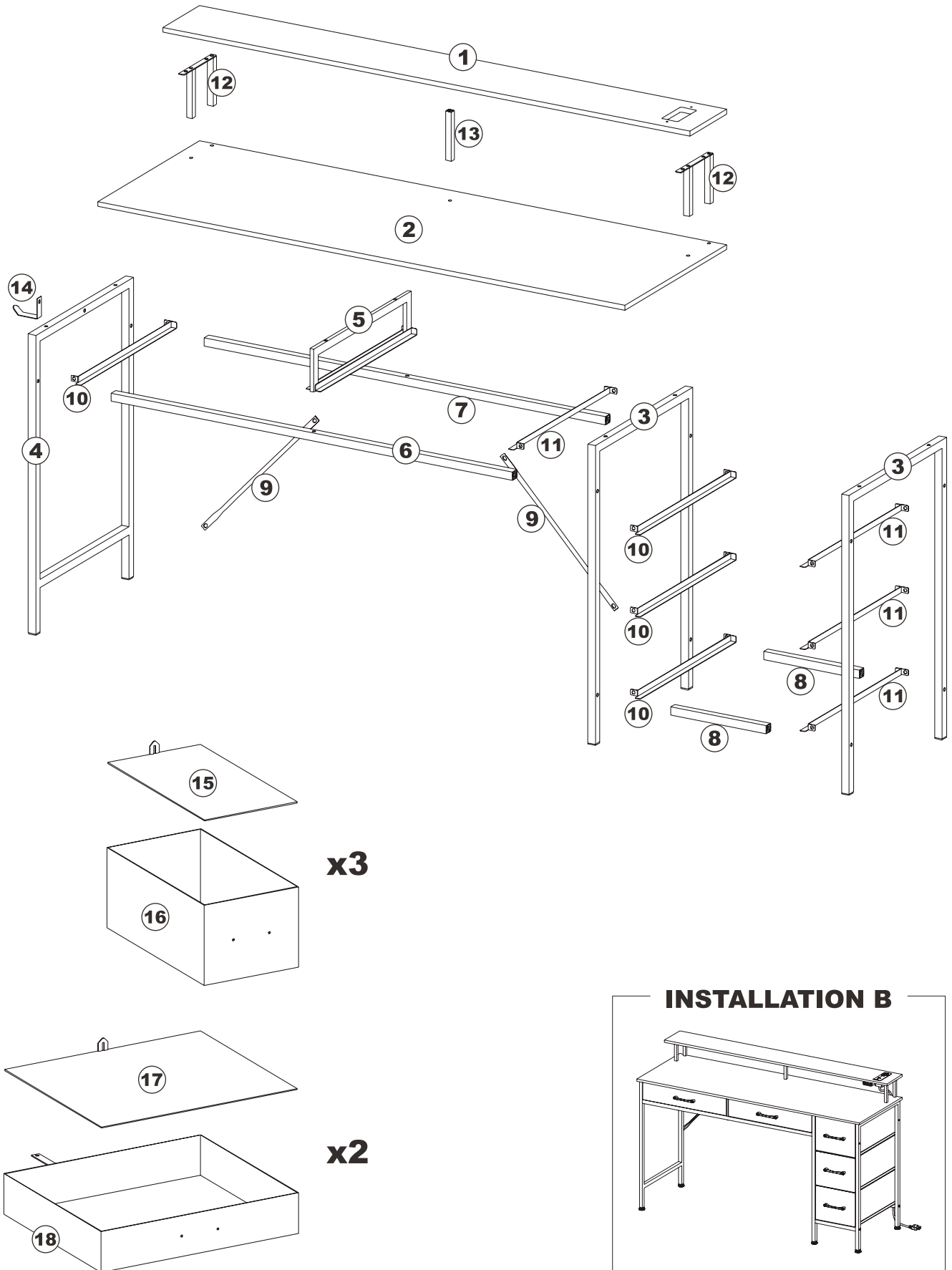
x3



x2

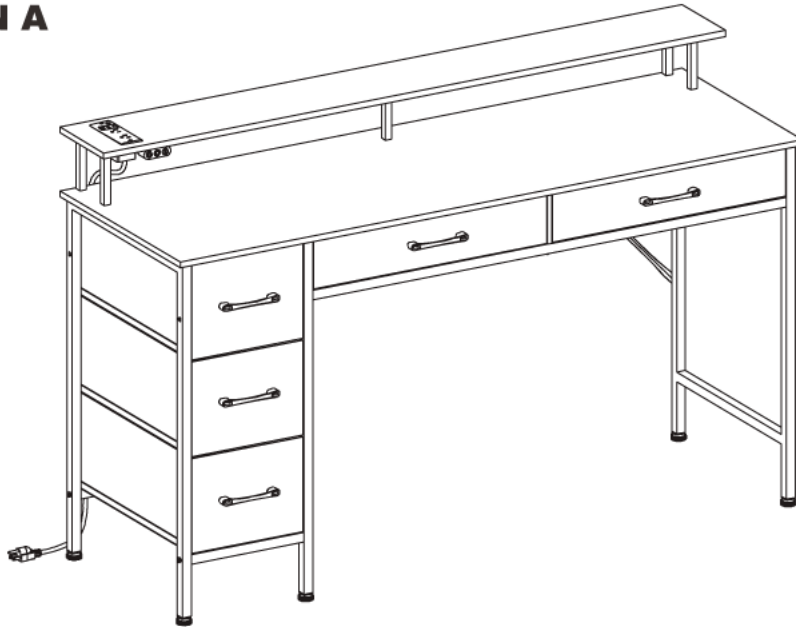


EXPLODED B



There are **TWO** assembly methods.
Please assemble according to your need.

INSTALLATION A



For the assembly steps of INSTALLATION A, please refer to **STEP 1** to **STEP 26**.

INSTALLATION B



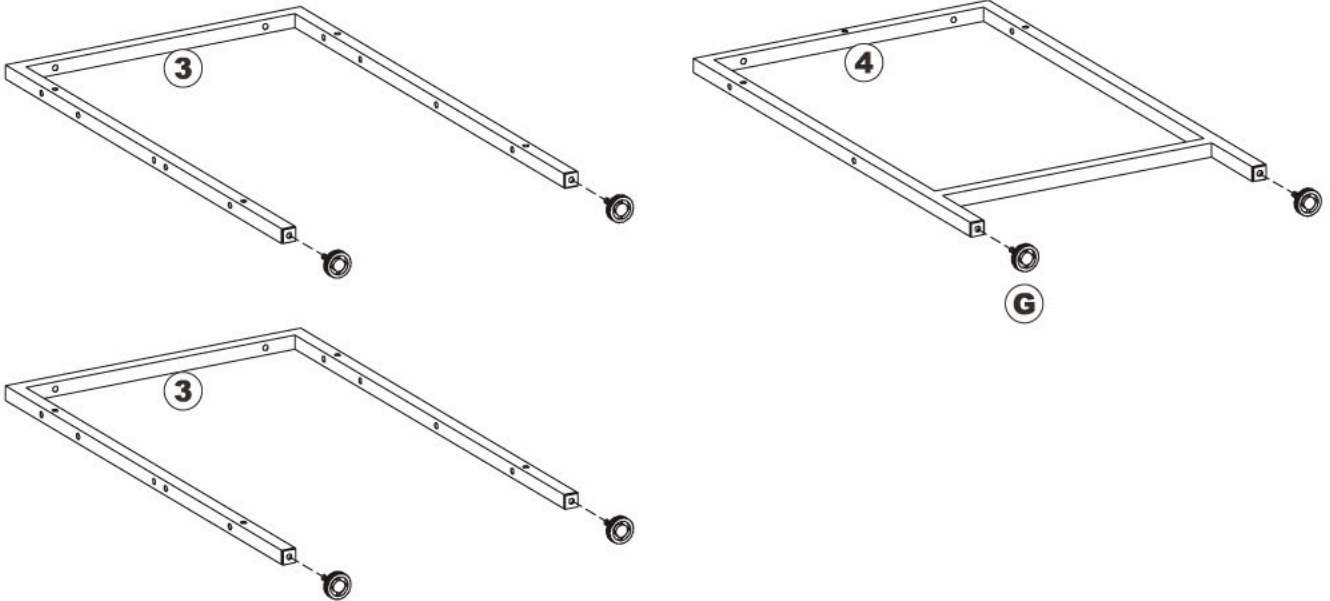
For the assembly steps of INSTALLATION B, please refer to **STEP 27** to **STEP 52**.

INSTALLATION INSTRUCTIONS

For the assembly steps of **INSTALLATION A**, please refer to **STEP 1** to **STEP 26**.




STEP 1(A)

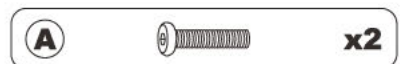
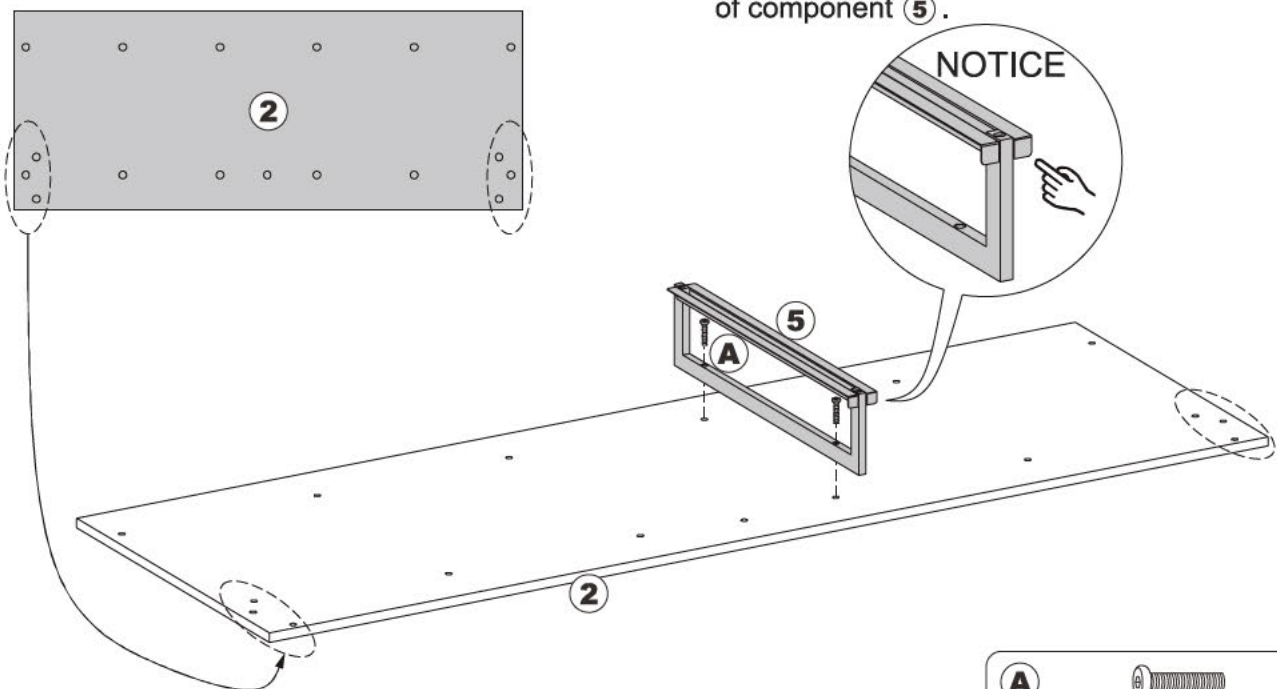


STEP 2(A)




 Do not fully tighten the screws yet.

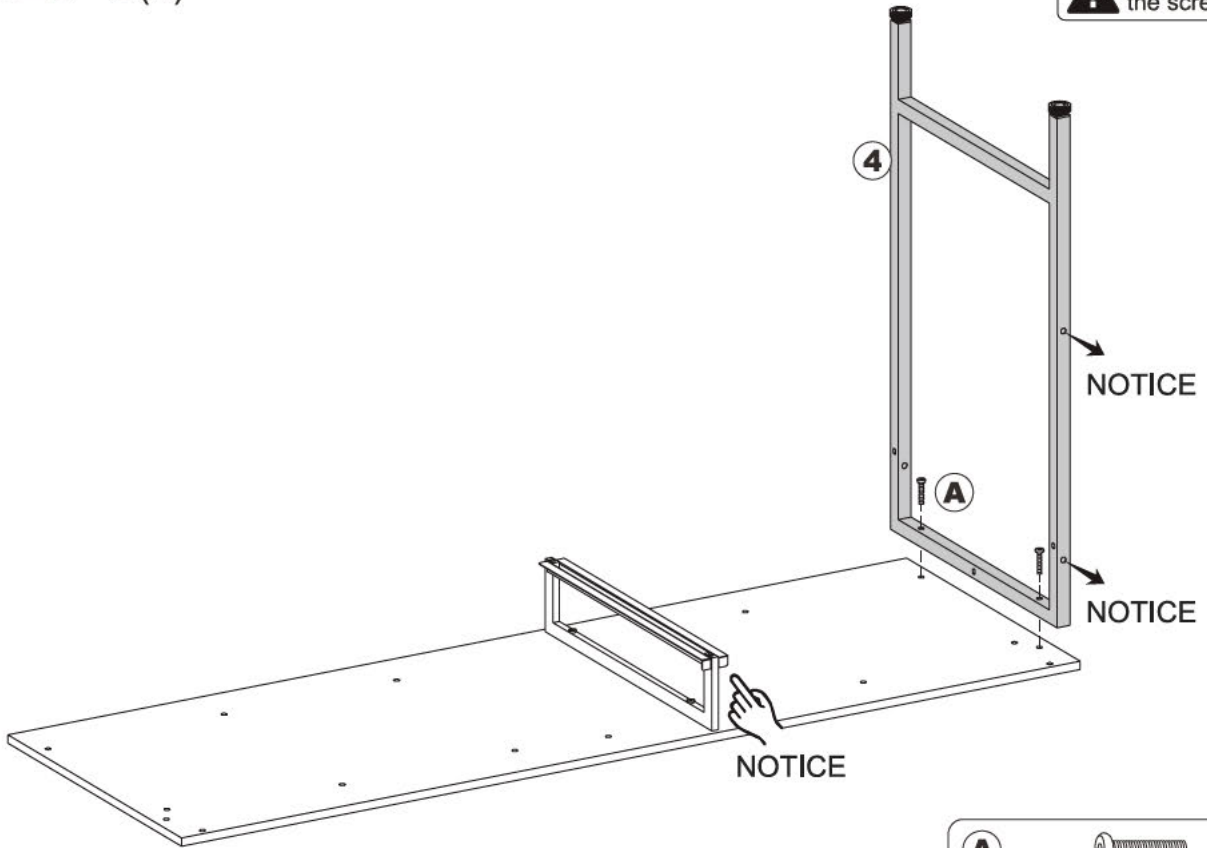
Please confirm the direction of component **5**.



INSTALLATION INSTRUCTIONS


STEP 3(A)

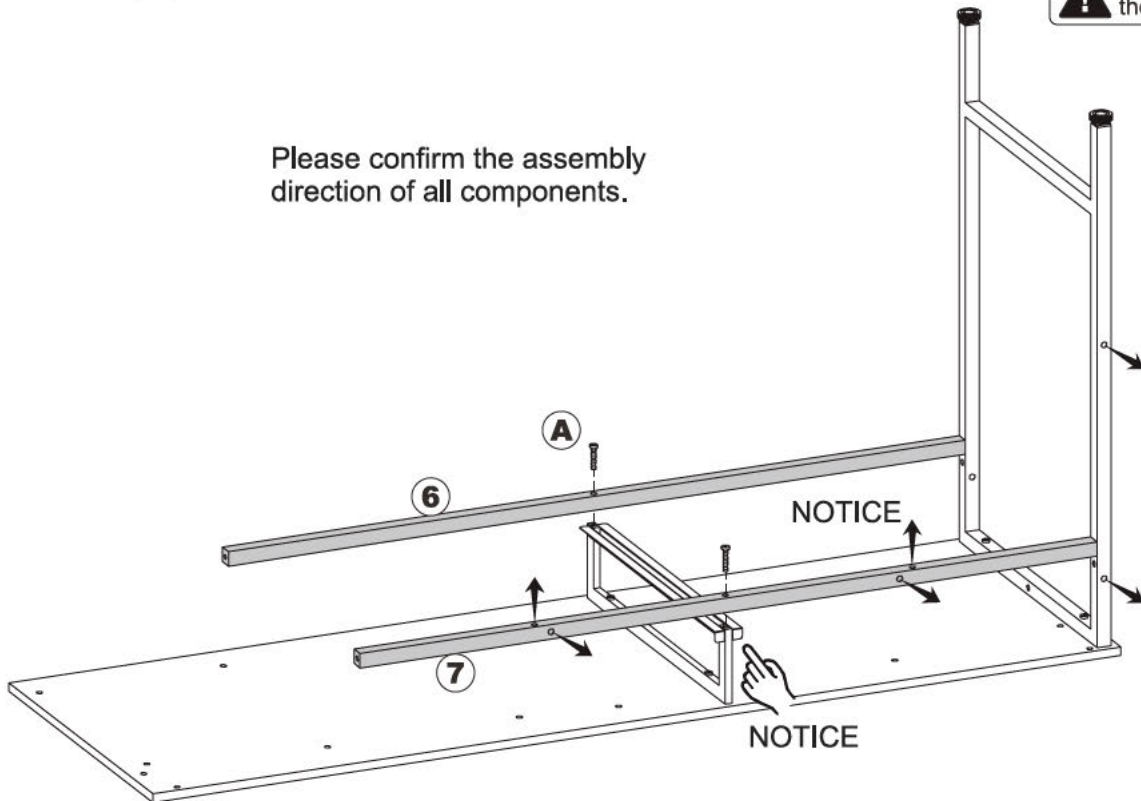
 Do not fully tighten the screws yet.



STEP 4(A)

Please confirm the assembly direction of all components.

 Do not fully tighten the screws yet.




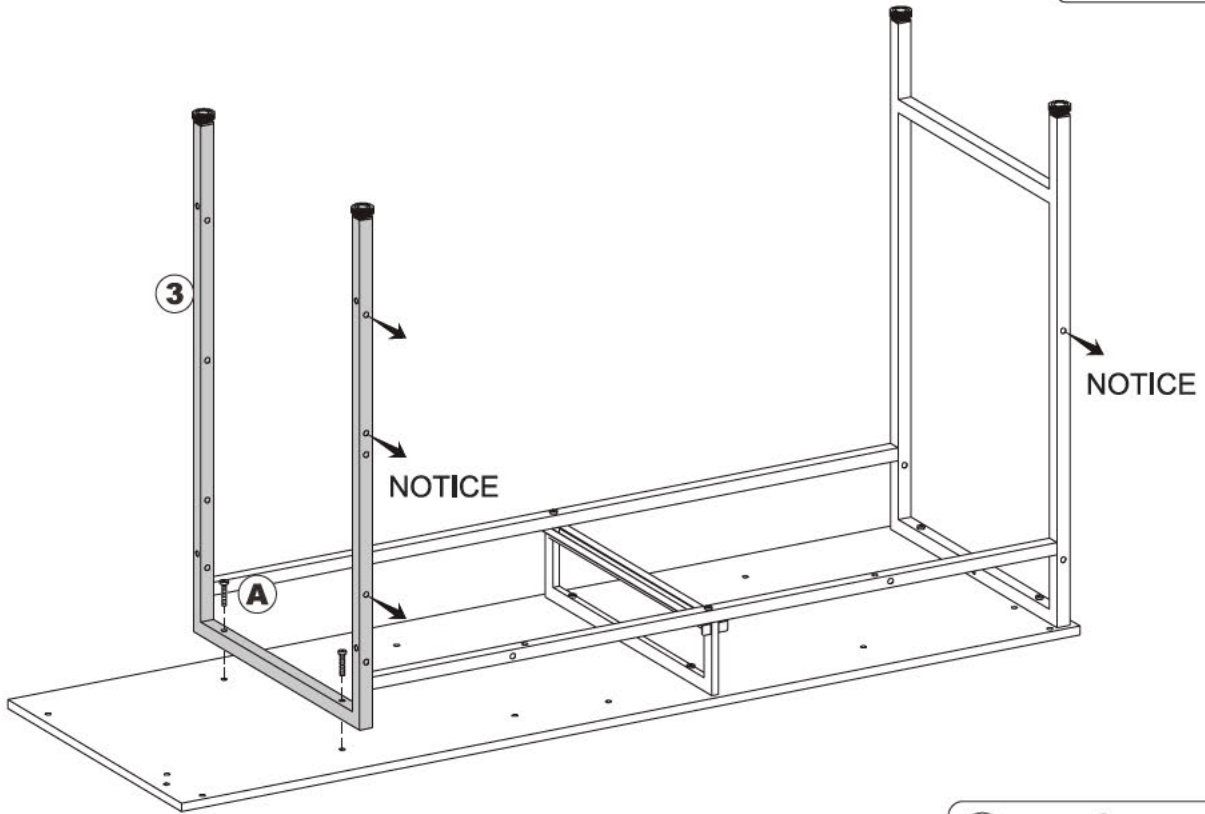
 **x2**

 **x2**


INSTALLATION INSTRUCTIONS

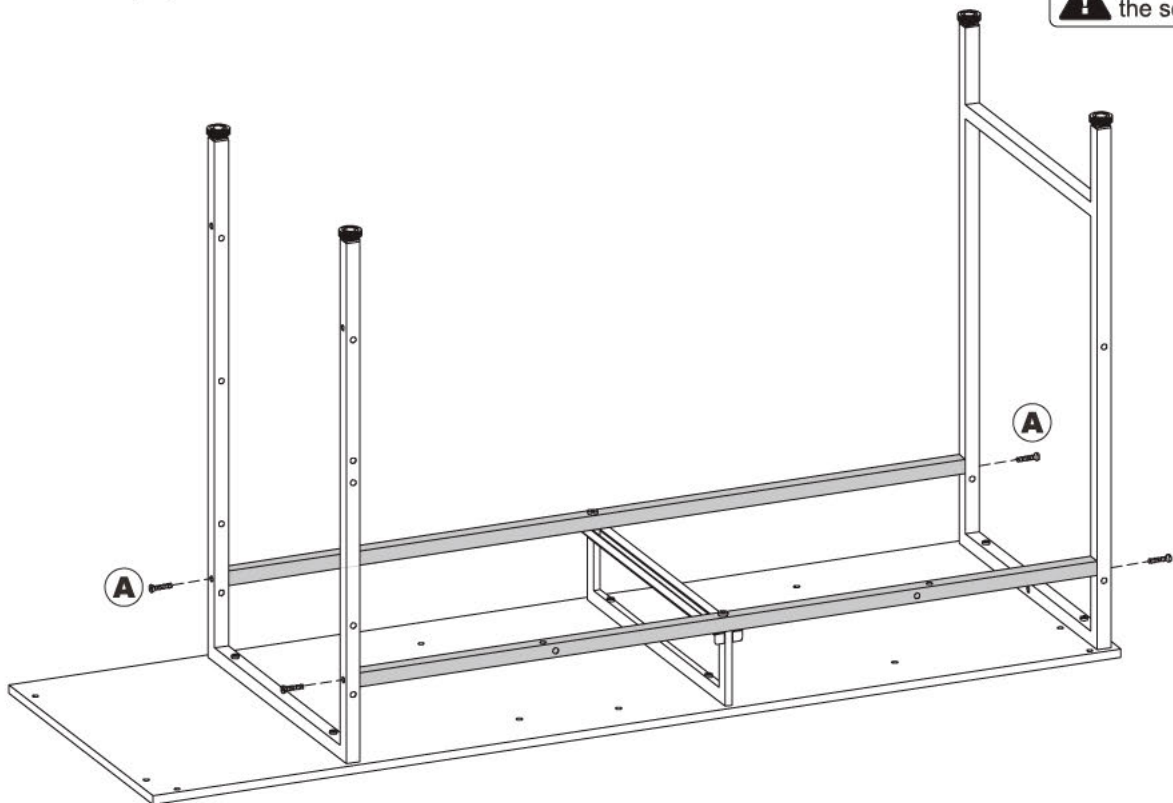
STEP 5(A)

 Do not fully tighten the screws yet.



STEP 6(A)


 Do not fully tighten the screws yet.

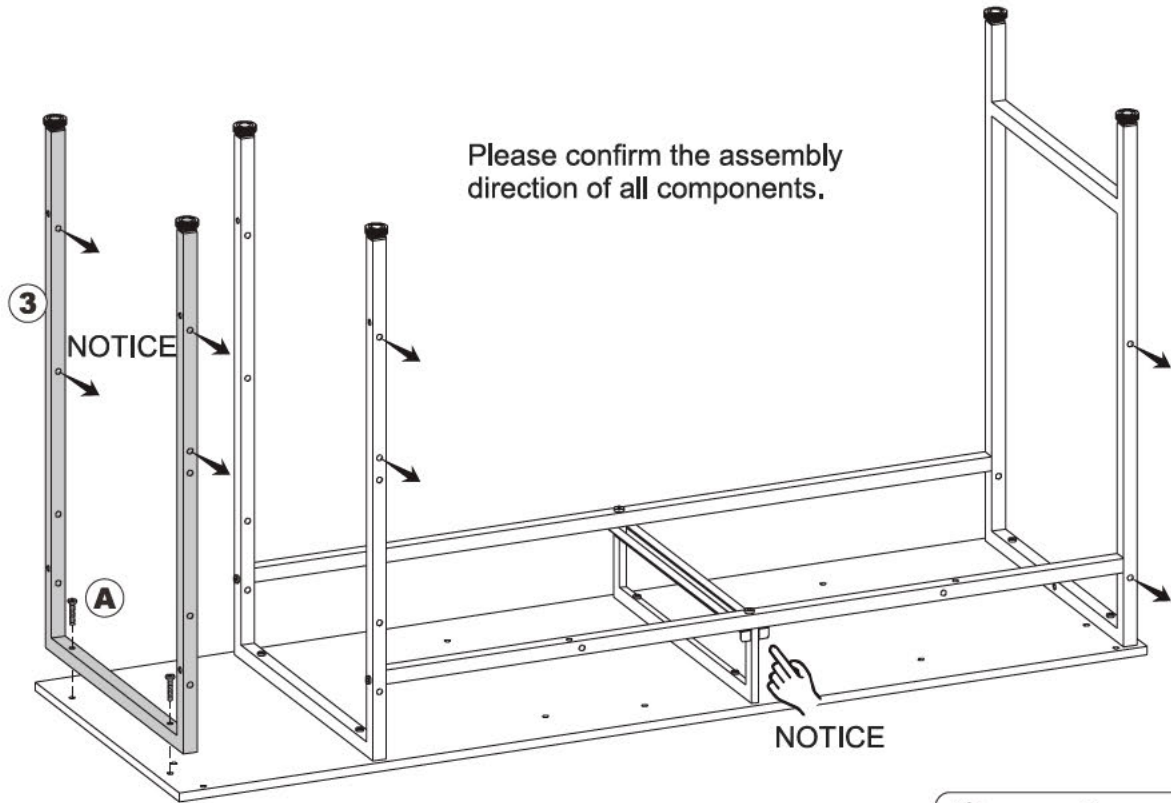


 **x2**

 **x4**


STEP 7(A)

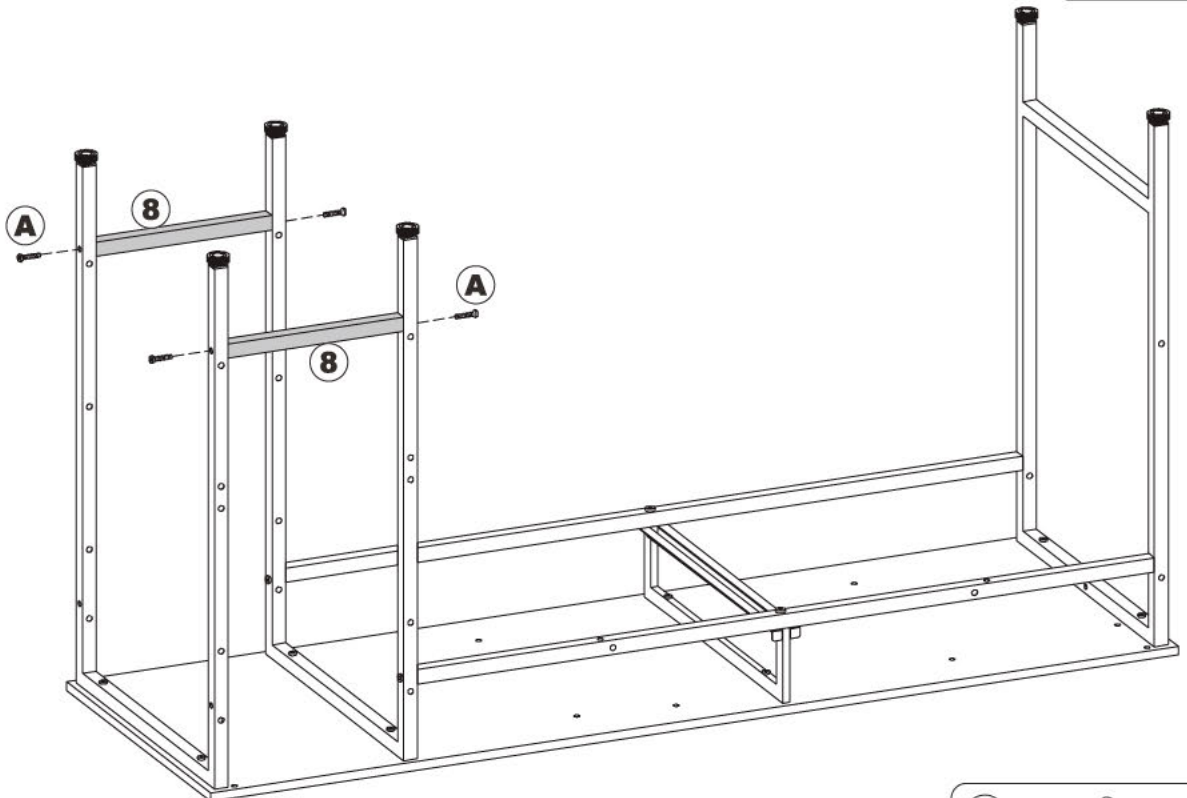
 Do not fully tighten the screws yet.



 **x2**

STEP 8(A)


 Do not fully tighten the screws yet.

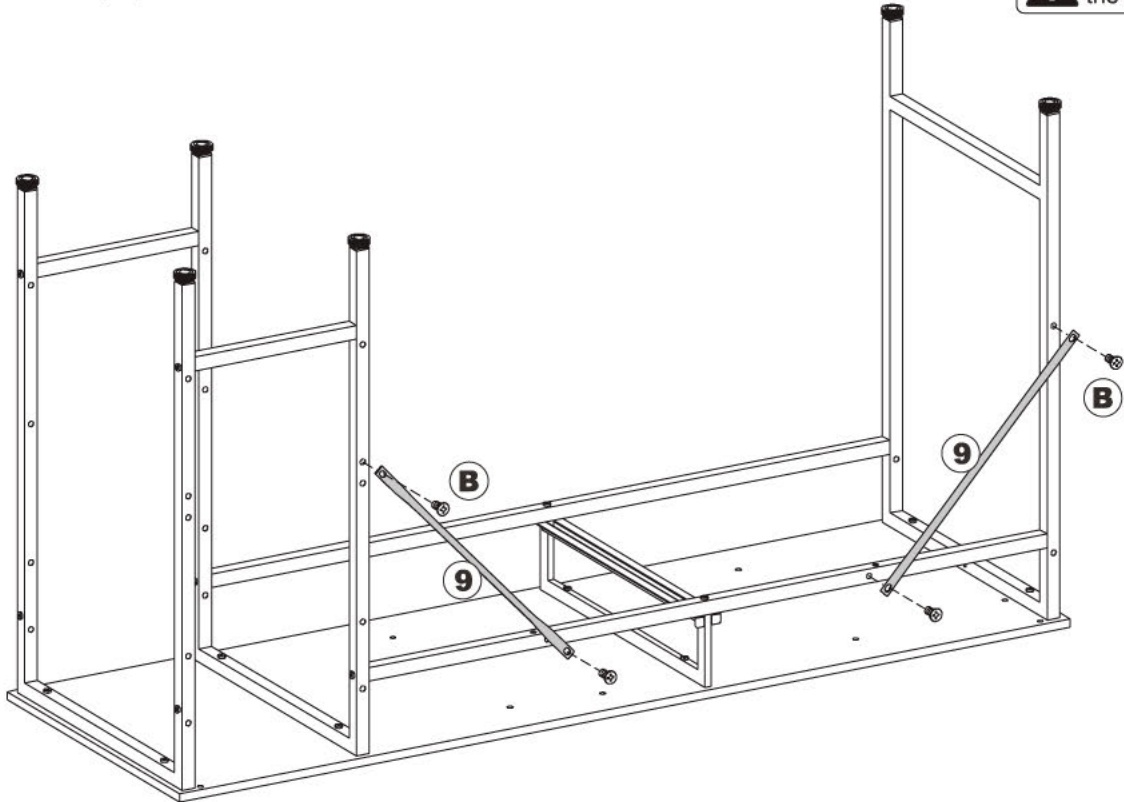


 **x4**

INSTALLATION INSTRUCTIONS


STEP 9(A)

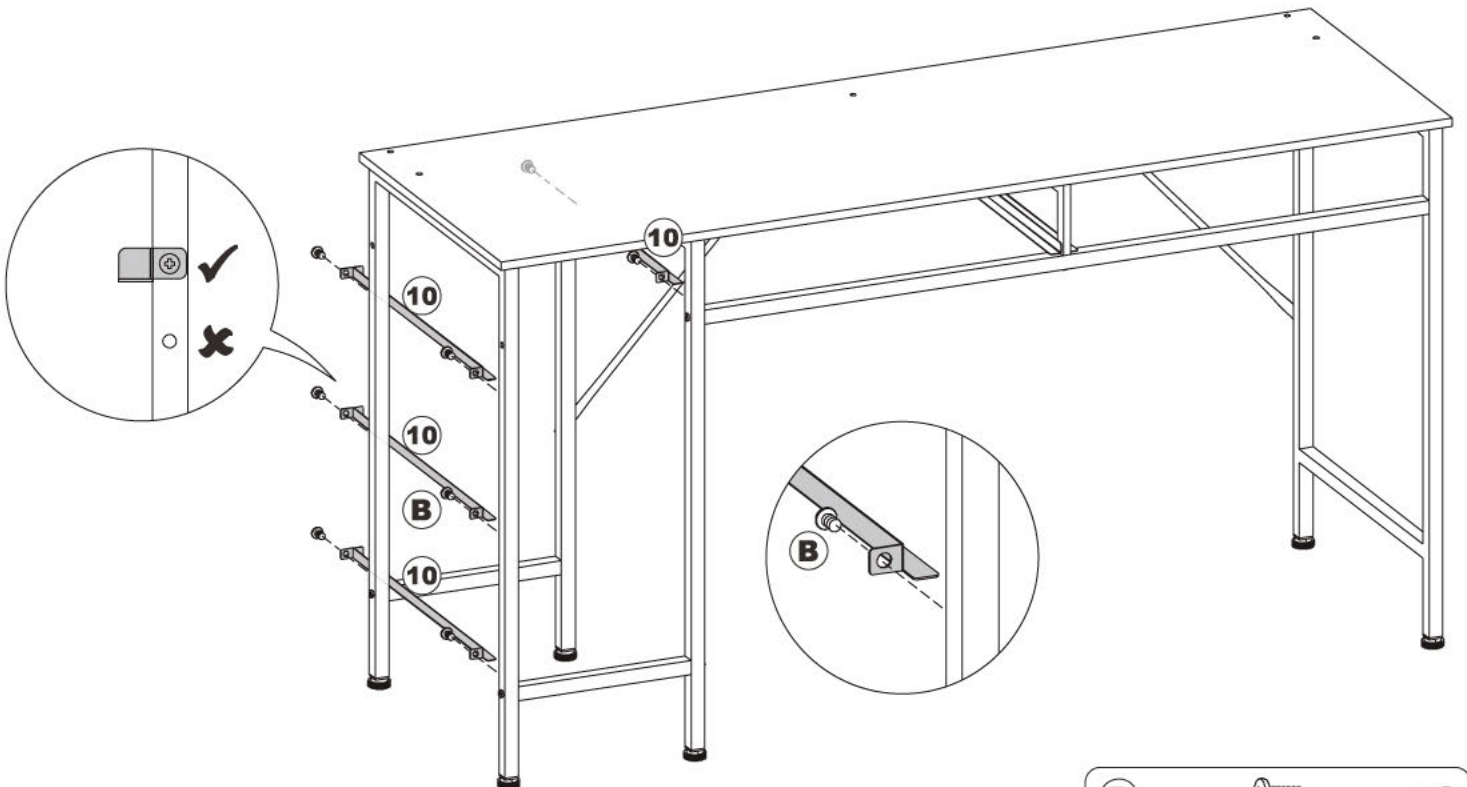
 Do not fully tighten the screws yet.



STEP 10(A)


B  **x4**

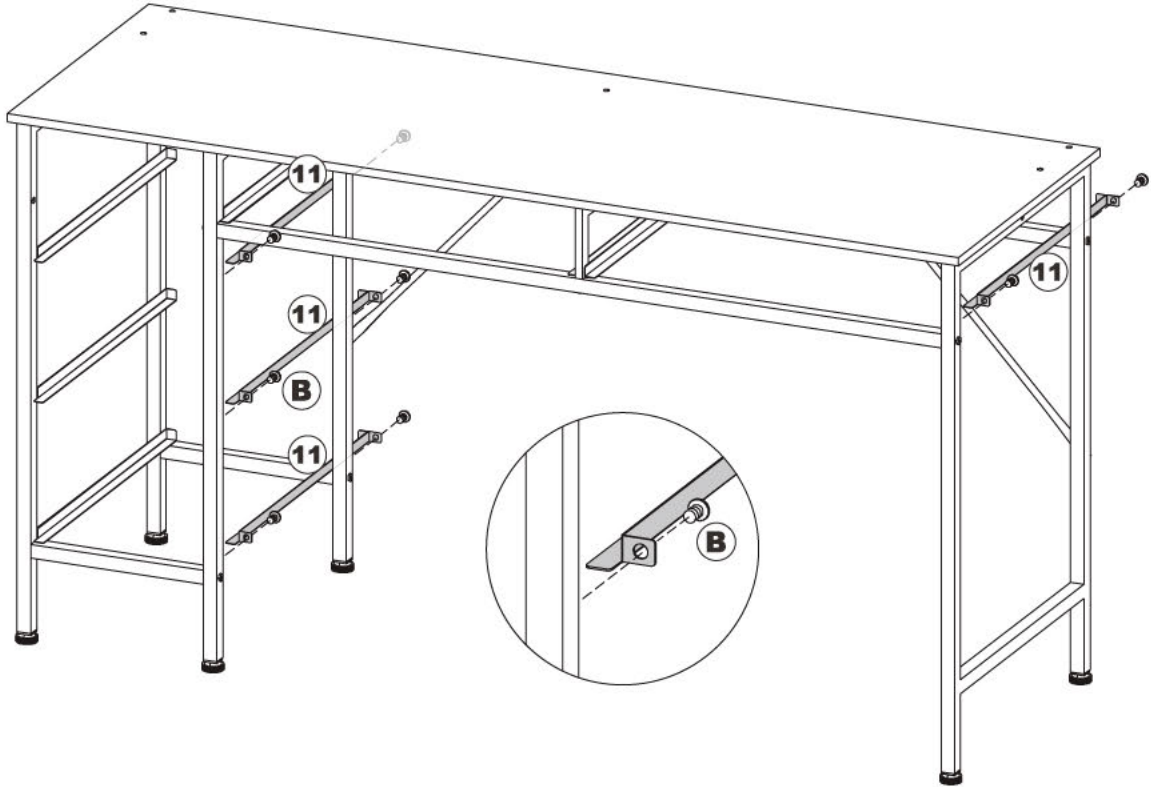
 Do not fully tighten the screws yet.



B  **x8**

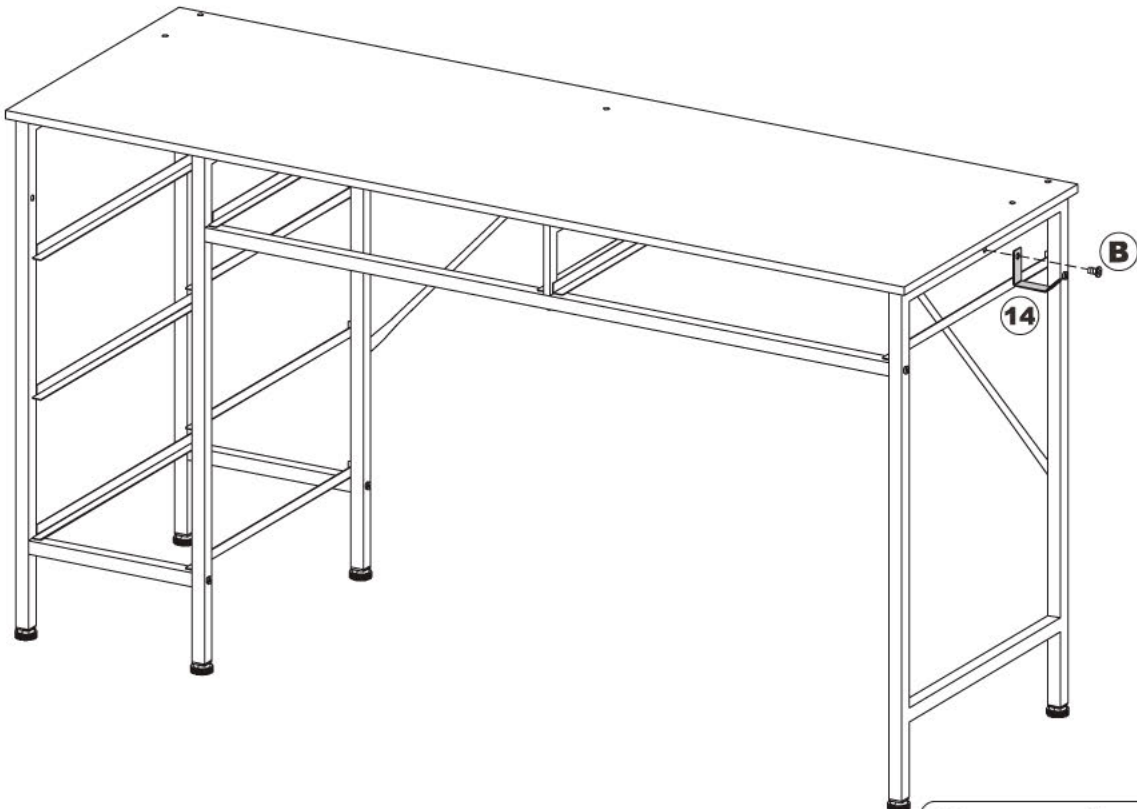
STEP 11(A)

 Do not fully tighten the screws yet.



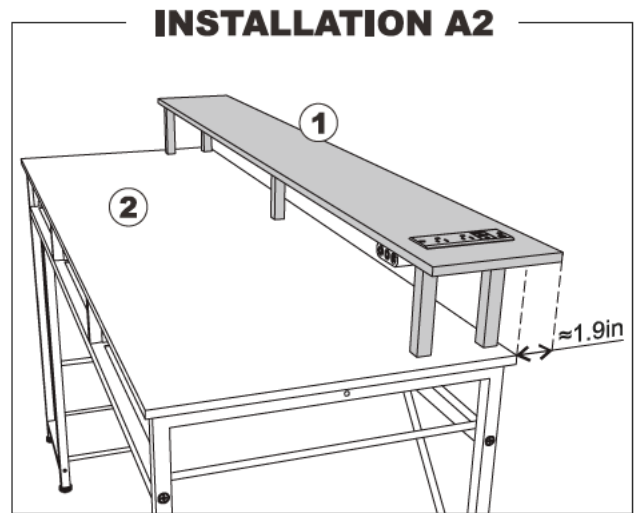
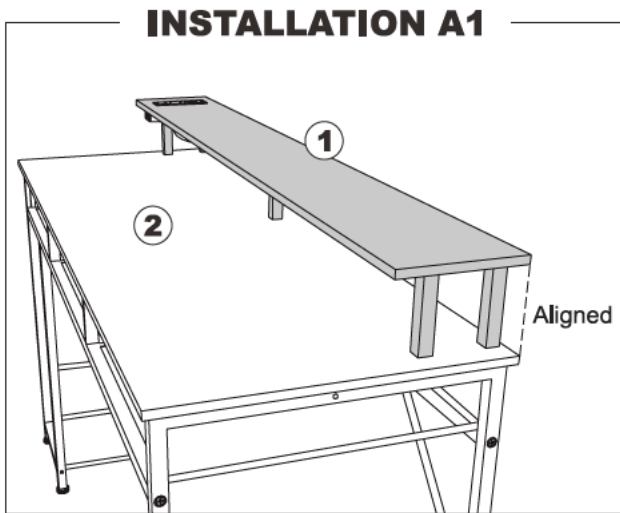
(B)  **x8**

STEP 12(A)



(B)  **x1**

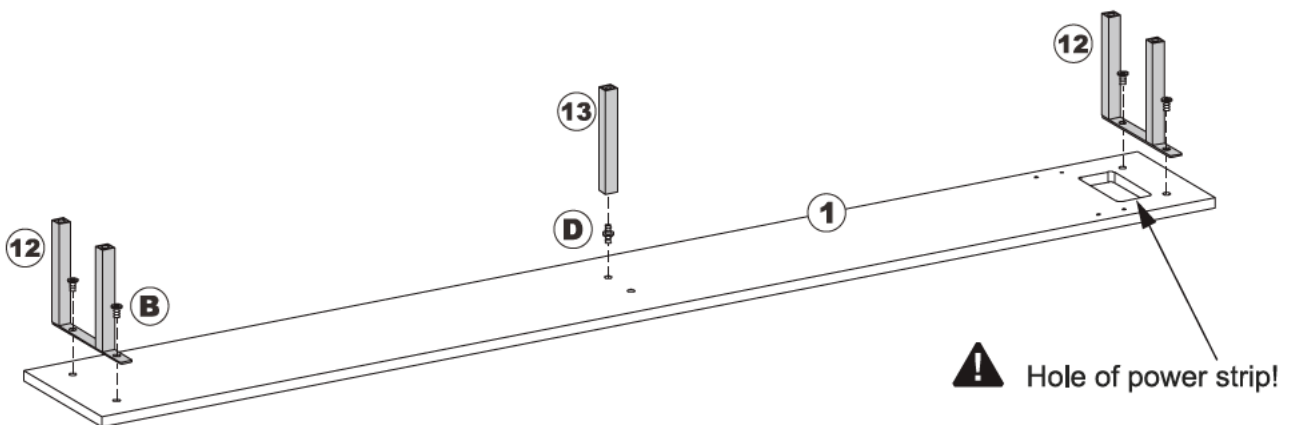
STEP 13(A)



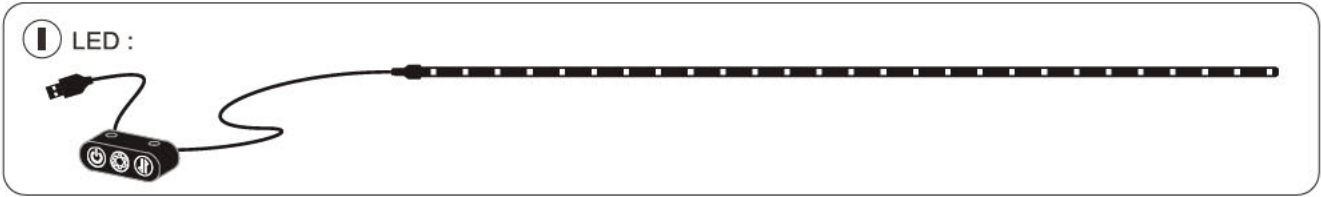
If you want the monitor stand ① to be flush with the desktop ②, please refer to step 14 - 17.

If you want the monitor rack ① to extend beyond the desktop ② for greater usage space, please refer to step 18 - 21.

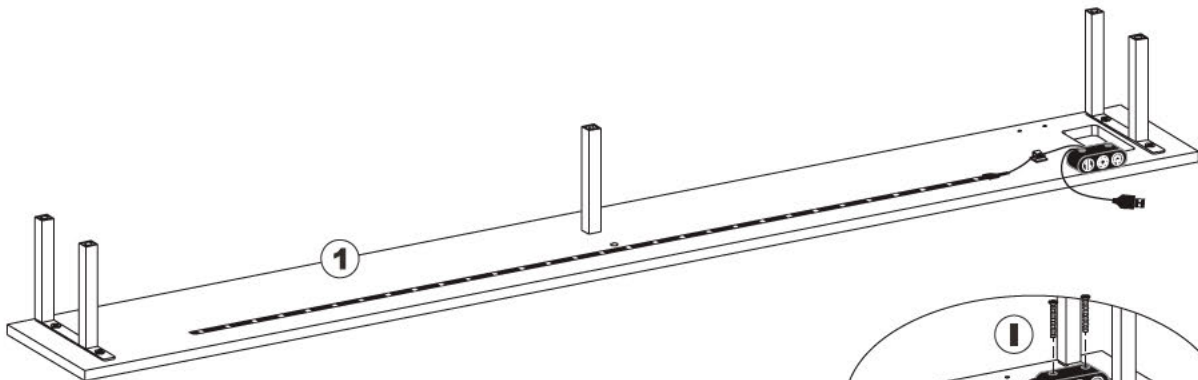
STEP 14(A1)



STEP 15(A1)

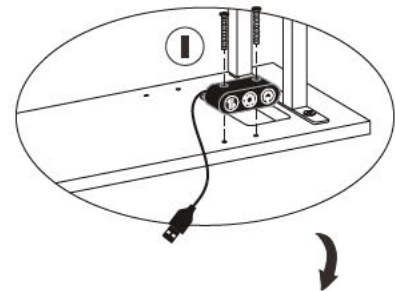


1. Please align the position to remove the red sticker behind the light strip carefully when installing, and then paste it to the product.
2. Please tear off the light strip slowly when changing the position to prevent breaking.
3. Note: Do not pull on the light strip forcefully to avoid breakage.

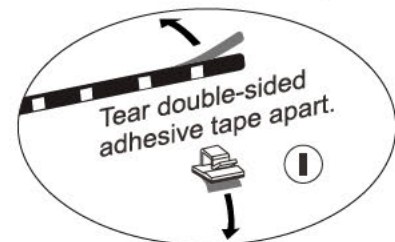


Please be sure to follow the steps to place the boards ① and install the LED light strip as shown in this step.

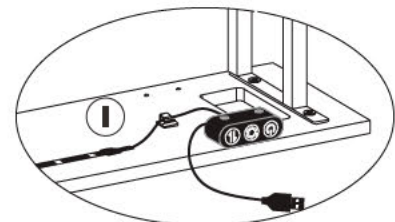
FIRST



SECOND

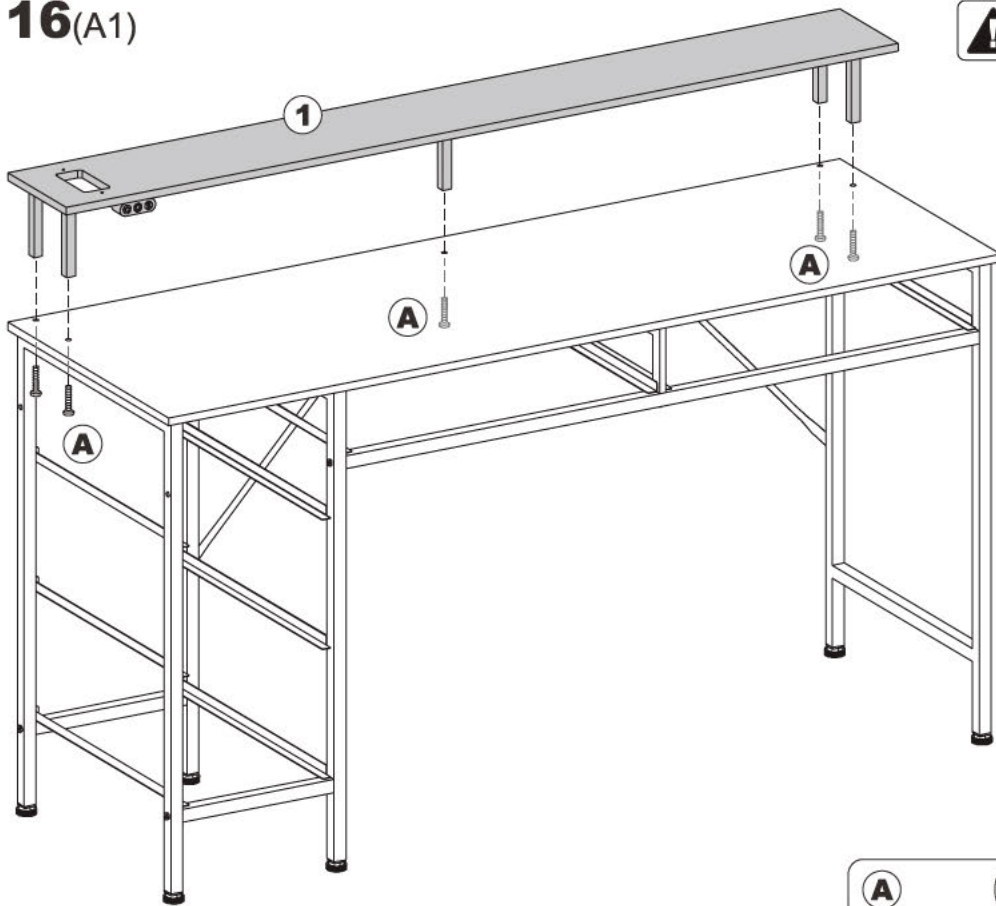


THIRD



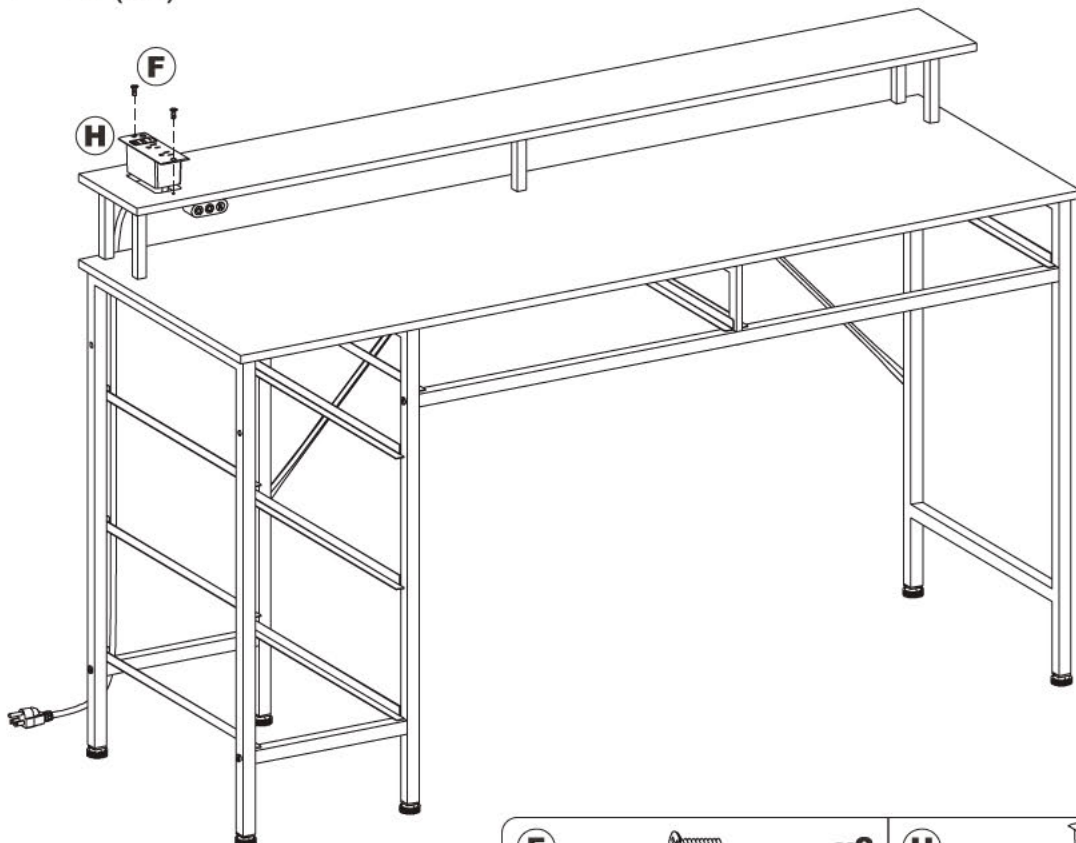
STEP 16(A1)

 Fully tighten all the screws.



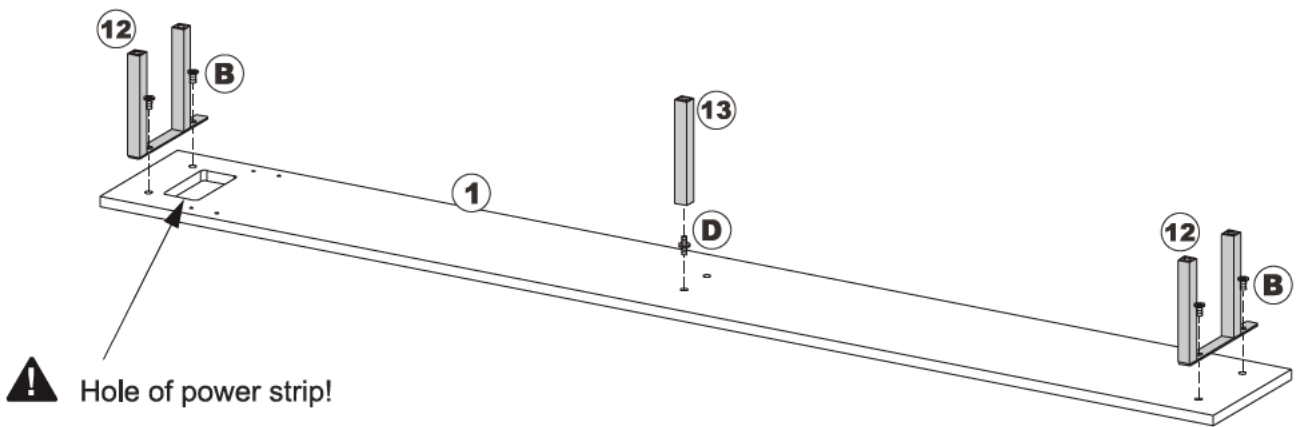
A  **x5**

STEP 17(A1)



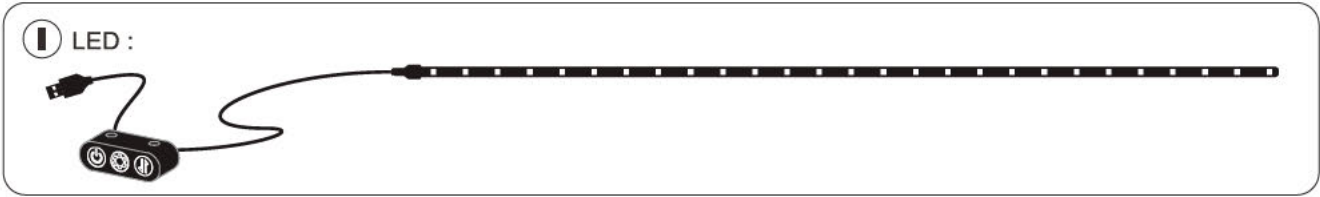
F  **x2** **H**  **x1**

STEP 18_(A2)

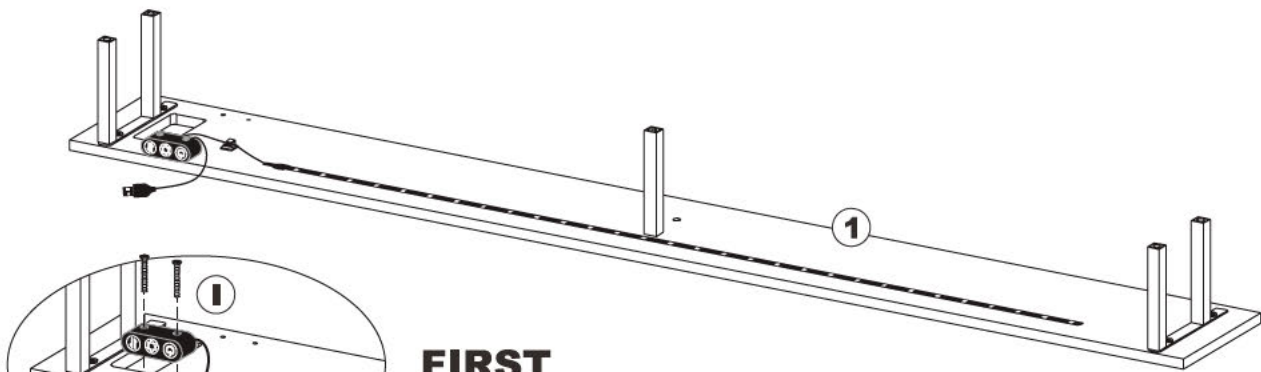


B		x4	D		x1
----------	---	-----------	----------	---	-----------

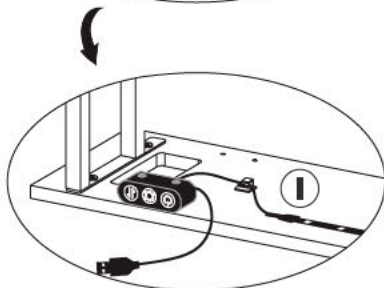
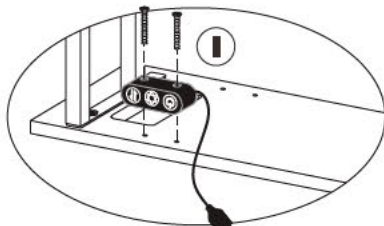
STEP 19(A2)



1. Please align the position to remove the red sticker behind the light strip carefully when installing, and then paste it to the product.
2. Please tear off the light strip slowly when changing the position to prevent breaking.
3. Note: Do not pull on the light strip forcefully to avoid breakage.



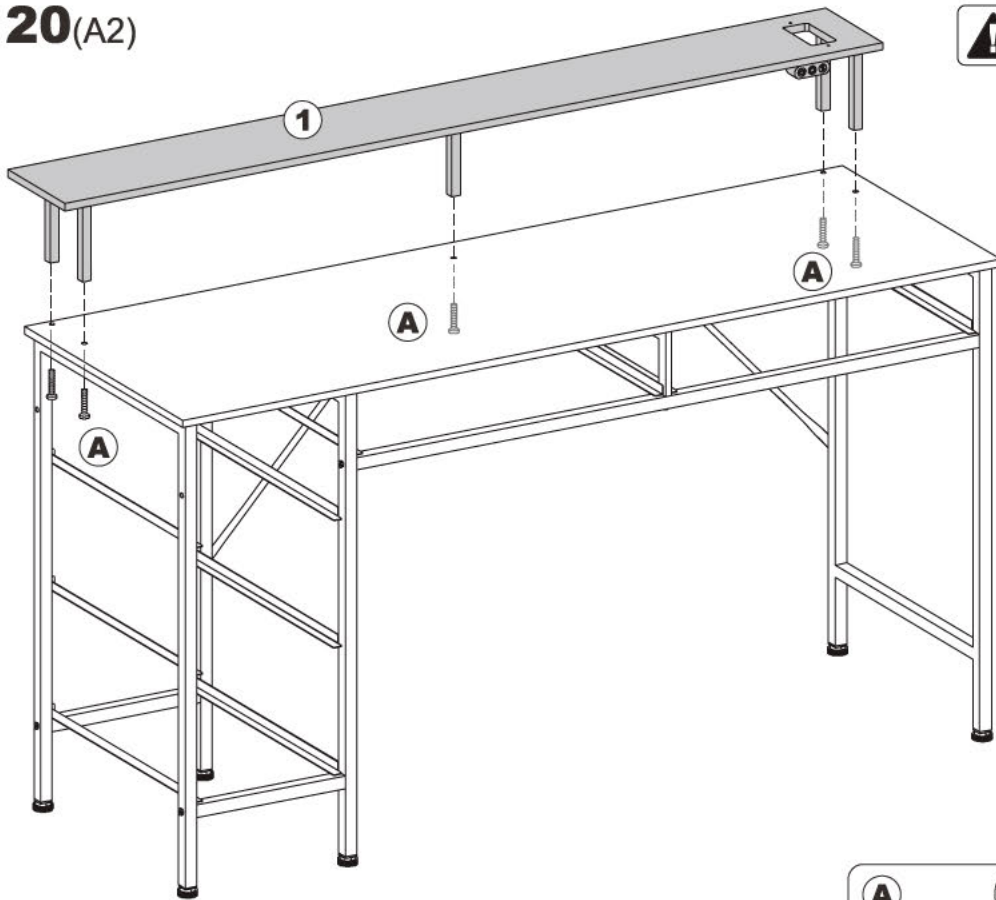
Please be sure to follow the steps to place the boards ① and install the LED light strip as shown in this step.



INSTALLATION INSTRUCTIONS

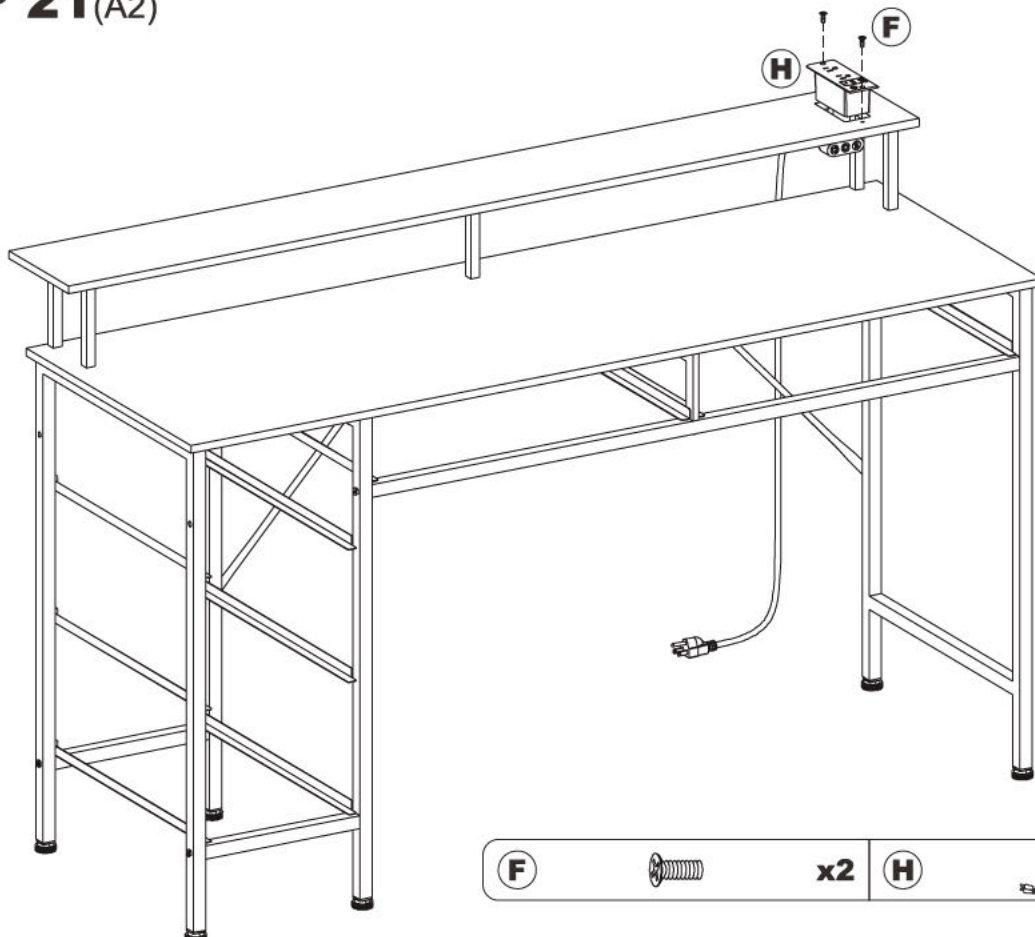
STEP 20(A2)

 Fully tighten all the screws.



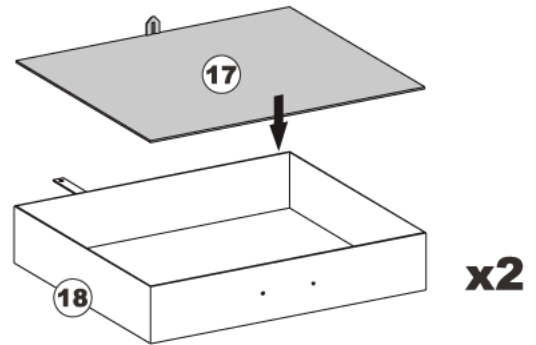
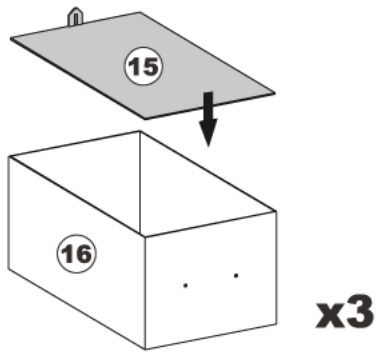
(A)  **x5**

STEP 21(A2)

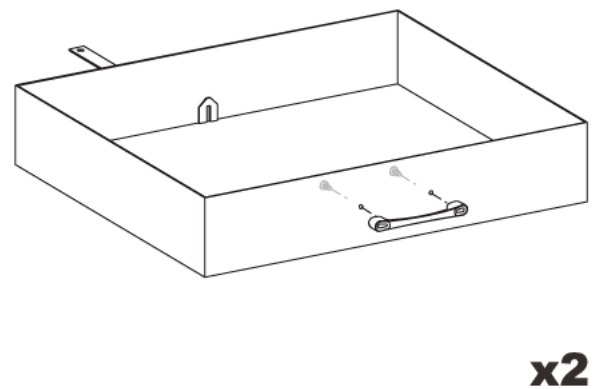
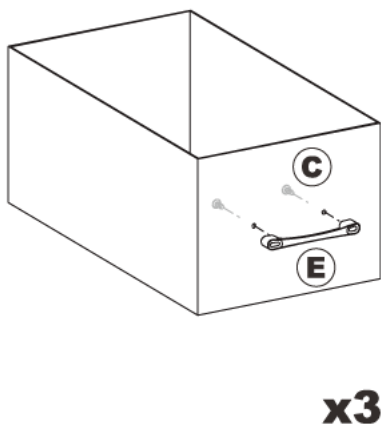


(F)  **x2** **(H)**  **x1**

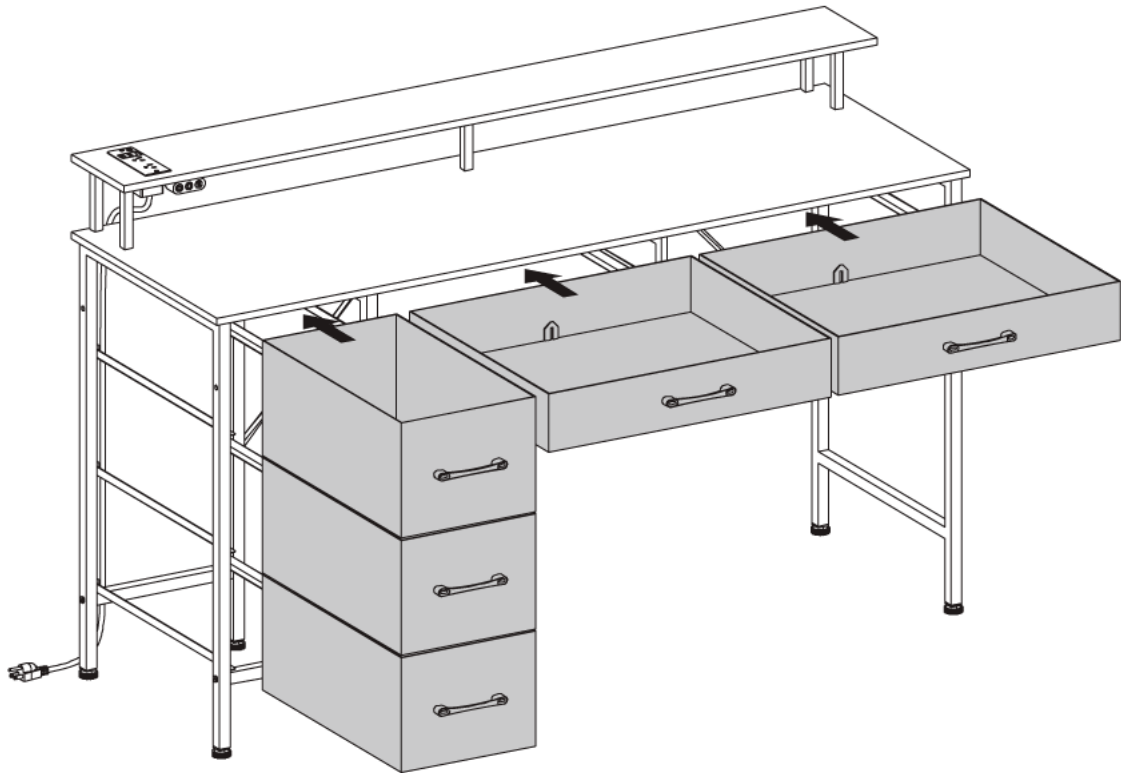
STEP 22(A)



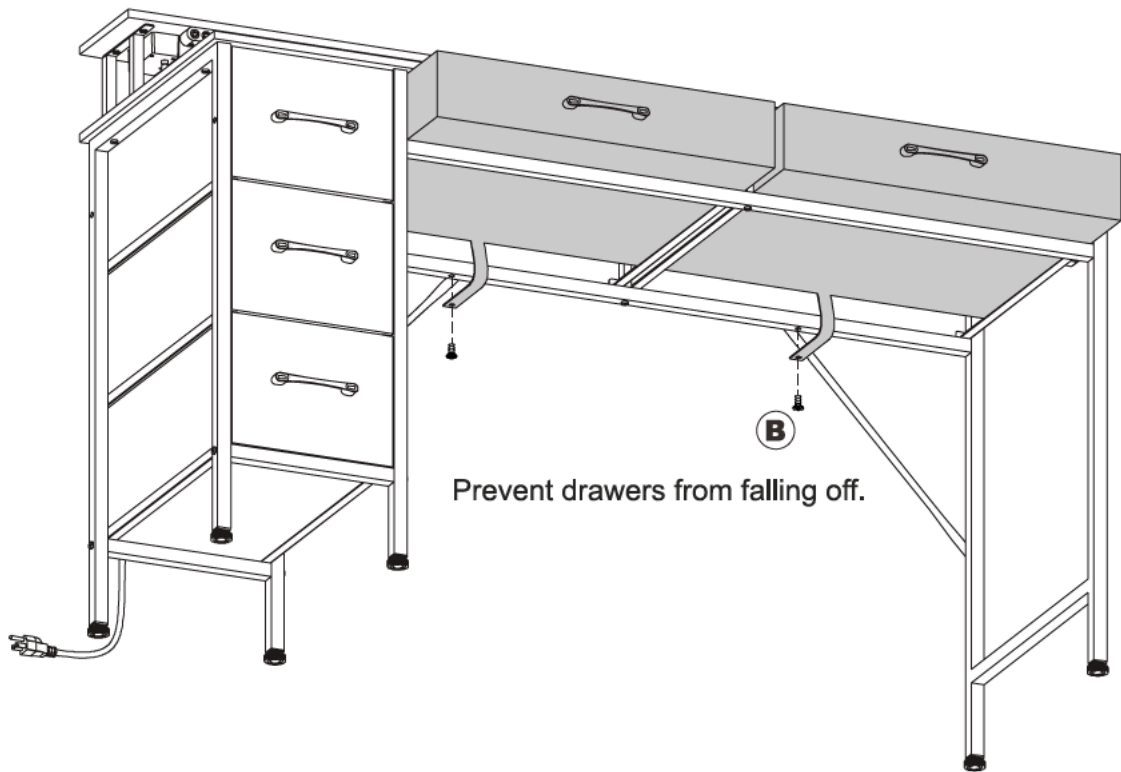
STEP 23(A)



STEP 24(A)




STEP 25(A)



Prevent drawers from falling off.



STEP 26(A)

 The function of **J** is to prevent the computer desk from tipping over.
Please install it as show.

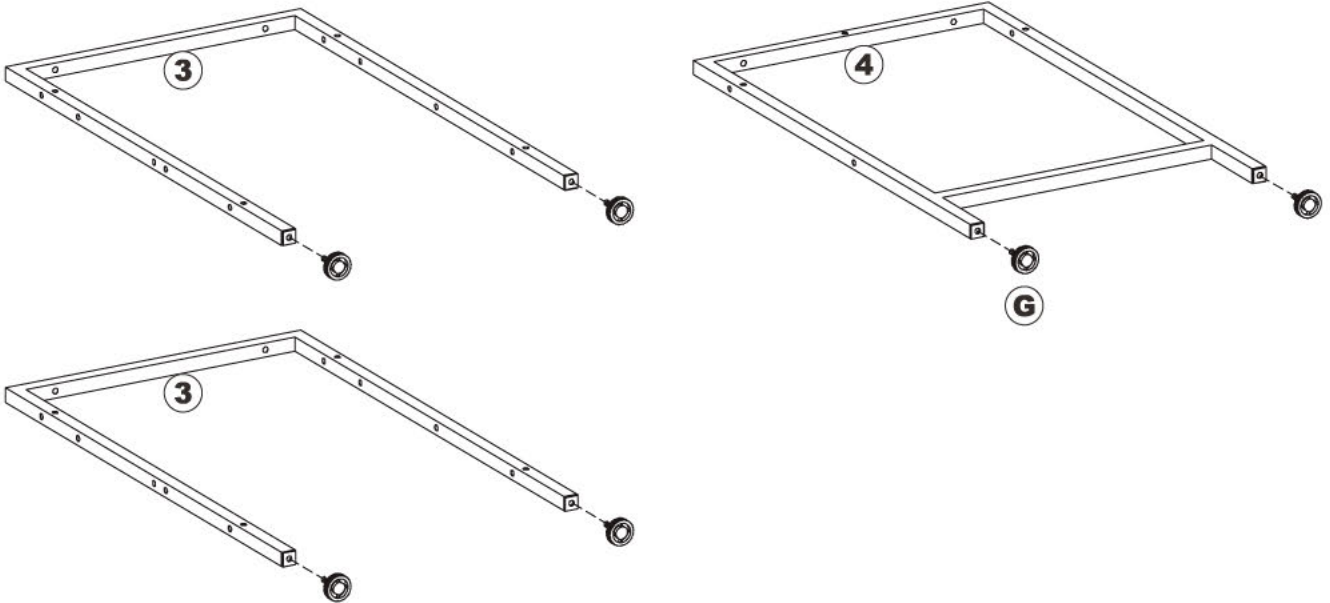


INSTALLATION INSTRUCTIONS

For the assembly steps of **INSTALLATION B**, please refer to **STEP 27** to **STEP 52**.




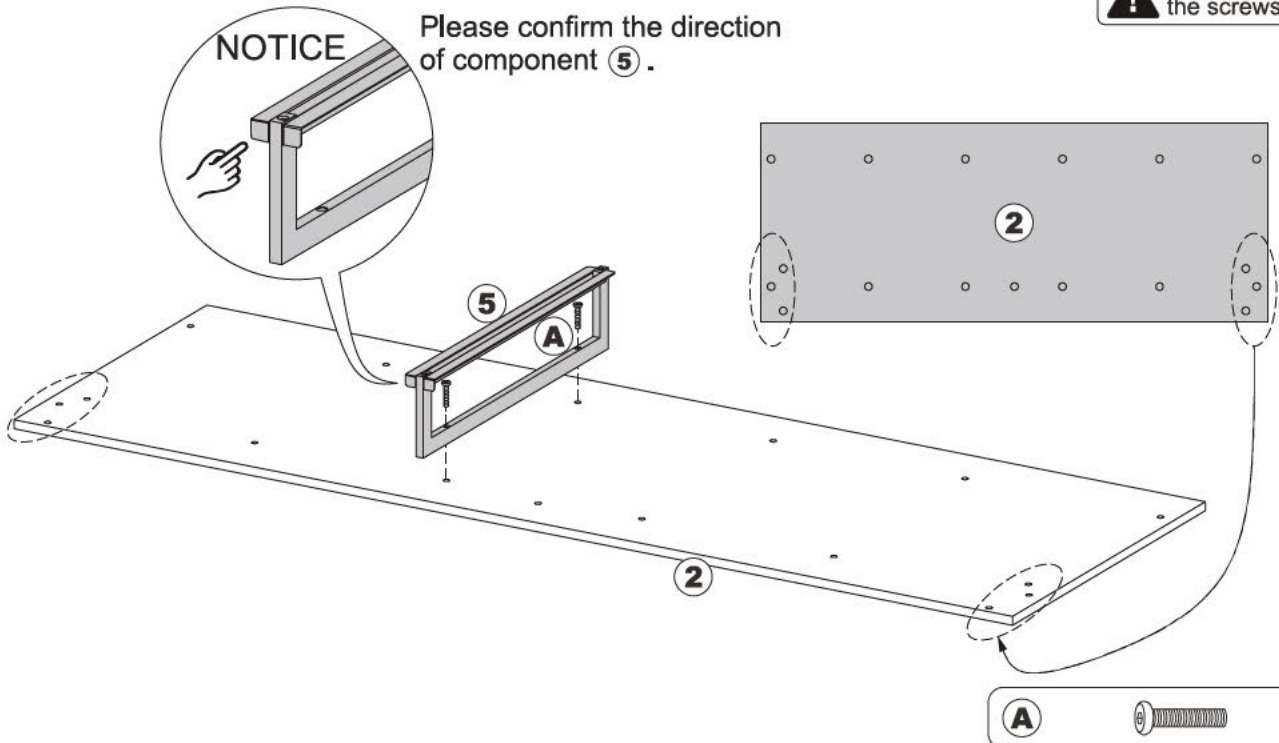
STEP 27(B)



STEP 28(B)




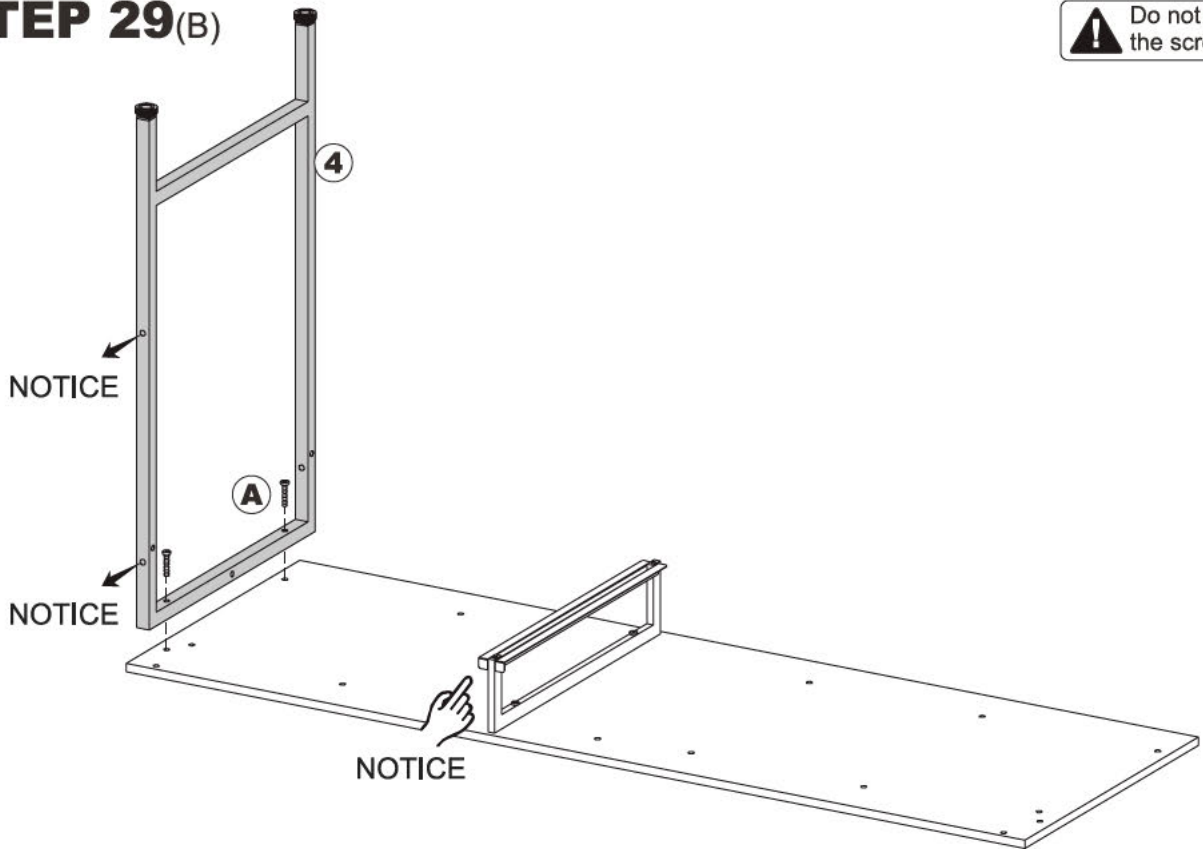
 Do not fully tighten the screws yet.



INSTALLATION INSTRUCTIONS


STEP 29(B)

 Do not fully tighten the screws yet.

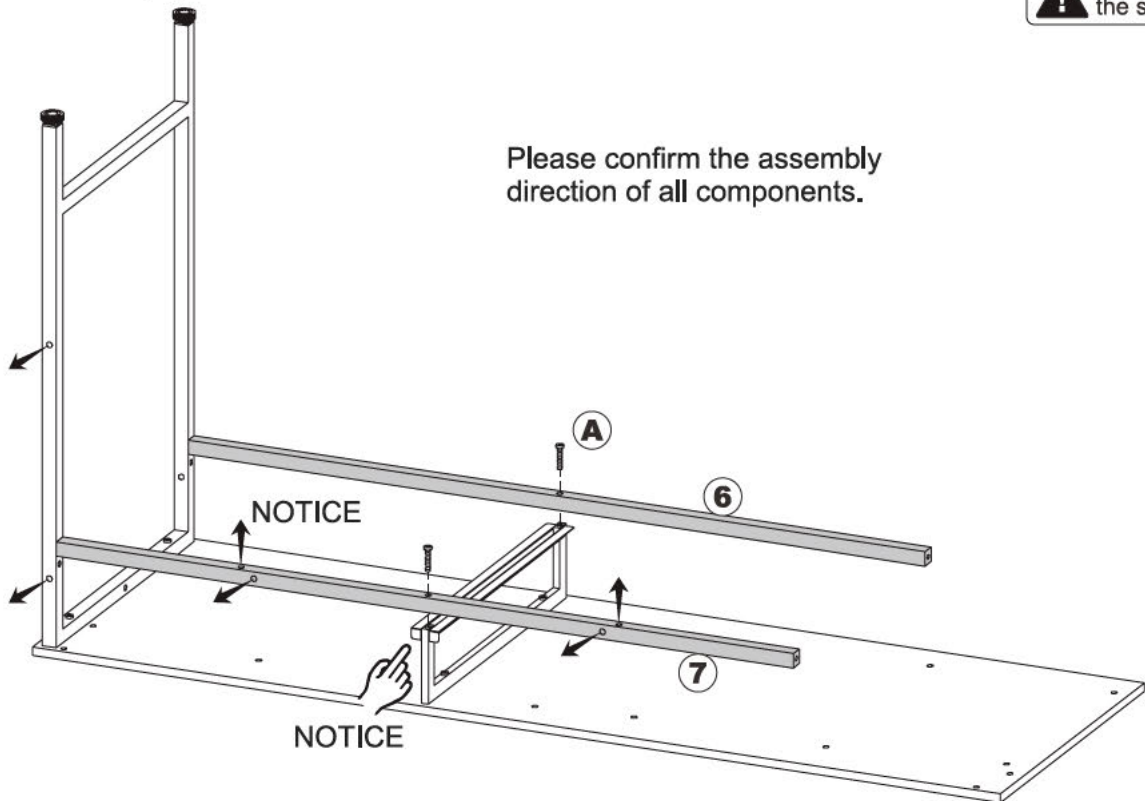


A  **x2**

STEP 30(B)

 Do not fully tighten the screws yet.


Please confirm the assembly direction of all components.

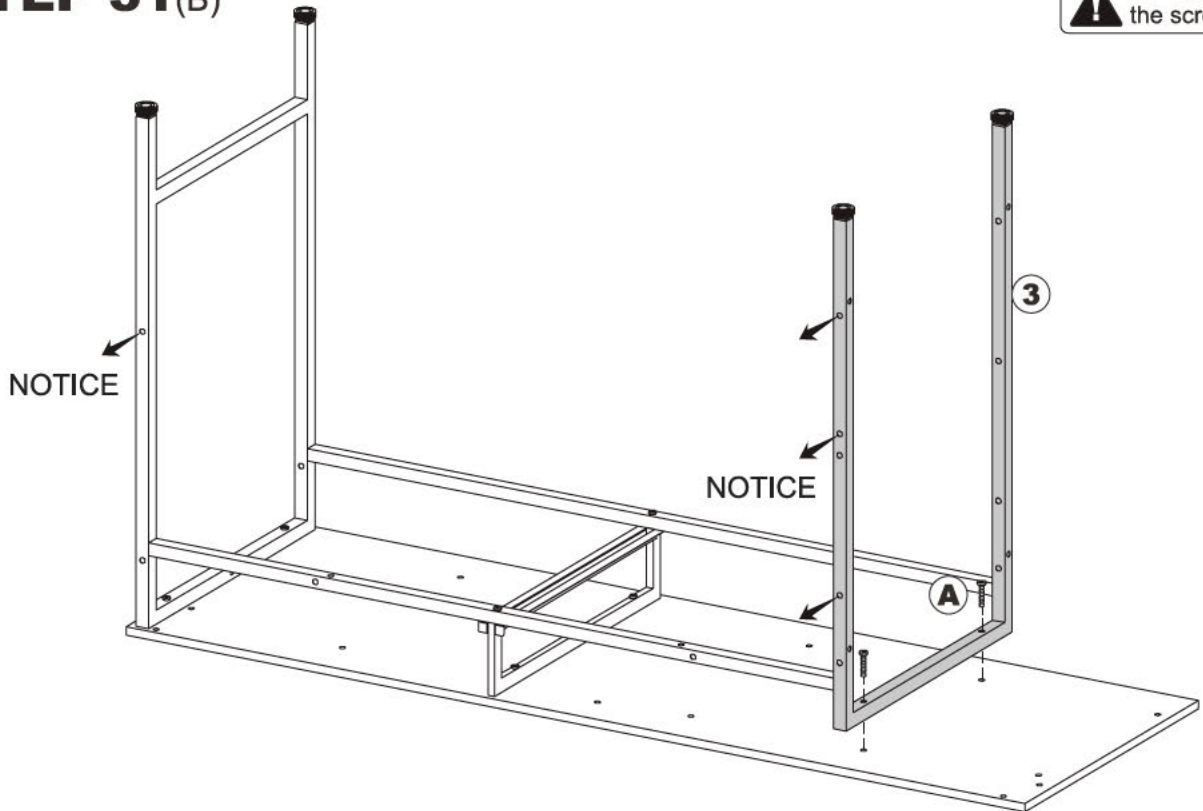


A  **x2**


INSTALLATION INSTRUCTIONS

STEP 31(B)

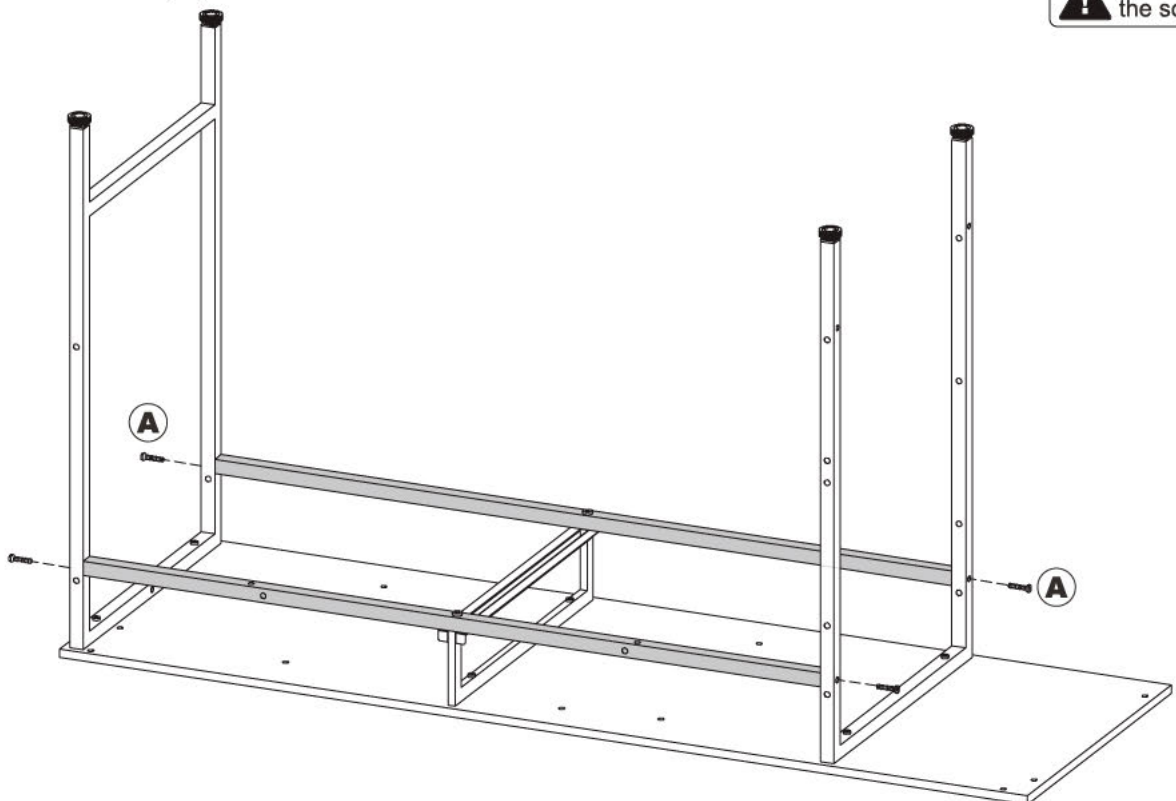
 Do not fully tighten the screws yet.



  **x2**

 Do not fully tighten the screws yet.


STEP 32(B)

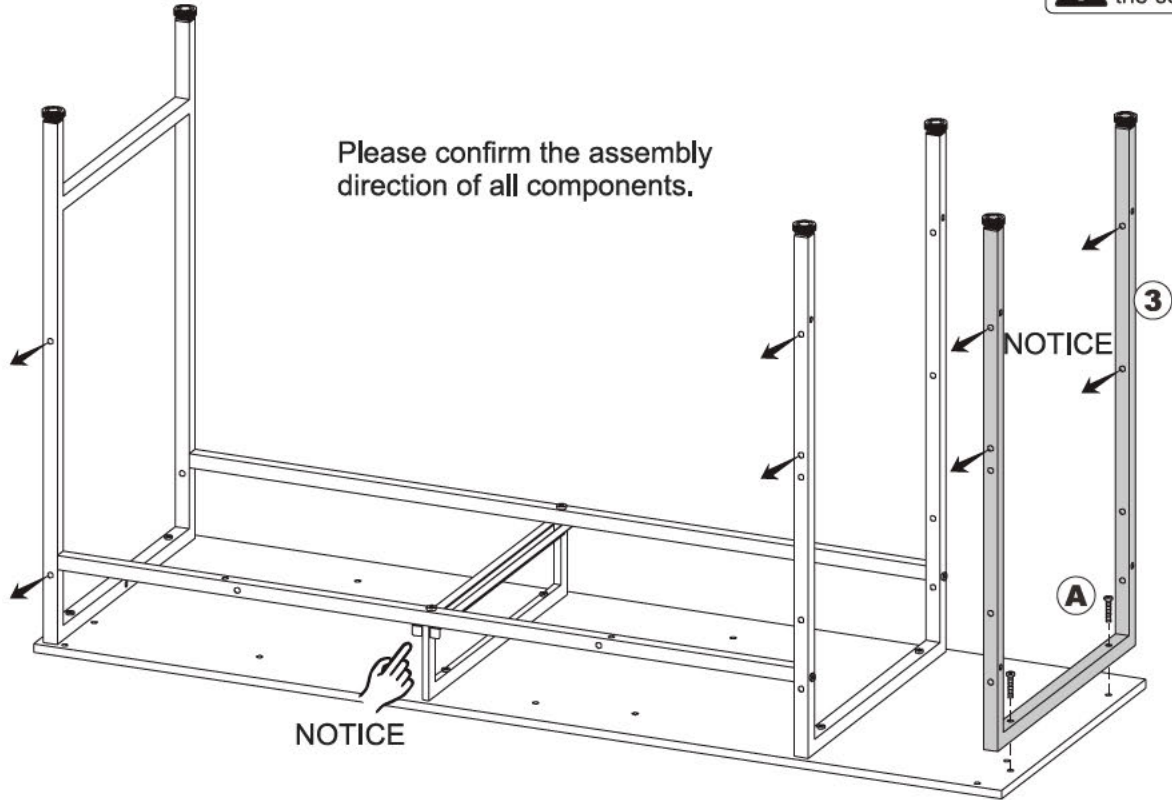


  **x4**

INSTALLATION INSTRUCTIONS


STEP 33(B)

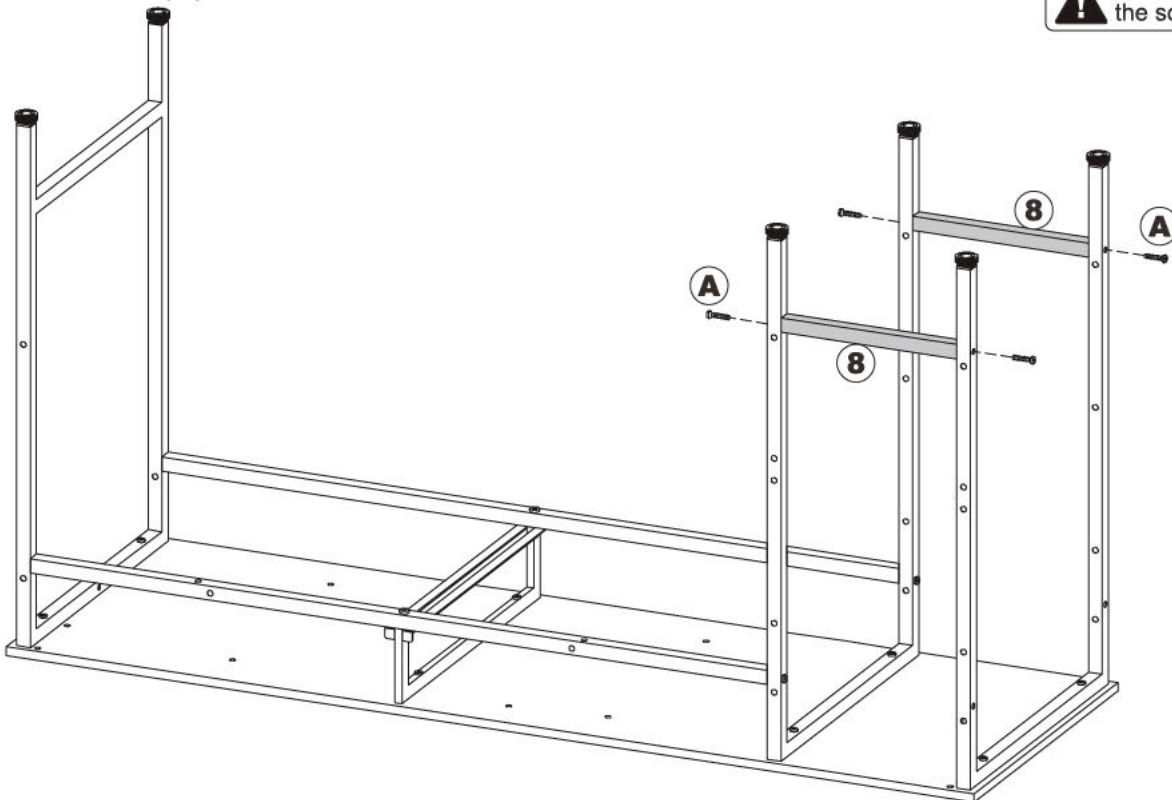
 Do not fully tighten the screws yet.



  **x2**

STEP 34(B)


 Do not fully tighten the screws yet.

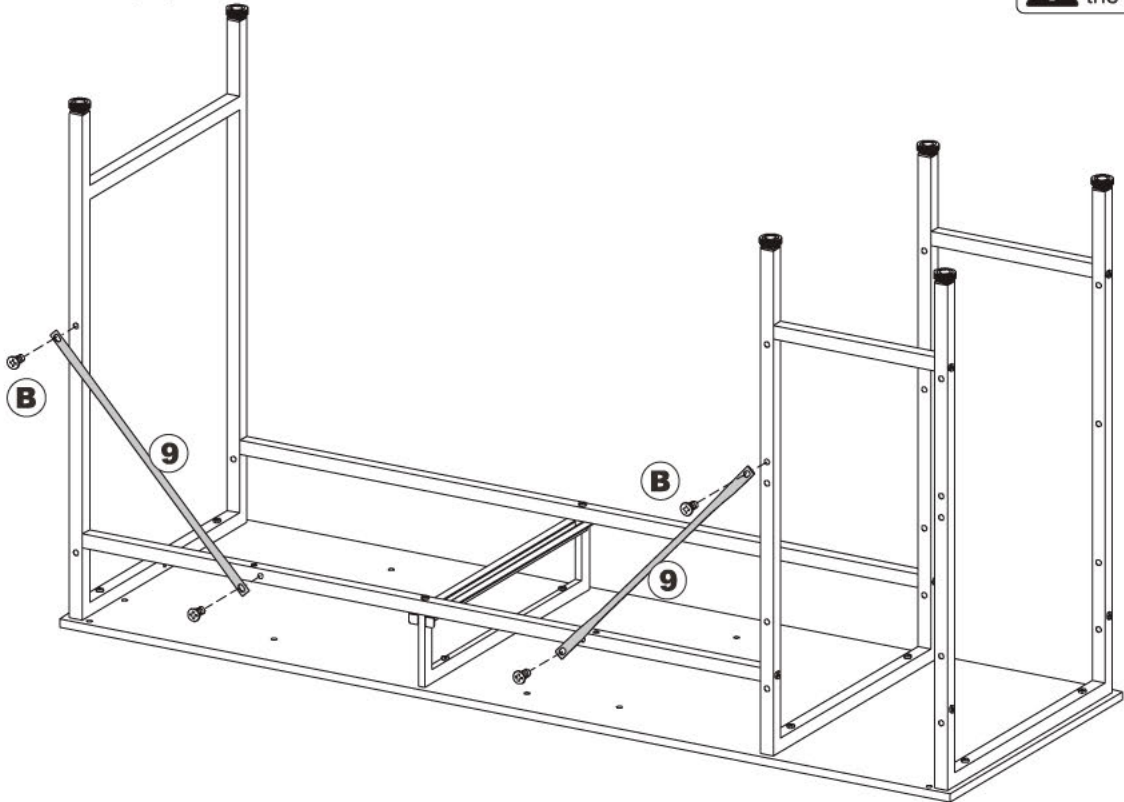


  **x4**

INSTALLATION INSTRUCTIONS


STEP 35(B)

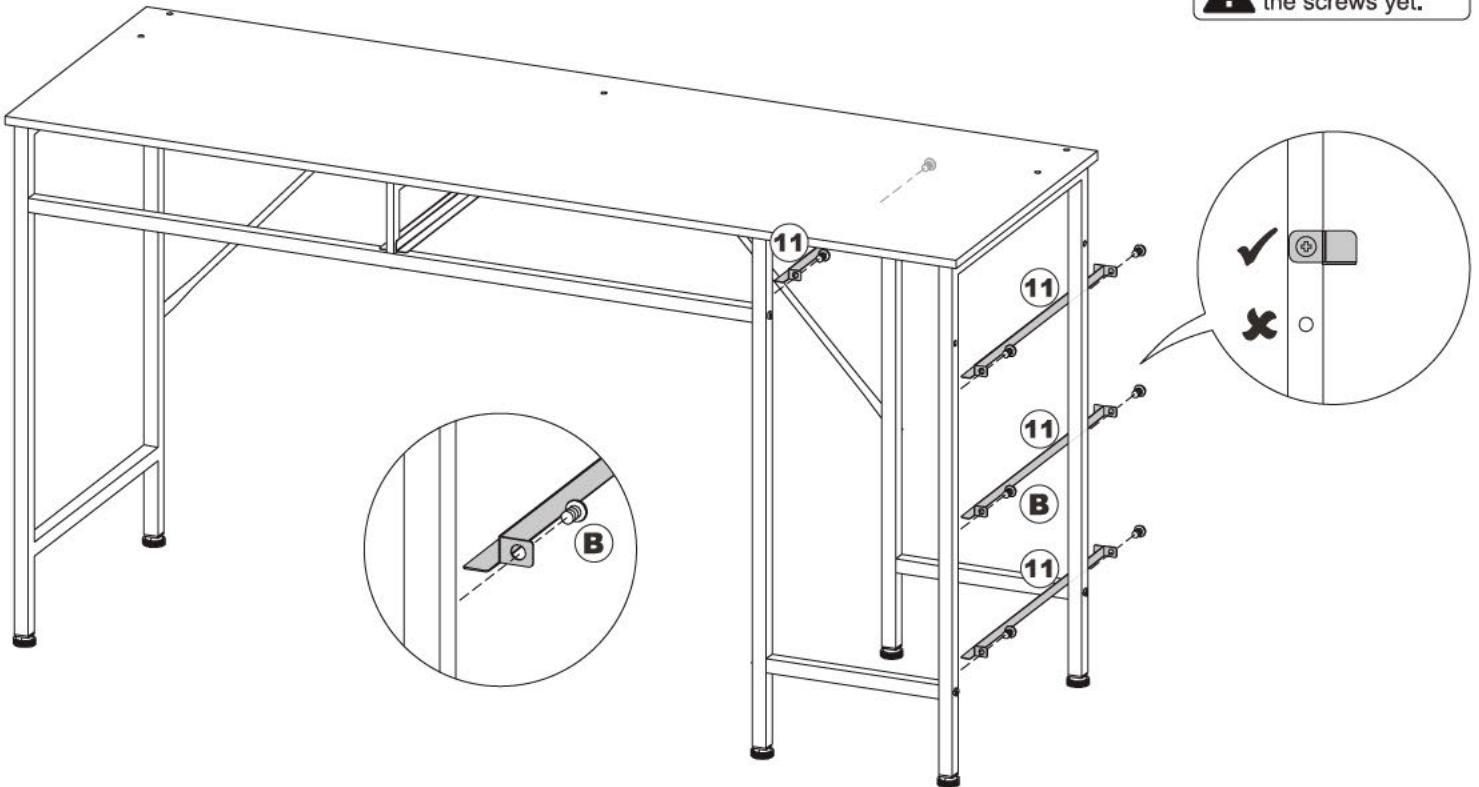
 Do not fully tighten the screws yet.




B  **x4**


STEP 36(B)

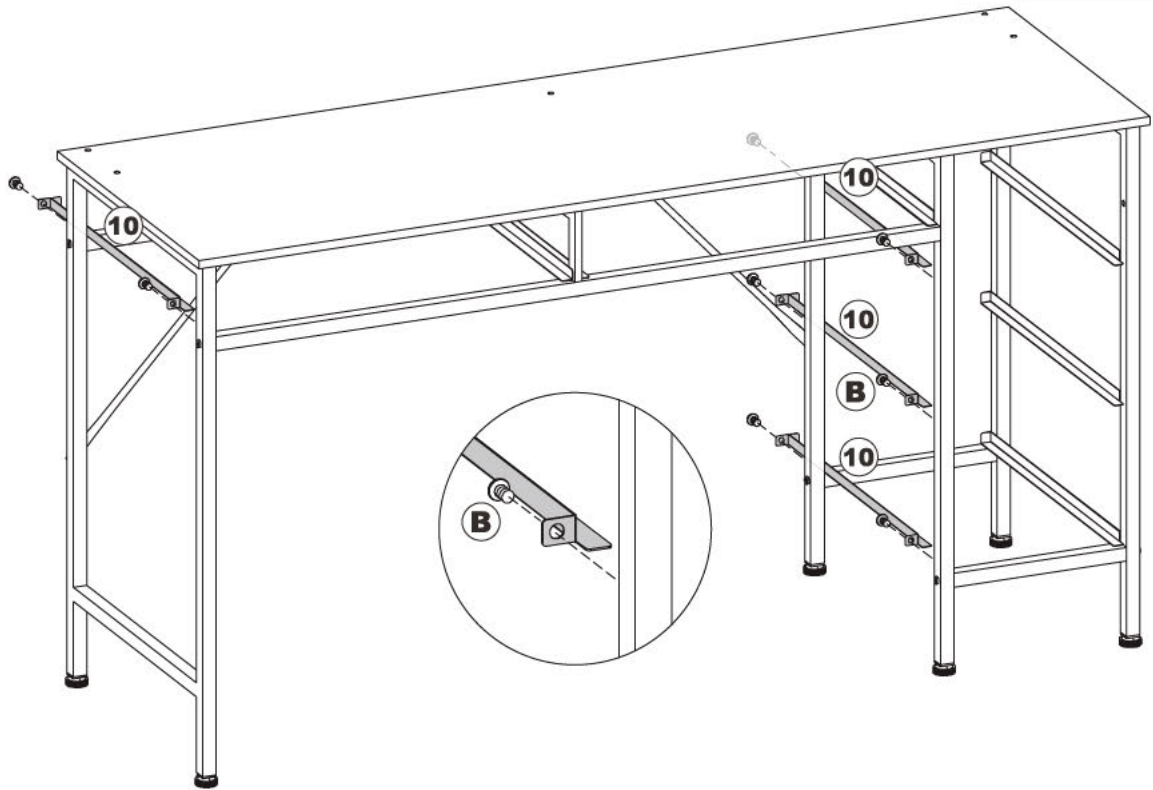
 Do not fully tighten the screws yet.



B  **x8**

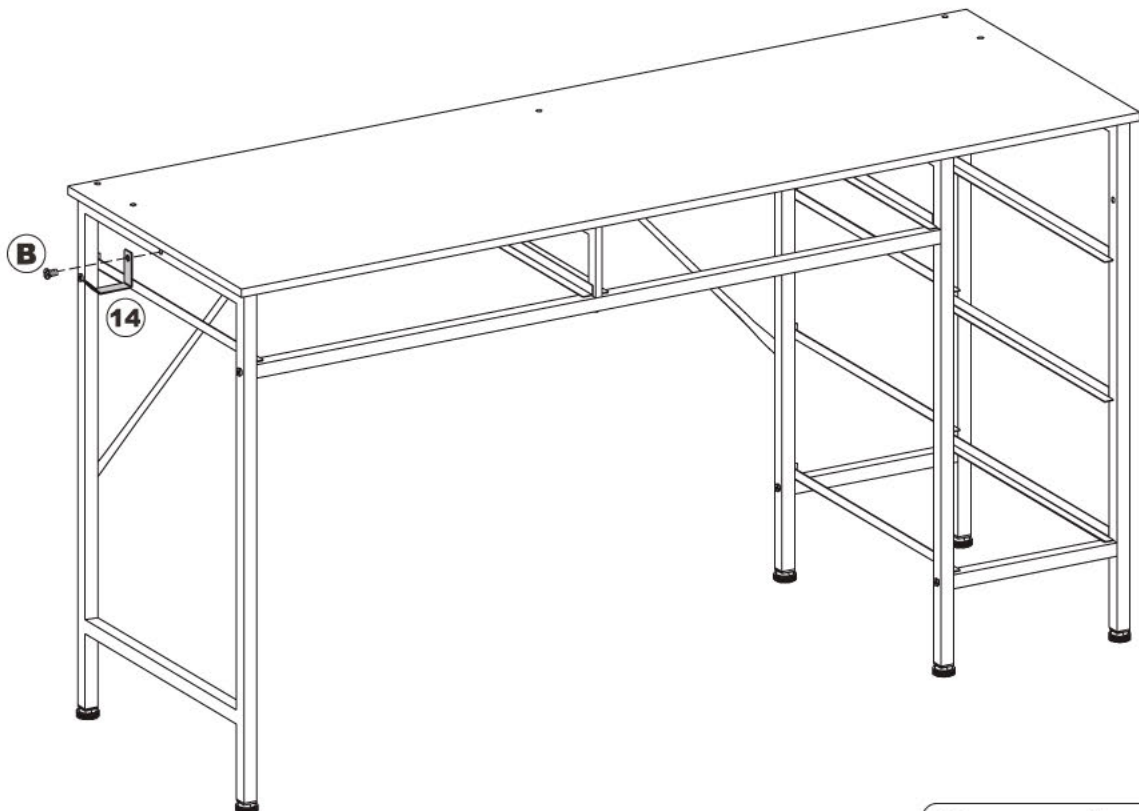
STEP 37(B)


 Do not fully tighten the screws yet.



B  **x8**

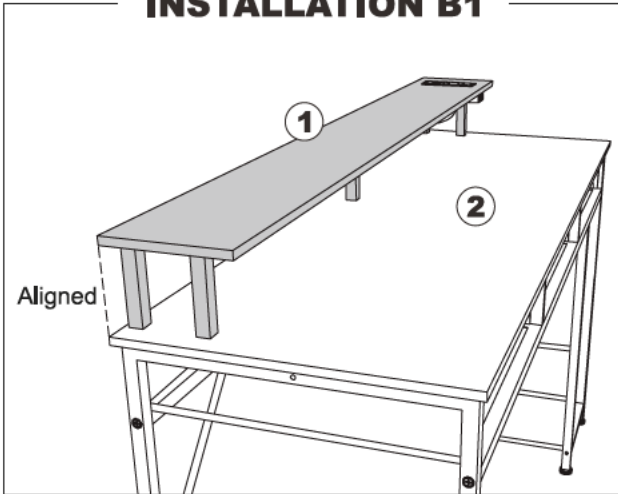
STEP 38(B)



B  **x1**

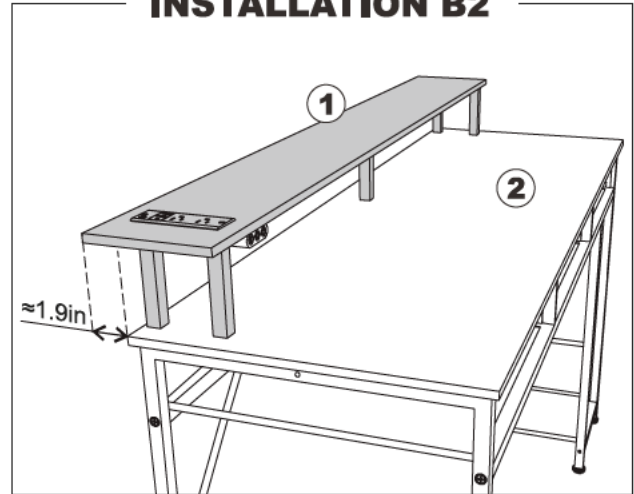
STEP 39(B)

INSTALLATION B1



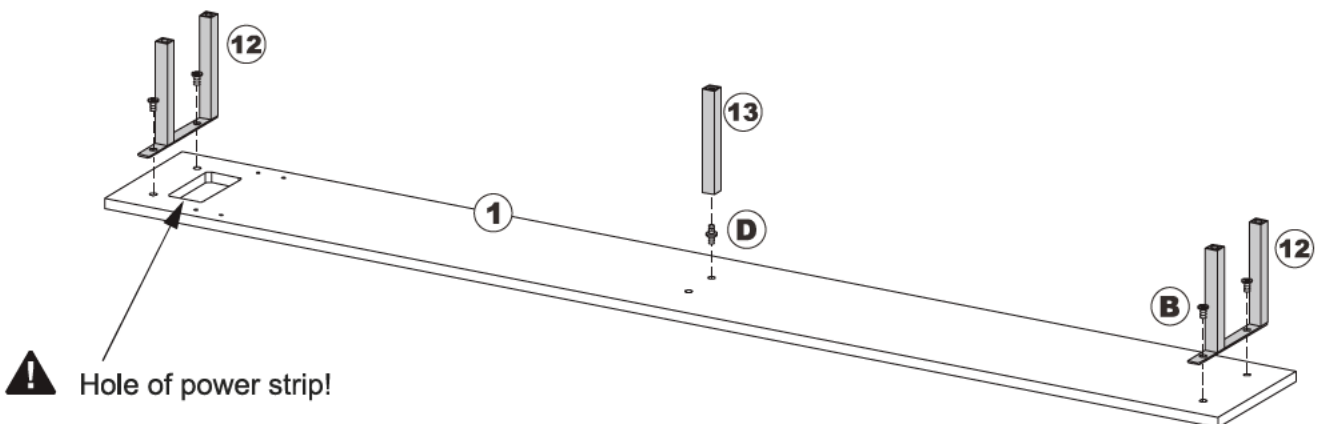
If you want the monitor stand ① to be flush with the desktop ②, please refer to step 40 - 43.

INSTALLATION B2

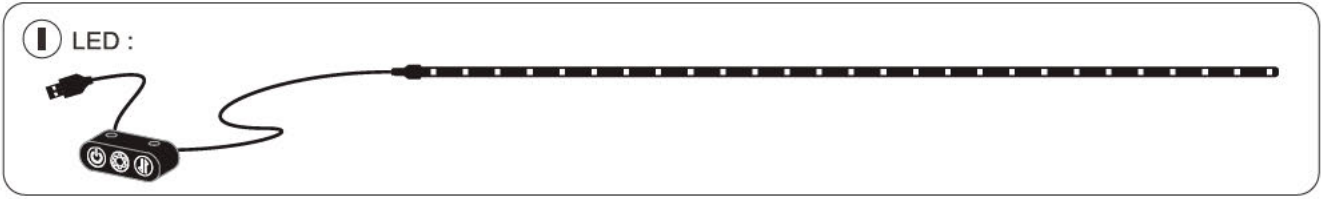


If you want the monitor rack ① to extend beyond the desktop ② for greater usage space, please refer to step 44 - 47.

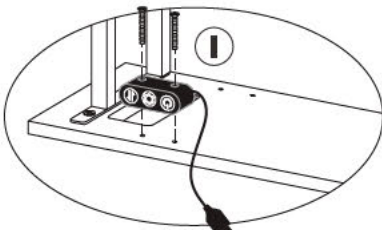
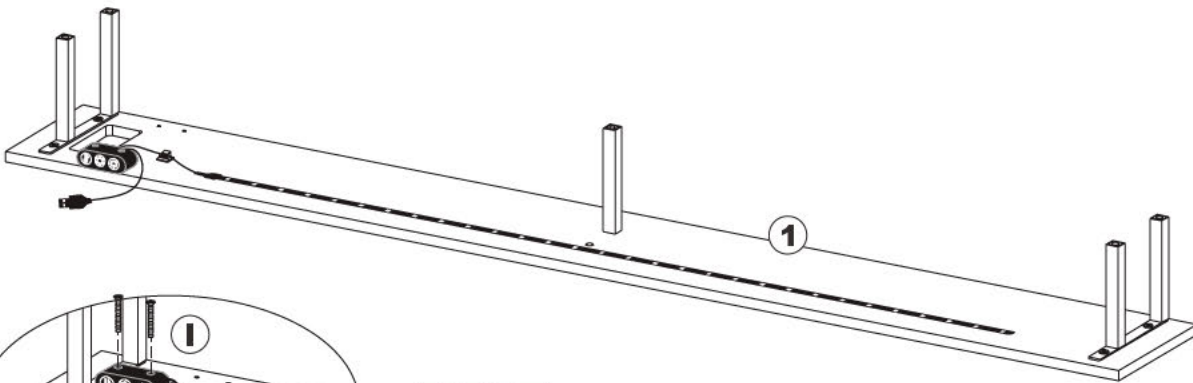
STEP 40(B1)



STEP 41 (B1)



1. Please align the position to remove the red sticker behind the light strip carefully when installing, and then paste it to the product.
2. Please tear off the light strip slowly when changing the position to prevent breaking.
3. Note: Do not pull on the light strip forcefully to avoid breakage.

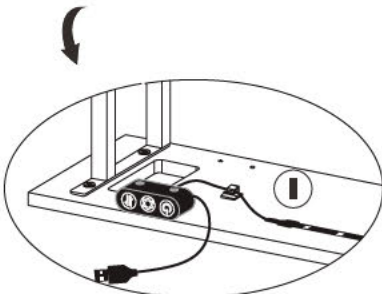


FIRST

Please be sure to follow the steps to place the boards ① and install the LED light strip as shown in this step.



SECOND



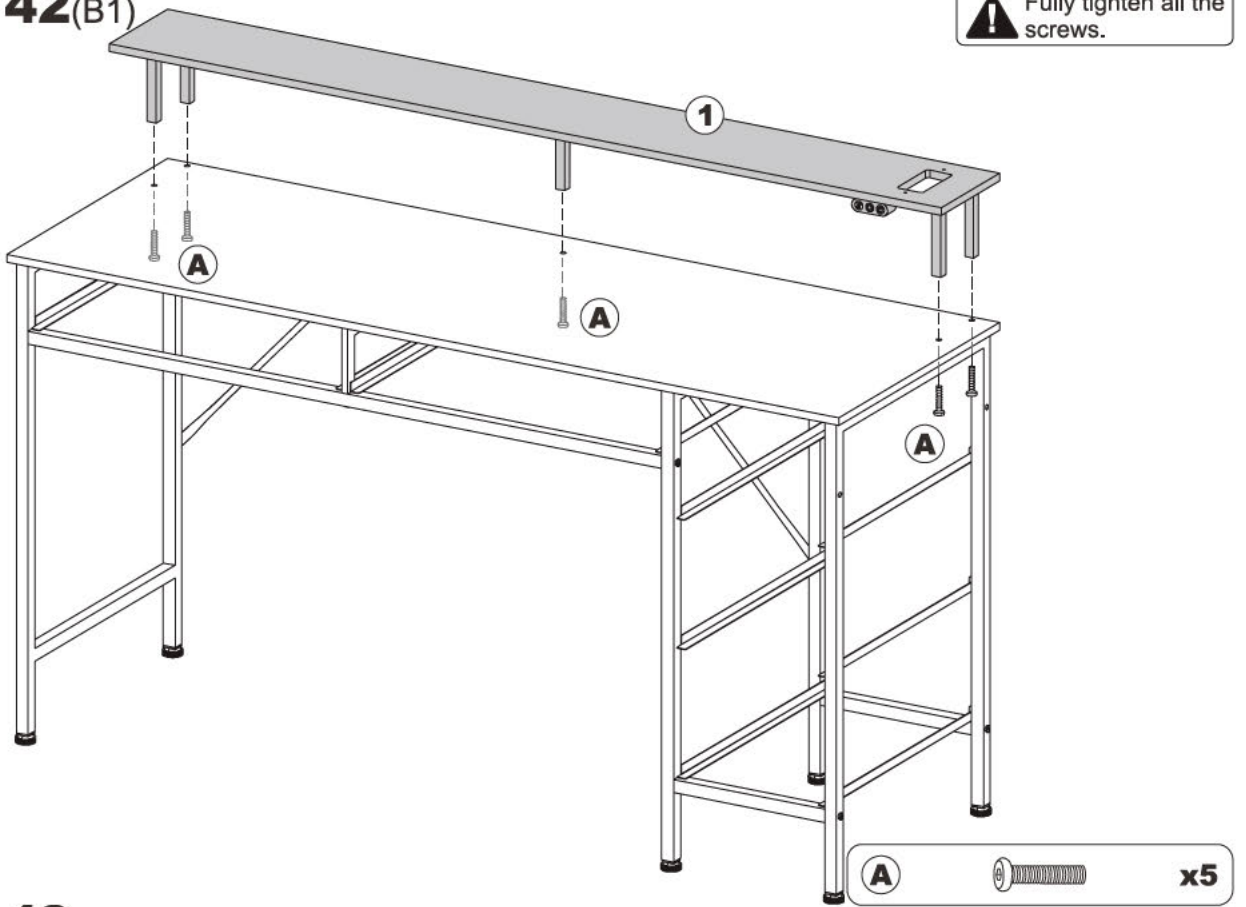
THIRD



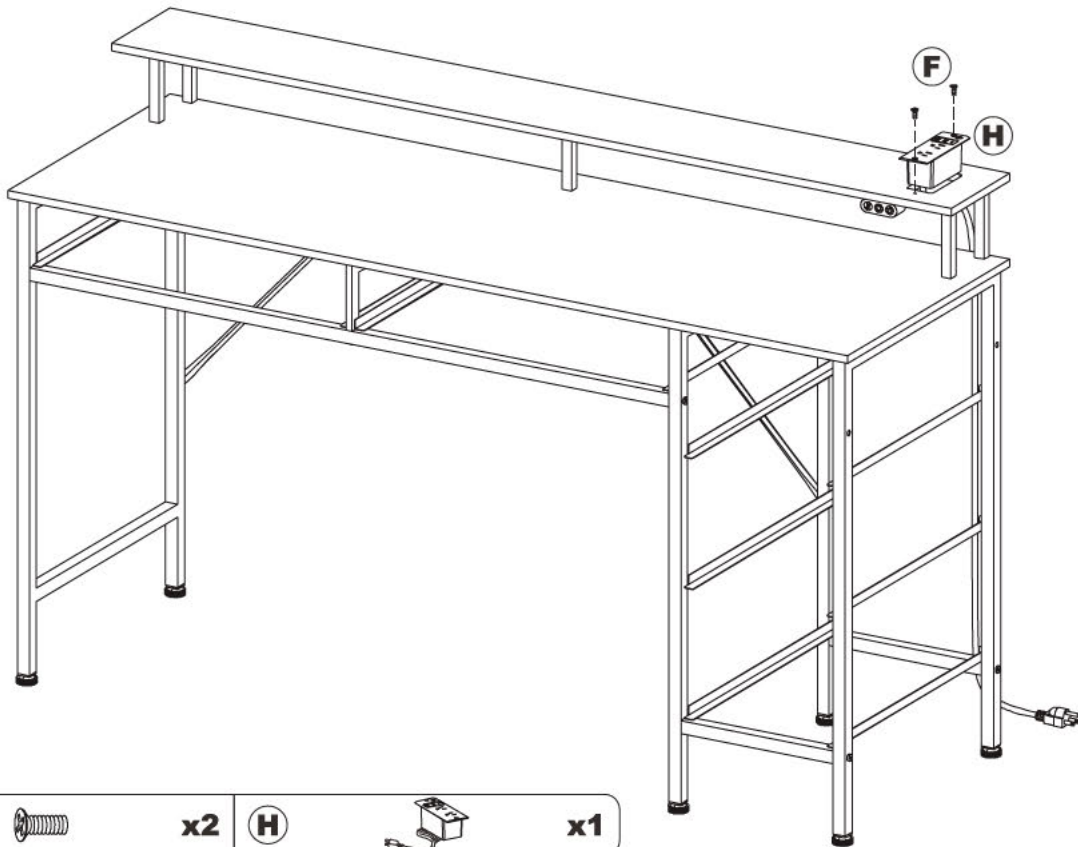
INSTALLATION INSTRUCTIONS

STEP 42(B1)

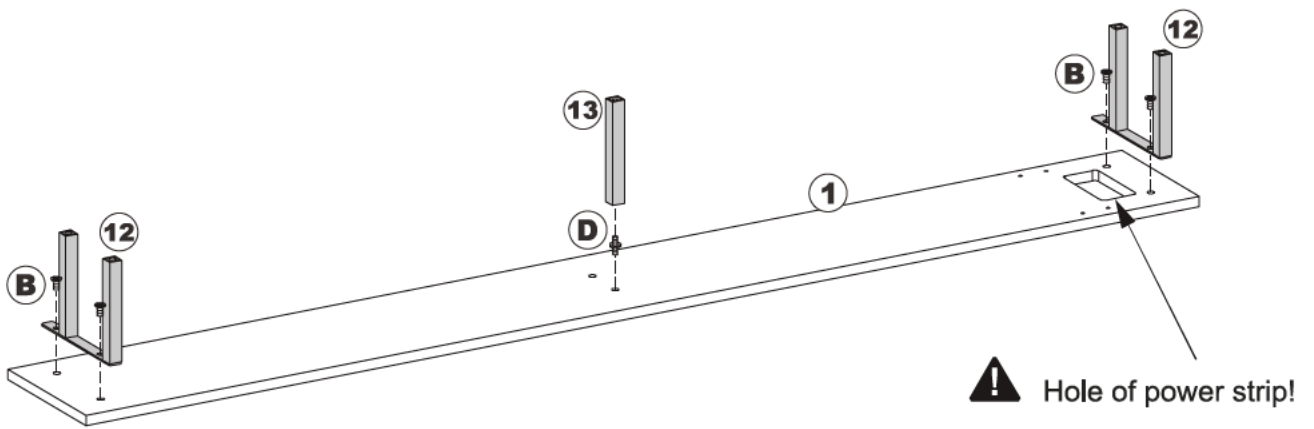
 Fully tighten all the screws.



STEP 43(B1)

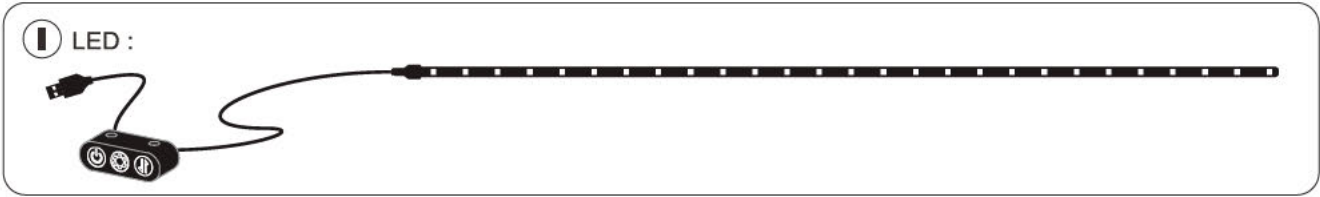


STEP 44_(B2)

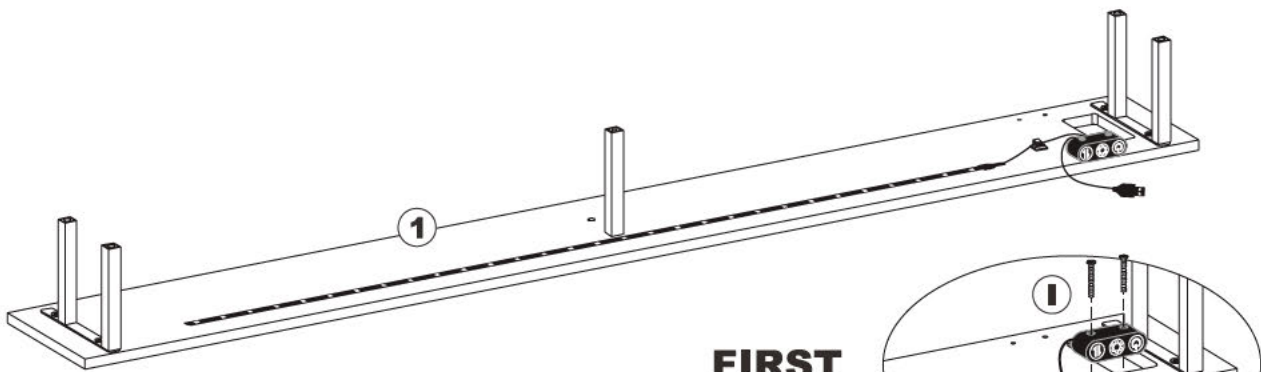


B		x4	D		x1
----------	---	-----------	----------	---	-----------

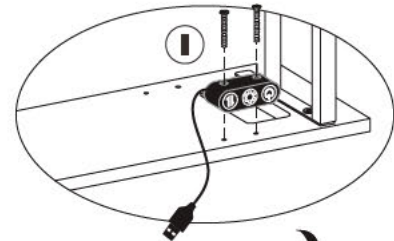
STEP 45(B2)



1. Please align the position to remove the red sticker behind the light strip carefully when installing, and then paste it to the product.
2. Please tear off the light strip slowly when changing the position to prevent breaking.
3. Note: Do not pull on the light strip forcefully to avoid breakage.



FIRST

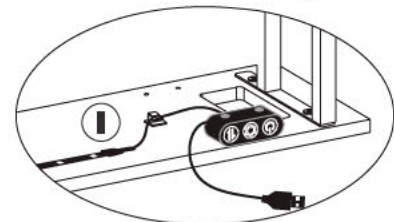


Please be sure to follow the steps to place the boards ① and install the LED light strip as shown in this step.

SECOND



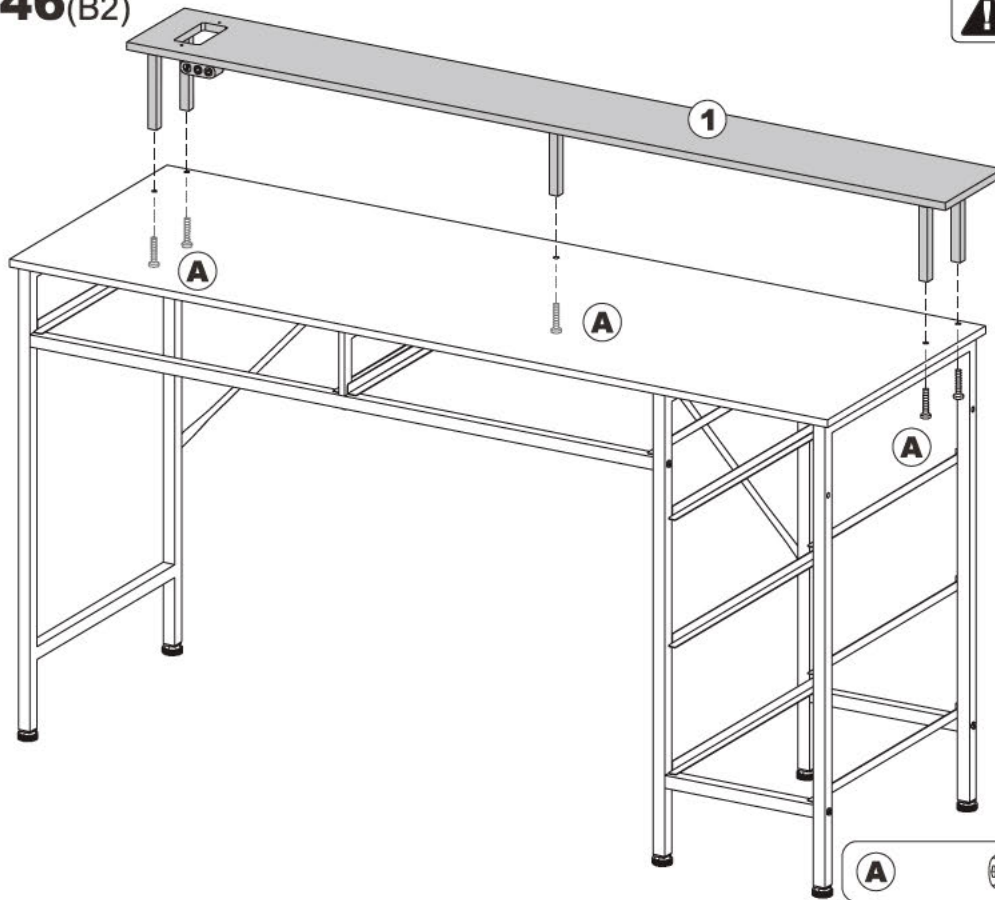
THIRD



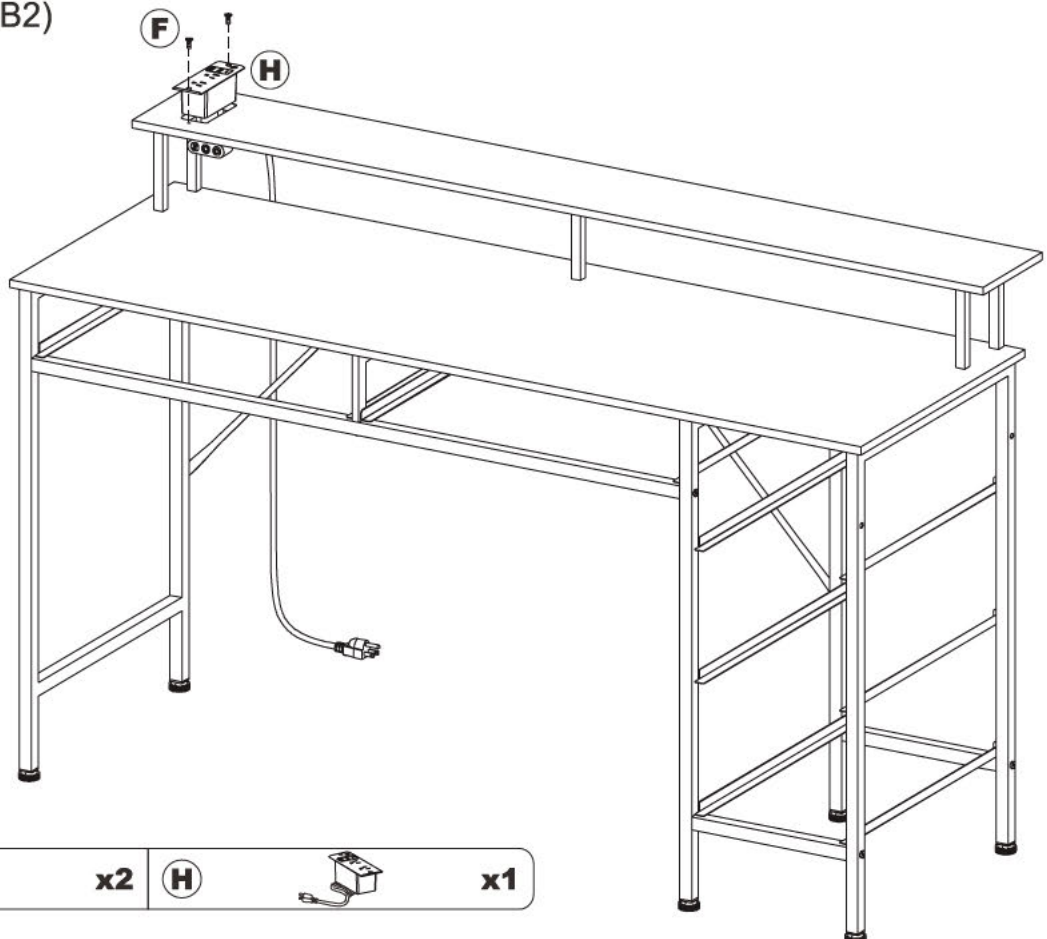
INSTALLATION INSTRUCTIONS

STEP 46(B2)

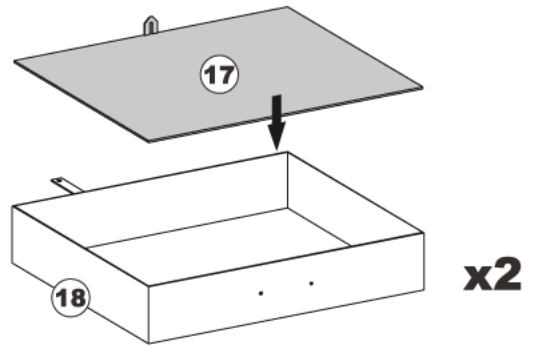
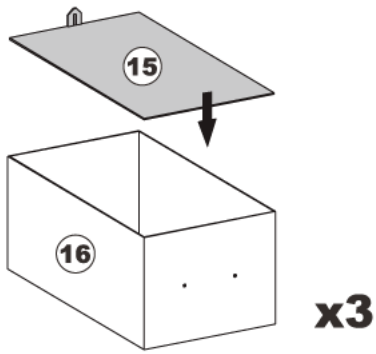
 Fully tighten all the screws.



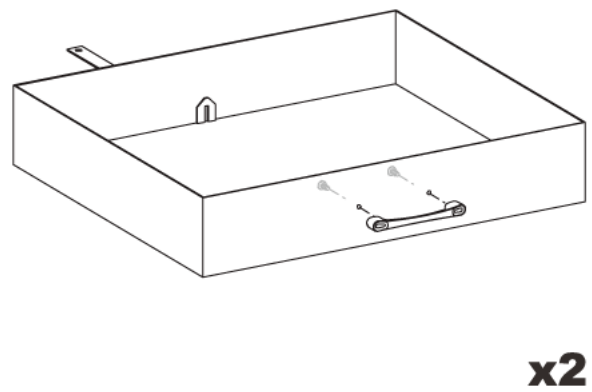
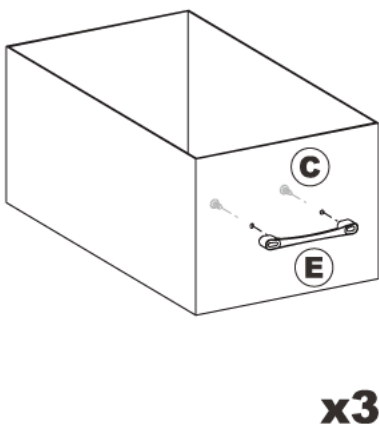
STEP 47(B2)



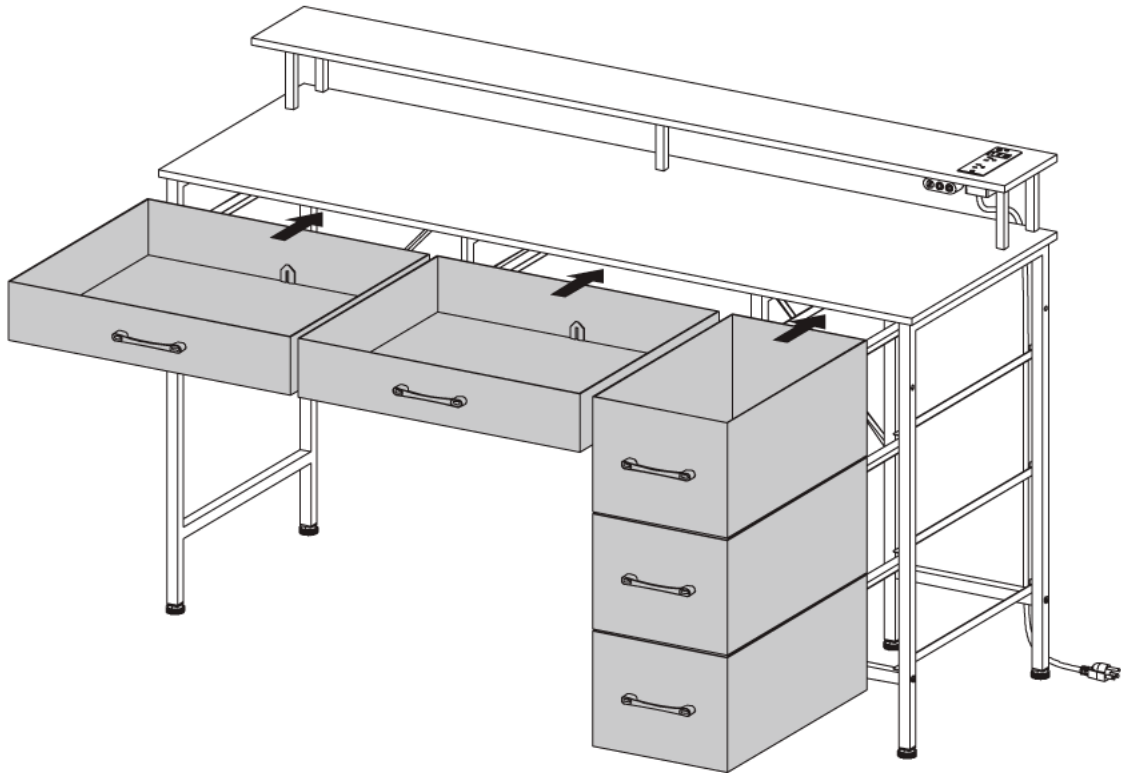
STEP 48(B)



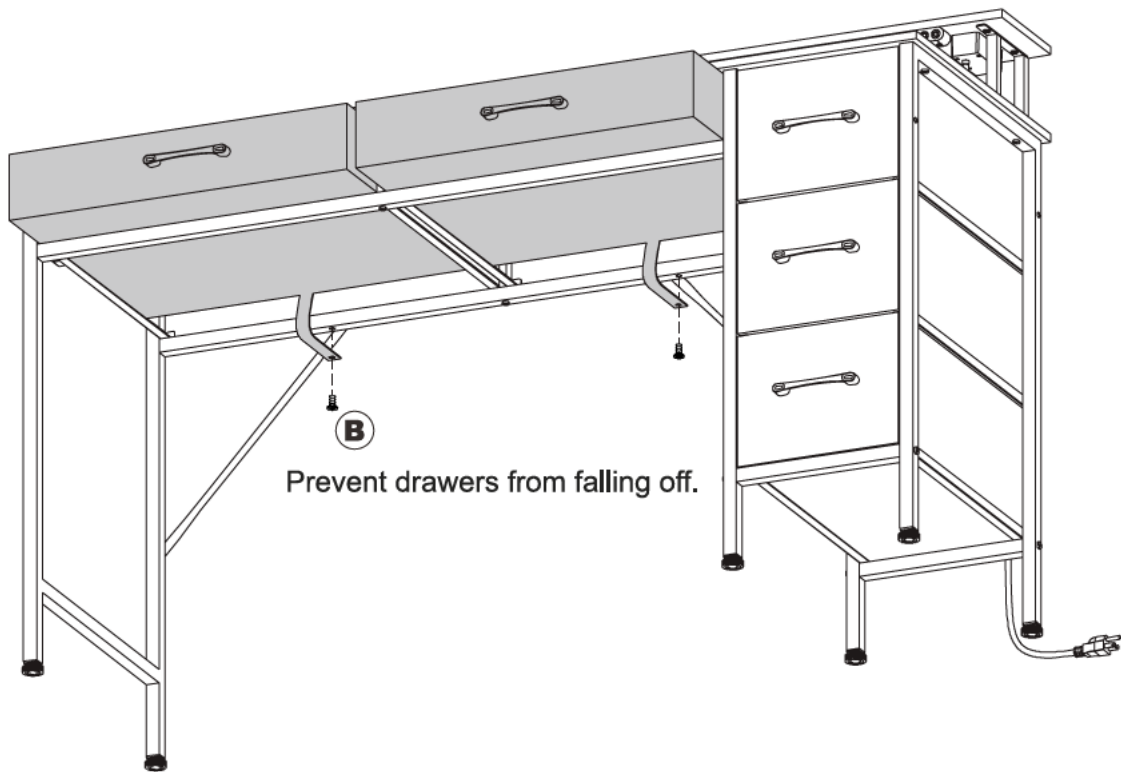
STEP 49(B)



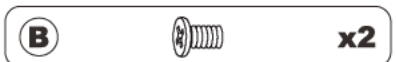
STEP 50(B)





STEP 51(B)



Prevent drawers from falling off.



STEP 52(B)

 The function of  is to prevent the computer desk from tipping over. Please install it as show.

