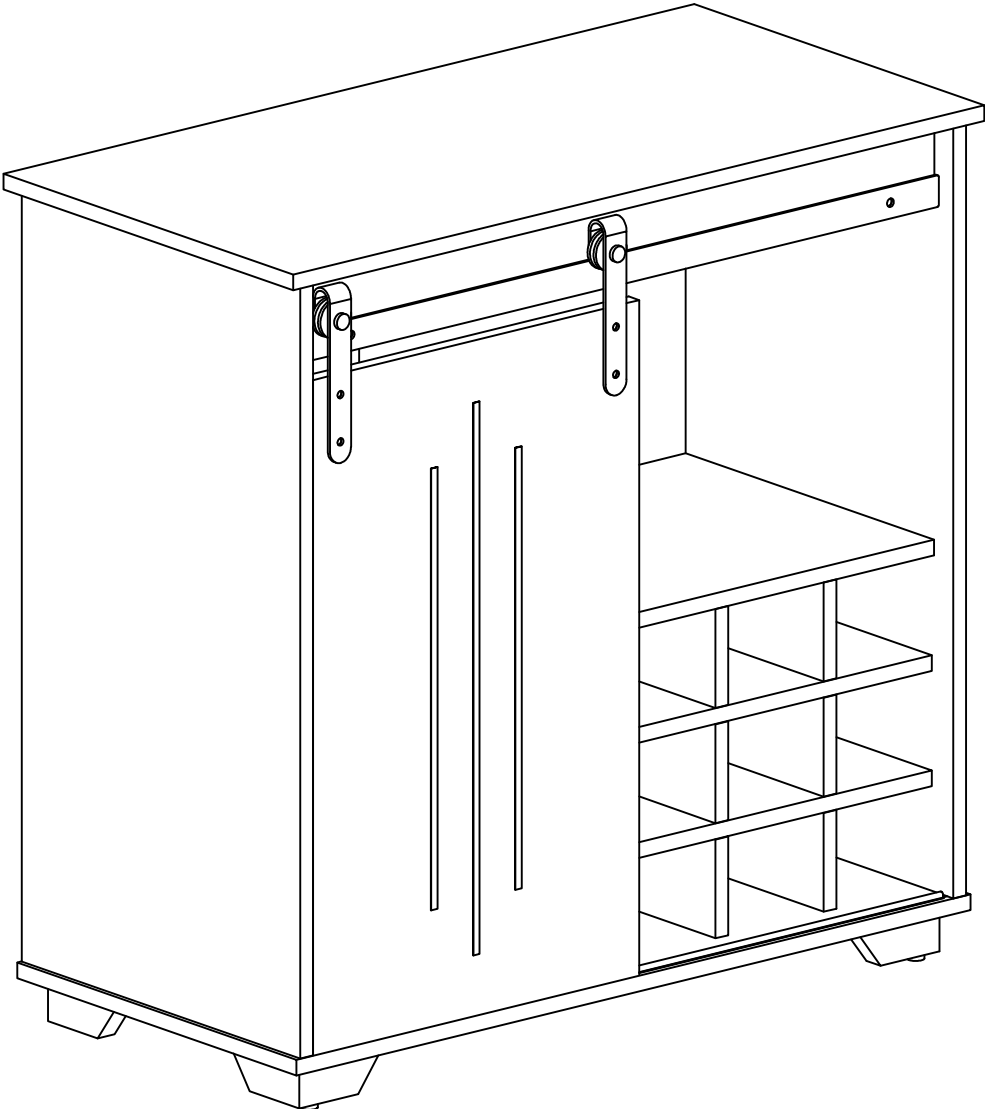
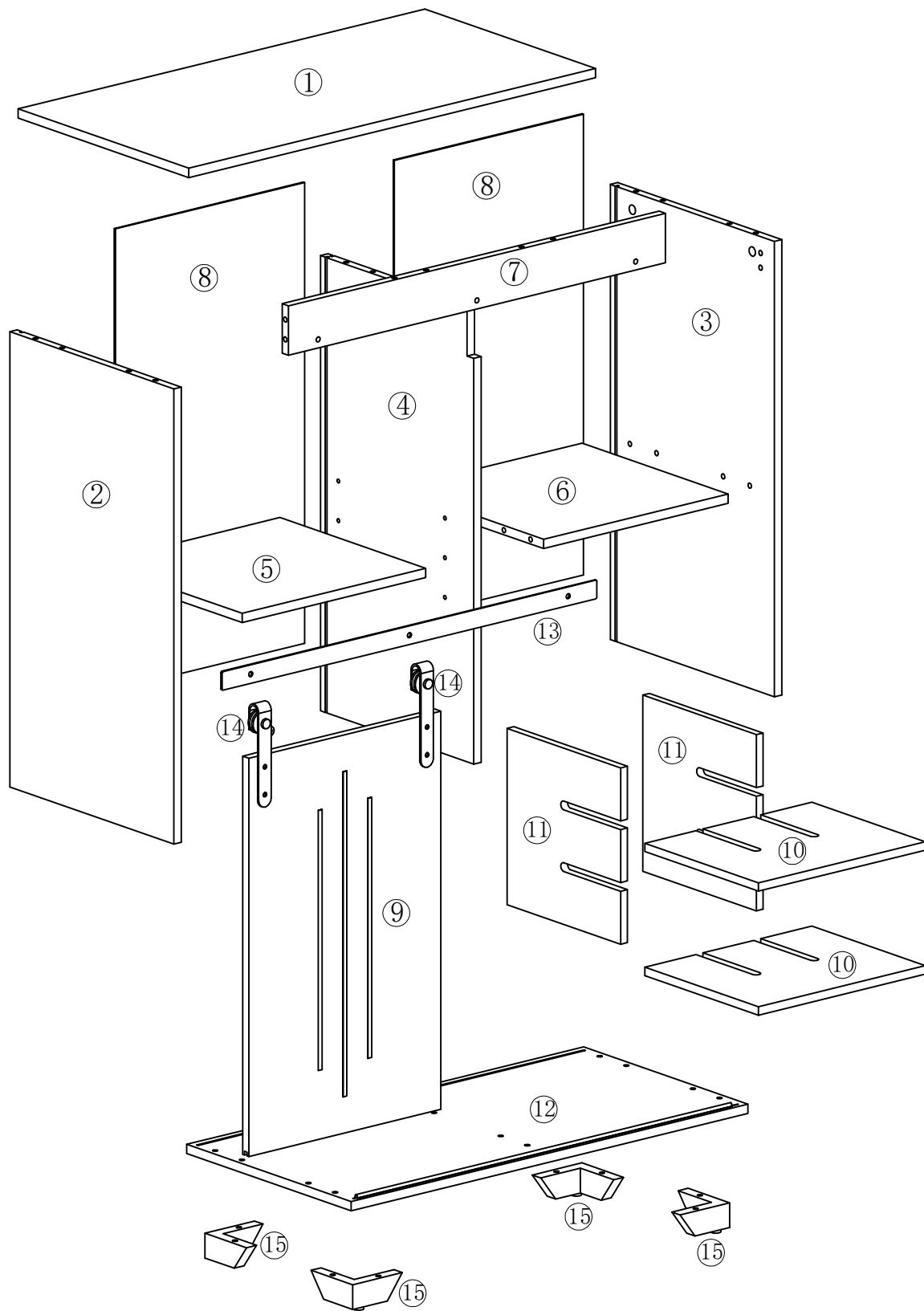


6090-ST359W

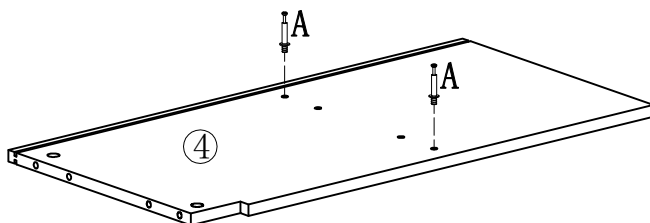
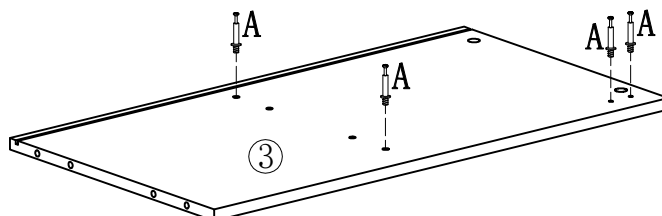
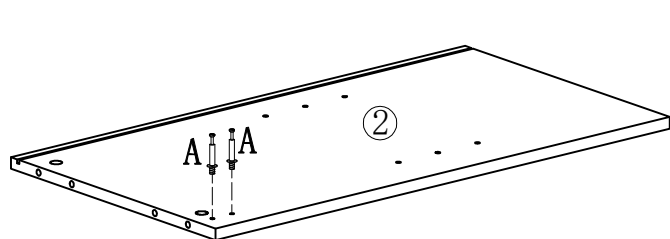
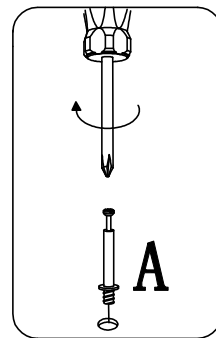
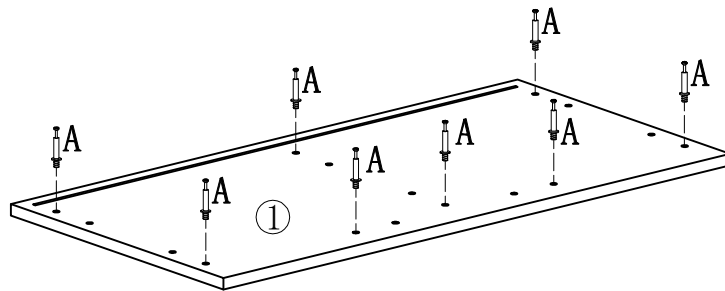


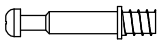


A	X16+1	B	X16+1	C	X18+1	D	X6+1	E	X1	F	X4	G	X4	H	X2
φ 6X35	φ 15X12	φ 8X30	φ 7X47	M4*55	M6*25mm	M6*10mm									

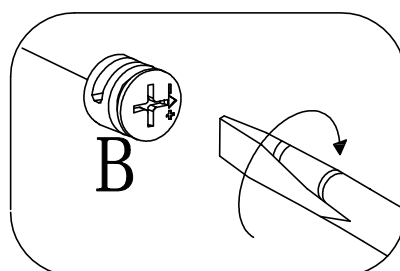
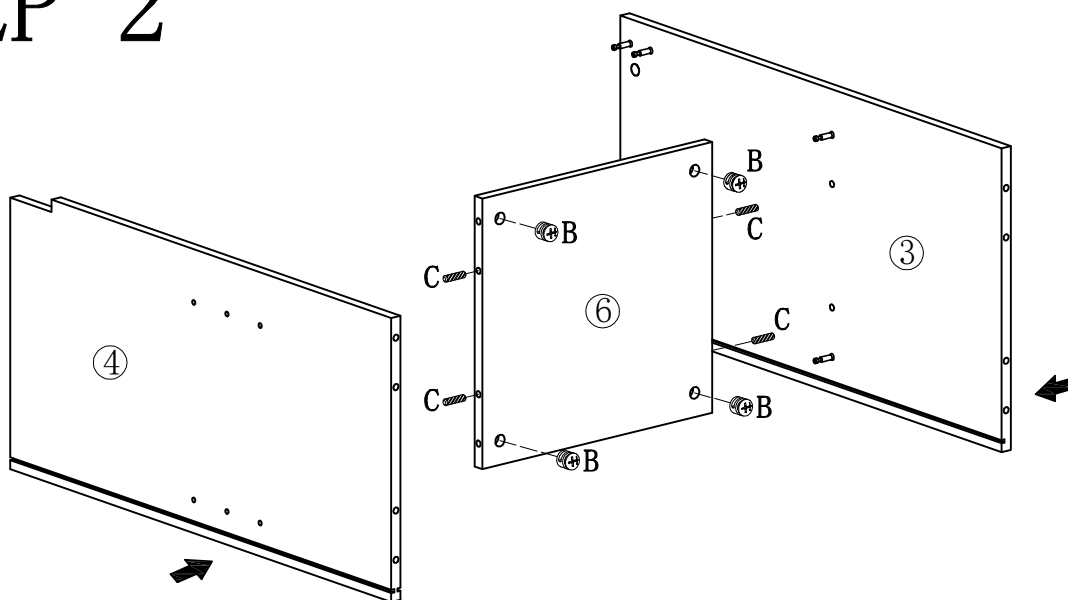
I	X3+1	J	X8+1	K	X3	L	X4	M	X2	N	X2	O	X10+1	P	X2+1	Q	X8
M6*30mm	M6*50mm	φ 16*16mm	φ 5*17	155*20mm	∅8*40mm	∅3.5*14mm	∅4*35mm	14*14*9mm									



STEP 1



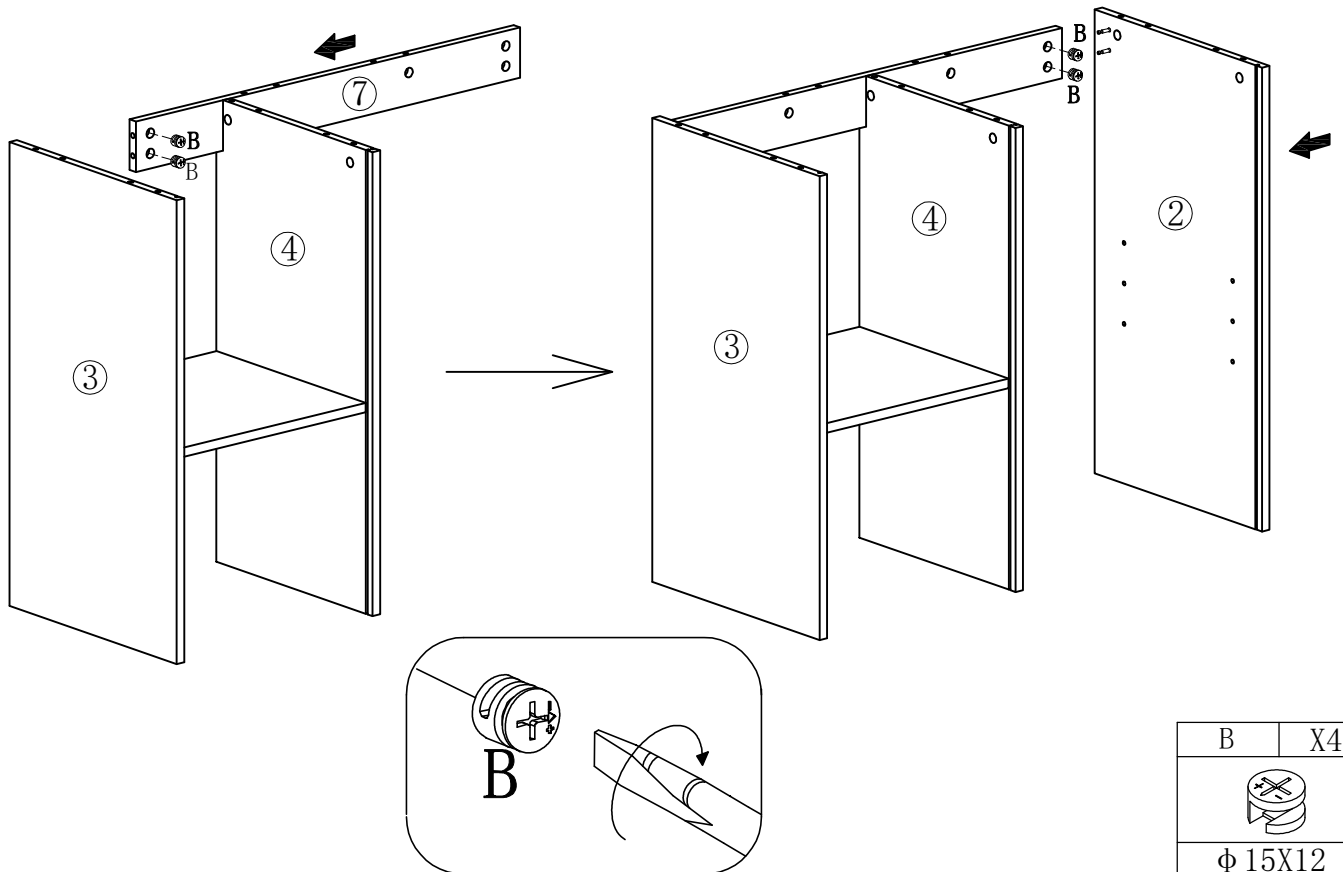
A	X16
	
$\phi 6 \times 35$	

STEP 2

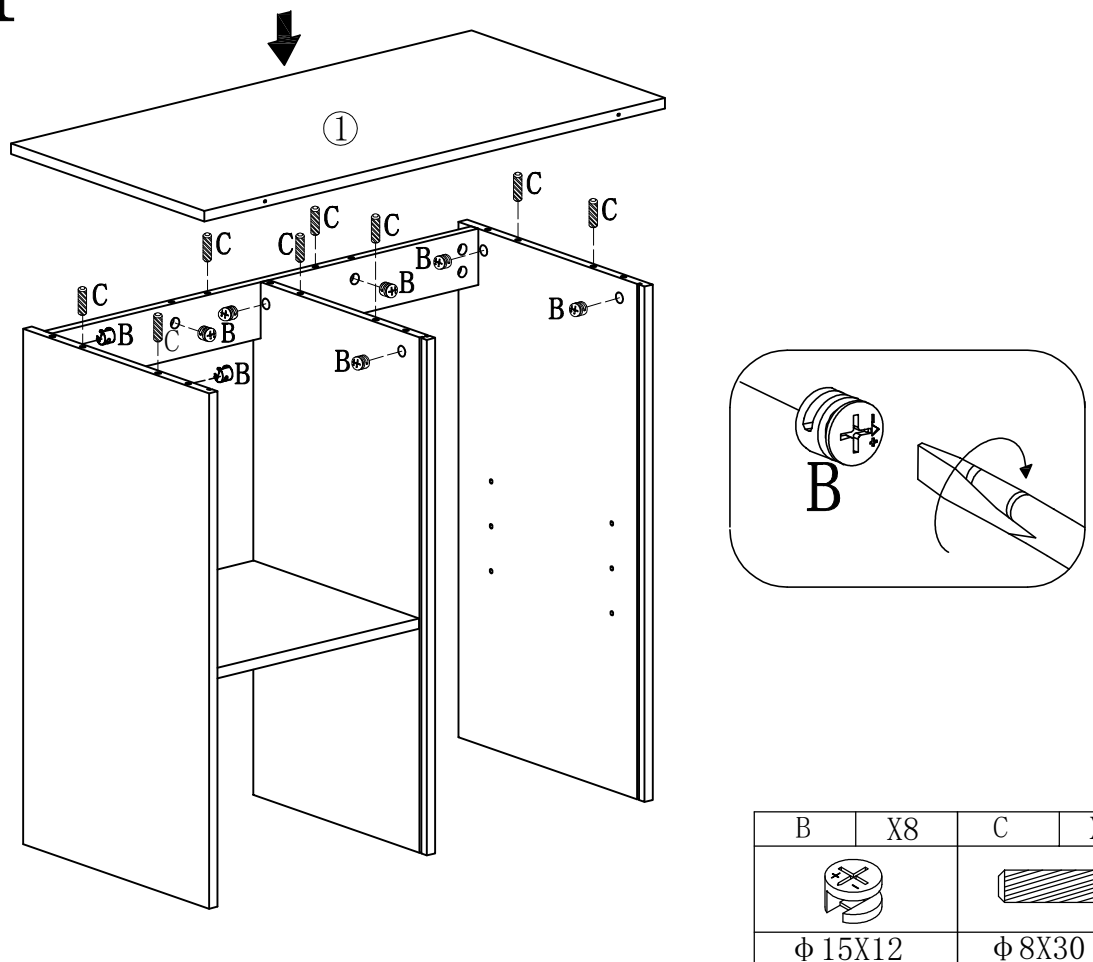


B	X4	C	X4
			
$\phi 15 \times 12$		$\phi 8 \times 30$	

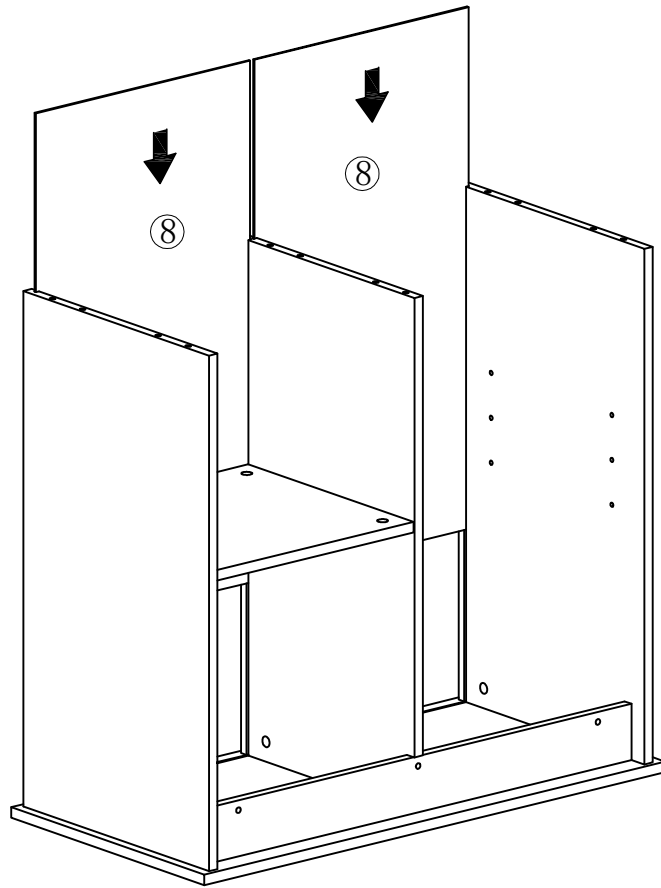
STEP 3



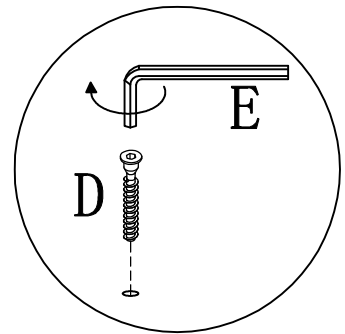
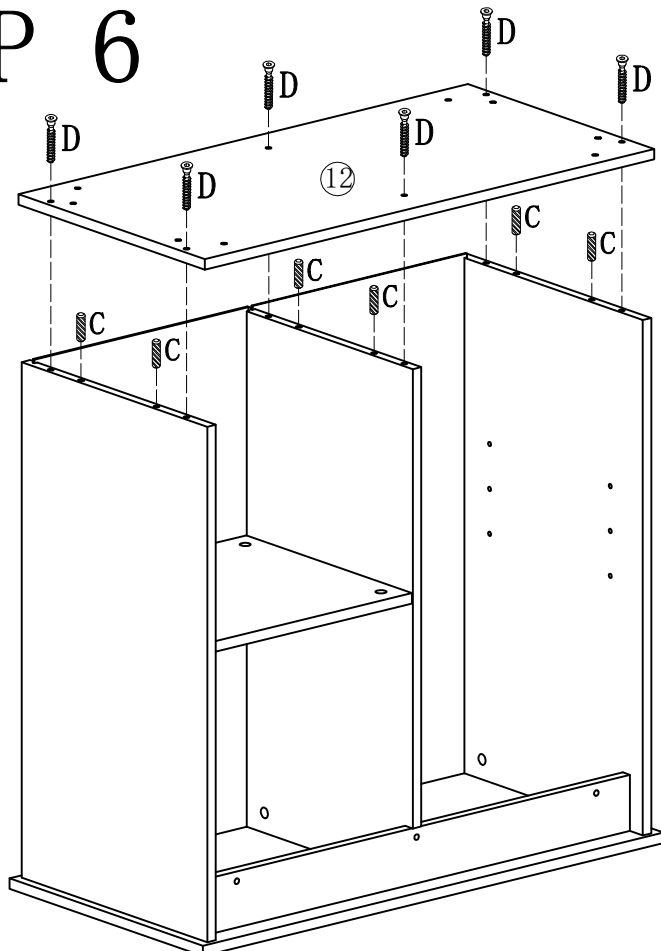
STEP 4


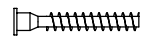



STEP 5

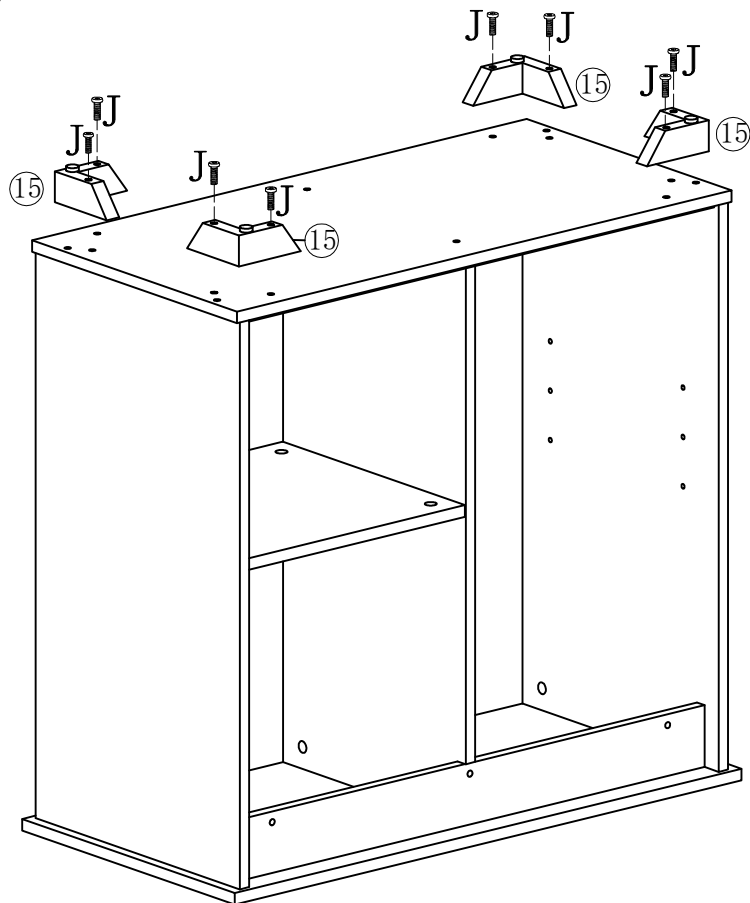


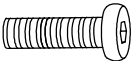
STEP 6



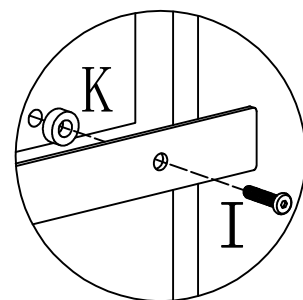
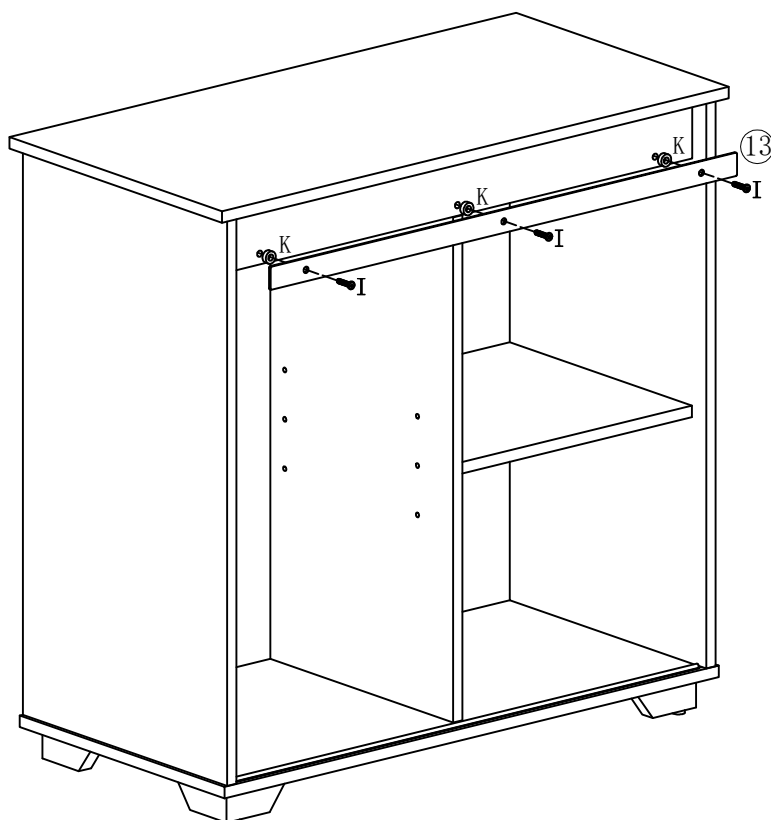
C	X6	D	X6	E	X1
					
ϕ 8X30		ϕ 7X47		M4X55	

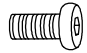

STEP 7



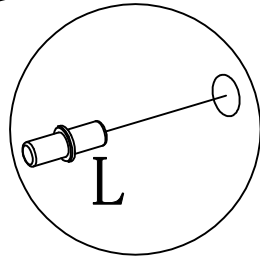
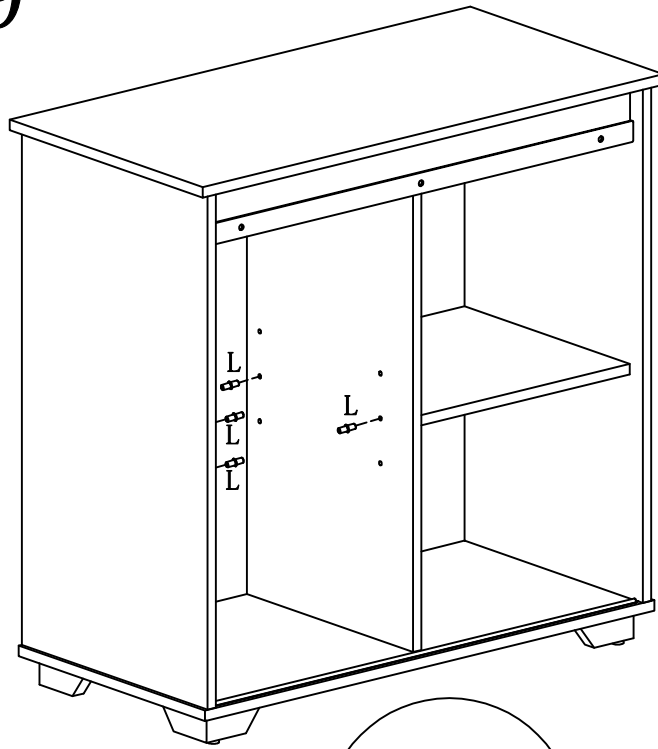
J	X8
	
M6*50mm	


STEP 8



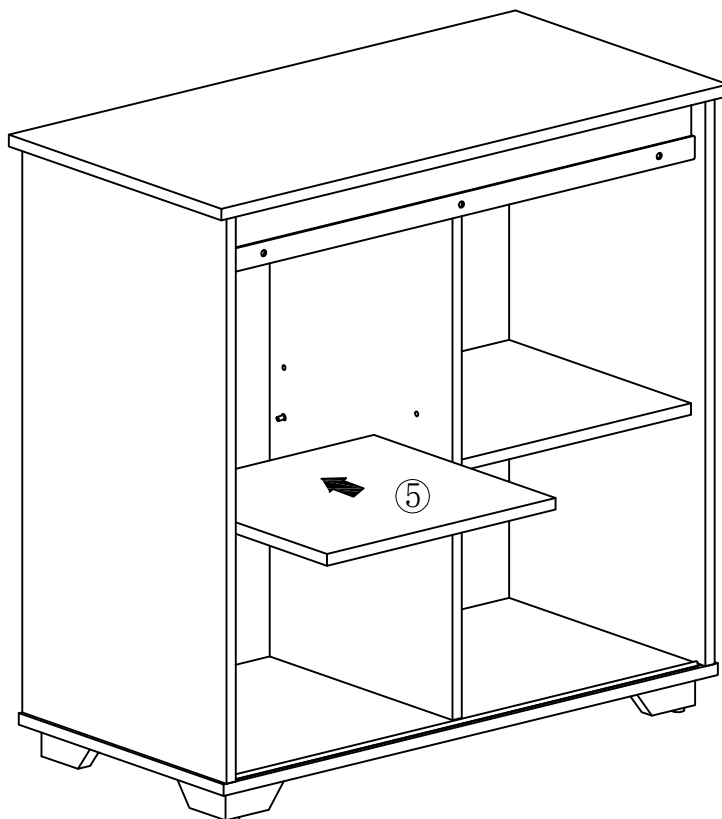
I	X3	K	X3
			
M6*30mm		Φ 16*16mm	

STEP 9

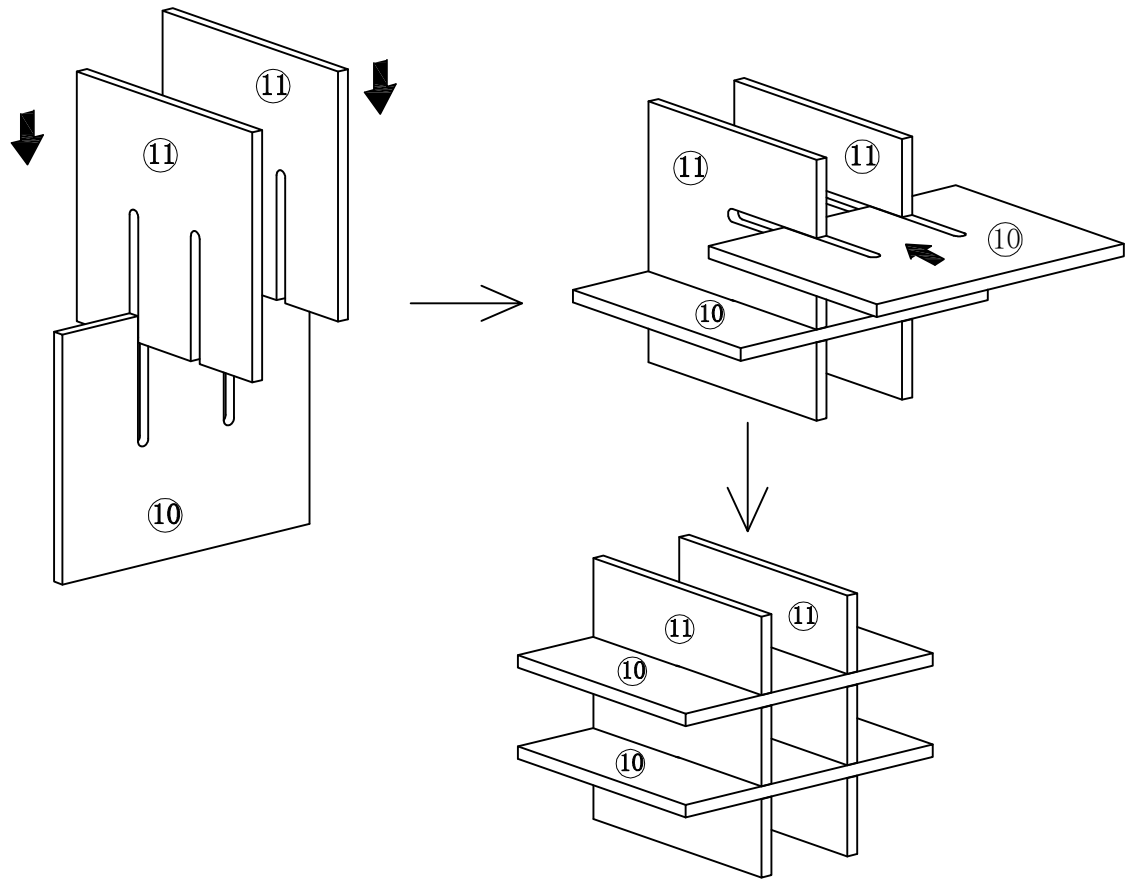


L	X4
	
Φ 5*17	

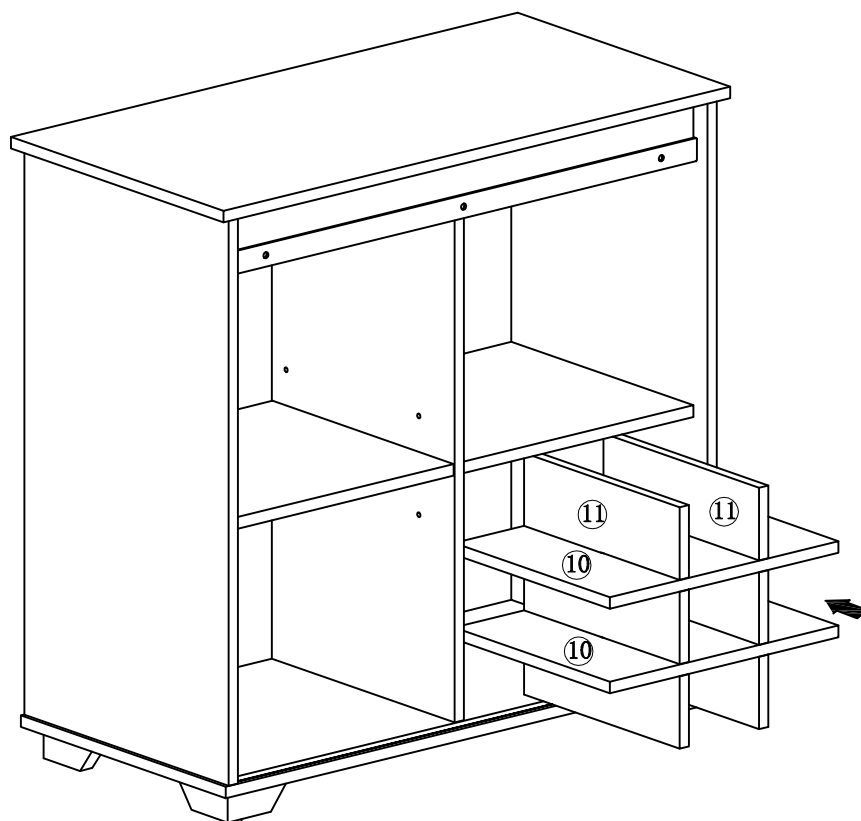
STEP 10



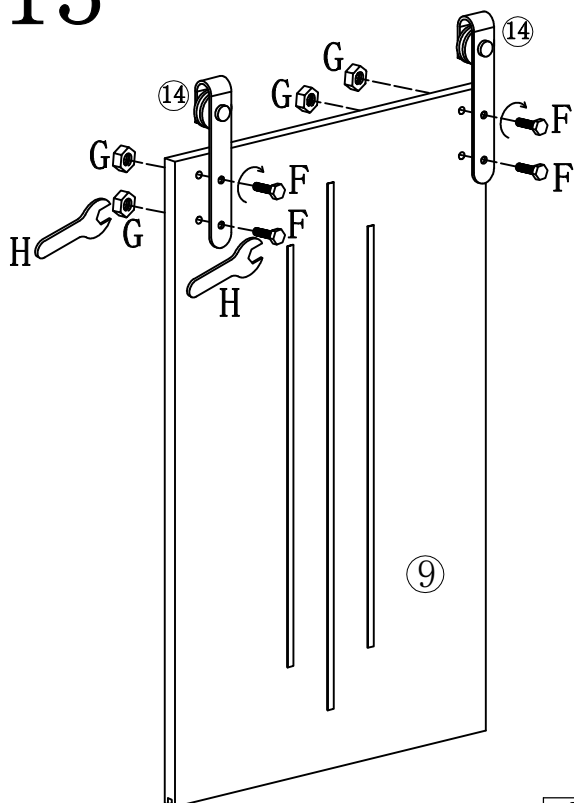
STEP 11






STEP 12

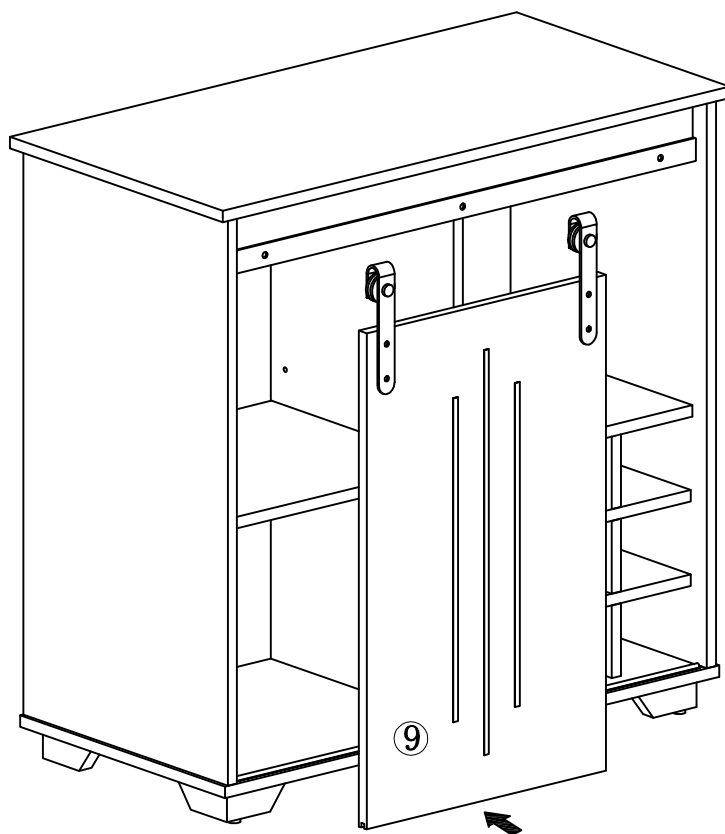


STEP 13

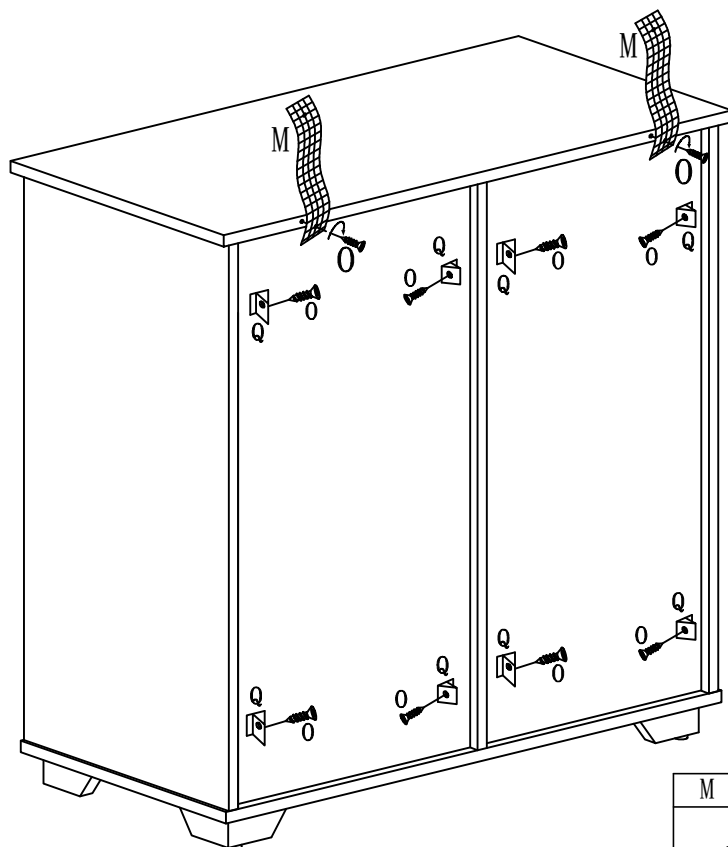


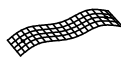


F	X4	G	X4	H	X2
					
M6*25mm		M6*10mm			

STEP 14

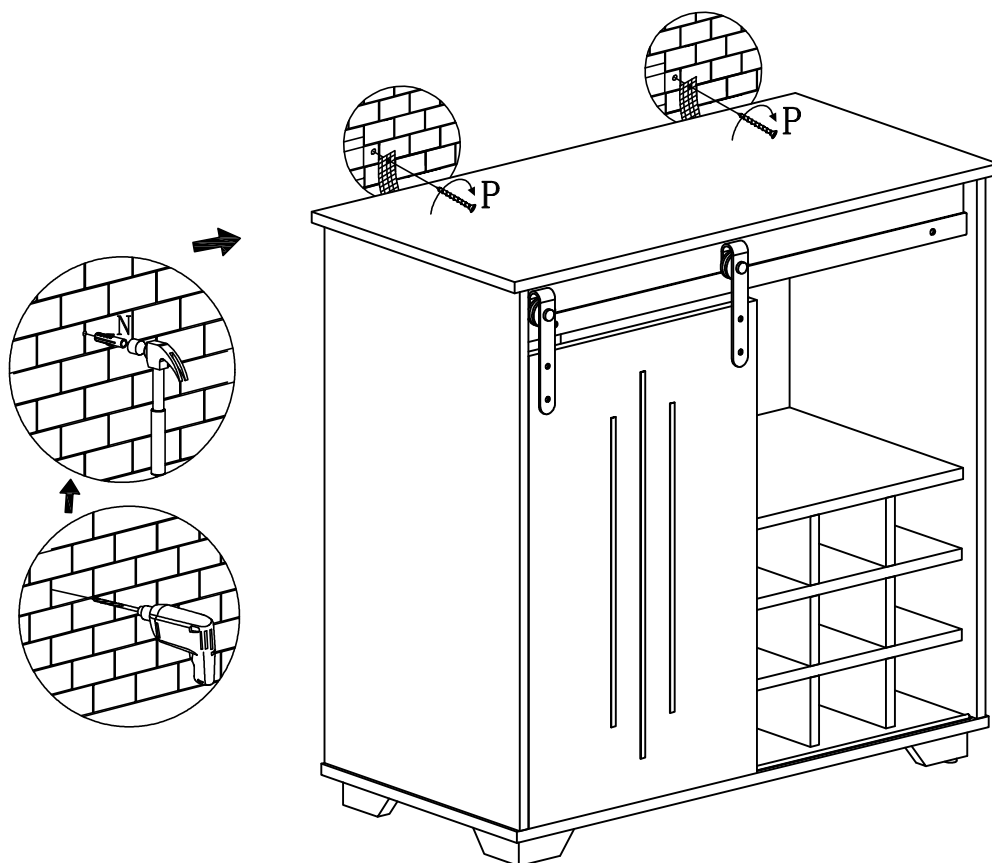



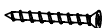
STEP 15



M	X2	O	X10	Q	X8
					
155*20mm		3.5*14mm		14*14*9mm	

STEP 16



N	X2	P	X2
			
ø8*40mm		ø4*35mm	