

ASSEMBLY INSTRUCTIONS



Fine Furniture for every stage of life

COUNTER HEIGHT STOOL

ASSEMBLY INSTRUCTIONS

ASSEMBLY TIPS:

1. Remove hardware from box and sort by size.
2. Please check to see that all hardware and parts are present prior to start of assembly.
3. Please follow attached instructions in the same sequence as numbered to assure fast & easy assembly.



WARNING!

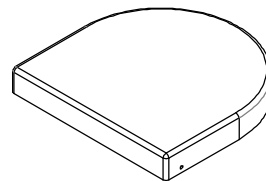
1. Don't attempt to repair or modify parts that are broken or defective. Please contact the store immediately.
2. This product is for home use only and not intended for commercial establishments.



ASSEMBLY TIME 35 MINUTES

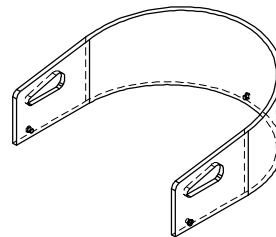
PARTS IDENTIFICATION

A SEAT CUSHION



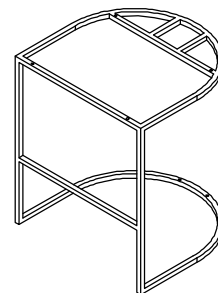
1PC

B ACRYLIC BACK FRAME



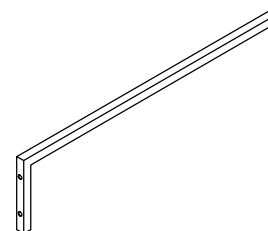
1PC

C STOOL BASE



1PC

D CROSSBAR




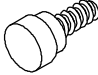



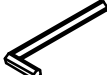


2PCS

ASSEMBLY INSTRUCTIONS

HARDWARE IDENTIFICATION

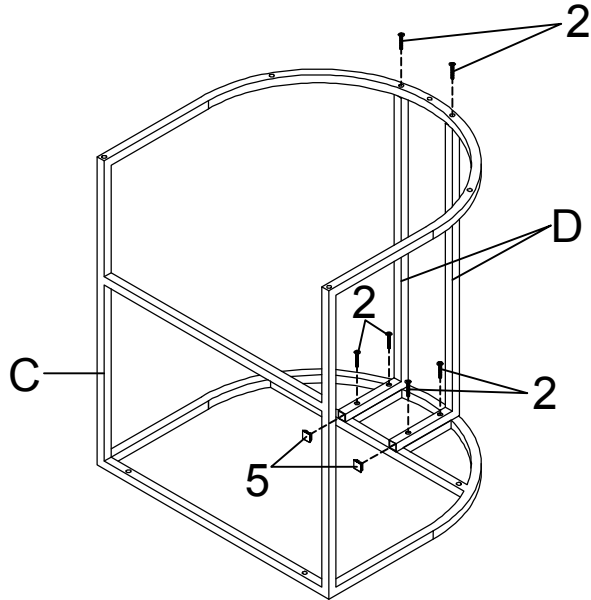
z

1	SHORT BOLT (1/4" x 21mm SR)		3PCS
2	MEDIUM BOLT (1/4" x 28mm SR)		10PCS
3	NUT (1/4")		3PCS
4	LEVELER (1/4" x 12mm BLK)		5PCS
5	CAP (16 x 16mm)		2PCS
6	WASHER (ϕ 16mm)		2PCS
7	PLASTIC WASHER (ϕ 19mm)		3PCS
8	ALLEN WRENCH (4mm)		1PC

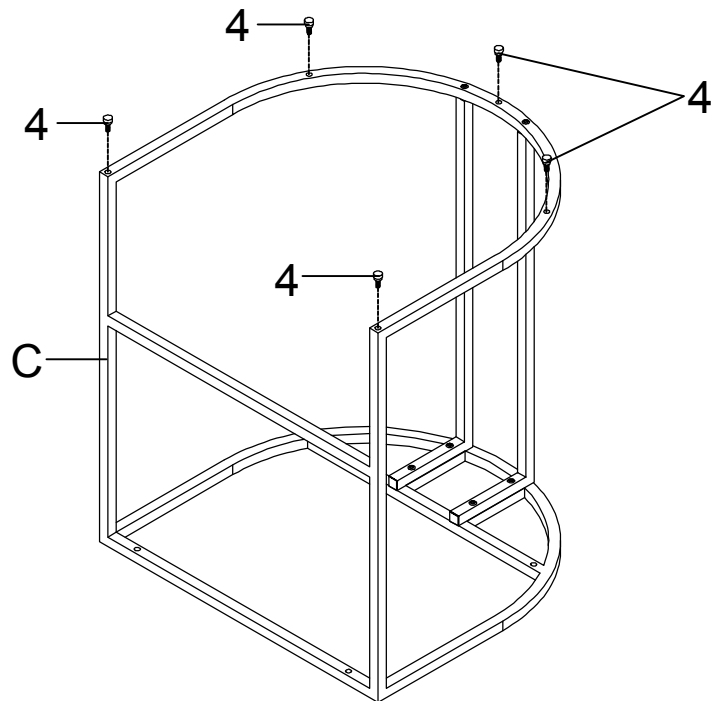
NOTE: QUANTITIES SHOWN ARE FOR ONE STOOL

ASSEMBLY INSTRUCTIONS

STEP 1 Do not tighten until each step is completed or instructed.

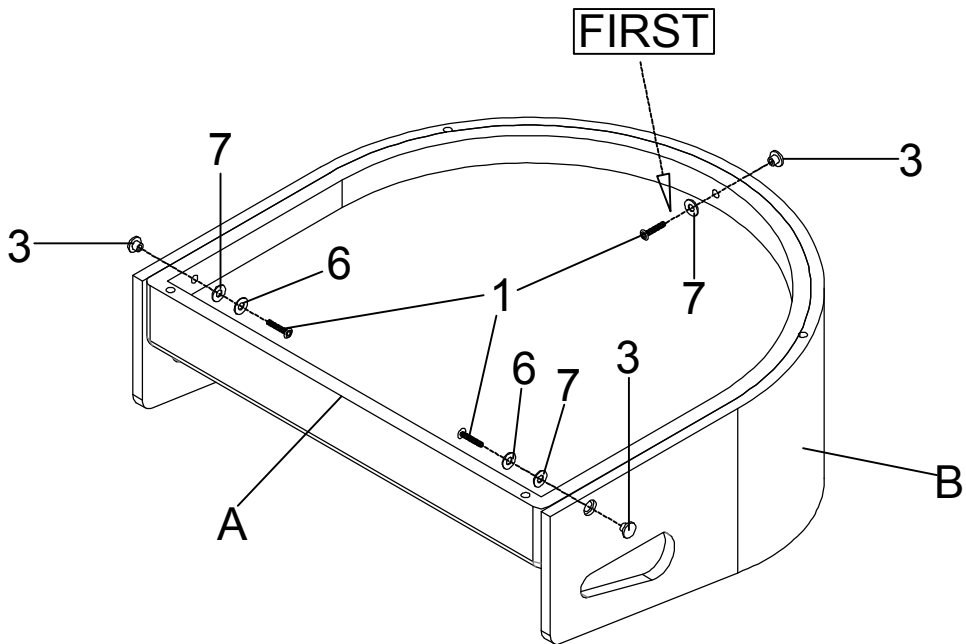


STEP 2

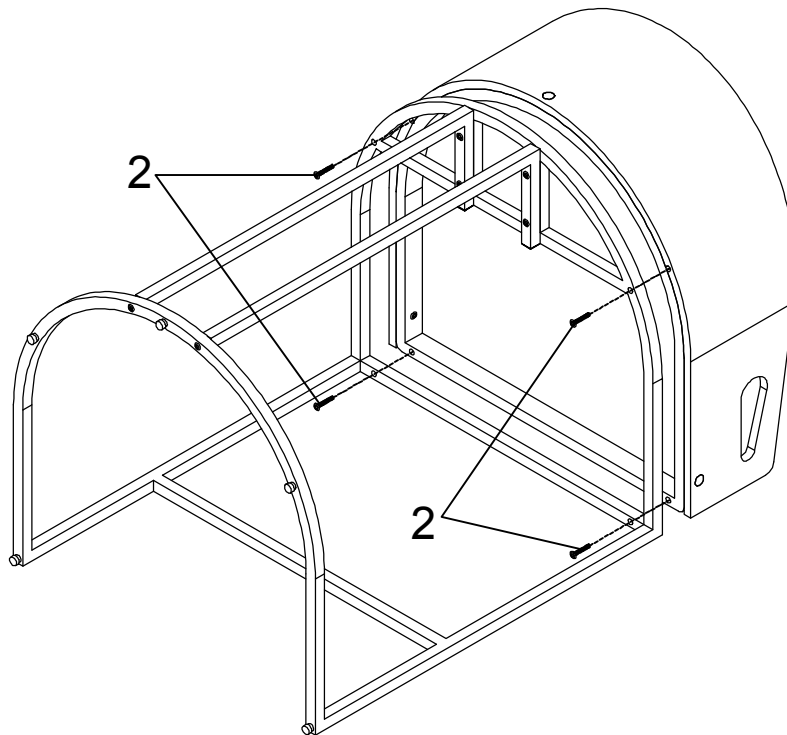


ASSEMBLY INSTRUCTIONS

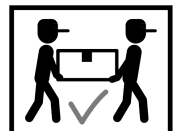
STEP 3



STEP 4



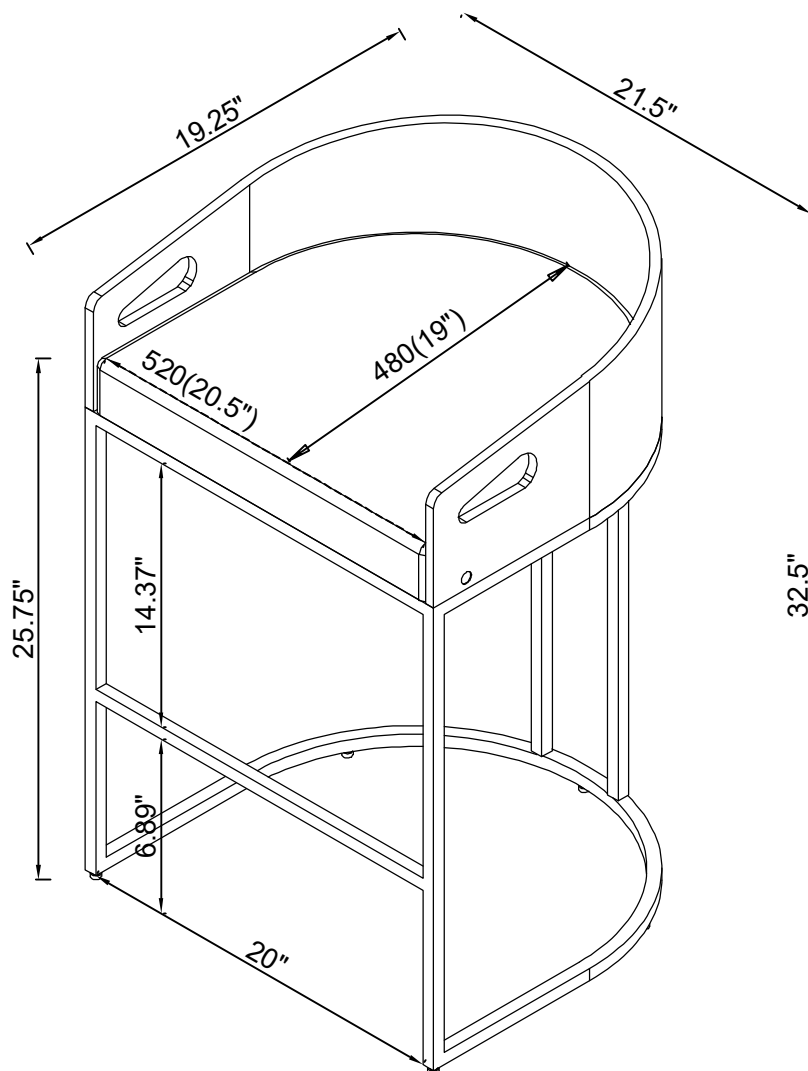
How to clean Acrylic product:
Using a dry soft microfiber cloth, lightly brush off any dust.
For additional care, dampen the cloth with warm water.
For deepest cleaning, use an Acrylic cleaner.



ASSEMBLY INSTRUCTIONS

Product Size : 546 X 489 X 826 H (MM)

Product Size : 21.5" X 19.25" X 32.5"



Note : Dimension tolerance $\pm 5\%$