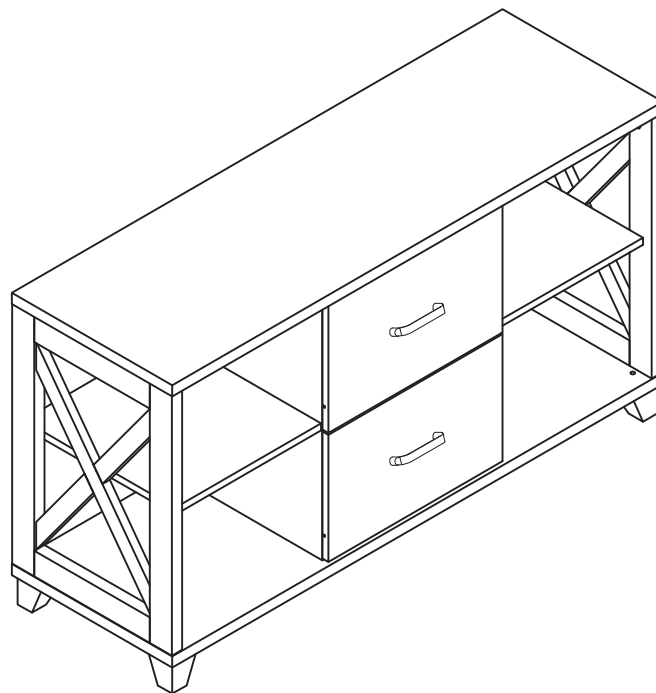




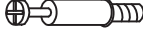




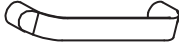







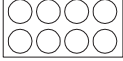


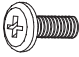

TV Stand With 2 Drawers



ASSEMBLY INSTRUCTIONS

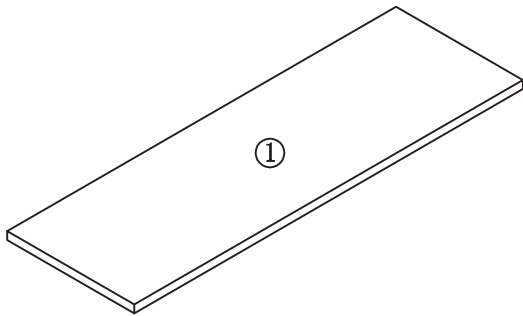
We have designed our furniture with you , the customer in mind . Our clear , easy to follow , step by step instructions will guide you through the project from start to finish . Feel confident that this will be a fun and rewarding project . The final product will be a quality piece of furniture that will go together smoothly and give years of enjoyment .

Hardware List

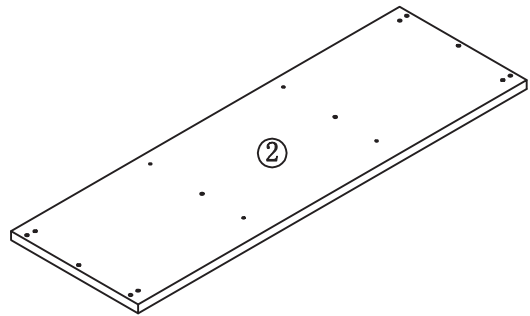
A  L29	B  ø15	C  L20	D  ø12
Large Cambolt (8pcs)	Large Camlock (8pcs)	Small Cambolt (8pcs)	Small Camlock (8pcs)
E  ø8x25	F  ø4x30	G  ø4x45	H 
Dowel (12pcs)	Small Screw (8pcs)	Large Screw (4pcs)	Handle (2pcs)
I  M4X22	J  M8X35	K  Ø16xØ8x2	L  M5
Handle Screw (4pcs)	Allen Screw (4pcs)	Washer (8pcs)	Allen Wrench (1pc)
M  ø7x48	N  ø5	O  Nail (60pcs)	P  ø22
Wood Screw (4pcs)	Shelf Pin (8pcs)	Nail (60pcs)	Sticker (8pcs)
Q  ø16	R  80x25x62	S  M6X12	T  Glue(1pc)
Foot Pin (4pcs)	Metal Leg (1pc)	Flathead Screw (2pcs)	Glue: For securing please apply to wood dowel first before inserting into panel

Please count and verify all parts before assembly.

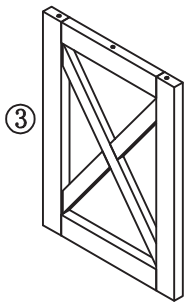
Panel List



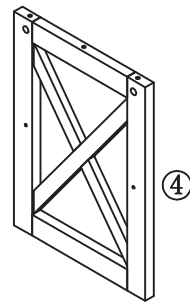
Top(1pc)



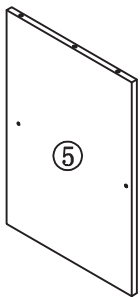
Bottom Panel(1pc)



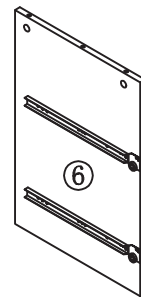
Left Side Frame(1pc)



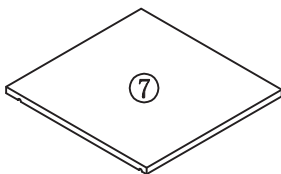
Right side frame(1pc)



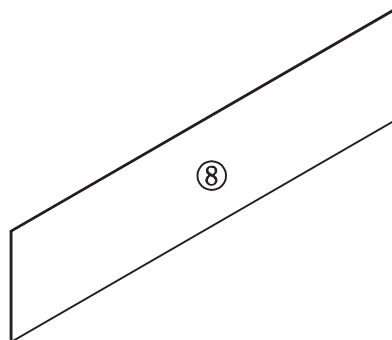
Left Inside Side Panel(1pc)



Right Inside Side Panel(1pc)



Shelf(2pcs)



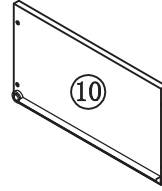
Back Panel(2pcs)

Please count and verify all parts before assembly.

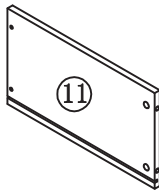
Panel List



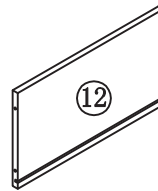
Leg(4pcs)



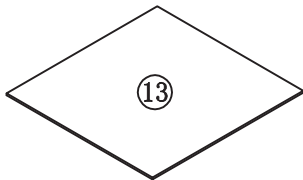
Left Drawer Side Panel(2pcs)



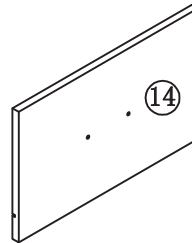
Right Drawer Side Panel(2pcs)



Drawer Back Panel(2pcs)



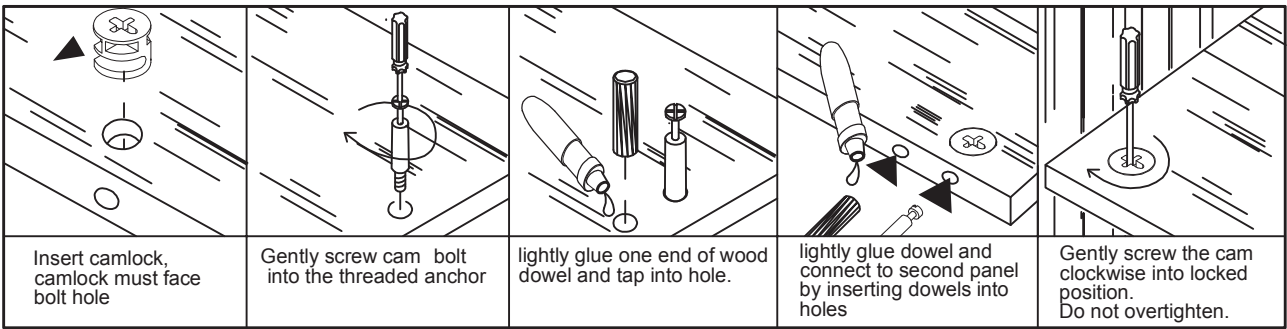
Drawer Bottom Panel(2pcs)



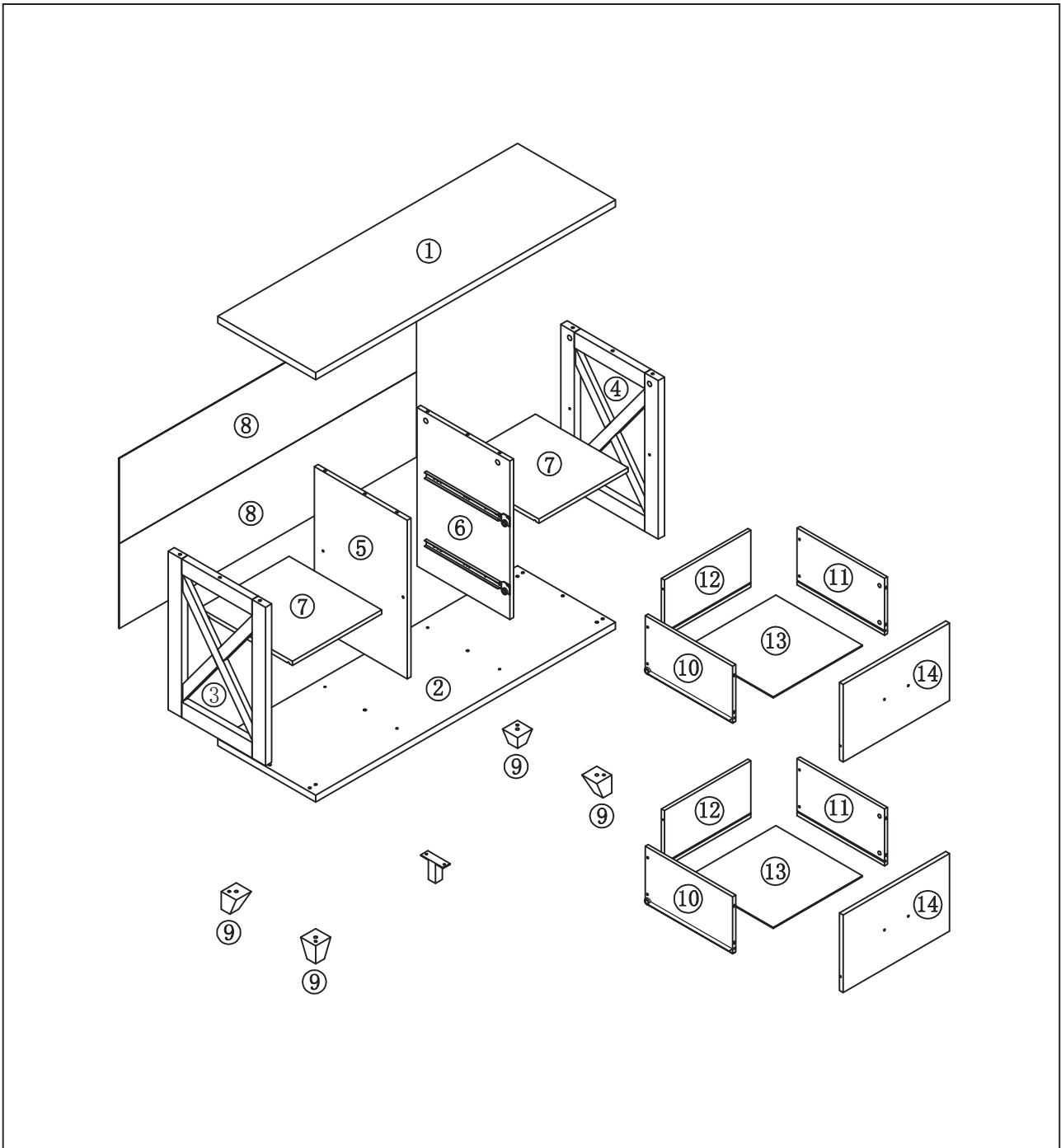
Drawer Front Panel(2pcs)

Please count and verify all parts before assembly.

Assembling the unit with camlocks and wood dowels.



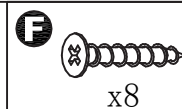
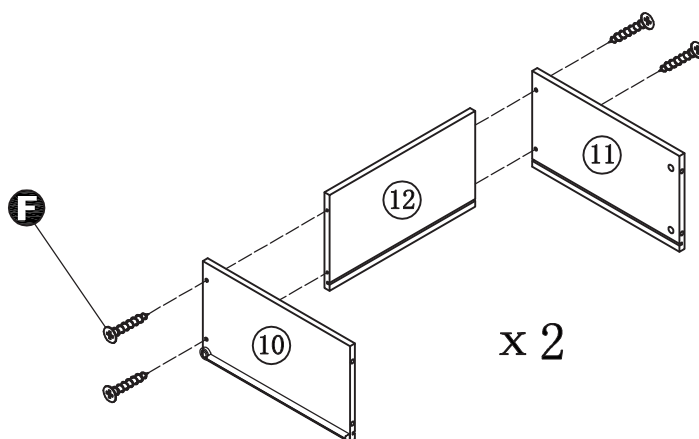
Exploded Views



Step1

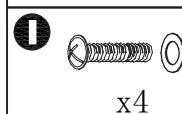
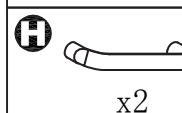
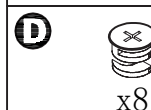
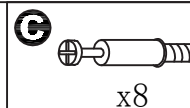
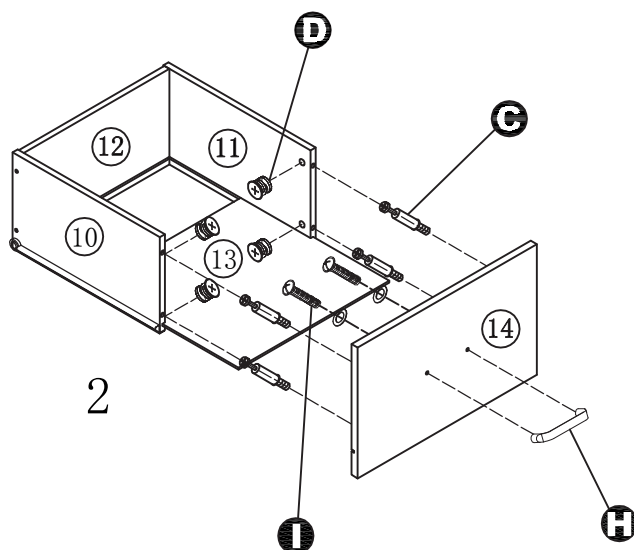
Note: * Place item on a smooth/soft surface such as a towel or carpet.

1. Attach left drawer side panel(10)and right drawer side panel(11) to drawer back panel(12) using small screws(F)as shown.
2. Repeat step 1 for second drawer.



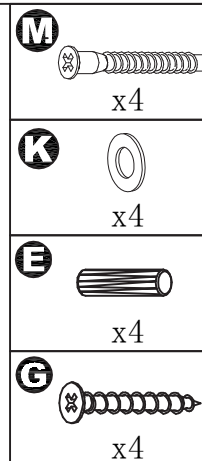
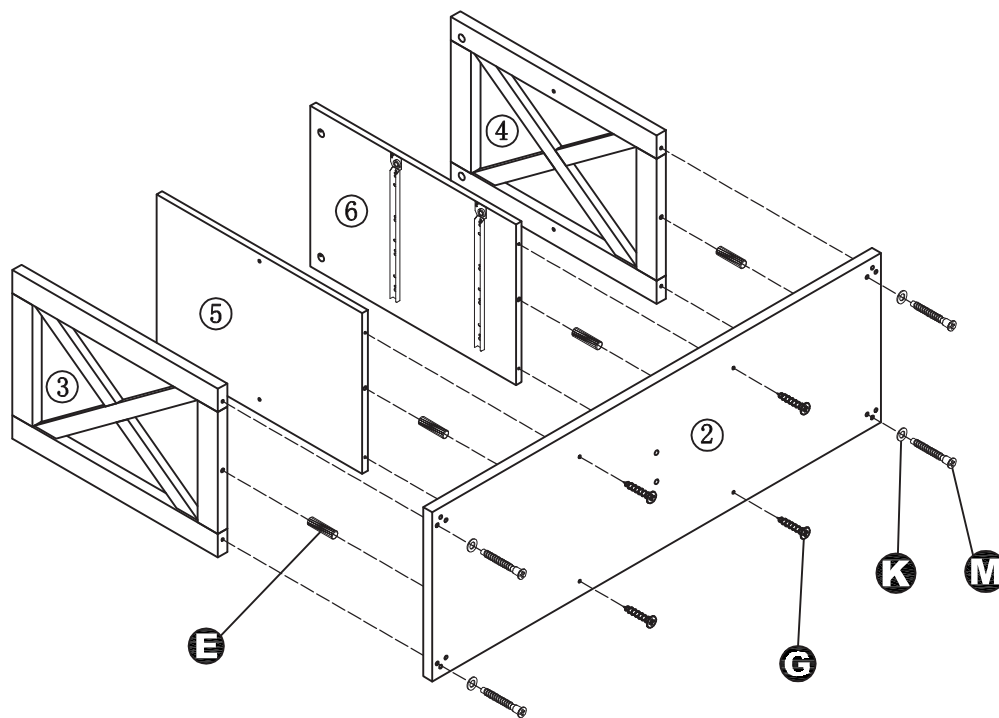
Step2

1. Slide drawer bottom panel(13) into grooves of drawer side panels(10,11)and drawer back panel(12).
2. Screw small cambolts(C) into drawer front panel(14).Attach drawer front panel(14) to drawer assembly by using small camlocks(D) and gently tighten.
3. Attach handle(H)to drawer front panel(14) using handle screws(I).
4. Repeat step 1,2,3 for second drawer.



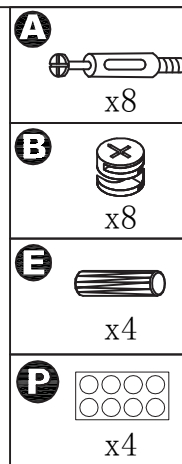
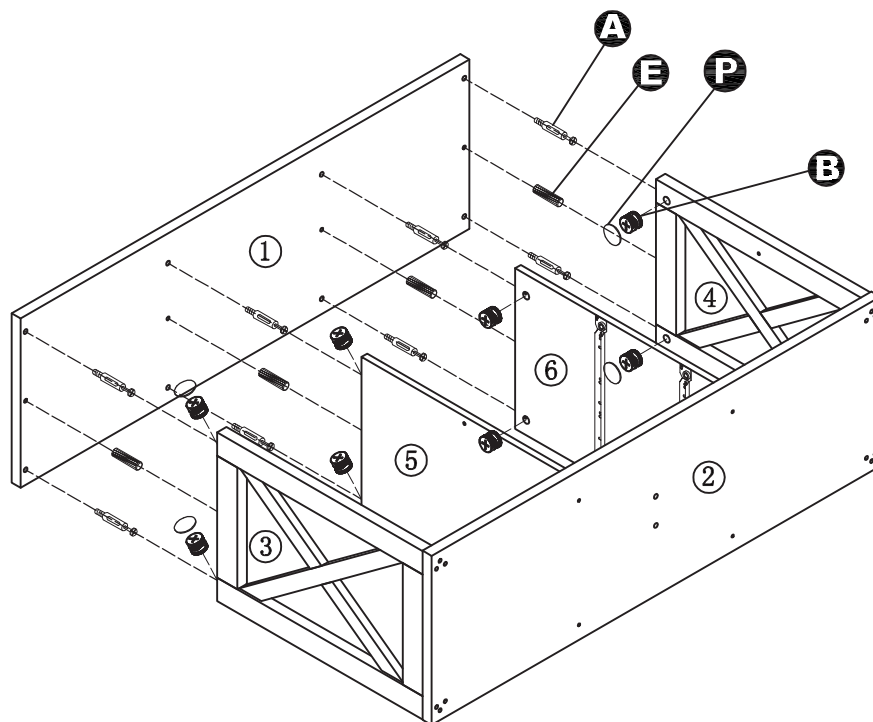
Step3

1. Insert dowels (E) into panels (3, 4, 5, 6)
2. Attach bottom panel (2) to panels (3, 4, 5, 6) using wood screws (M), washers (K) and large screws (G) as shown.



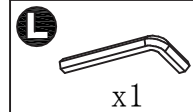
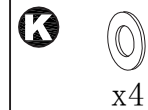
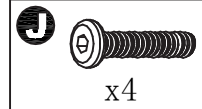
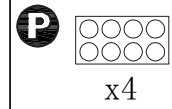
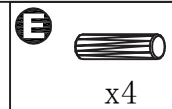
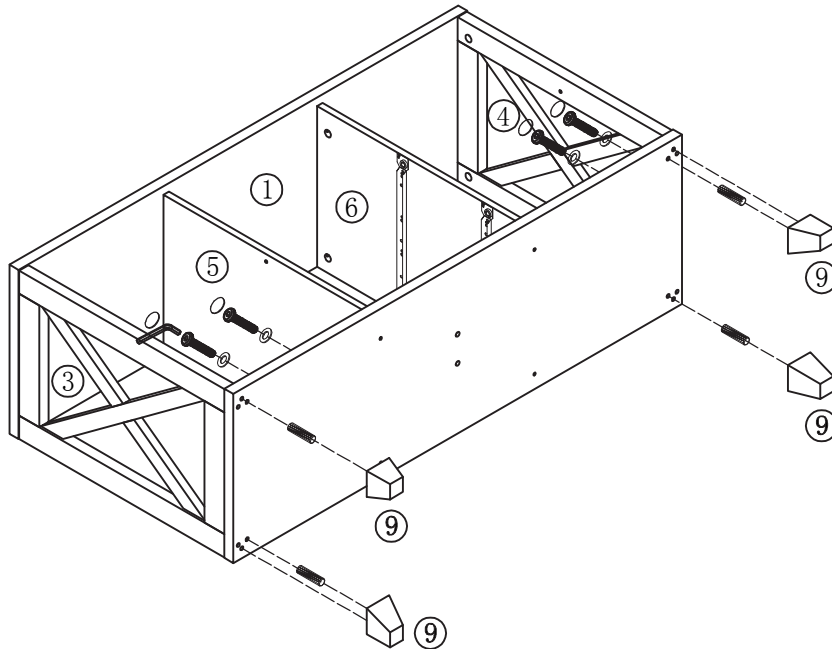
Step4

1. Screw large cambolts (A) and insert dowels (E) into top panel (1).
2. Attach top panel (1) to cabinet body using large camlocks (B) and gently tighten.
3. Place stickers (P) over holes.



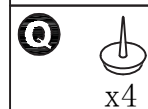
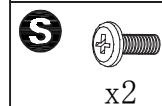
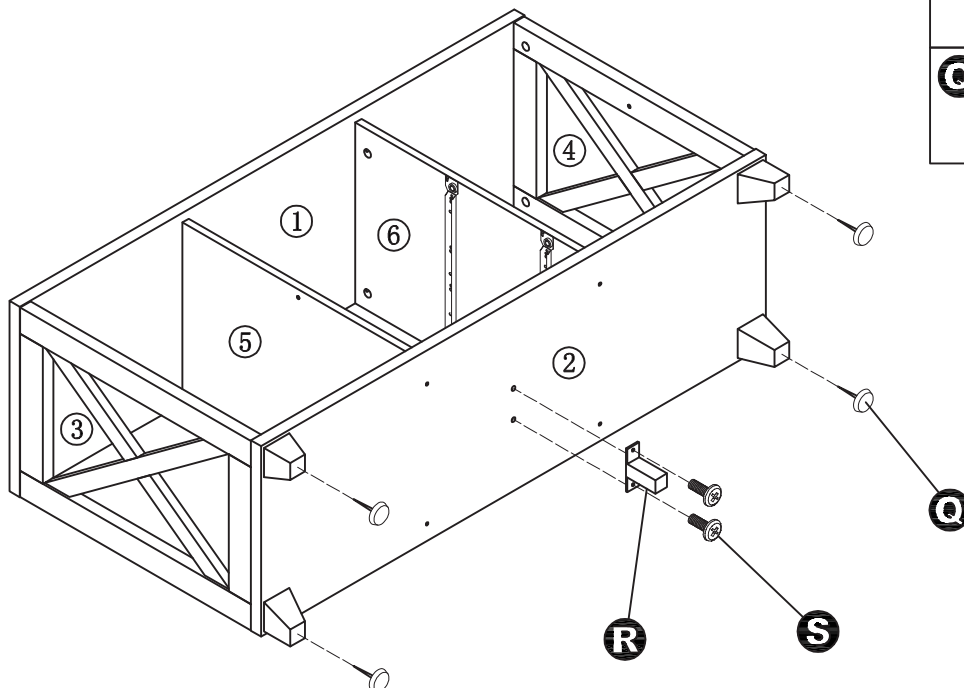
Step5

1. Insert dowels(E)into bottom panel(2)
2. Attach legs(9) to bottom panel(2)using washers(K), allen screws(J)and gently tighten with allen wrench(L) as shown.
3. Place stickers(P) over holes.



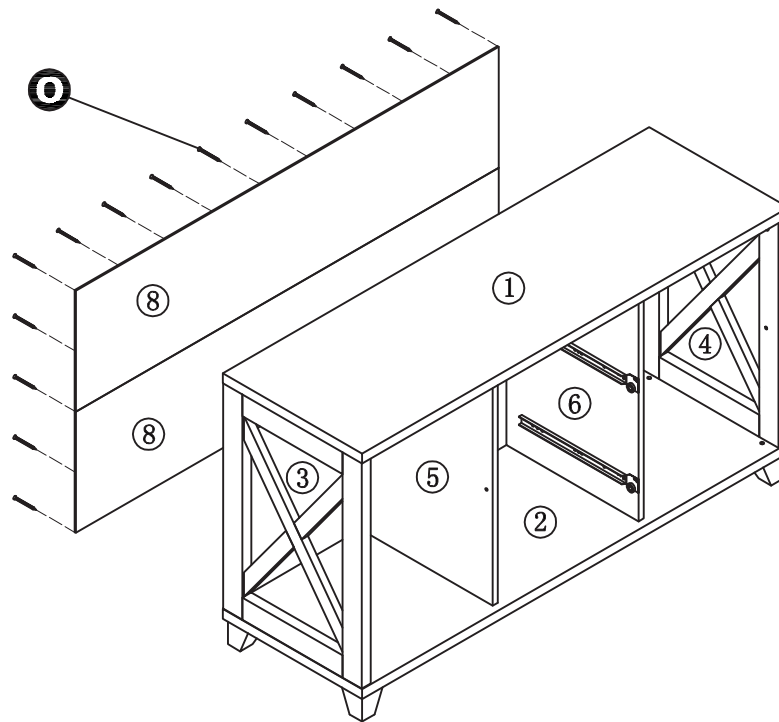
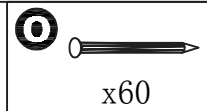
Step6

1. Attach metal leg(R) to bottom panel(2) using flat head screws (S).
2. Knock foot pins(Q)onto legs(9).



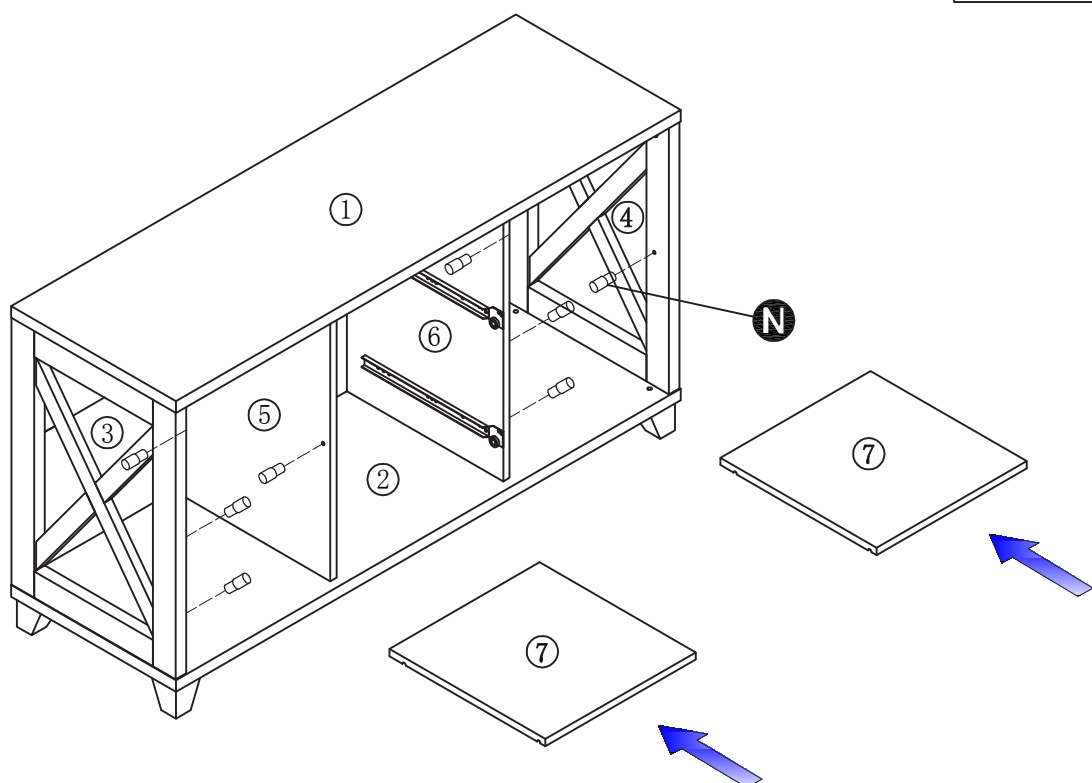
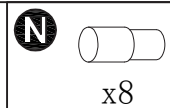
Step 7

1. Attach back panels(8) to cabinet body by using nails(0) as shown.



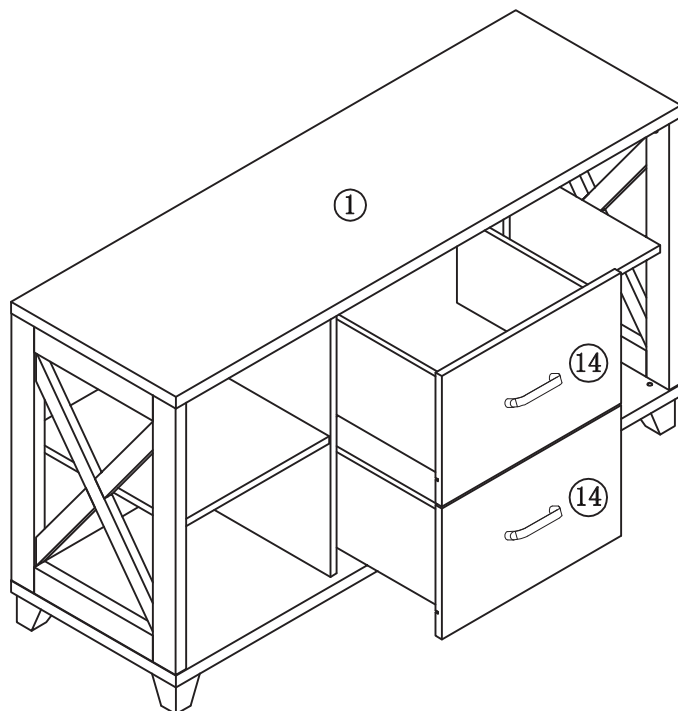
Step 8

1. Insert shelf pins(8) into side panels(3, 4, 5, 6) as shown. Place shelves(7) onto shelf pins(8)



Step9

1. Slide both drawers into cabinet body.



Step10

Enjoy your Oxford Deluxe TV Stand With 2 Drawers!

