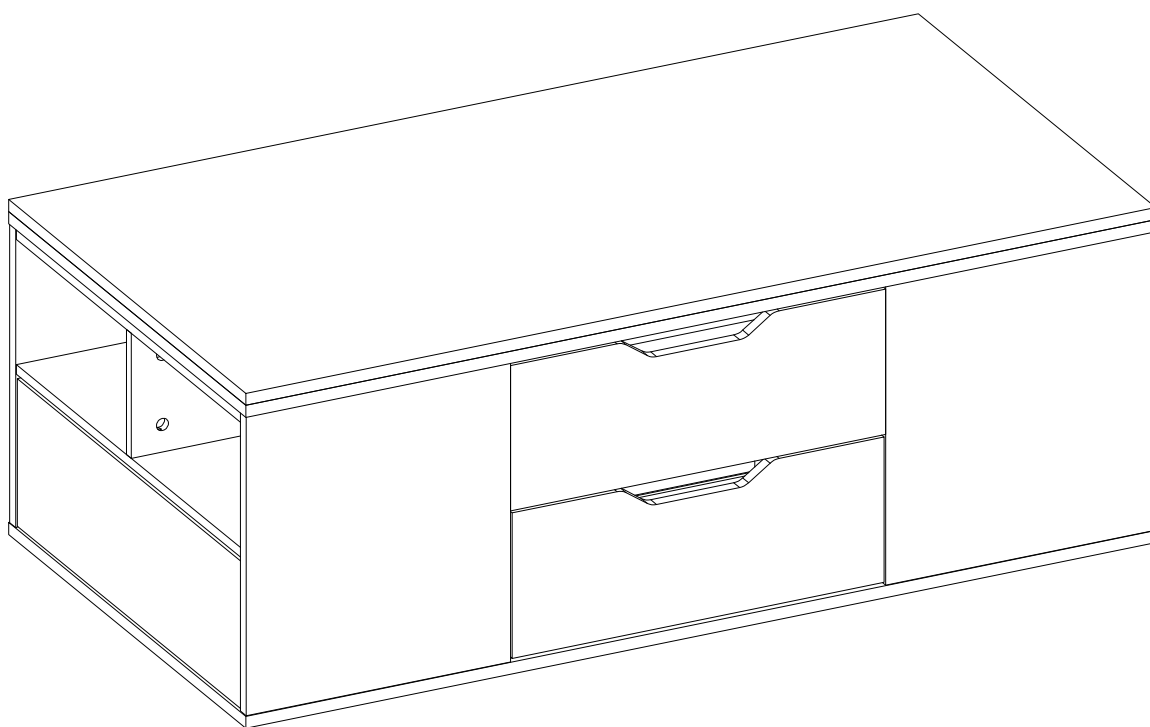
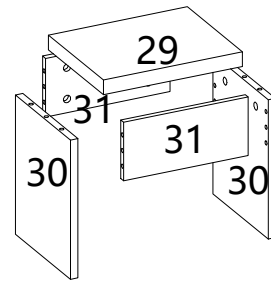
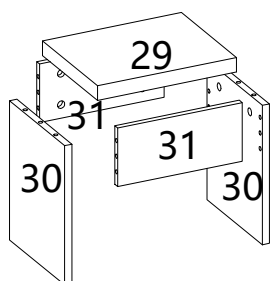
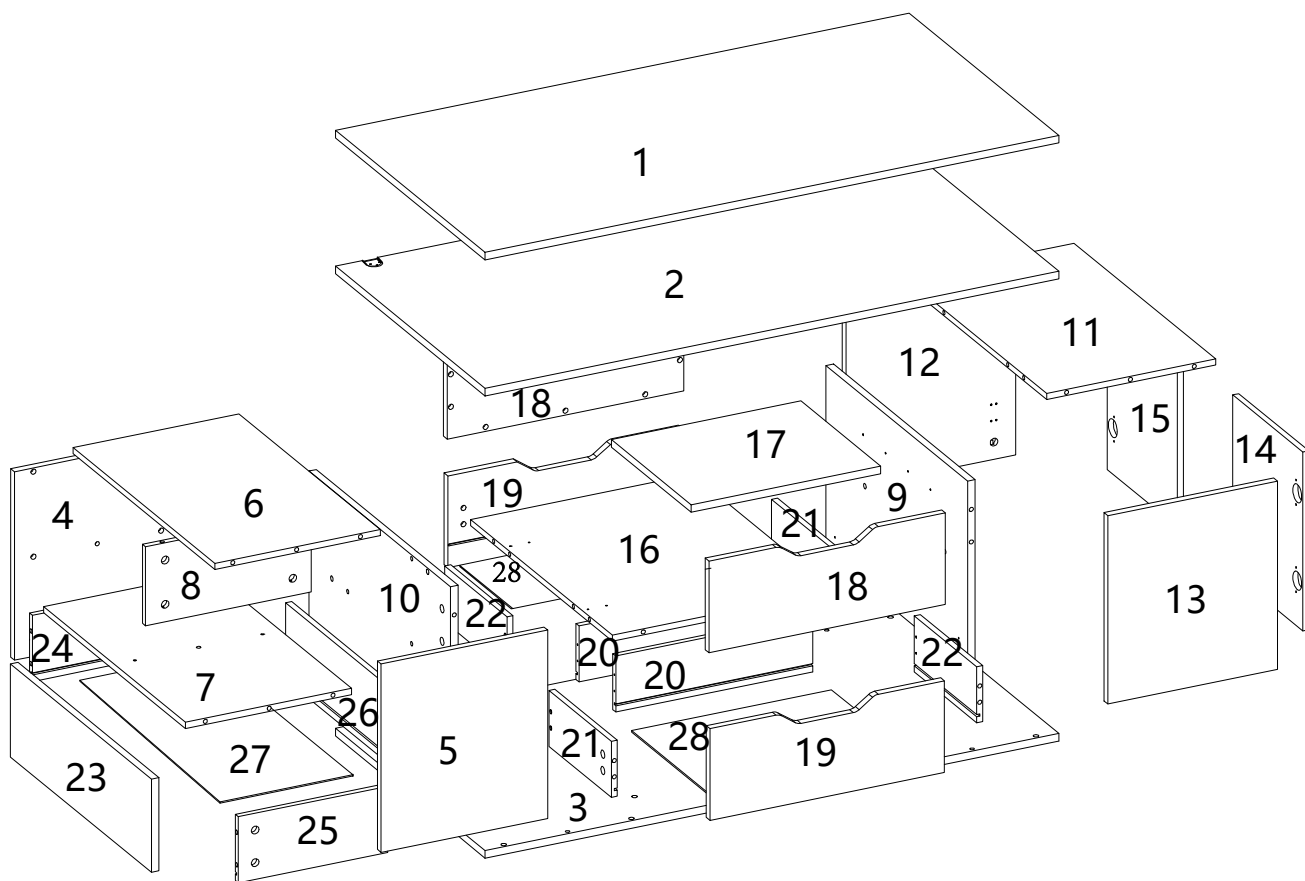
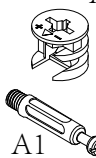

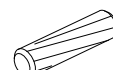
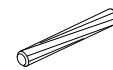
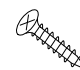
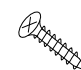


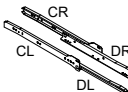
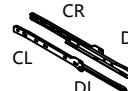








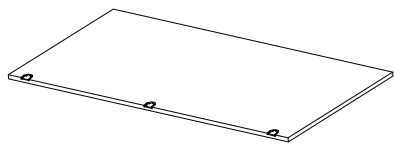
# Installation & Assembly





<p><b>A</b> A2</p>  <p>A1</p> <p>58PCS</p>	<p><b>B</b> B2</p>  <p>B1</p> <p>28PCS</p>	<p><b>C</b></p>  <p>∅8*30mm 36PCS</p>	<p><b>D</b></p>  <p>∅8*50mm 2PCS</p>	<p><b>E</b></p>  <p>M3.5*12mm 108PCS</p>	<p><b>F</b></p>  <p>M3.5*14mm 20PCS</p>	<p><b>G</b></p>  <p>M3.5*30mm 12PCS</p>	<p><b>H</b></p>  <p>1PC</p>	<p><b>I</b></p>  <p>CR CL DR DL</p> <p>L=250mm 2PCS</p>
<p><b>J</b></p>  <p>CR DR CL DL</p> <p>L=300mm 1PC</p>	<p><b>K</b></p>  <p>4PCS</p>	<p><b>L</b></p>  <p>3PCS</p>	<p><b>M</b></p>  <p>R L 1PC</p>	<p><b>N</b></p>  <p>5PCS</p>	<p><b>O</b></p>  <p>2PCS</p>	<p><b>P</b></p>  <p>86PCS</p>		

1

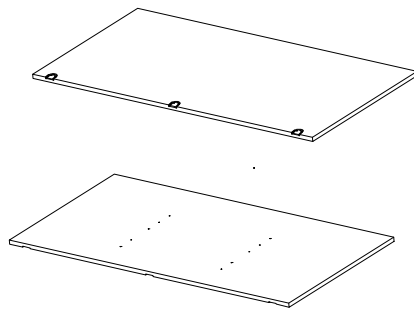


1150\*600\*15mm

1PC

2

one side



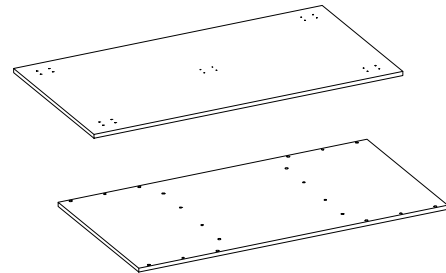
the other side

1150\*600\*15mm

1PC

3

one side

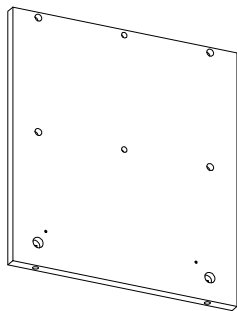


the other side

1150\*600\*15mm

1PC

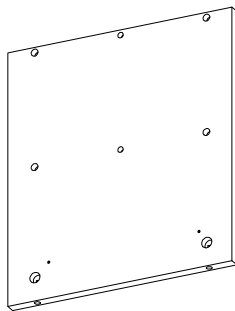
4



370\*337\*15mm

1PC

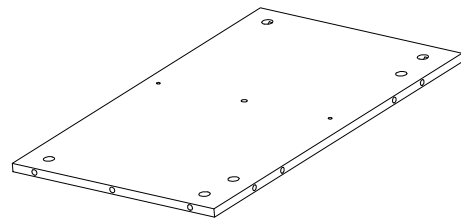
5



370\*337\*15mm

1PC

6

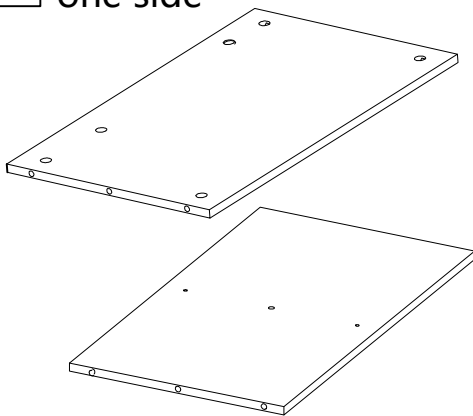


336\*568\*12mm

1PC

7

one side

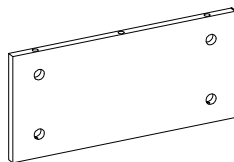


the other side

336\*568\*12mm

1PC

8

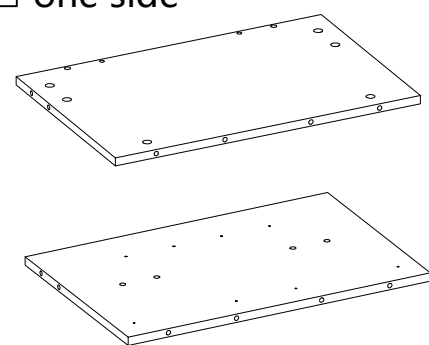


155\*335\*12mm

1PC

9

one side



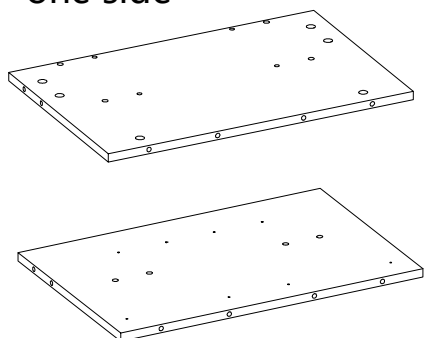
the other side

370\*568\*15mm

1PC

10

one side

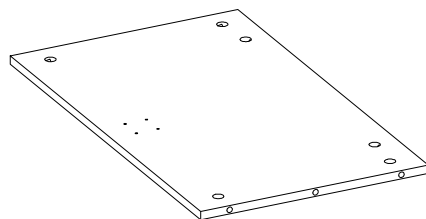


the other side

370\*568\*15mm

1PC

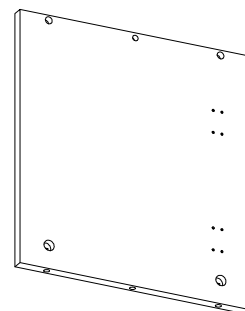
11



336\*568\*12mm

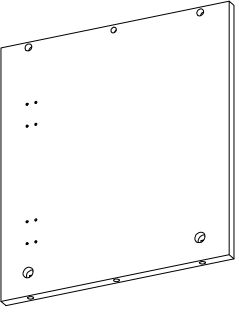
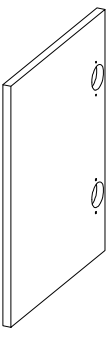
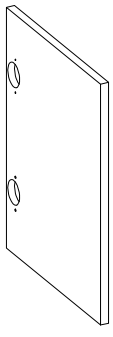
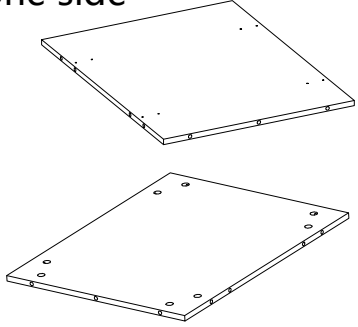
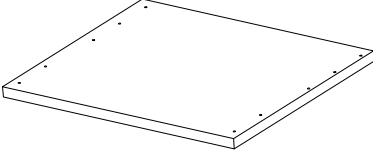
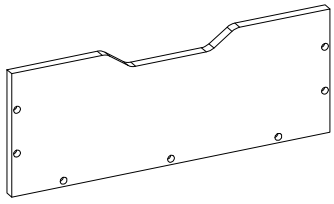
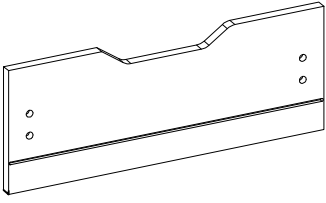
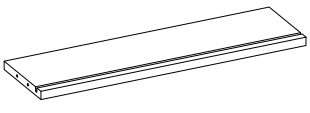
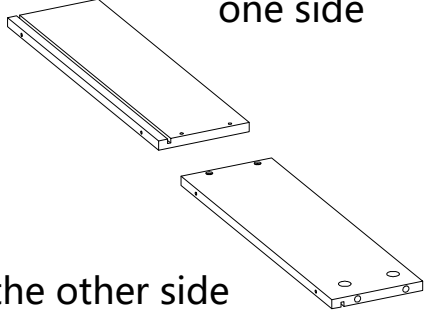
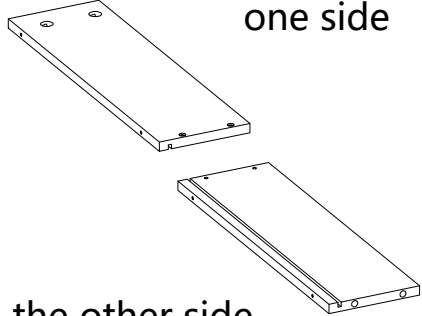
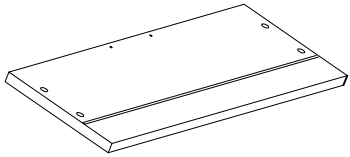
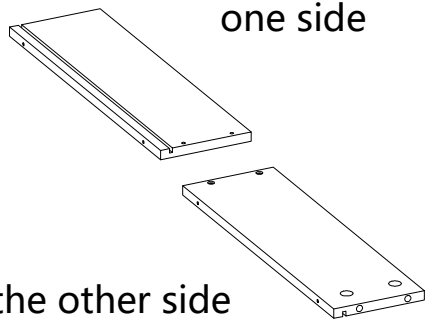
1PC

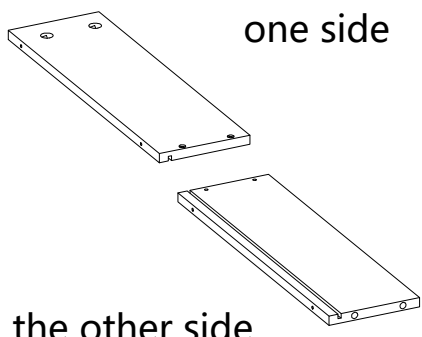
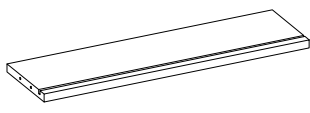
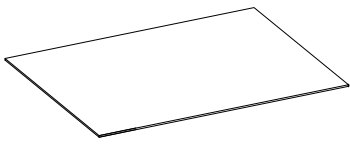
12

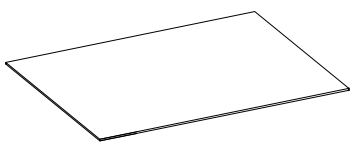
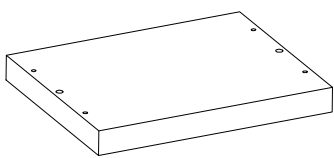
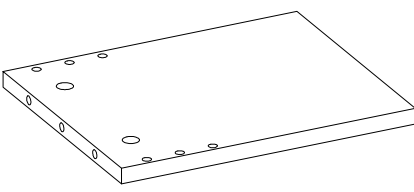


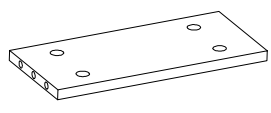
370\*337\*15mm

1PC

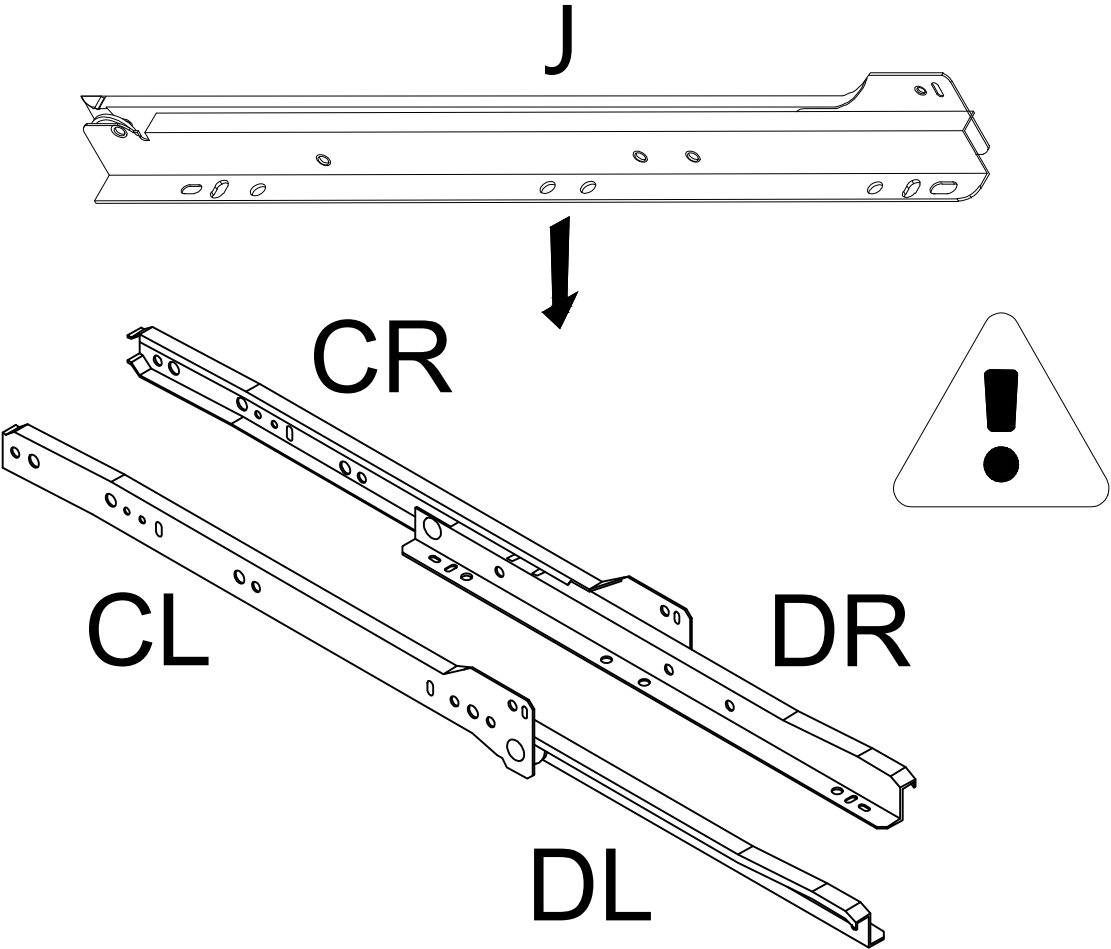
<p>13</p>  <p>370*337*15mm 1PC</p>	<p>14</p>  <p>351.5*280.5*12mm 1PC</p>	<p>15</p>  <p>351.5*280.5*12mm 1PC</p>
<p>16 one side</p>  <p>the other side</p> <p>444*568*12mm 1PC</p>	<p>17</p>  <p>380*320*15mm 1PC</p>	<p>18</p>  <p>474*180*15mm 2PCS</p>
<p>19</p>  <p>470*180*15mm 2PCS</p>	<p>20</p>  <p>395*110*12mm 2PCS</p>	<p>21</p>  <p>one side</p> <p>the other side</p> <p>250*110*12mm 2PCS</p>
<p>22</p>  <p>one side</p> <p>the other side</p> <p>250*110*12mm 2PCS</p>	<p>23</p>  <p>564*183*15mm 1PC</p>	<p>24</p>  <p>one side</p> <p>the other side</p> <p>300*130*12mm 1PC</p>

<p>25</p>  <p>one side</p> <p>the other side</p> <p>300*130*12mm 1PC</p>	<p>26</p>  <p>519*130*12mm 1PC</p>	<p>27</p>  <p>529*297*3mm 1PC</p>
--	---	--

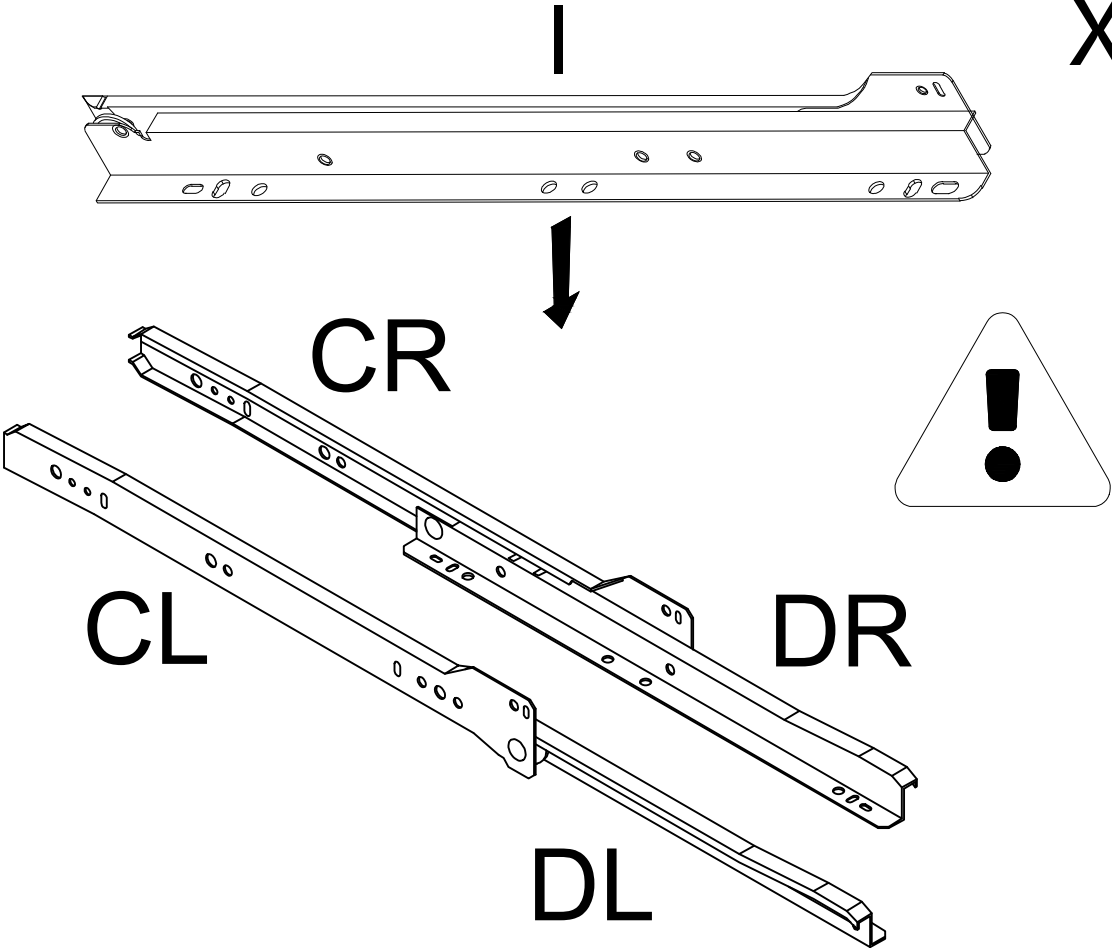
<p>28</p>  <p>405*247*3mm 2PCS</p>	<p>29</p>  <p>230*290*35mm 2PCS</p>	<p>30</p>  <p>285*228*15mm 4PCS</p>
---	--	--

<p>31</p>  <p>258*120*12mm 4PCS</p>		
--	--	--

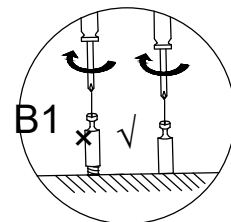
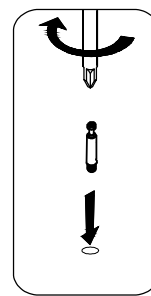
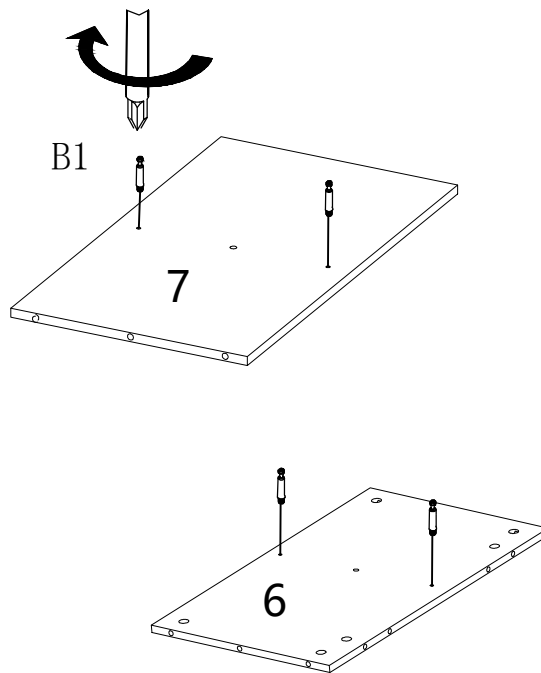
X1




X2

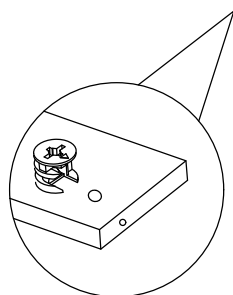
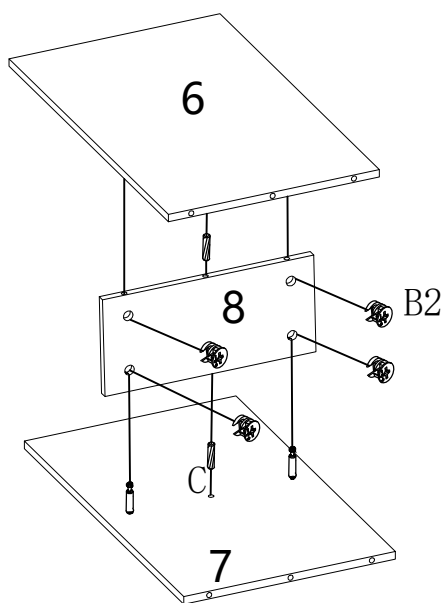


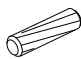

# STEP 1



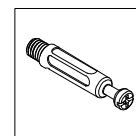
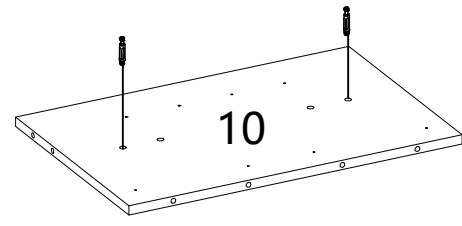
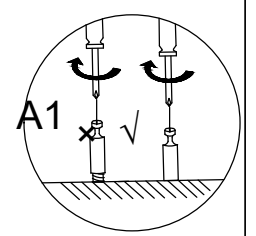
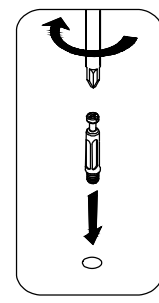
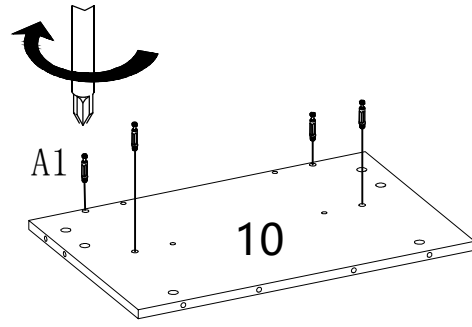
	B1 × 4PCS
---	-----------

# STEP 2



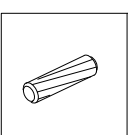
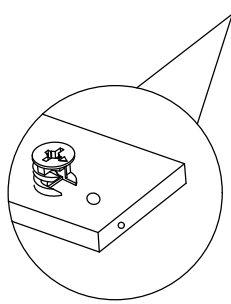
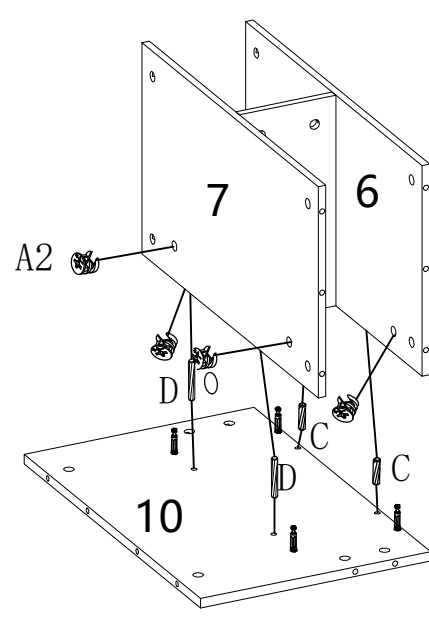
	C × 2PCS
	B2 × 4PCS

# STEP 3

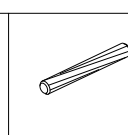


A1 × 6PCS

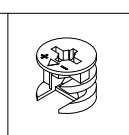
# STEP 4



C × 2PCS

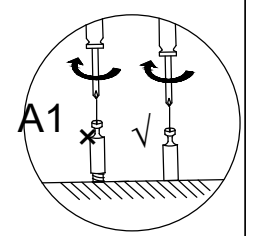
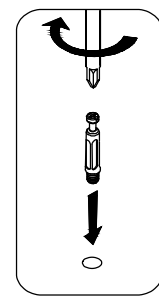
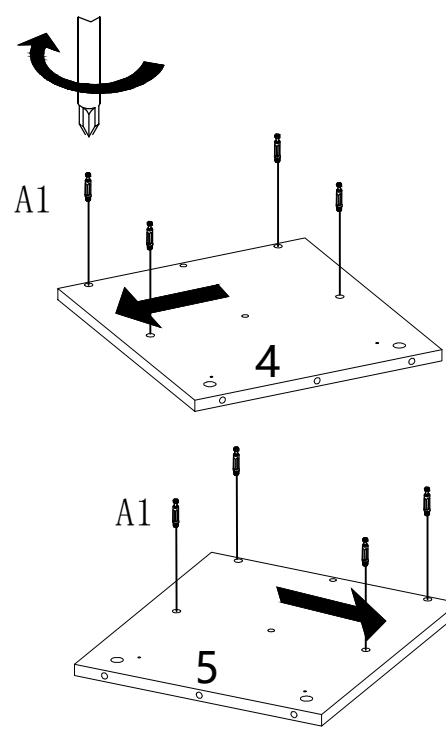


D × 2PCS



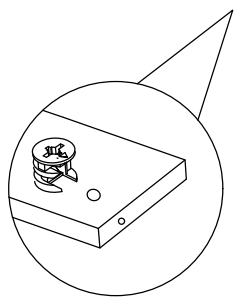
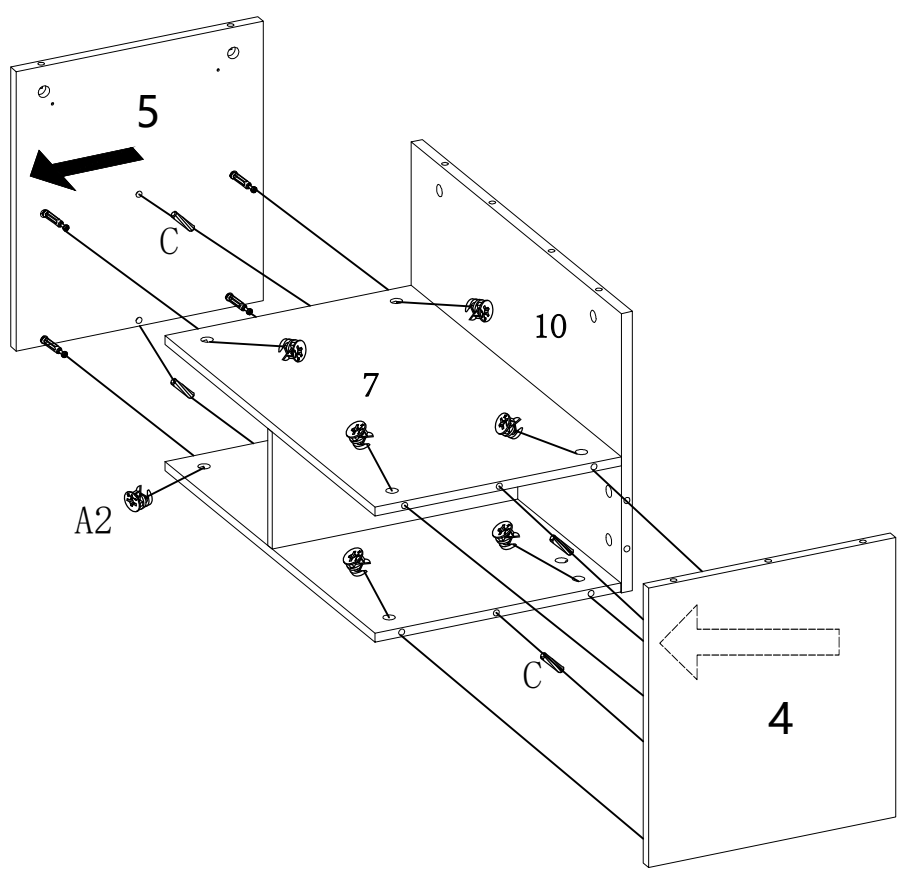
A2 × 4PCS

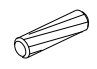

# STEP 5



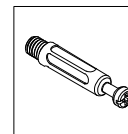
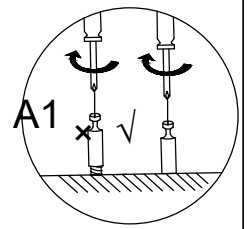
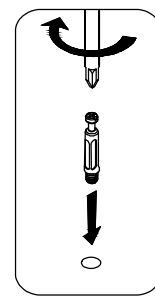
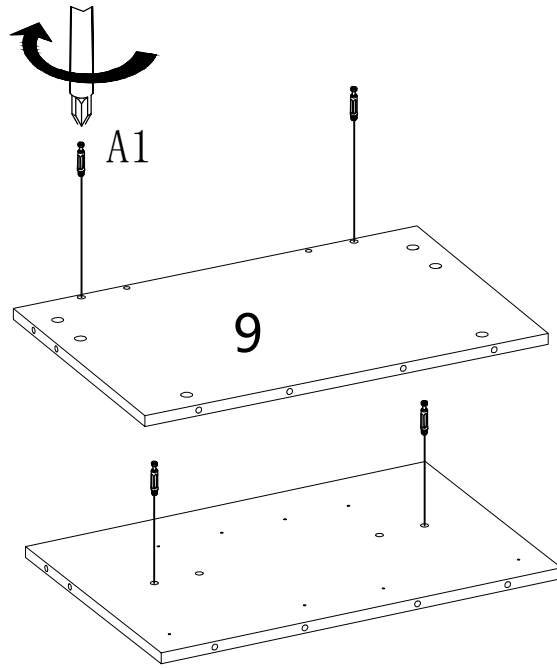
	A1 × 8PCS
---	-----------

# STEP 6



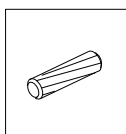
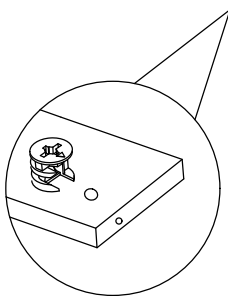
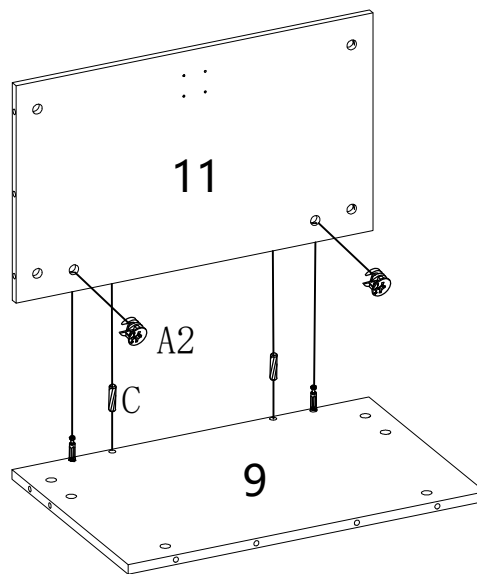
	C × 4PCS		A2 × 8PCS
---	----------	---	-----------

# STEP 7



A1 × 4PCS

# STEP 8

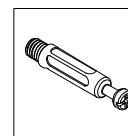
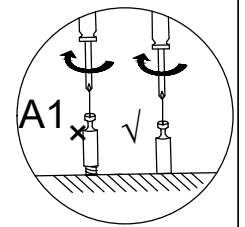
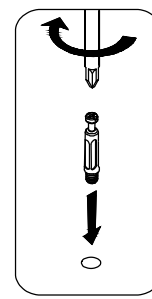
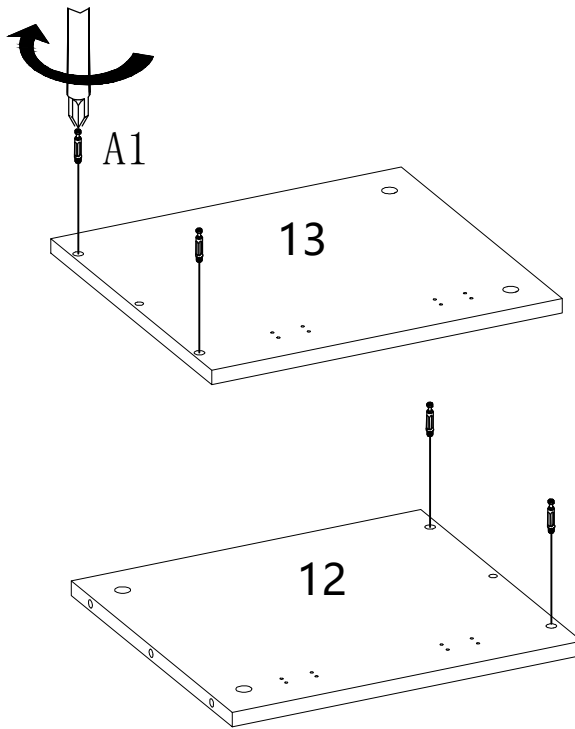


C × 2PCS



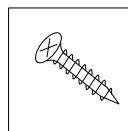
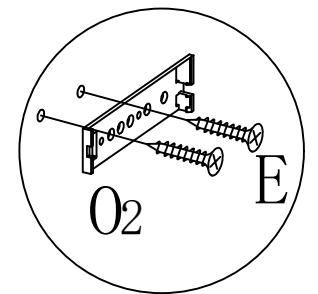
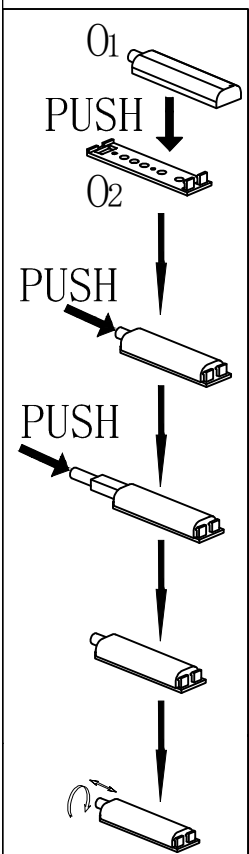
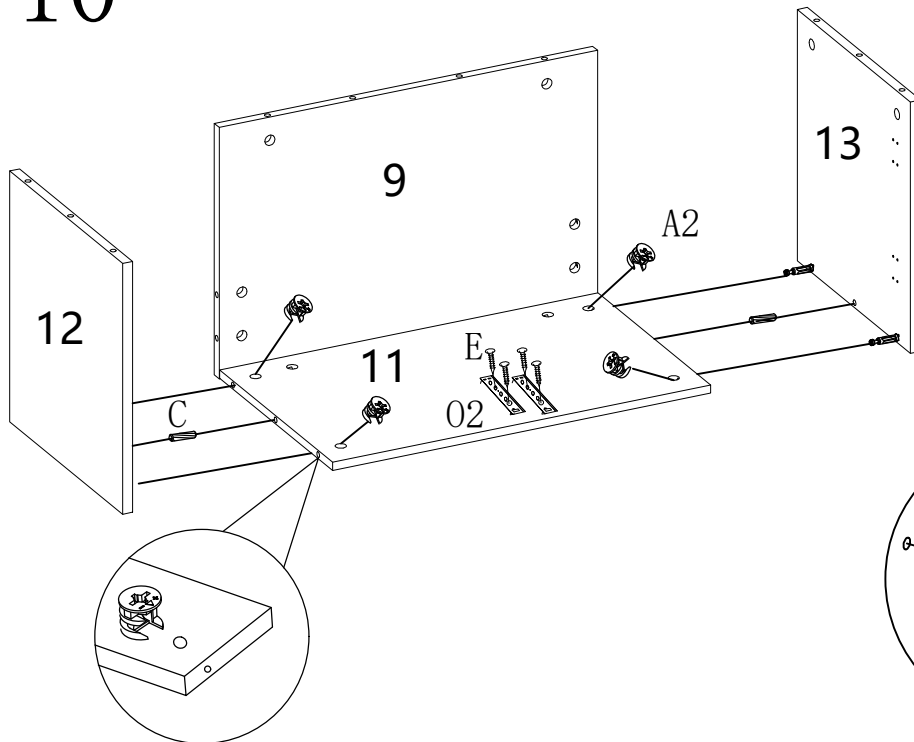
A2 × 2PCS

# STEP 9

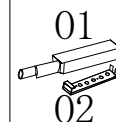


A1 × 4PCS

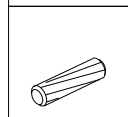
# STEP 10



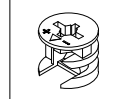
E × 4PCS



O × 2PCS

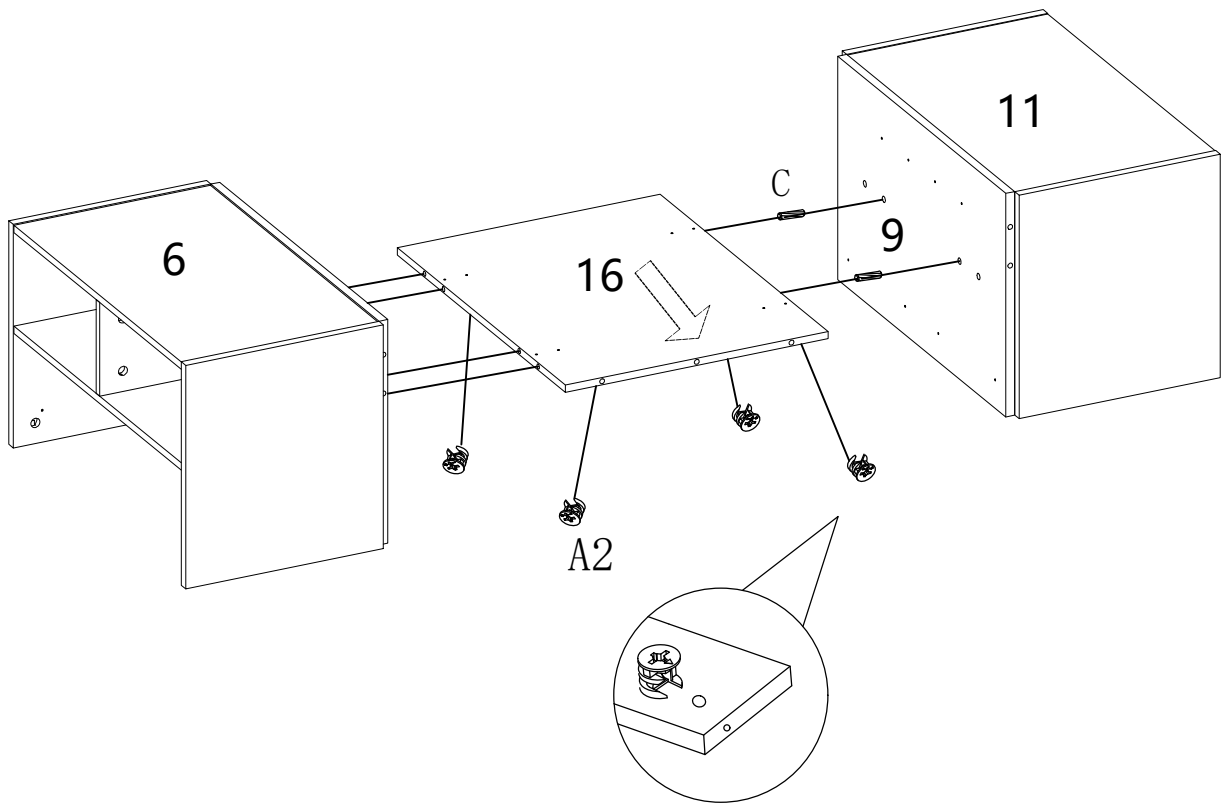


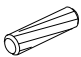

C × 2PCS



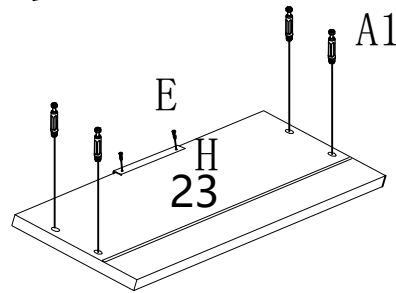
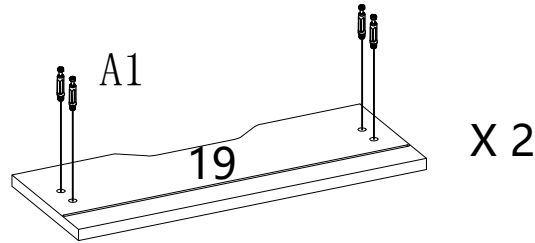
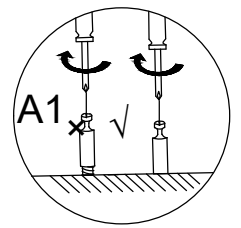
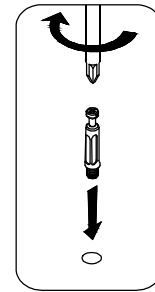
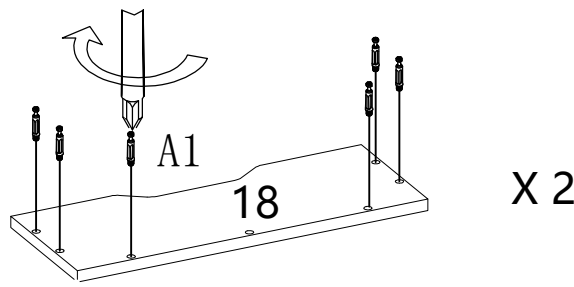
A2 × 4PCS

# STEP 11



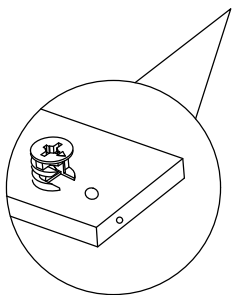
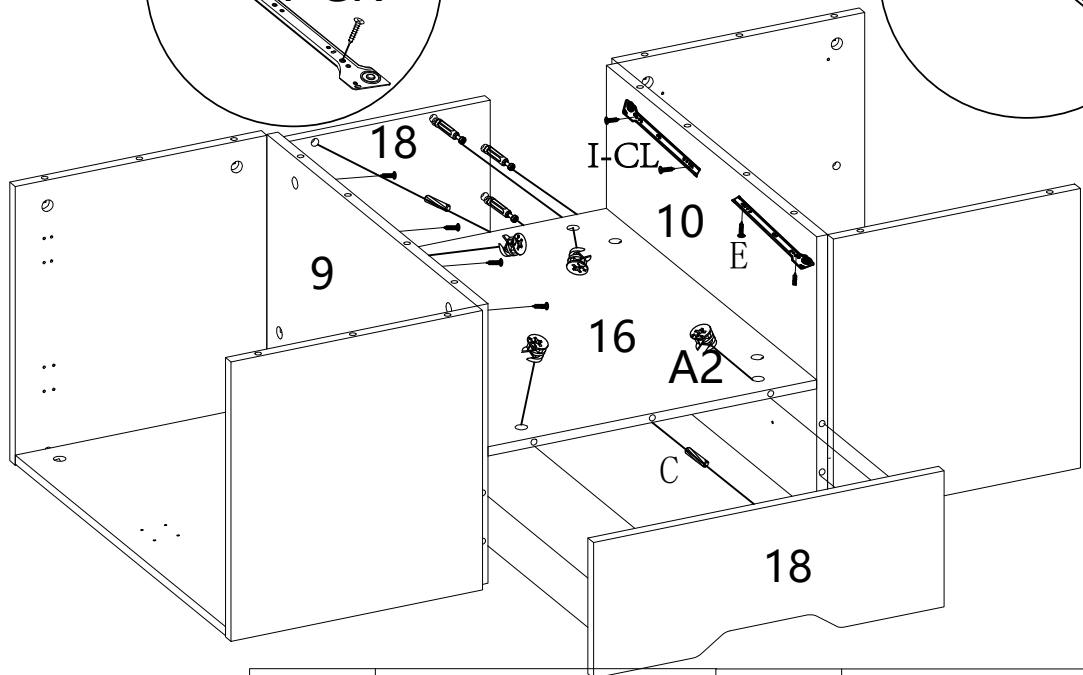
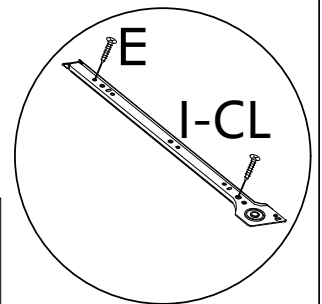
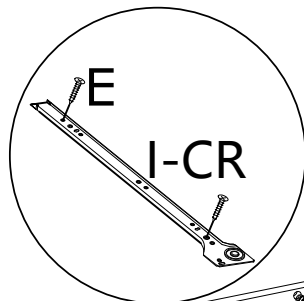
	C × 2PCS		A2 × 4PCS
---	----------	---	-----------

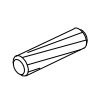
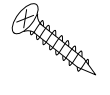


# STEP 12



	E × 2PCS		H × 1PC		A1 × 24PCS
---	----------	---	---------	---	------------

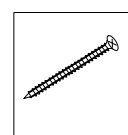
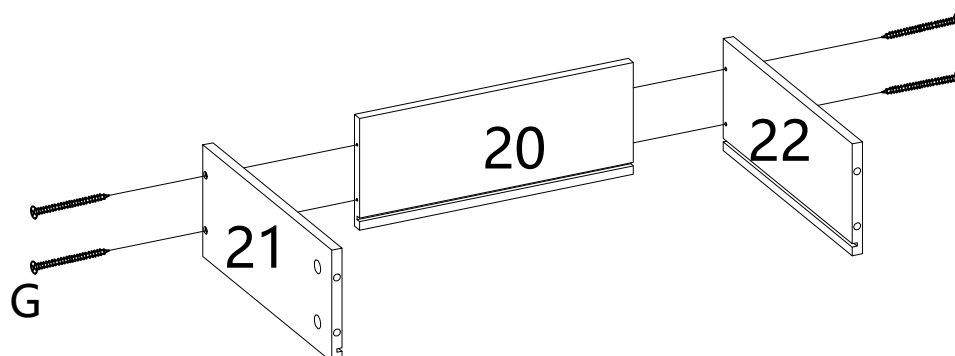
# STEP 13



	C × 2PCS		E × 8PCS		A2 × 12PCS
					I-CL × 2PCS

STEP 14

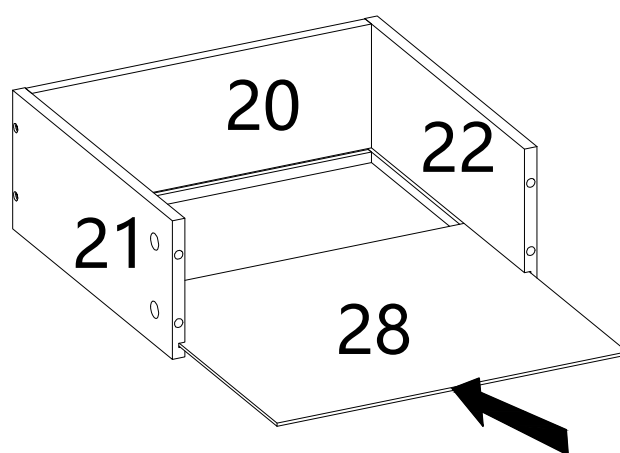
X 2



G × 8PCS

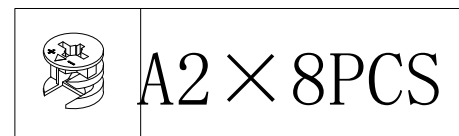
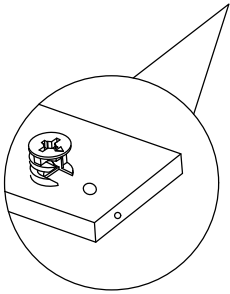
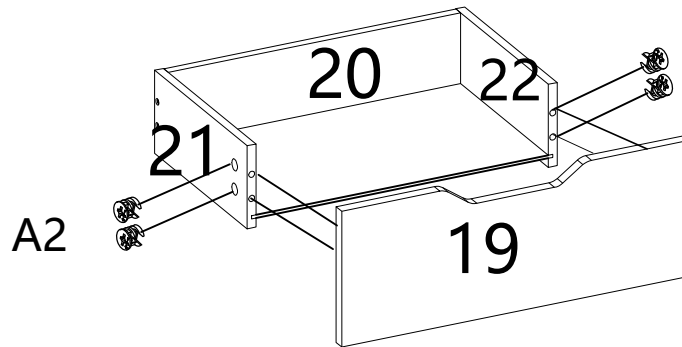
STEP 15

X 2



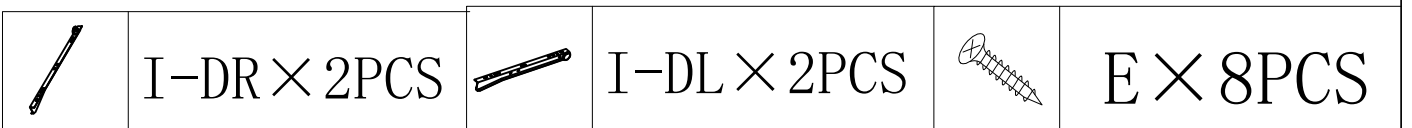
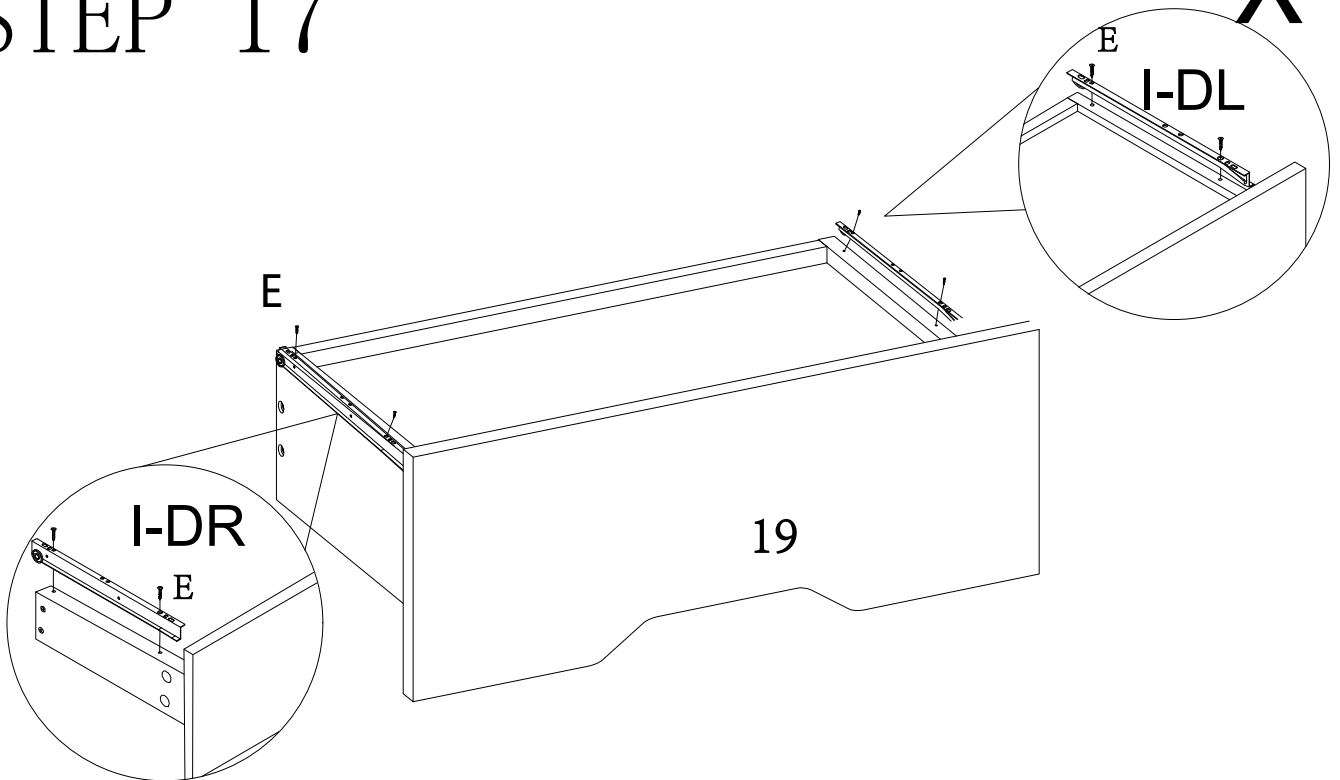
# STEP 16

# X 2



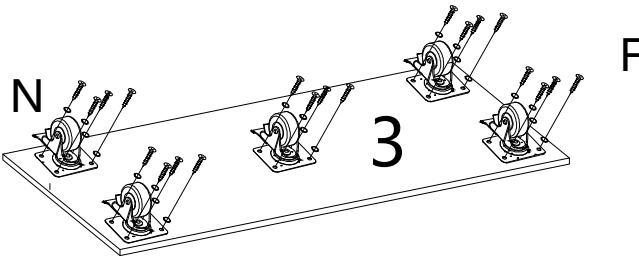
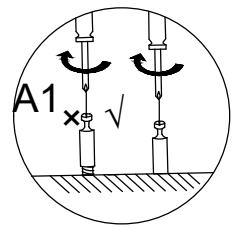
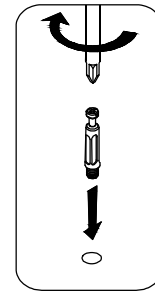
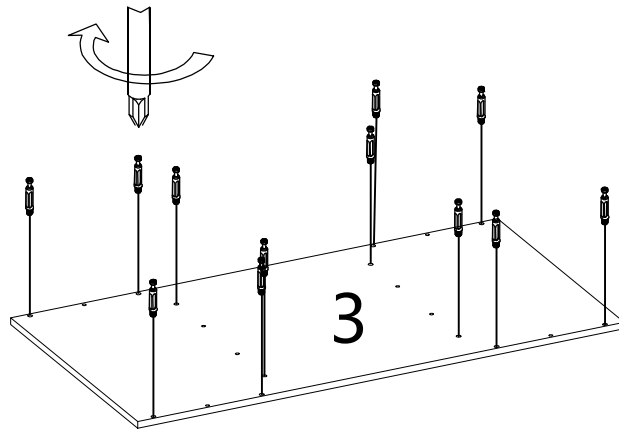
# STEP 17




# X 2



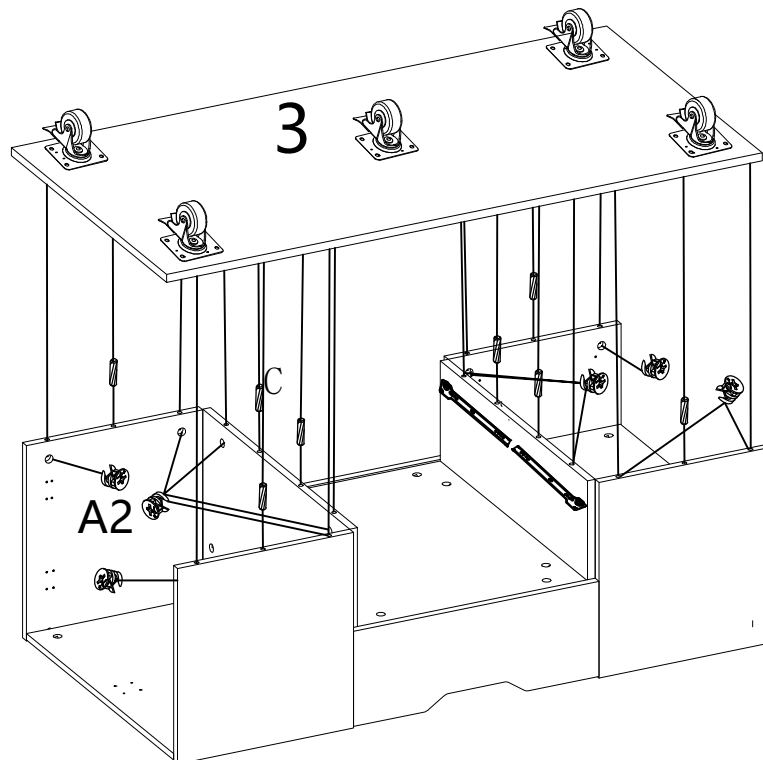
# STEP 18

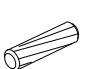

A1



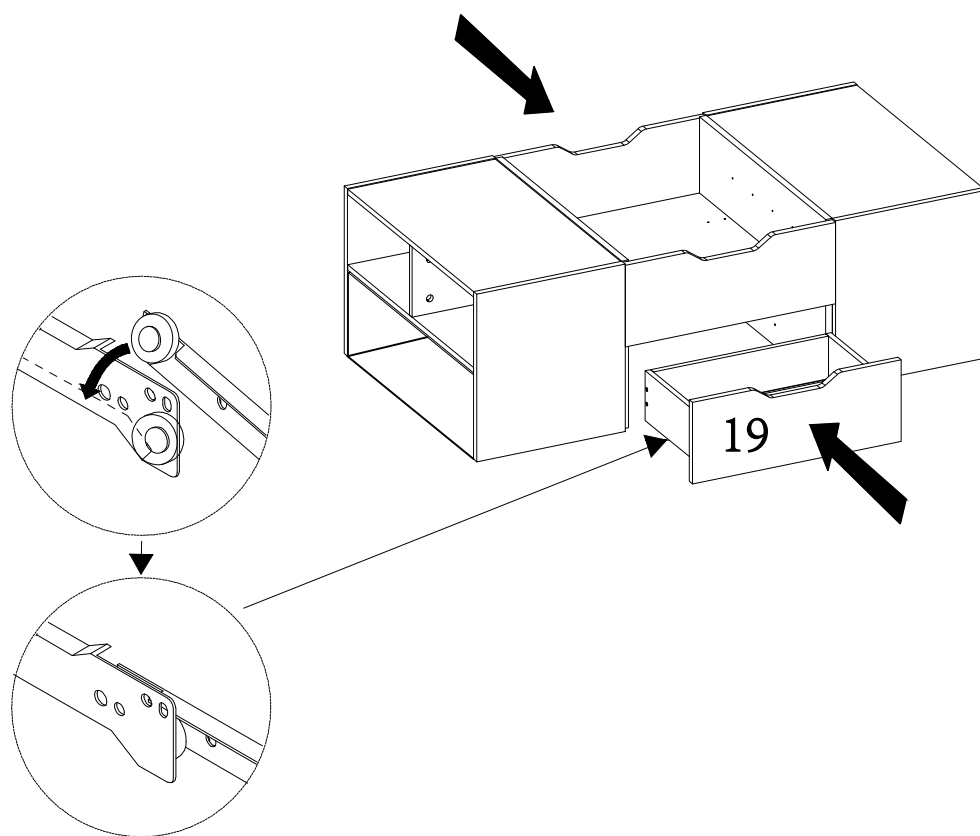
	N × 5PCS		F × 20PCS		A1 × 12PCS
---	----------	---	-----------	---	------------

# STEP 19

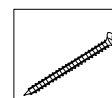
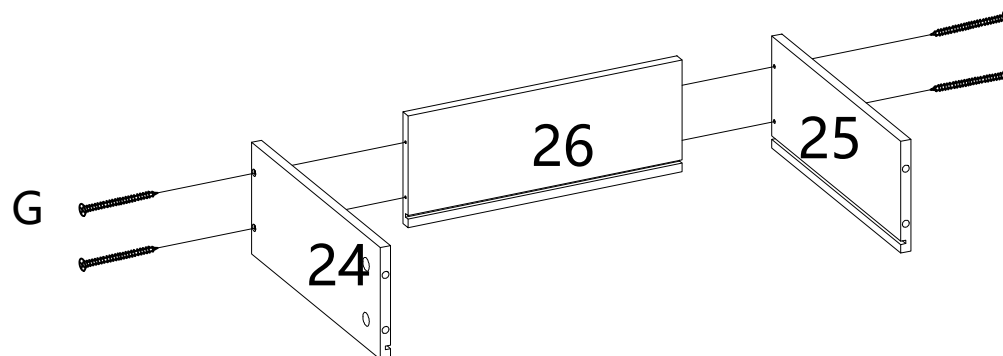


	C × 8PCS		A2 × 12PCS
---	----------	---	------------

# STEP 20

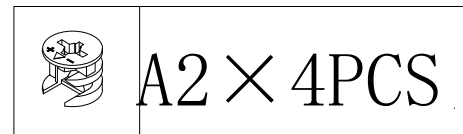
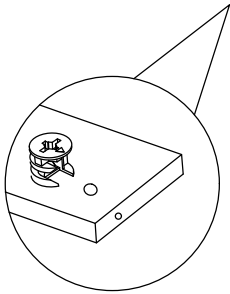
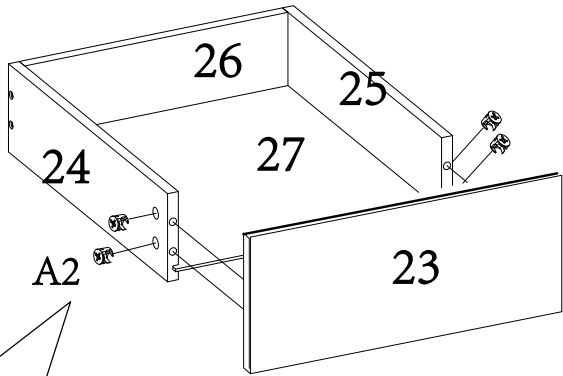
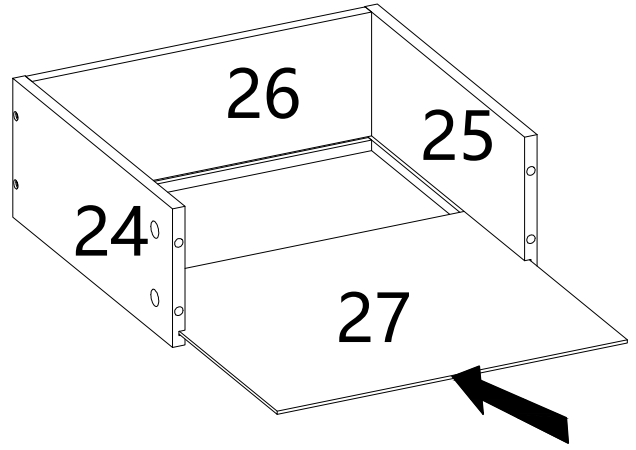


# STEP 21

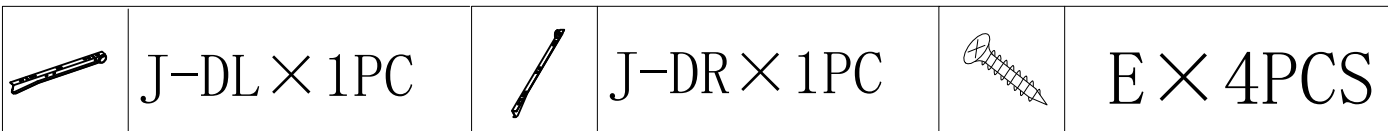
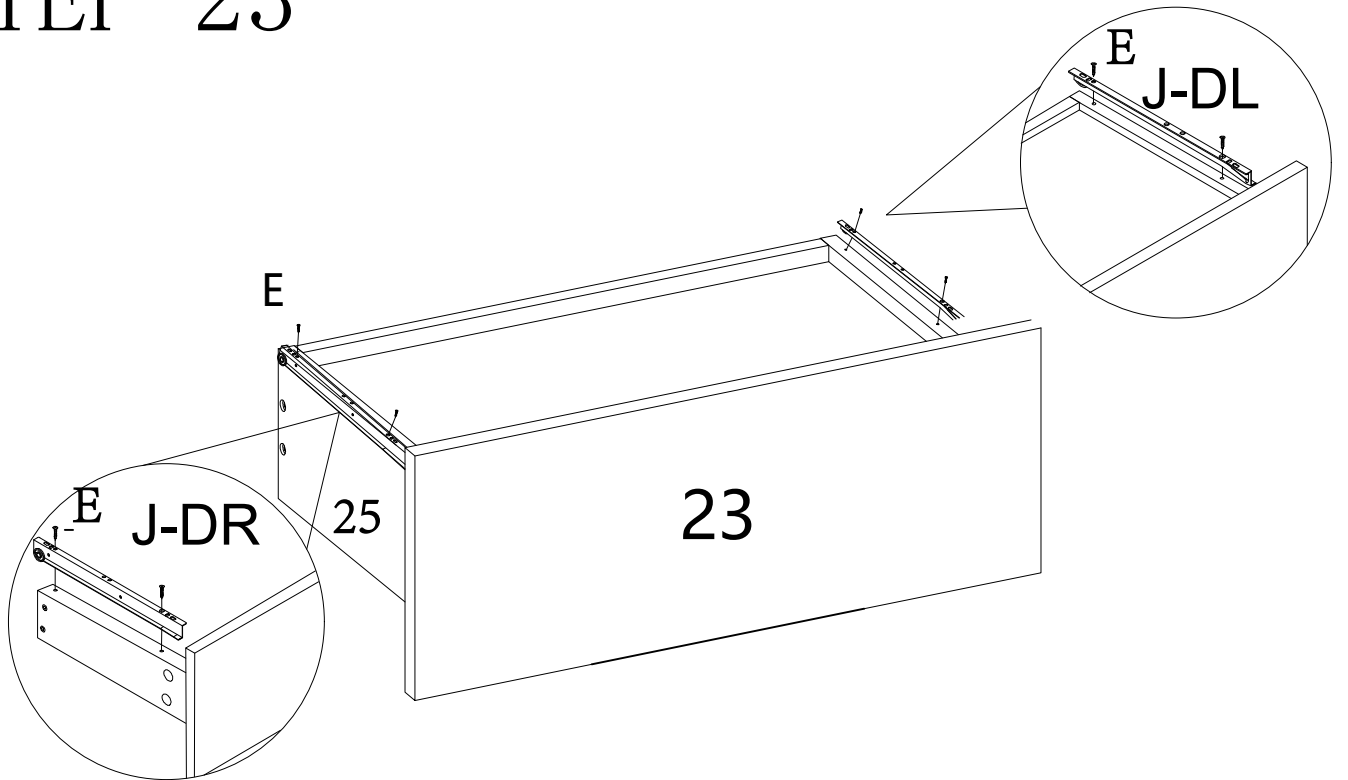


G × 4PCS

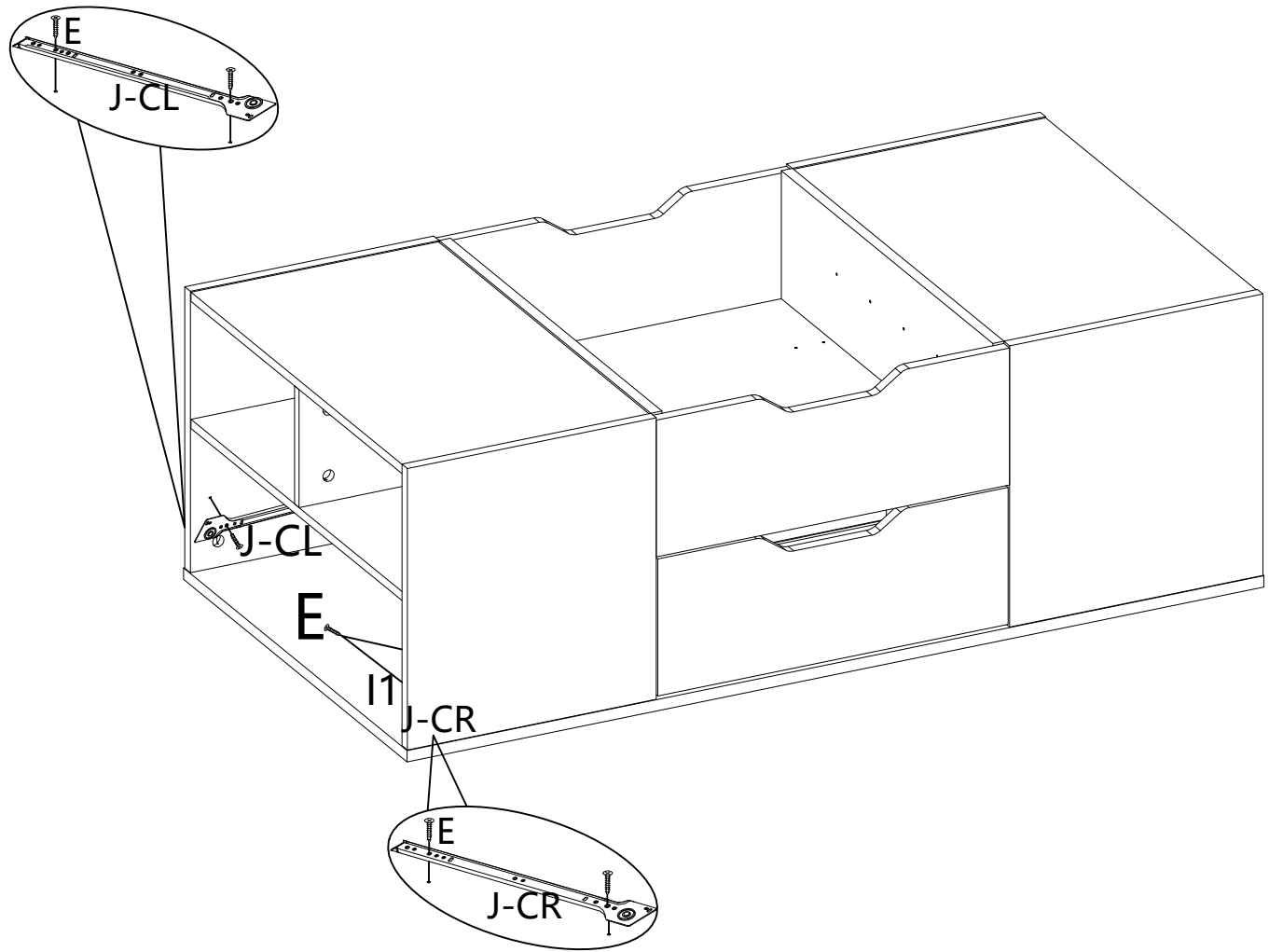
# STEP 22

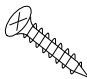




# STEP 23

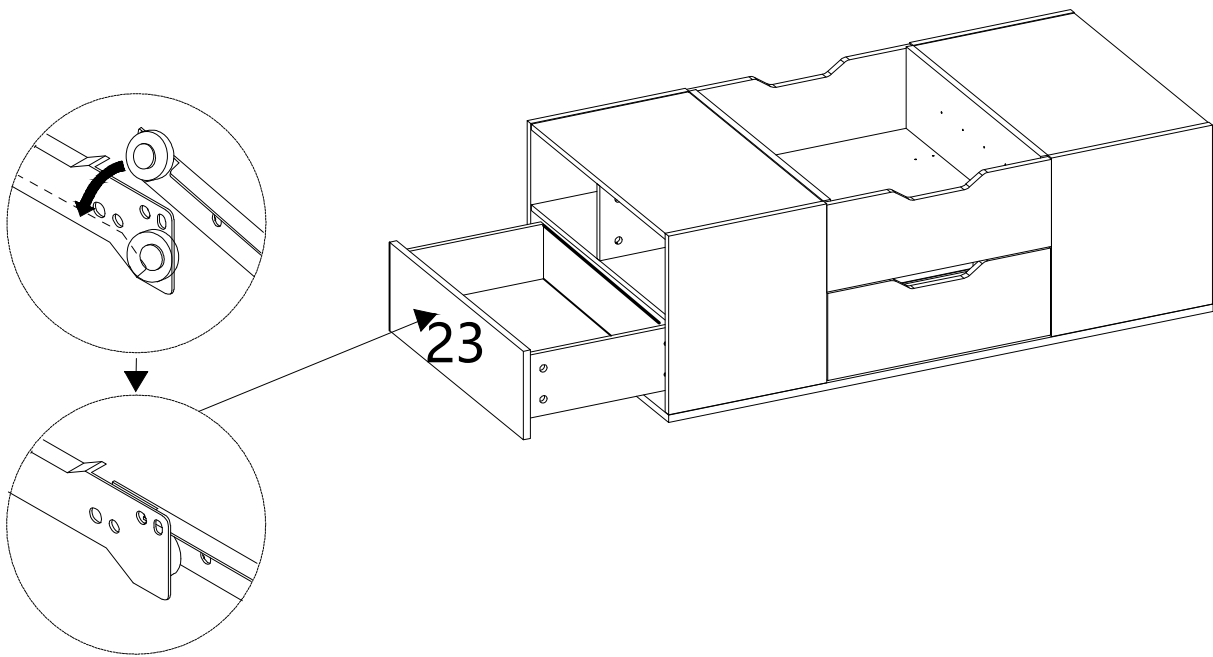


# STEP 24

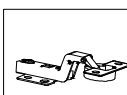
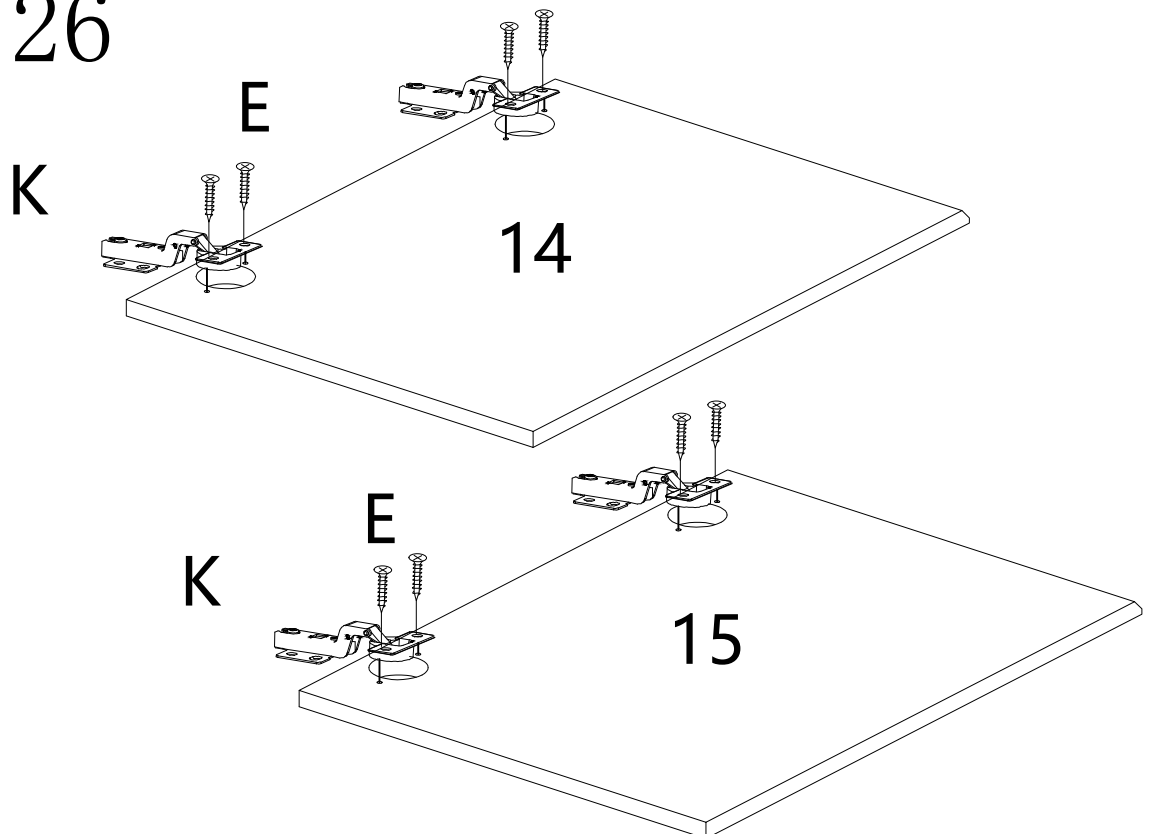


	E × 4PCS		J-CL × 1PC		J-CR × 1PC
---	----------	---	------------	---	------------

# STEP 25



# STEP 26

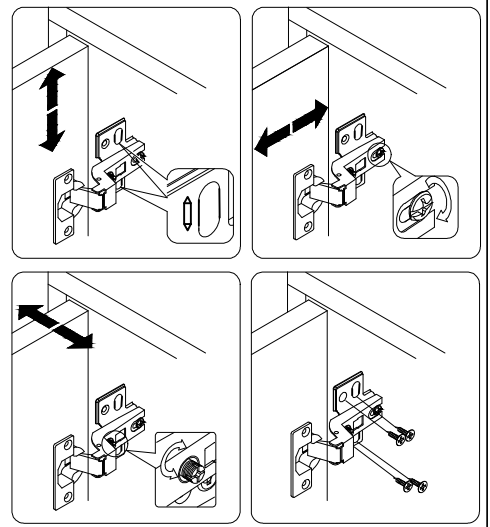
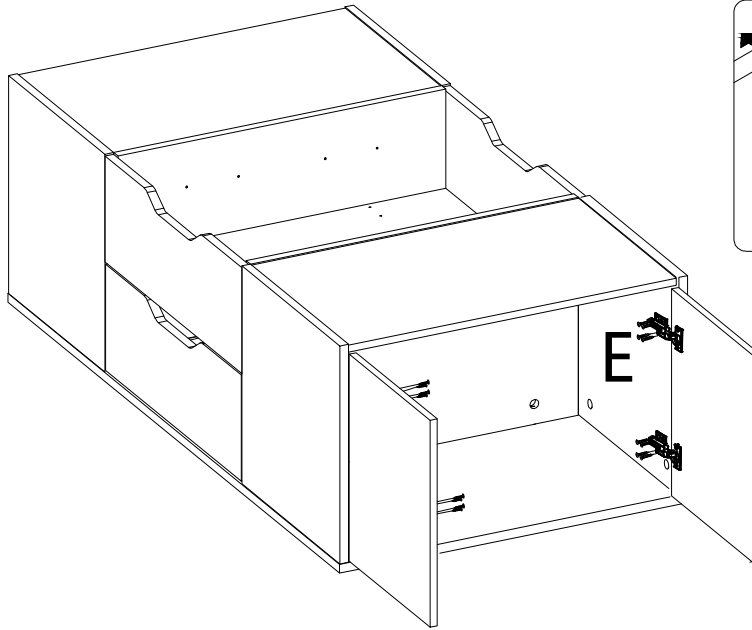


K × 4PCS

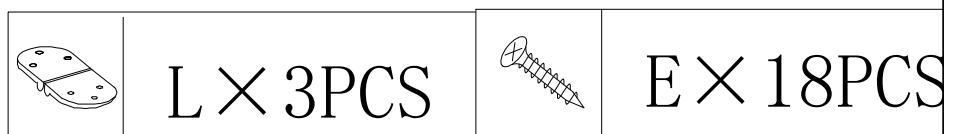
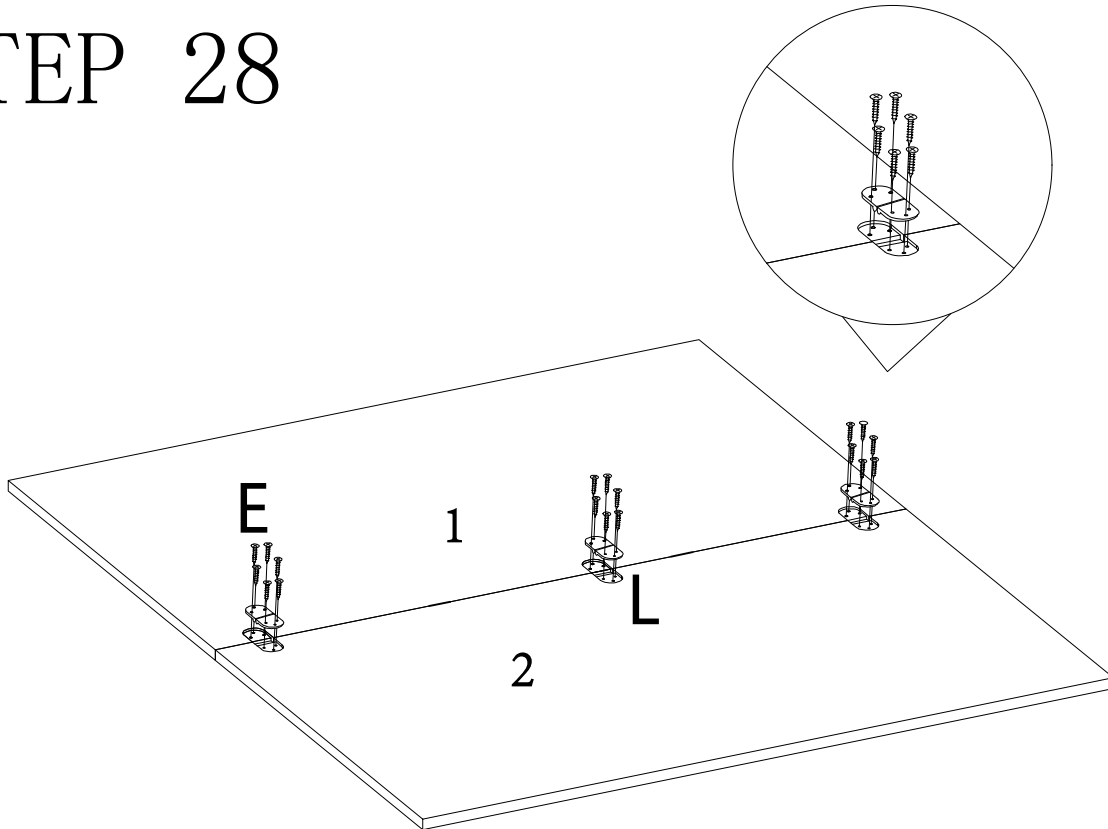


E × 8PCS

# STEP 27

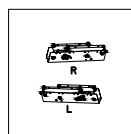
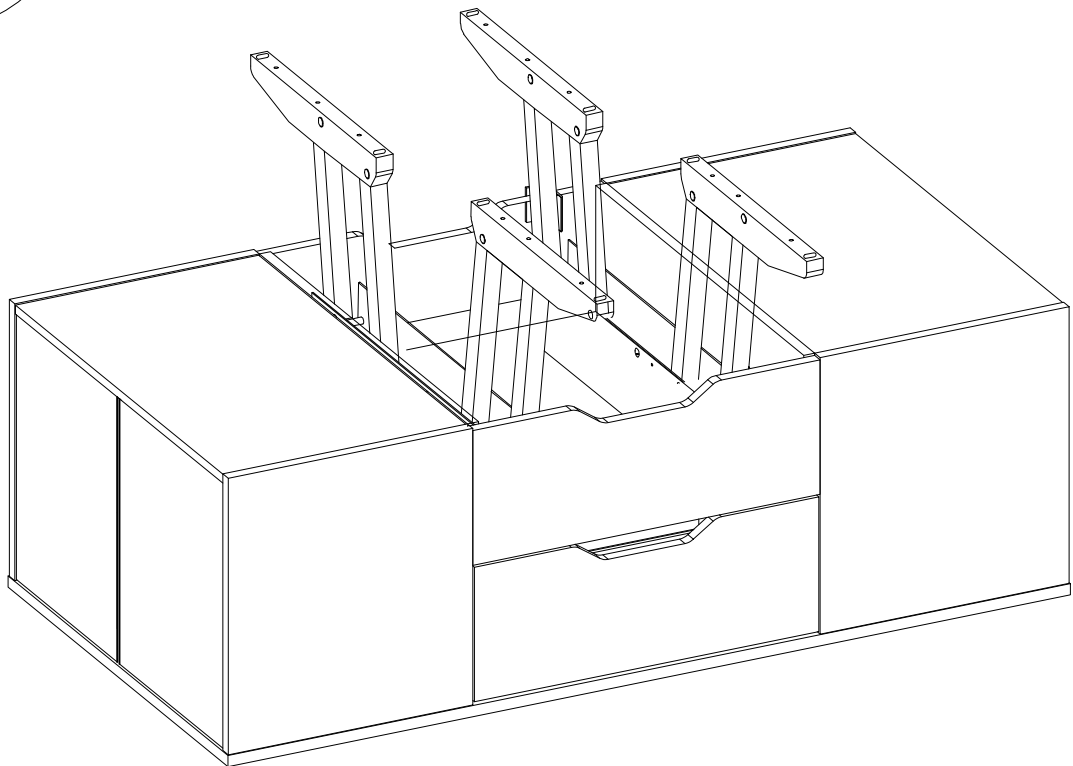
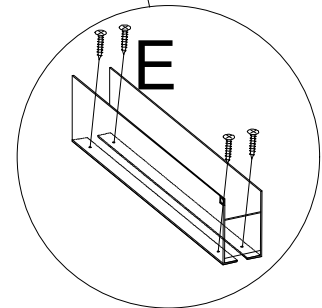
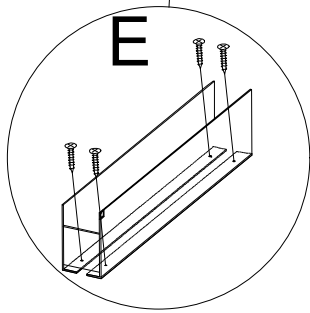
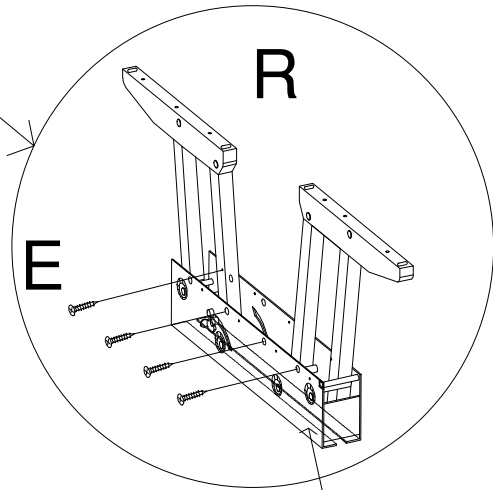
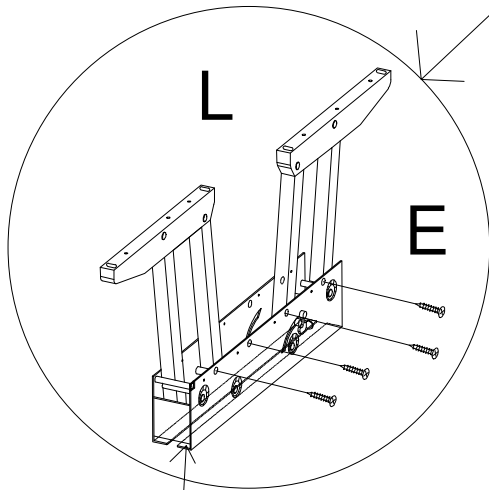


# STEP 28



# STEP 29

M

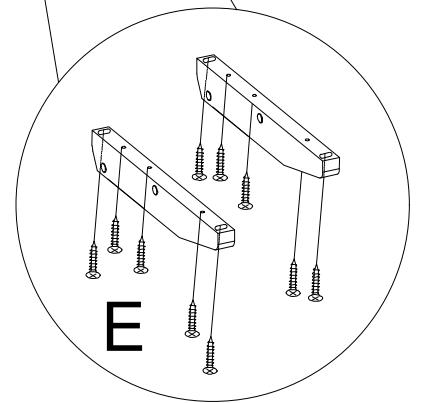
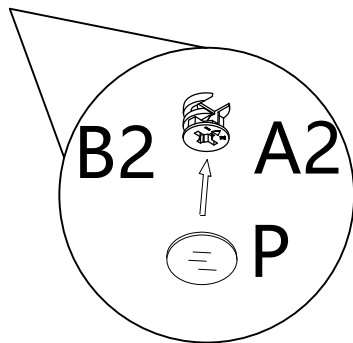
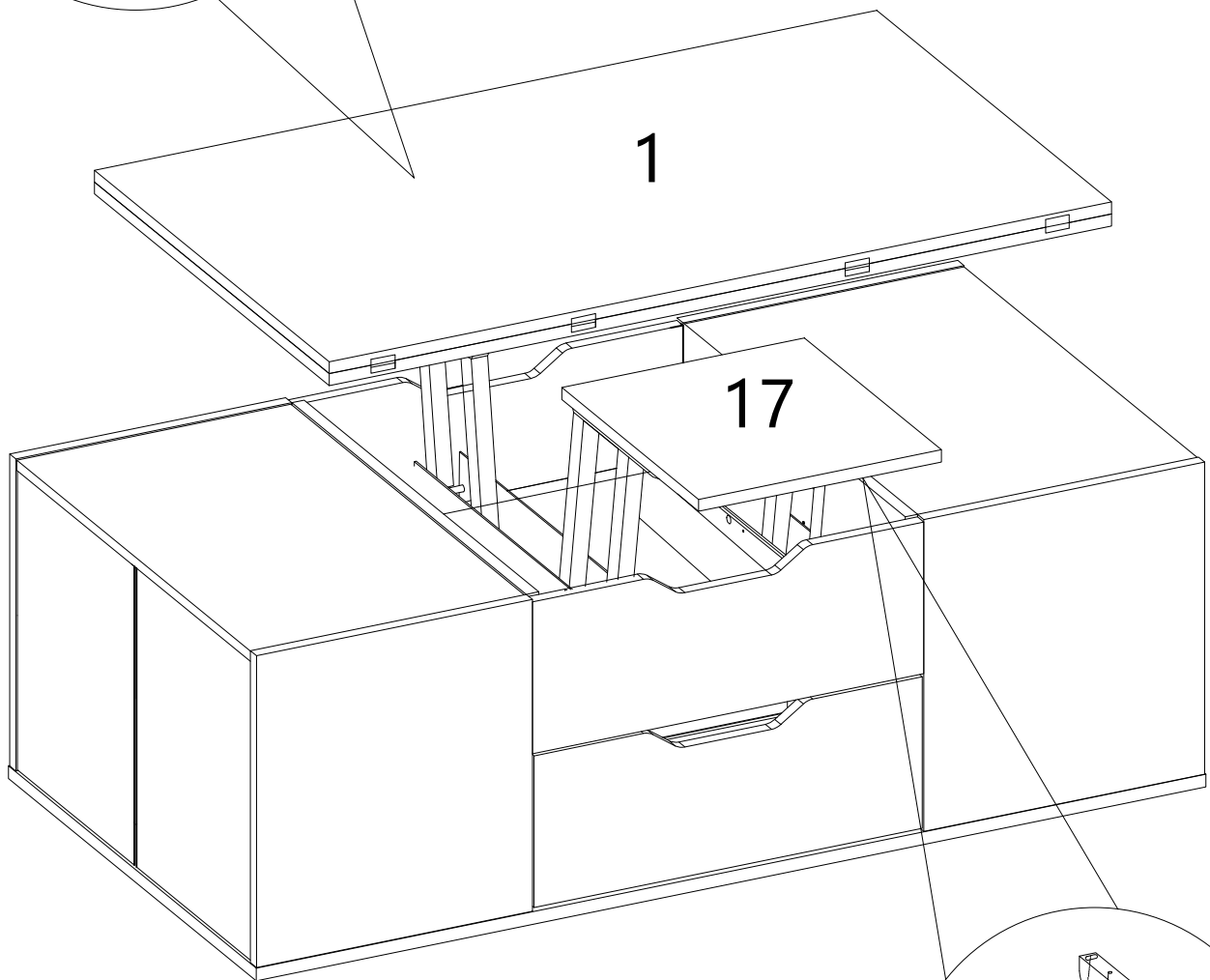
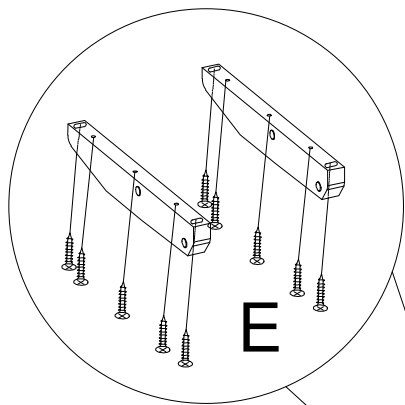



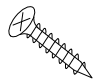
M × 1PC



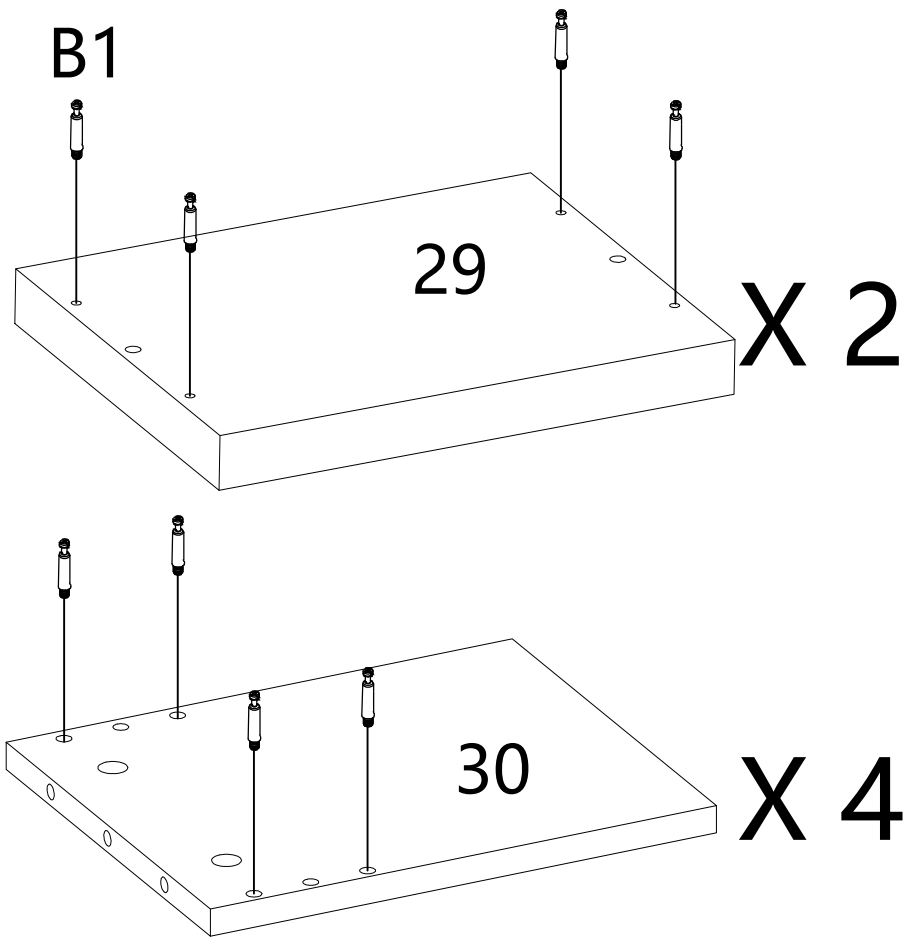
E × 16PCS


# STEP 30



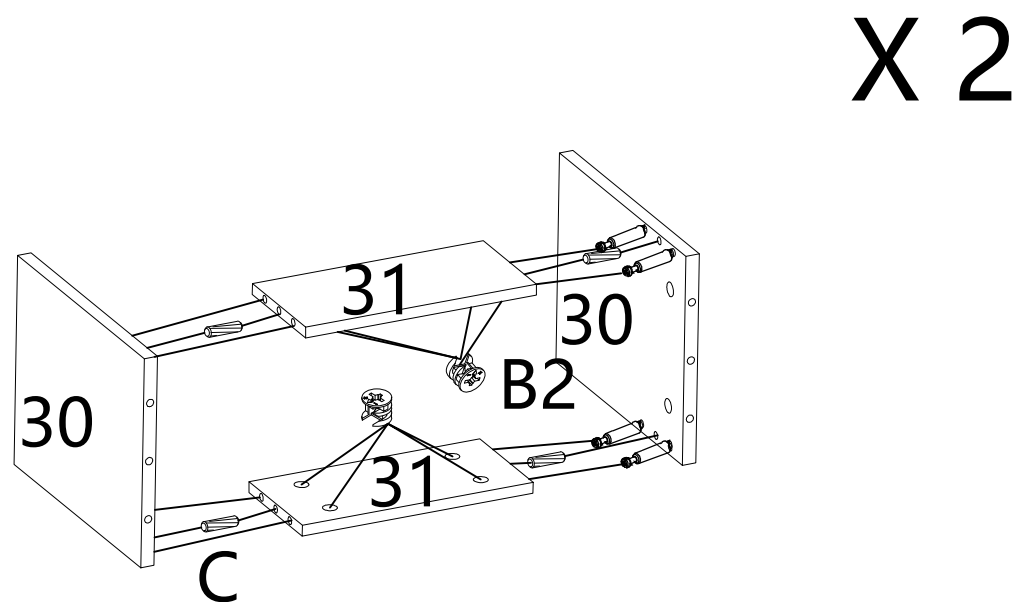
	P × 62PCS		E × 20PCS
---	-----------	---	-----------


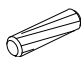
# STEP 31



	B1 X 24PCS
---	------------

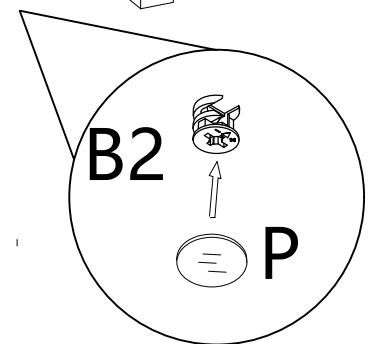
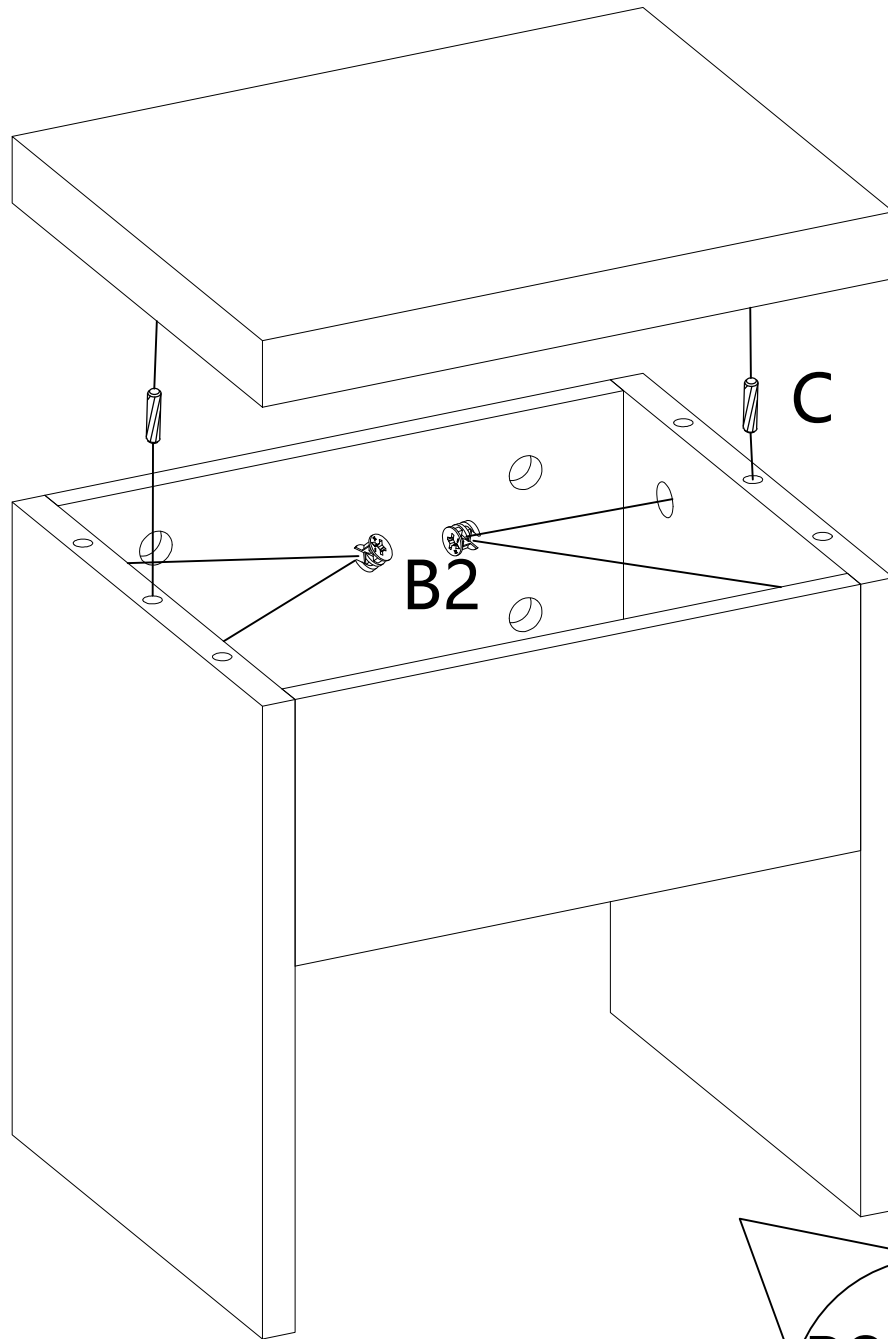
# STEP 32



	B2 X 16PCS		C X 8PCS
---	------------	---	----------

# STEP 33

X 2



P × 24PCS



B2 × 8PCS



C × 4PCS