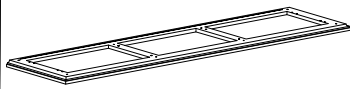
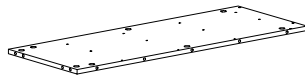


X12

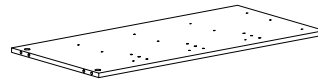
Parts and Operation Elements



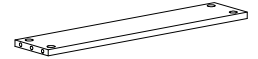
① 1PC



② 1PC



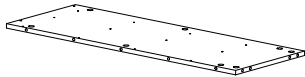
③ 1PC



④ 3PCS



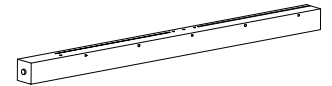
⑤ 1PC



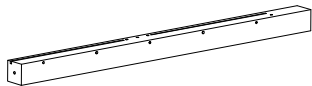
⑥ 1PC



⑦ 1PC



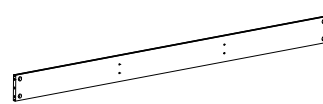
⑧ 1PC



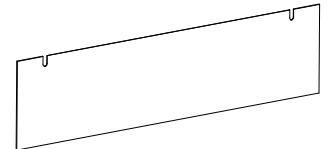
⑨ 1PC



⑩ 1PC



⑪ 1PC



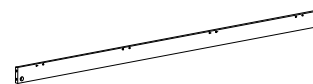
⑫ 1PCS



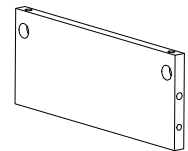
⑬ 1PC



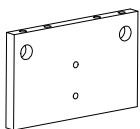
⑭ 1PC



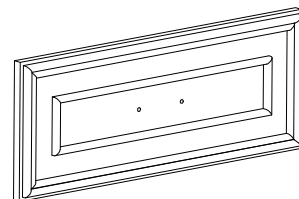
⑮ 1PC



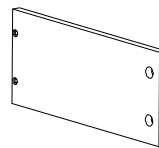
⑯ 2PCS



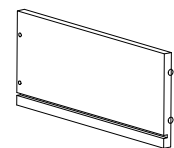
⑰ 2PCS



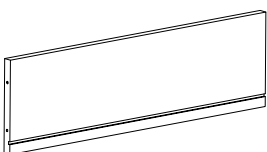
⑱ 12PCS



⑲ 12PCS



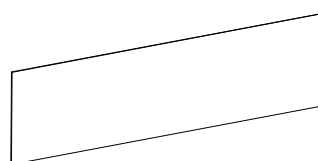
⑳ 12PCS



㉑ 12PCS

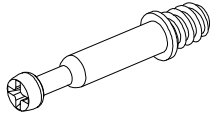

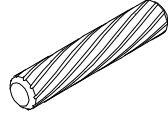
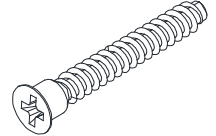


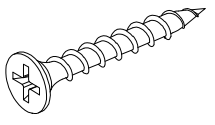
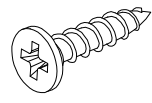
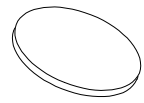
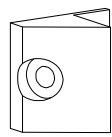
㉒ 12PCS

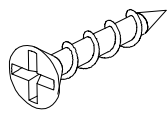

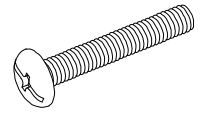
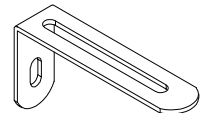


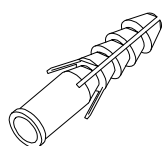
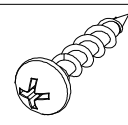
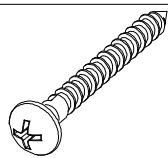
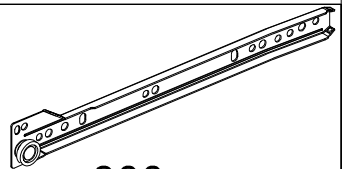
㉓ 1PCS

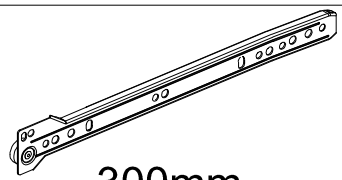
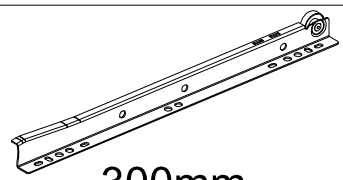
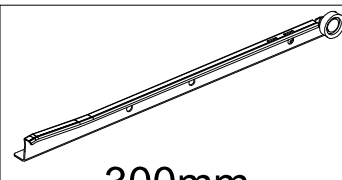
Hardware

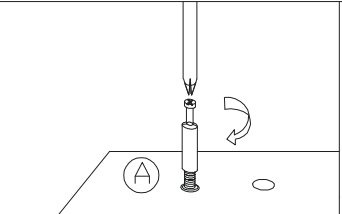
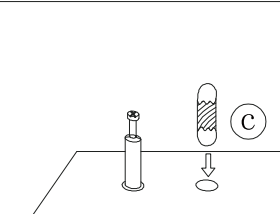
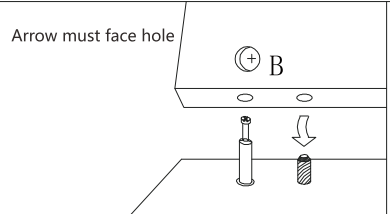
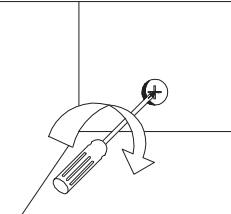
			
5x28mm Cam Bolt	15x9mm Cam Lock	6x30mm Dowel	5x48mm Screw
(A) x106+2	(B) x106+2	(C) x44+2	(D) x10+2

			
4x30mm Screw	3.5x12mm Screw	30mm	
(E) x48+2	(F) x144+2	(G) x106+2	(H) x16+2

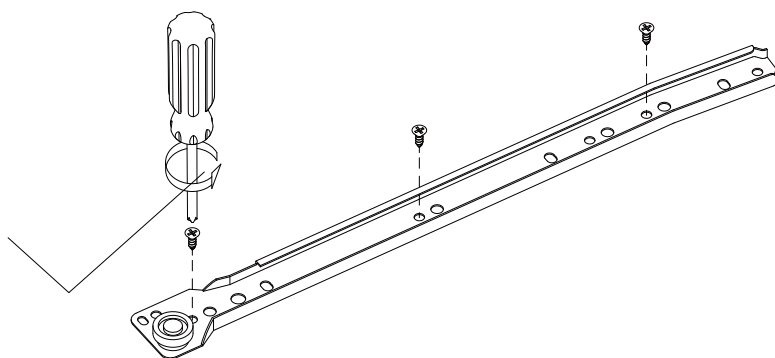
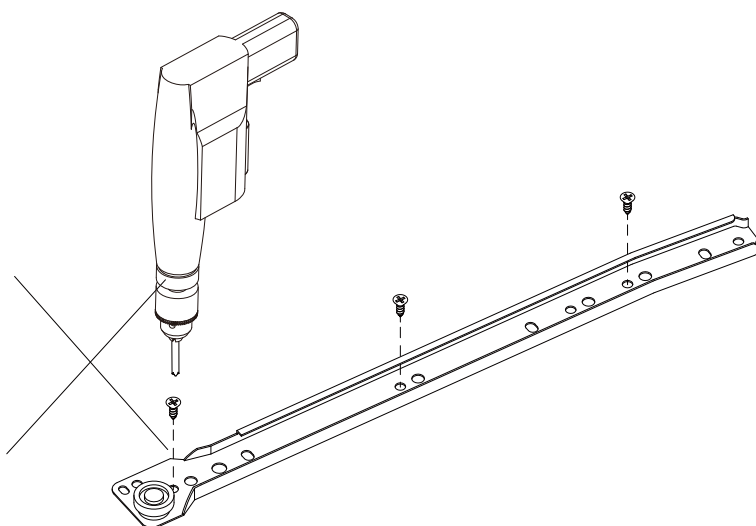
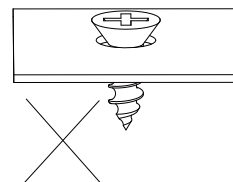
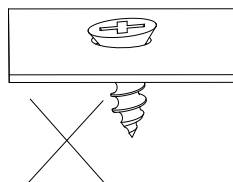
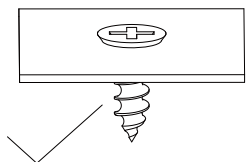
			
3x16mm Screw		4x16mm Screw	
(I) x16+2	(J) x12	(K) x24+2	(L) x2

			
	4x14mm Screw	4x38mm Screw	300mm
(M) x2	(N) x2	(O) x2	(CL) x12

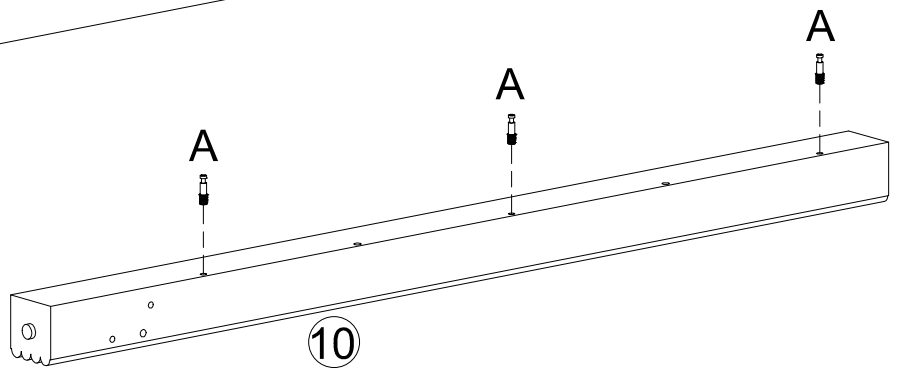
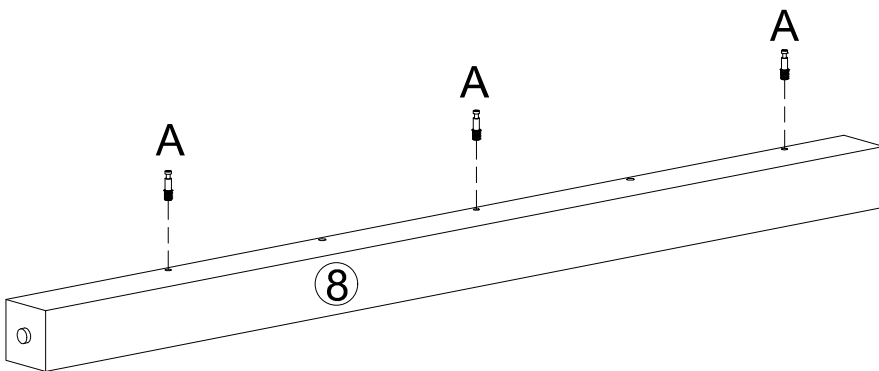
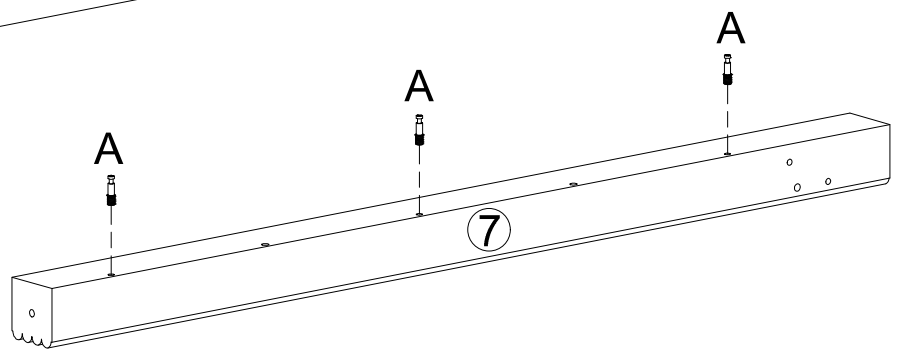
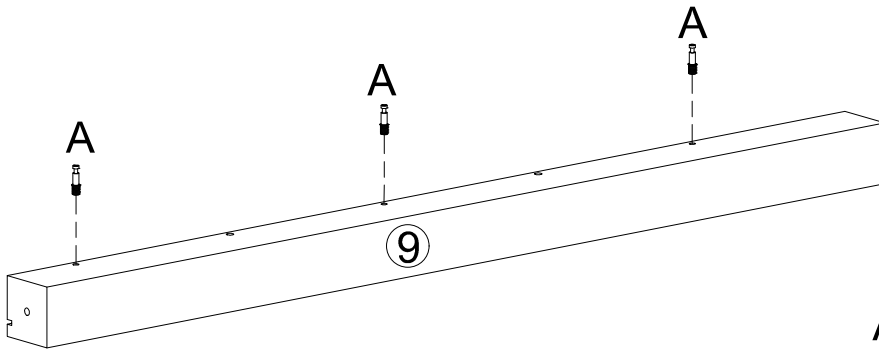
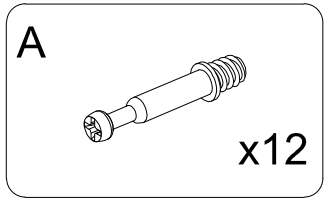
		
300mm	300mm	300mm
(CR) x12	(DL) x12	(DR) x12

			
Gently screw cam bolt into the threaded anchor.	Insert the wood dowel halfway into hole.	Arrow must face hole	Screw the camlock firmly into locked position.

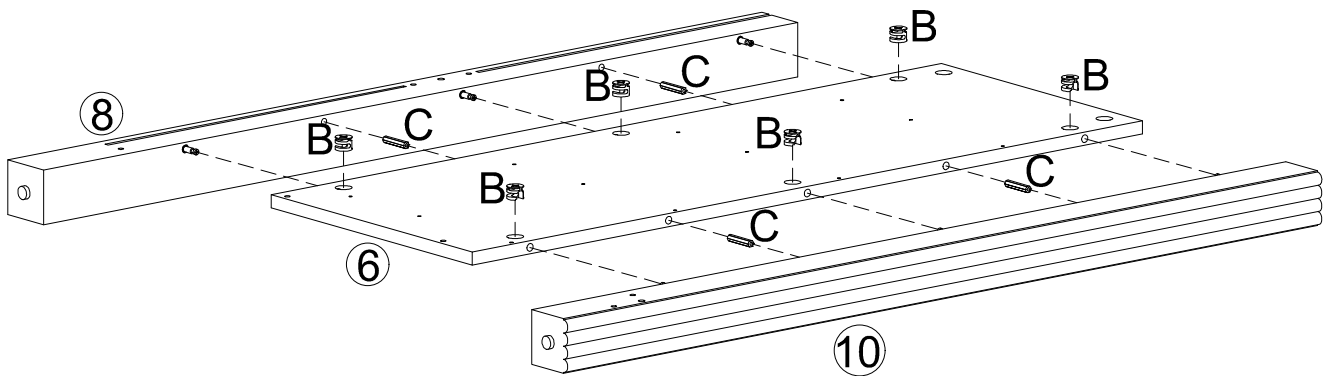
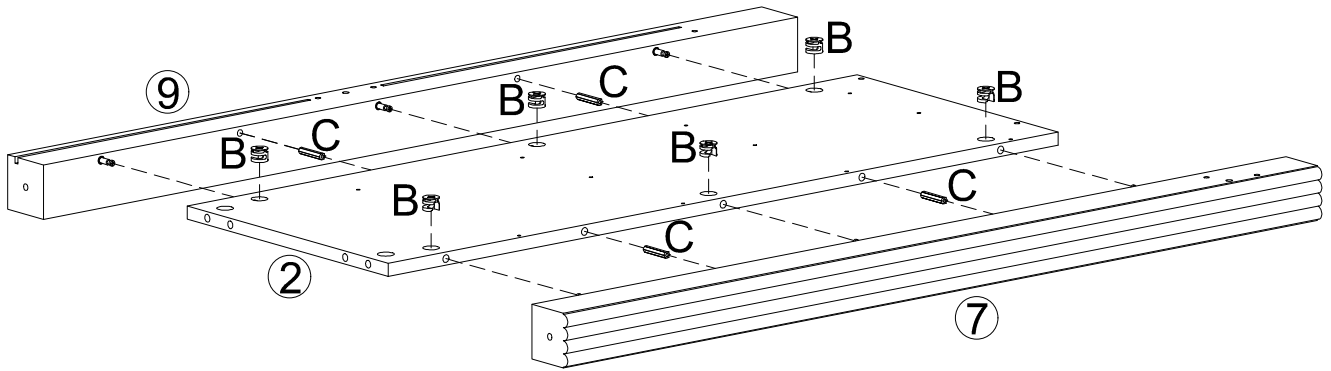
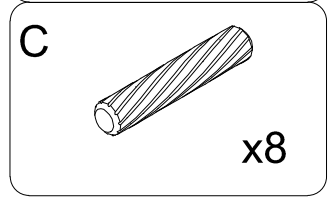
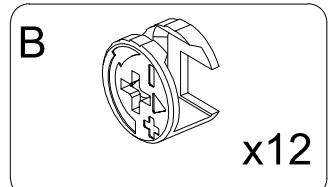
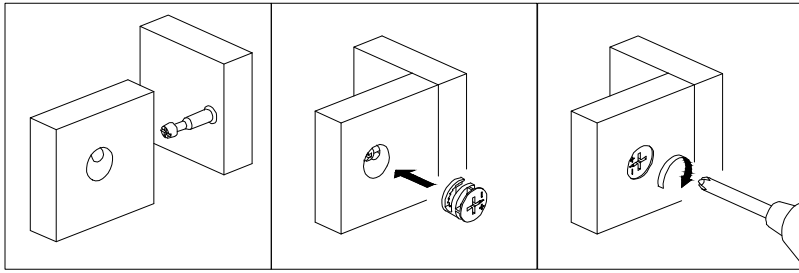
Please kindly note the following points when you assemble the sliders of the drawers



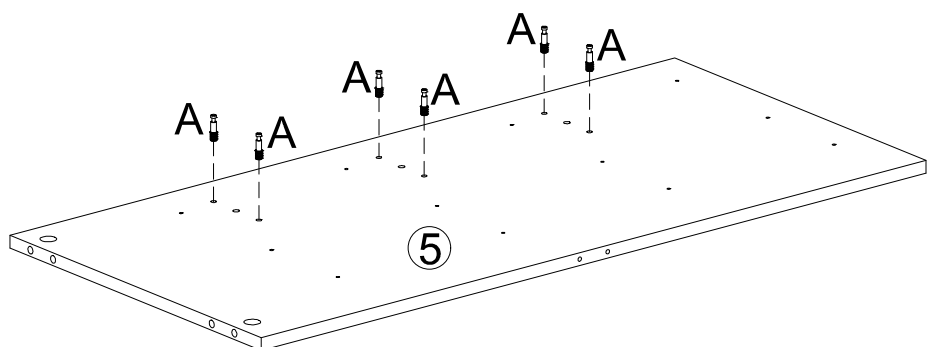
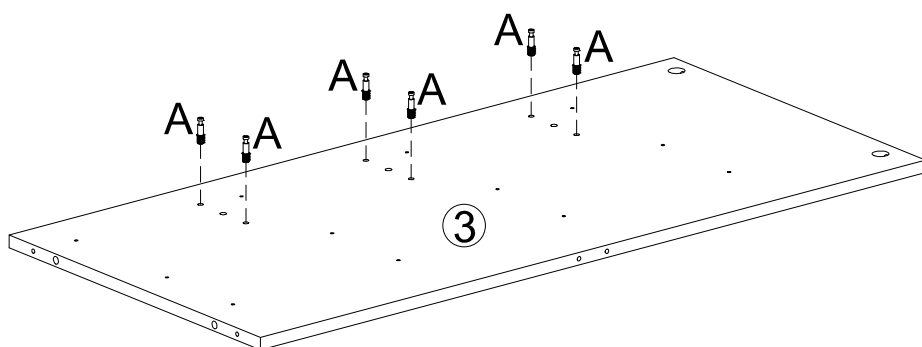
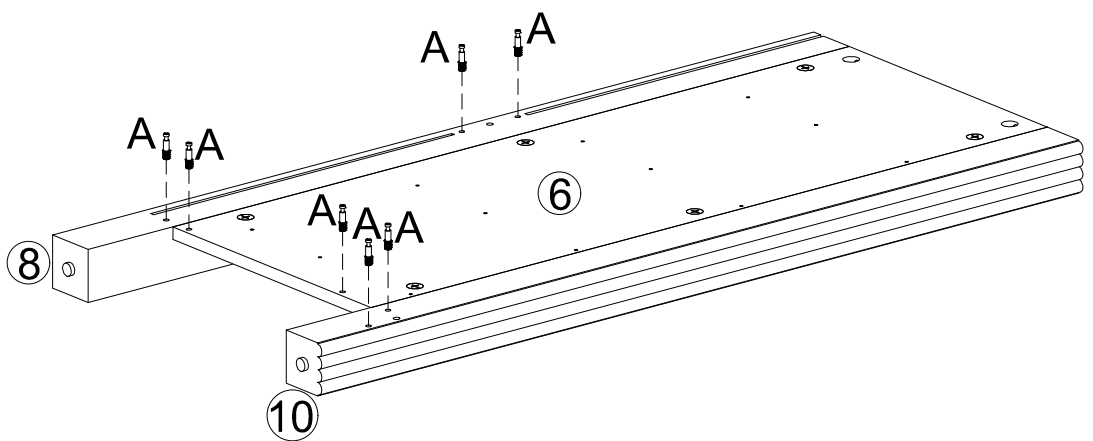
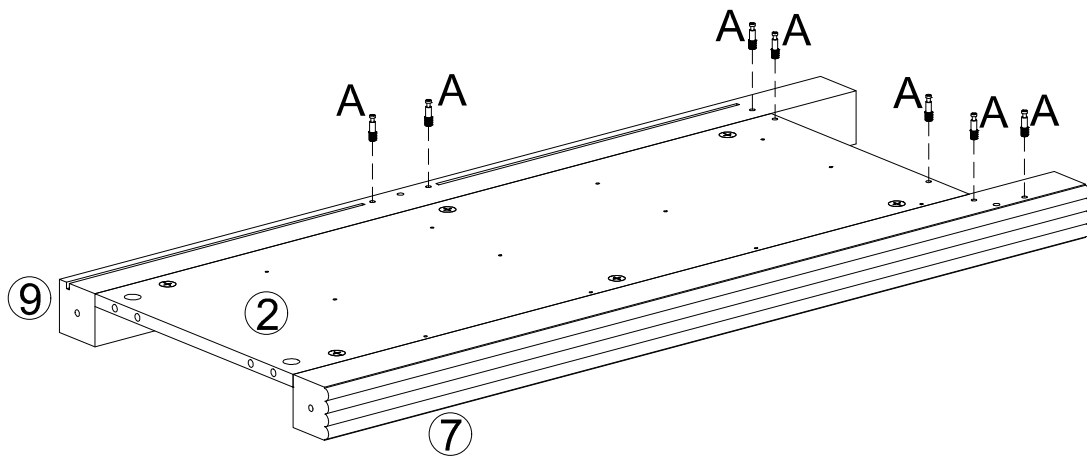
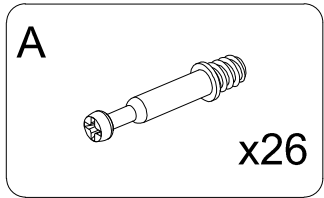
1



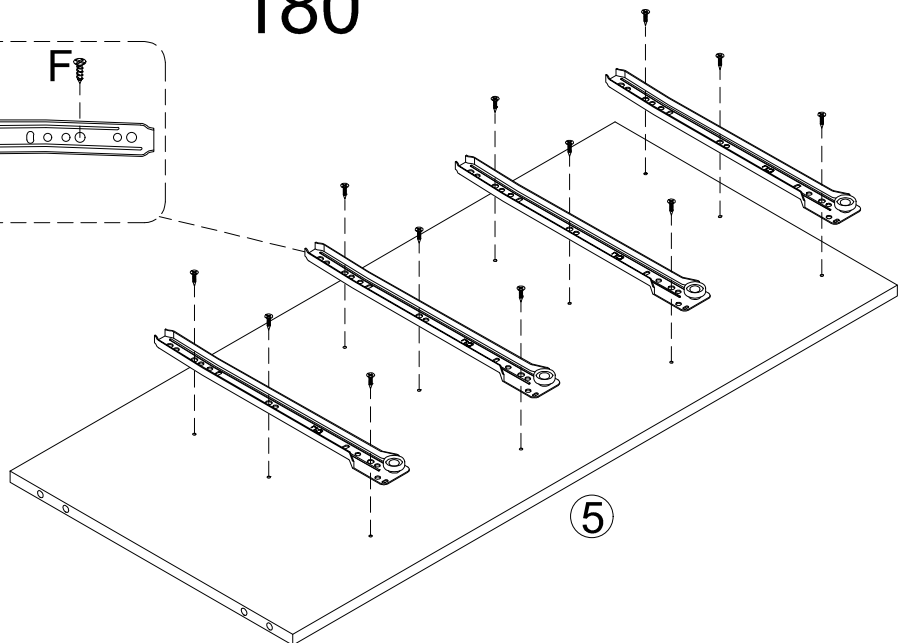
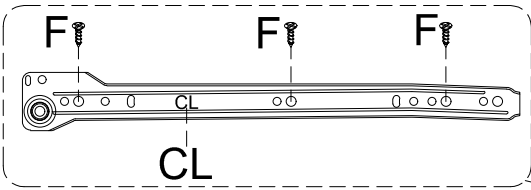
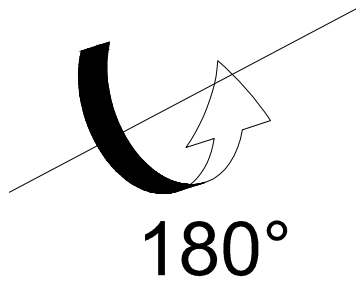
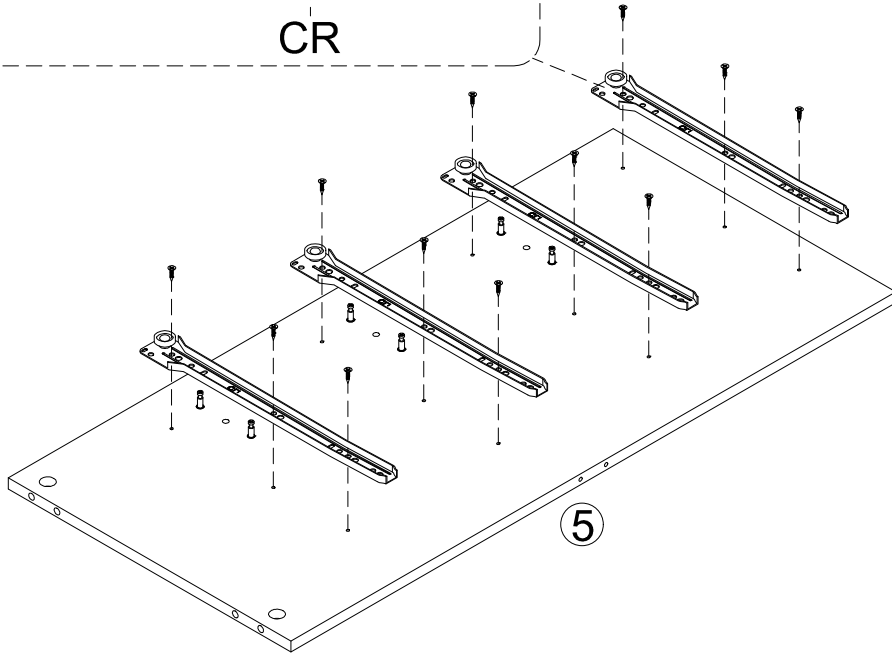
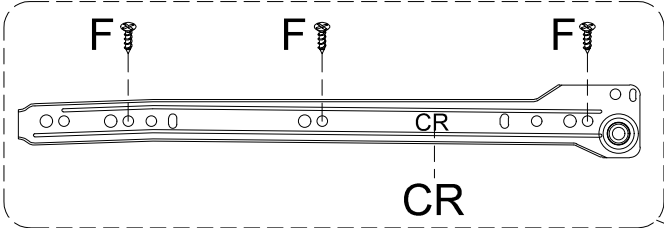
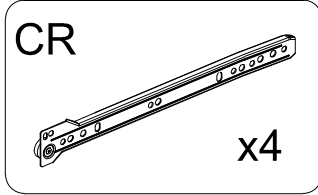
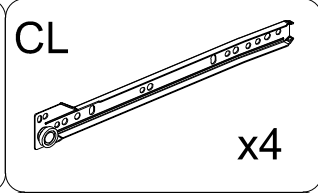
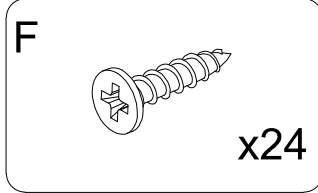
2



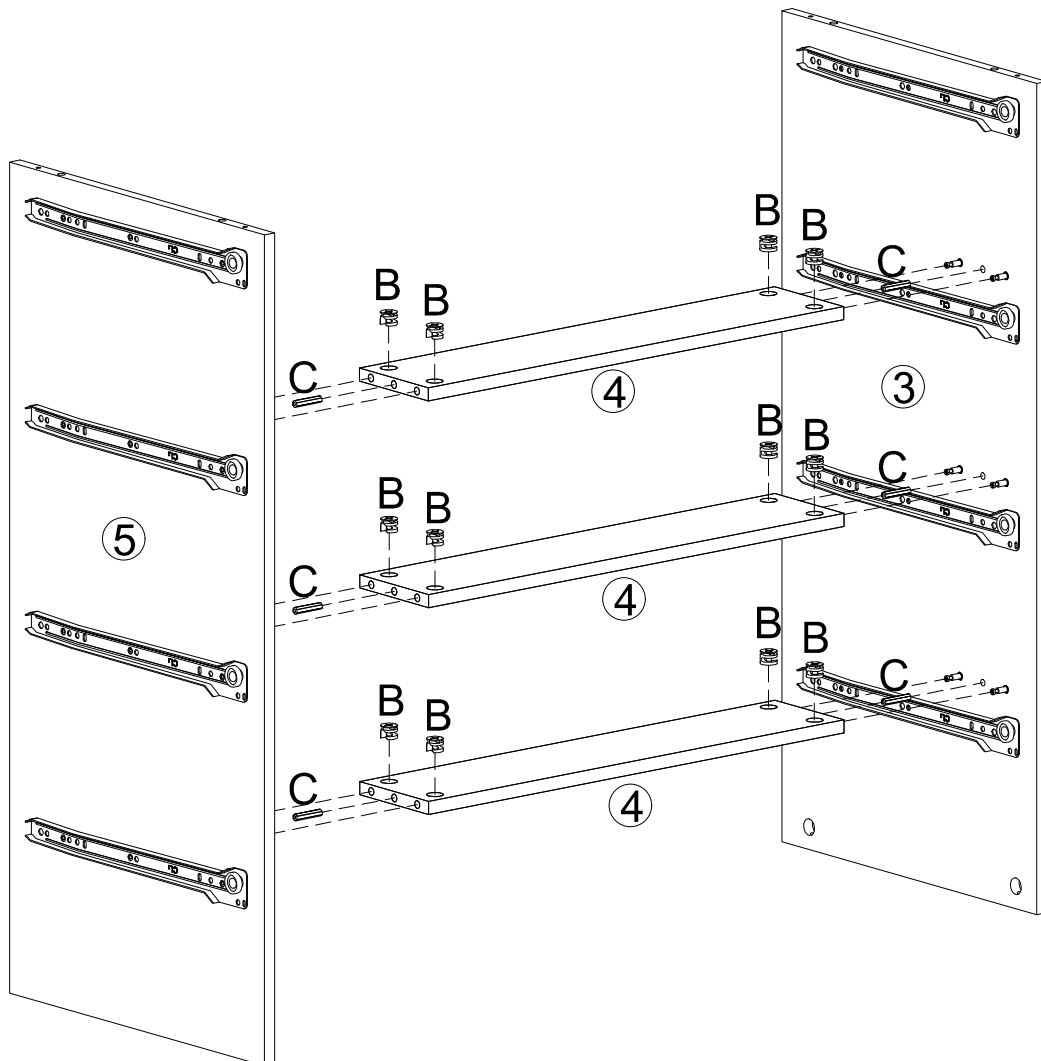
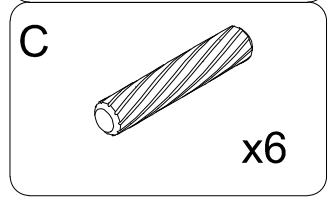
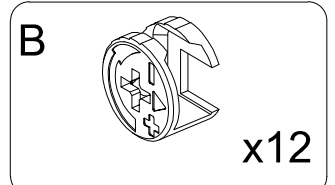
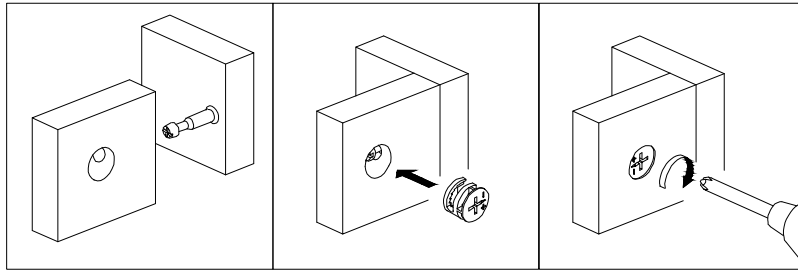
3



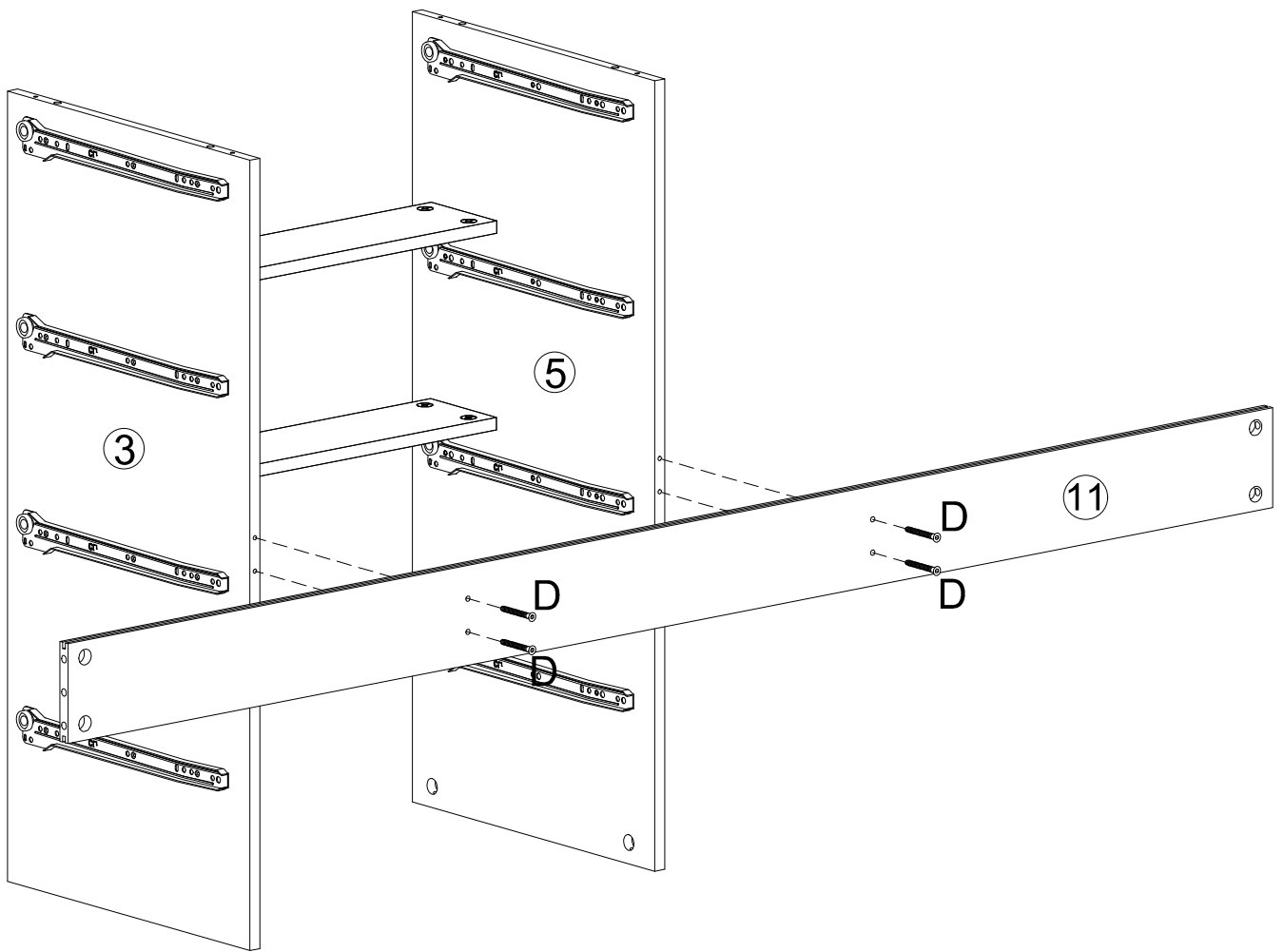
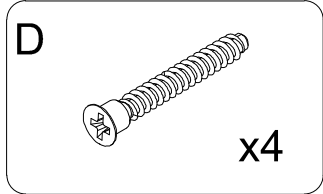
6



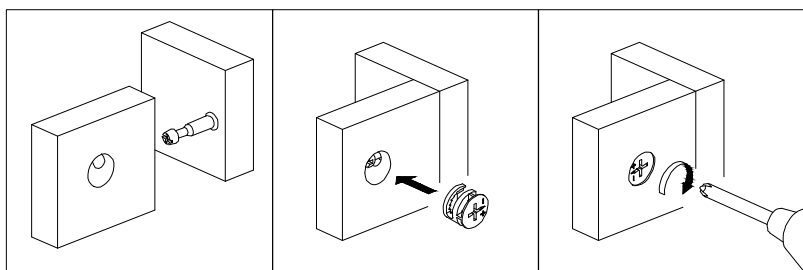
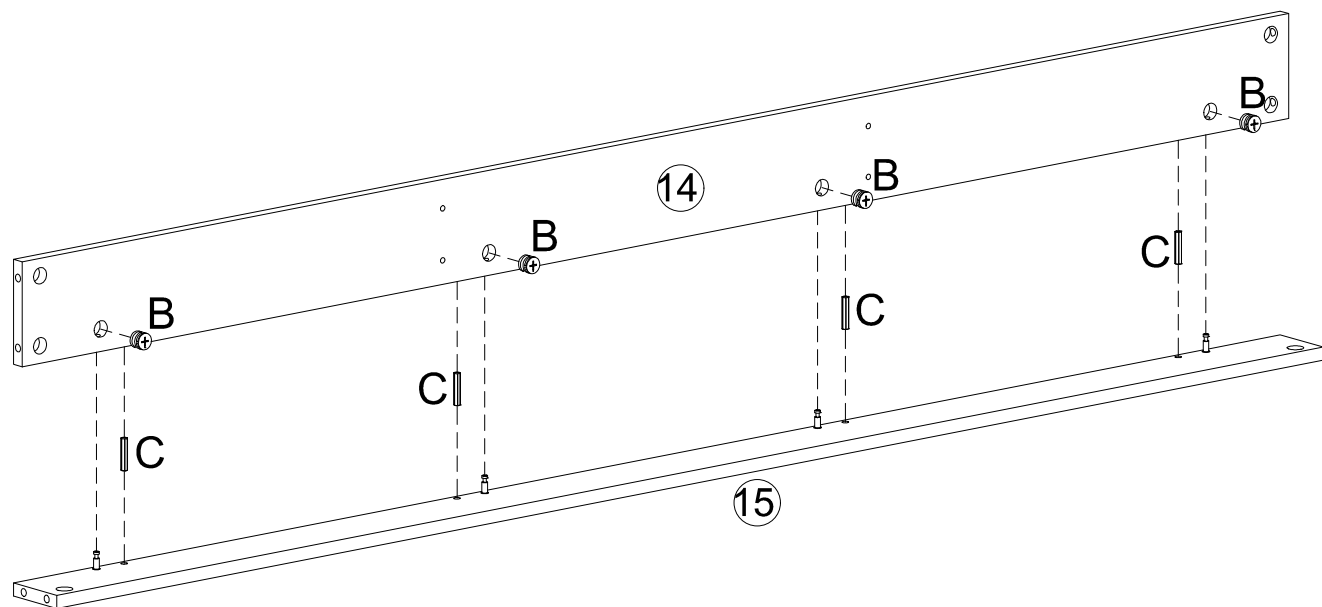
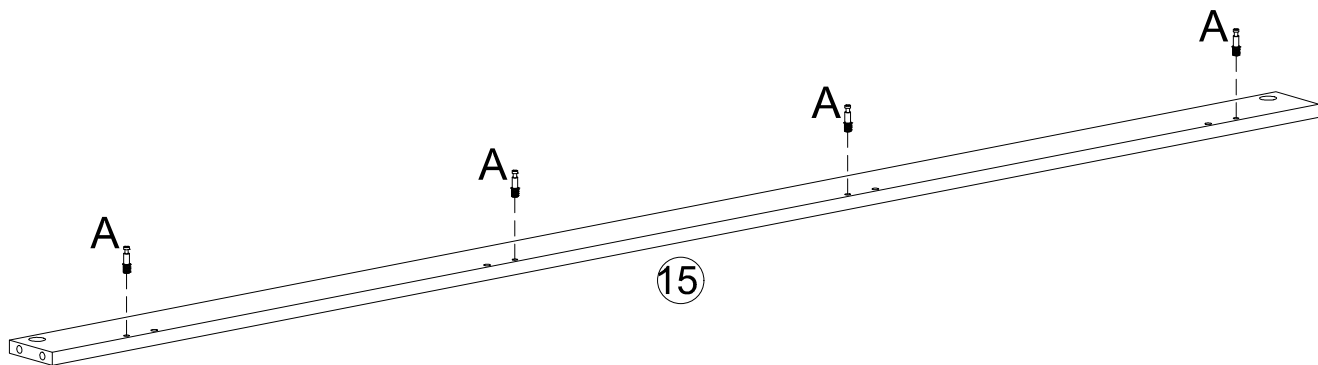
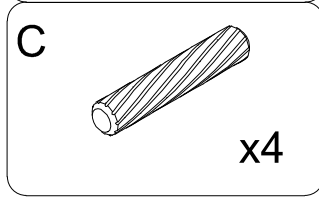
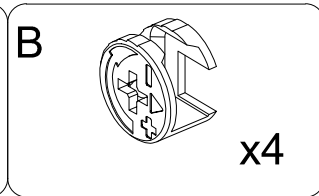
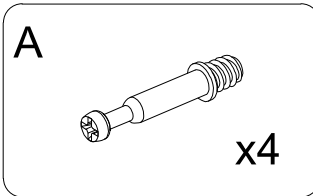
7



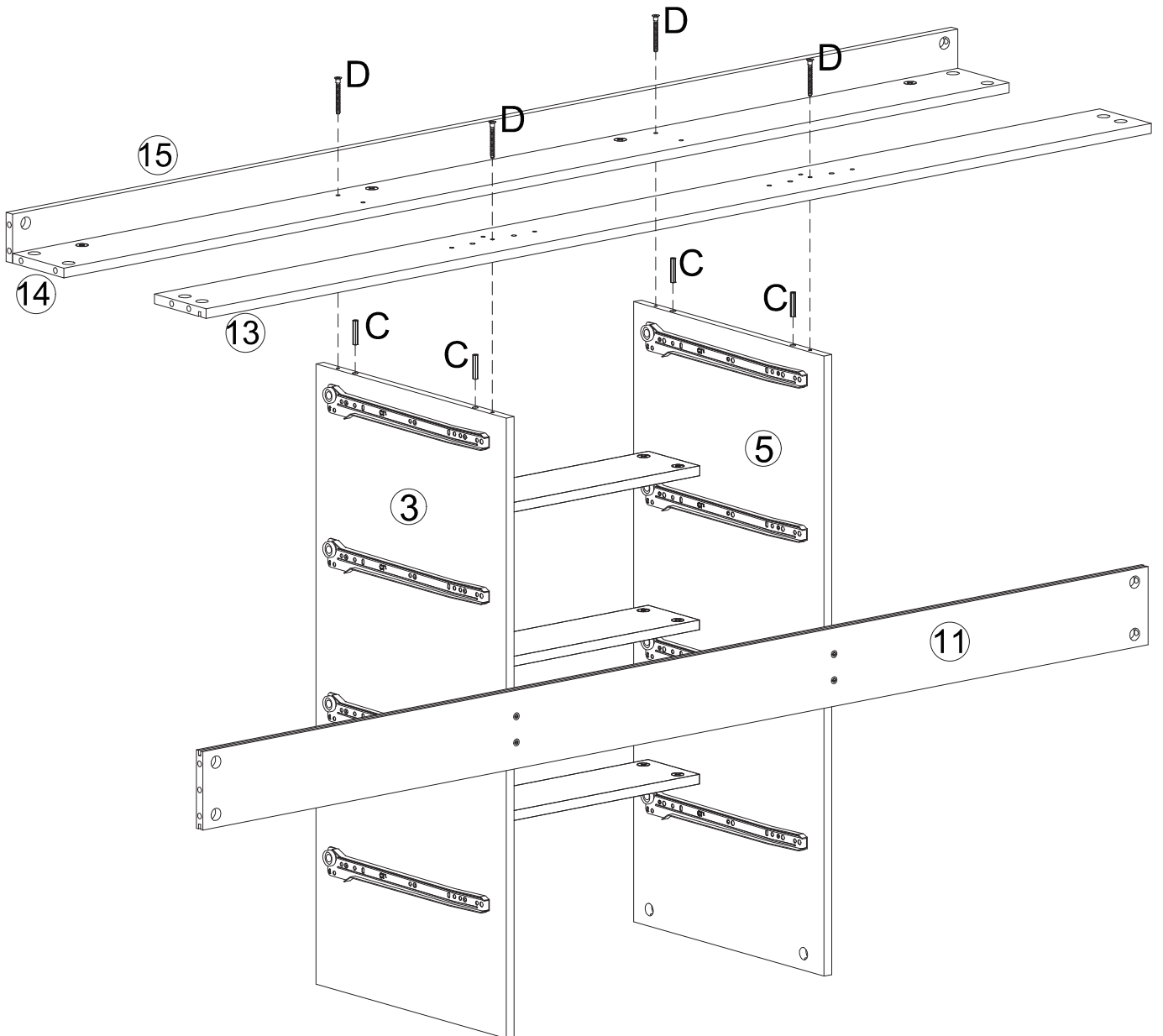
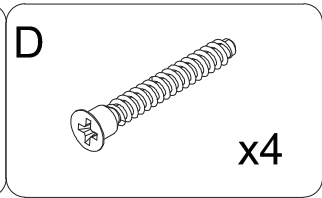
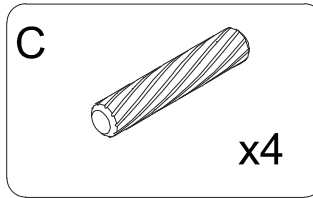
8



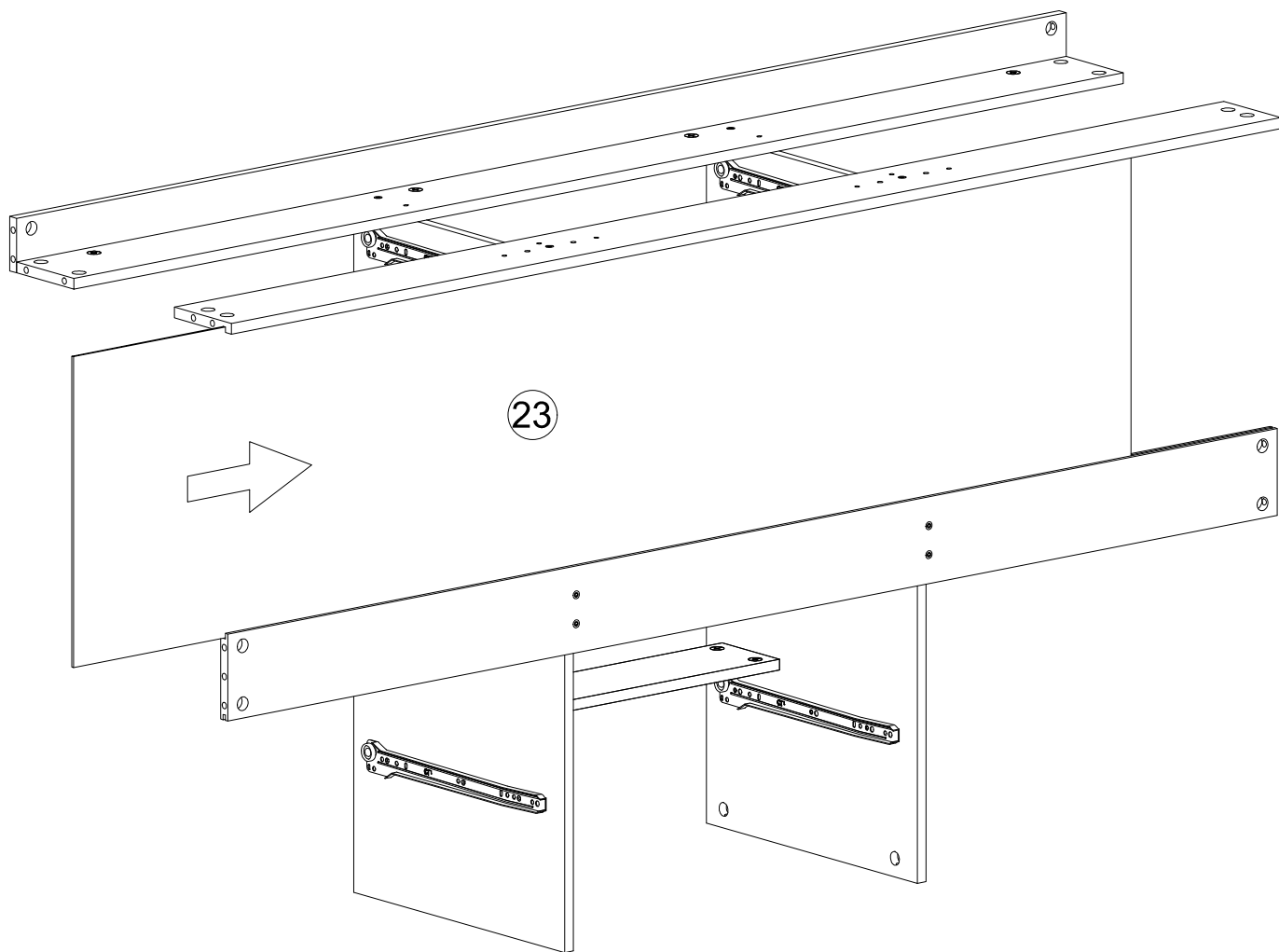
9



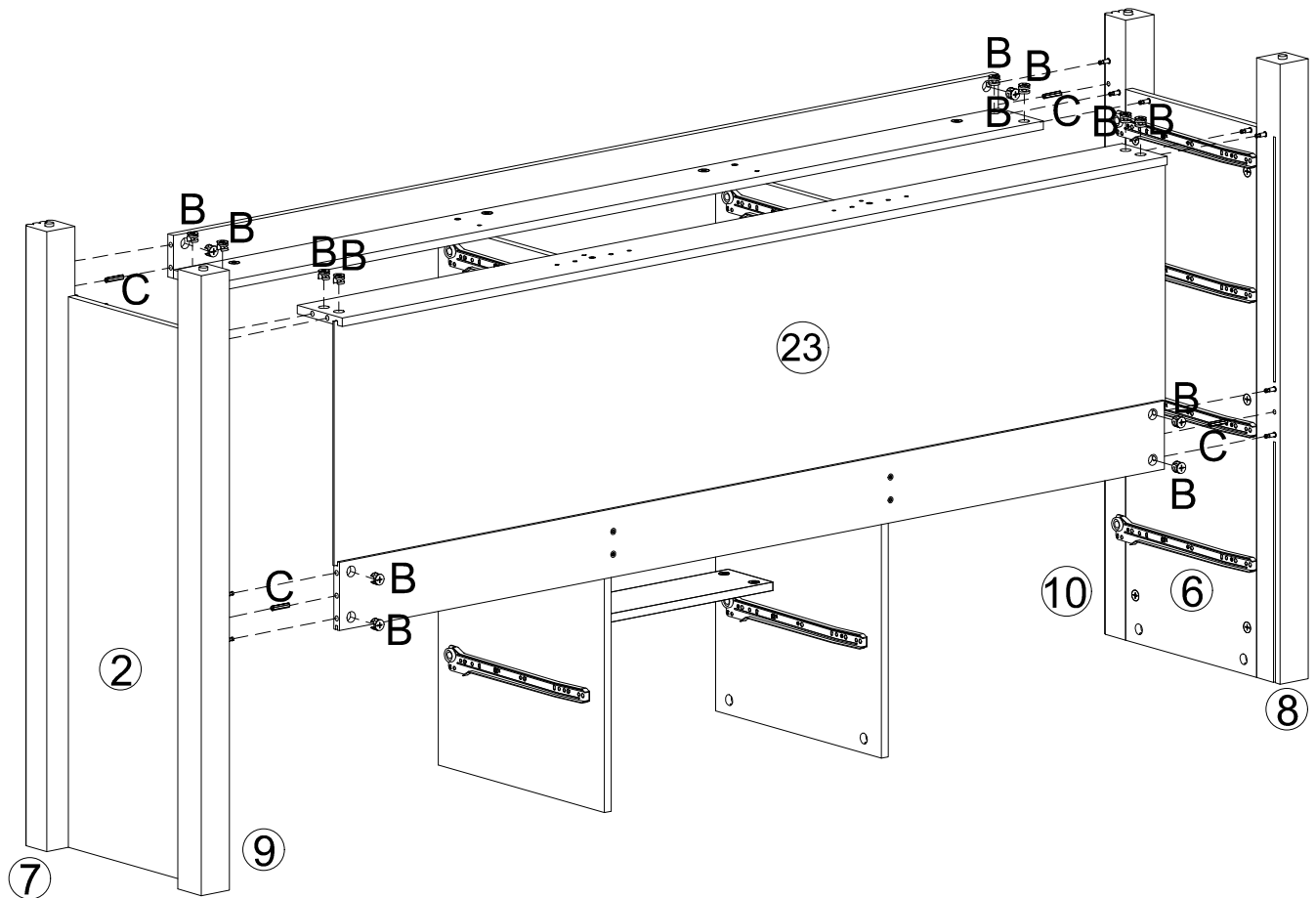
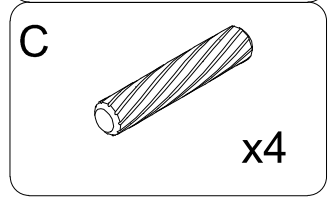
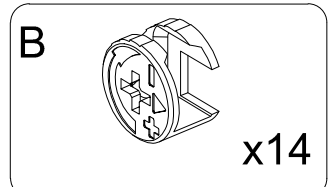
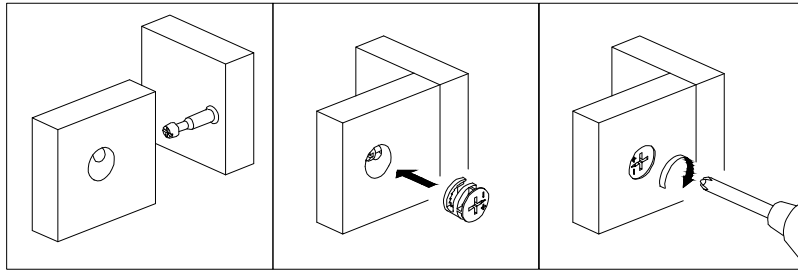
10



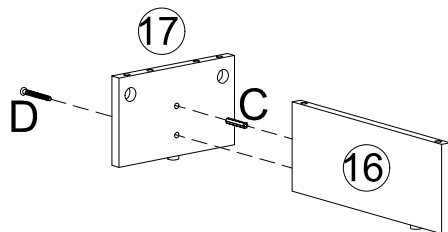
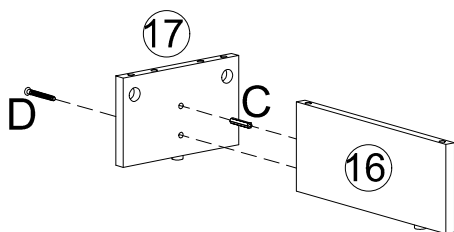
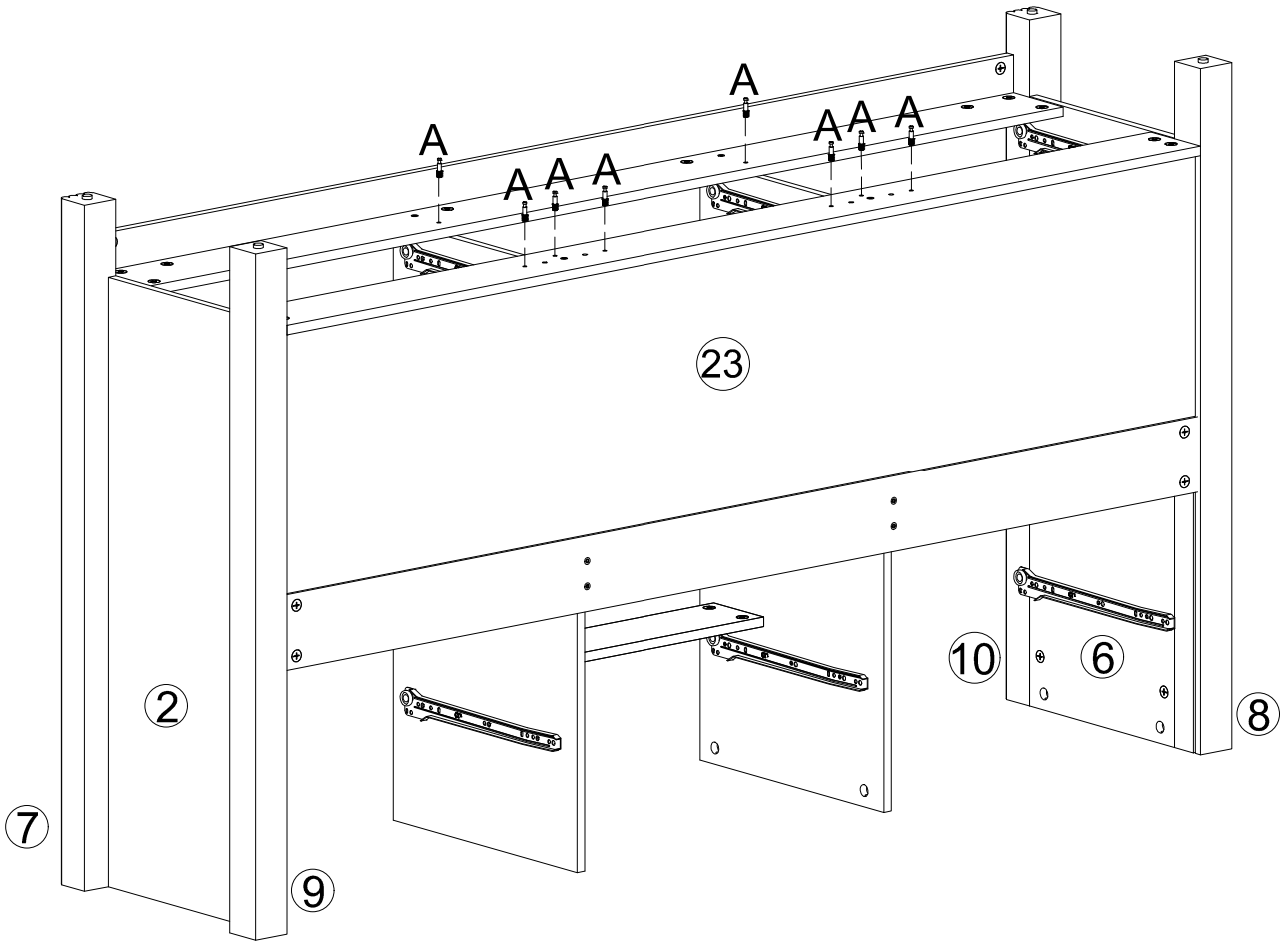
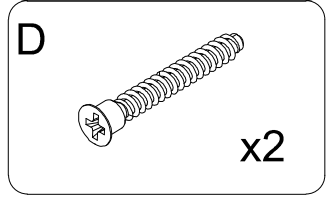
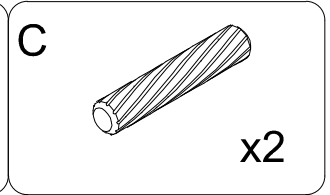
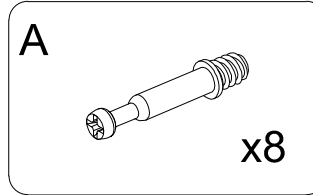
11



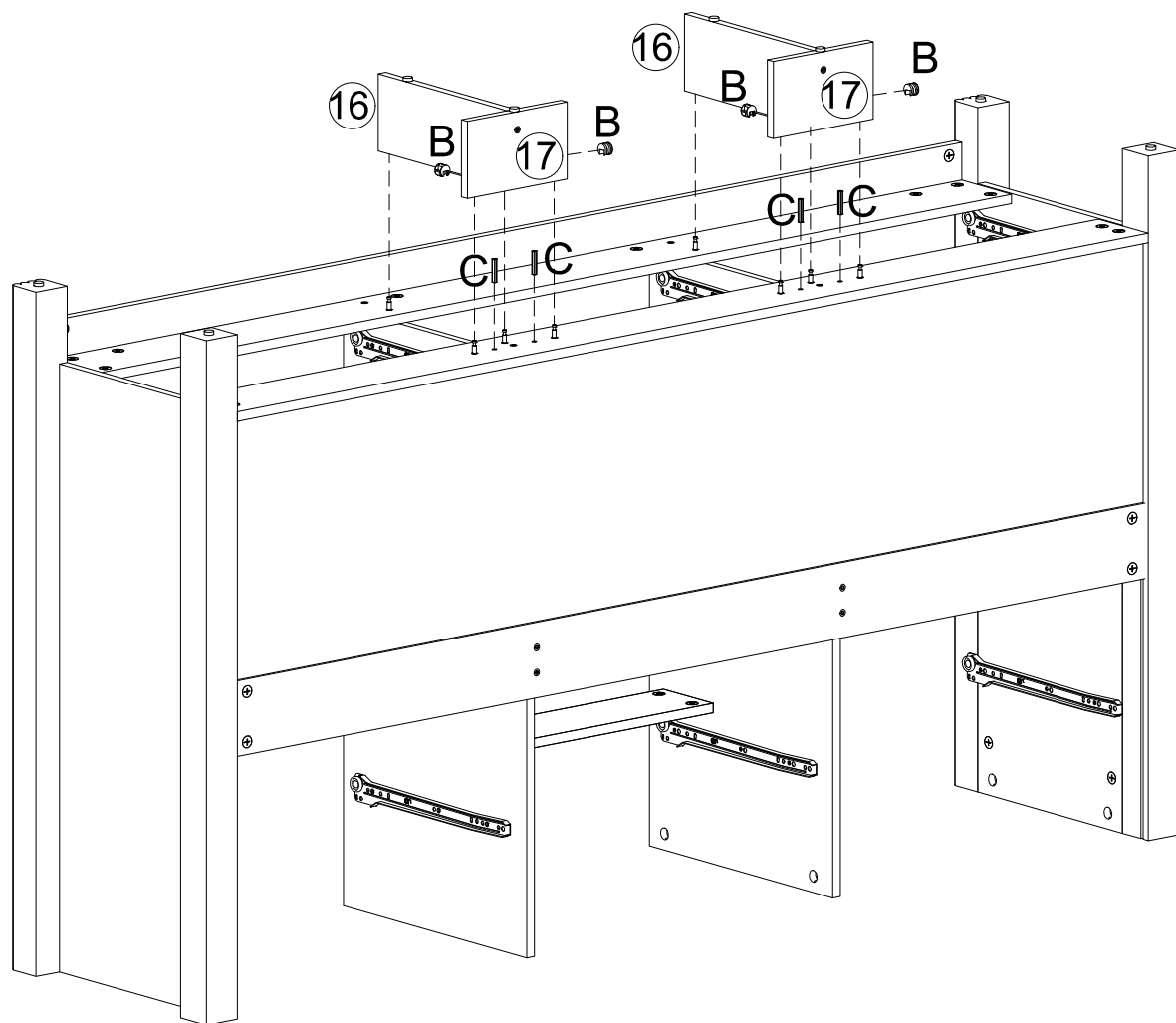
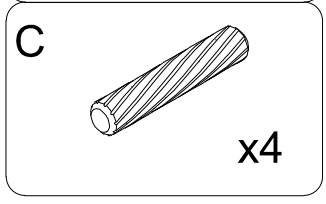
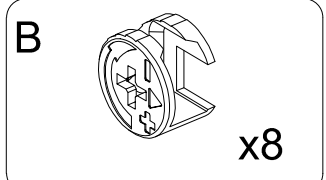
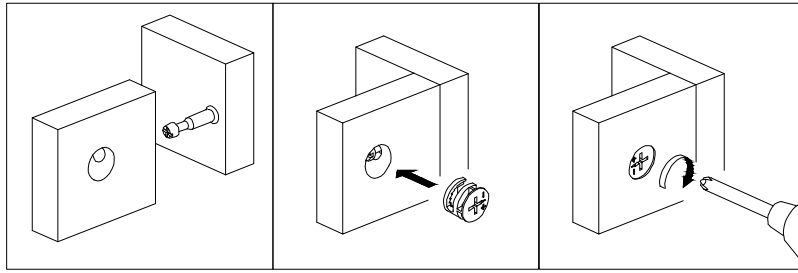
12



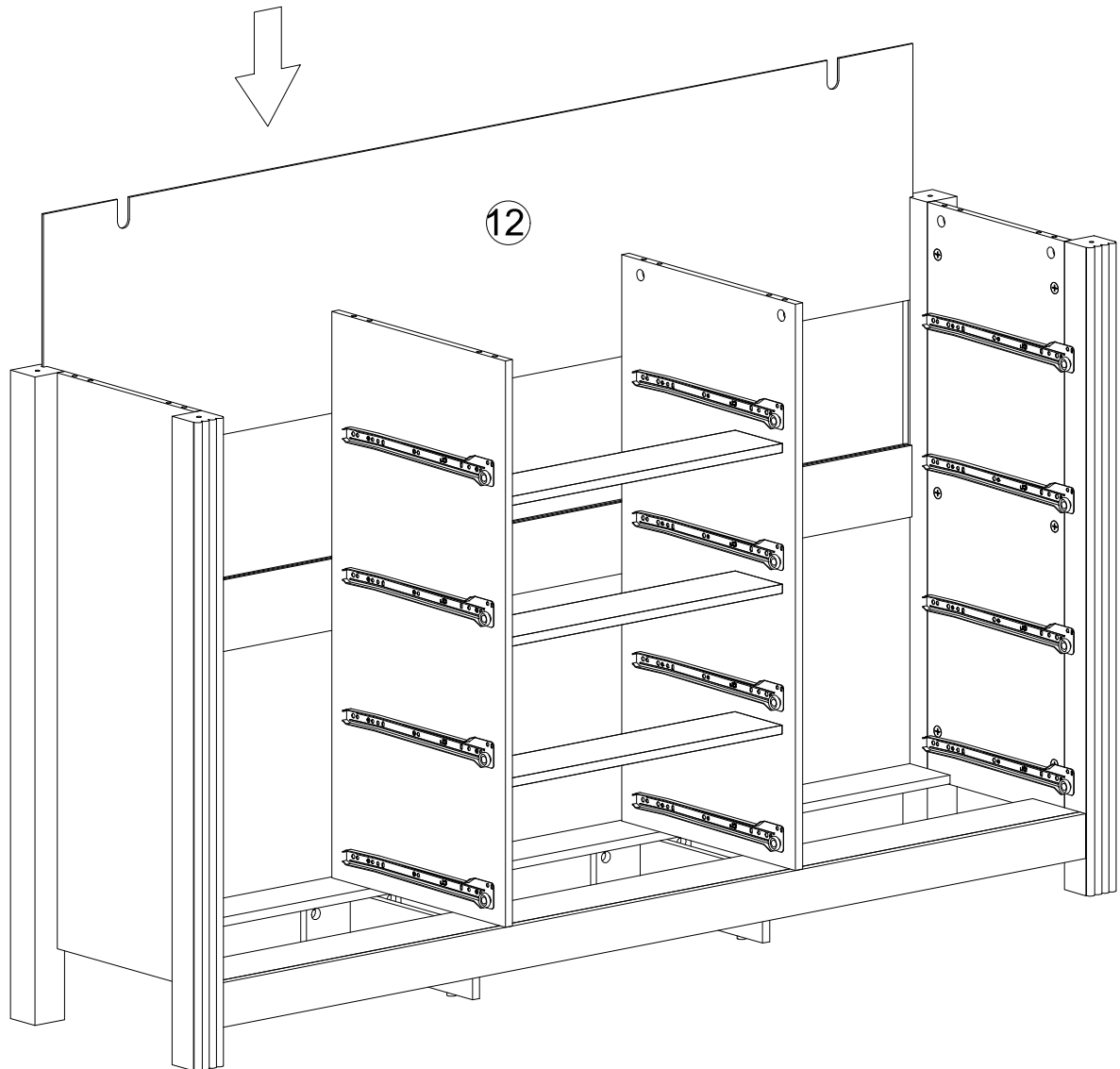
13



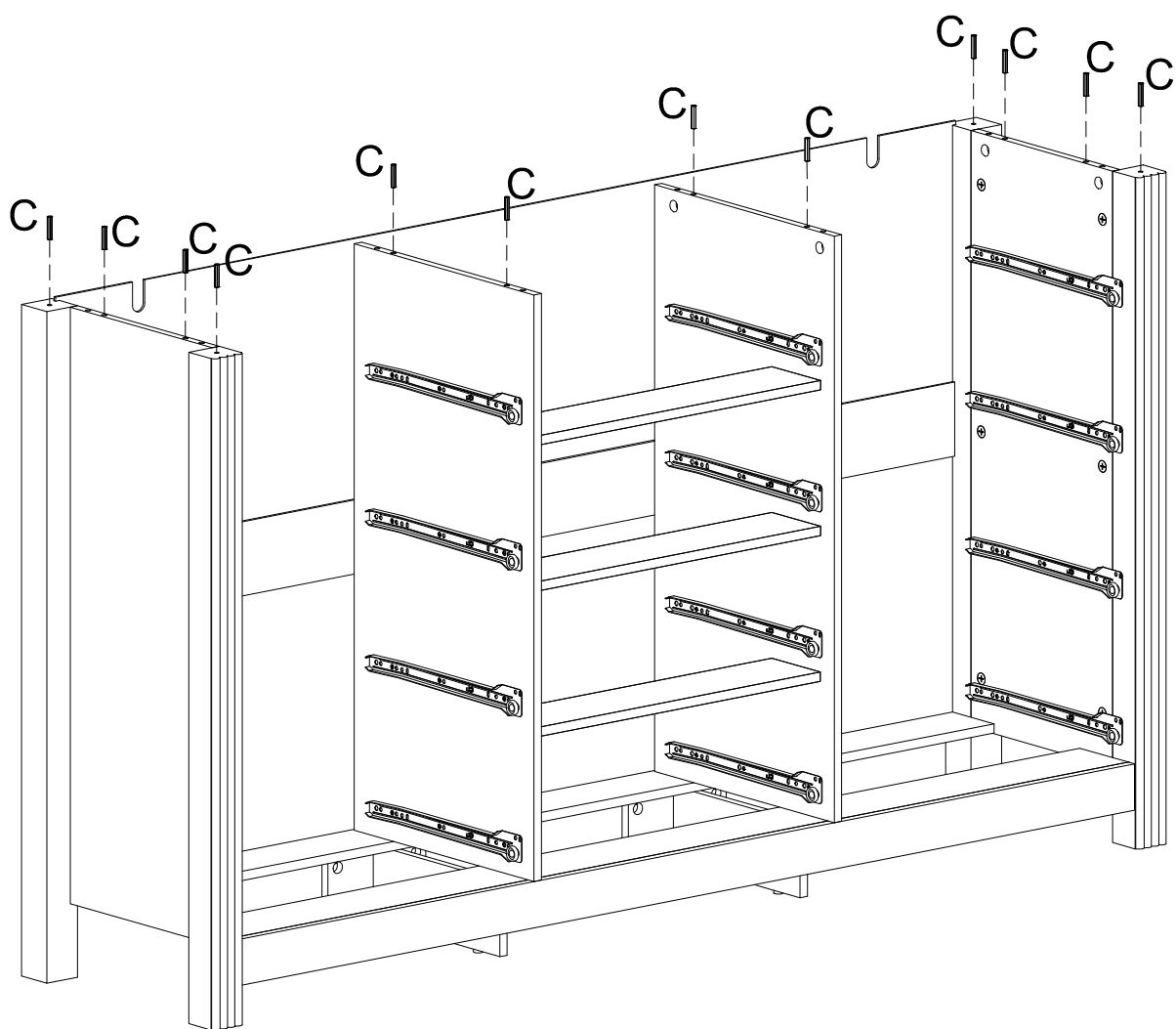
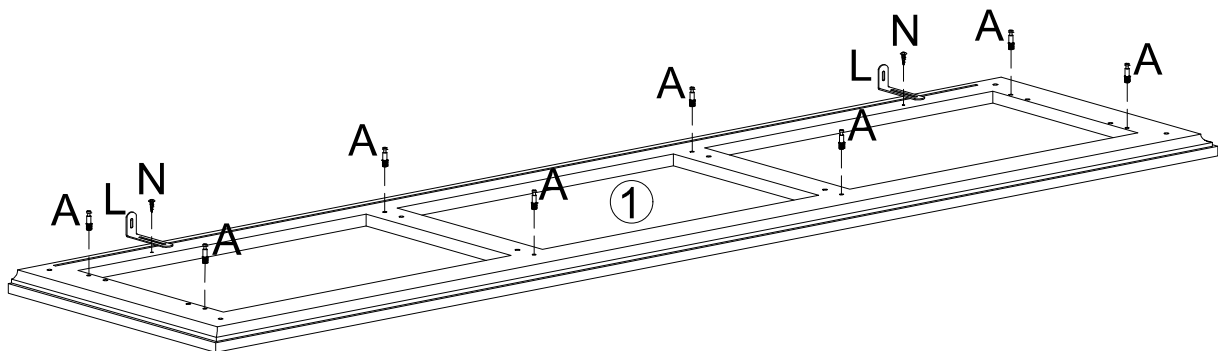
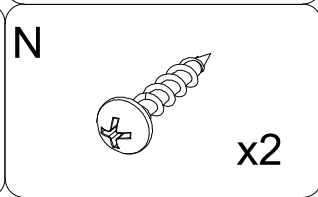
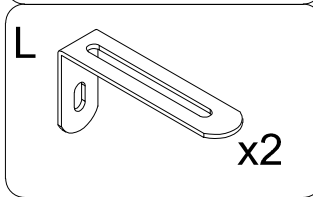
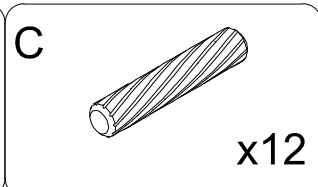
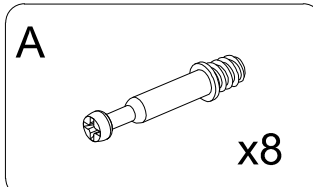
14



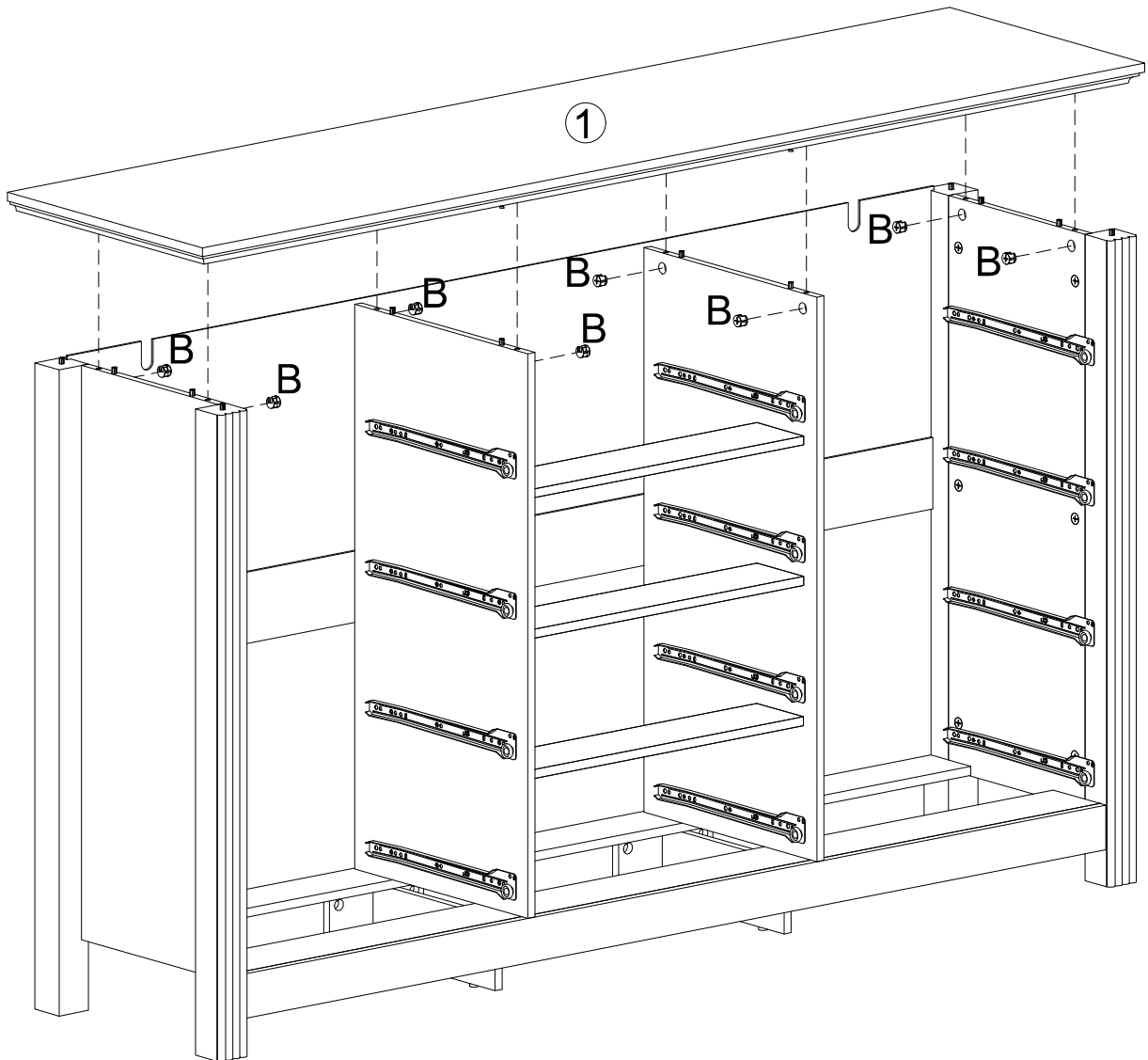
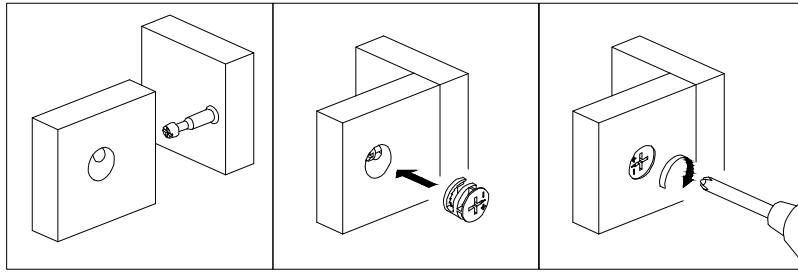
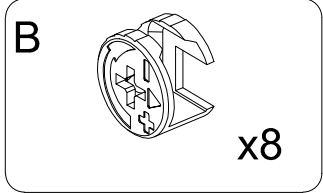
15



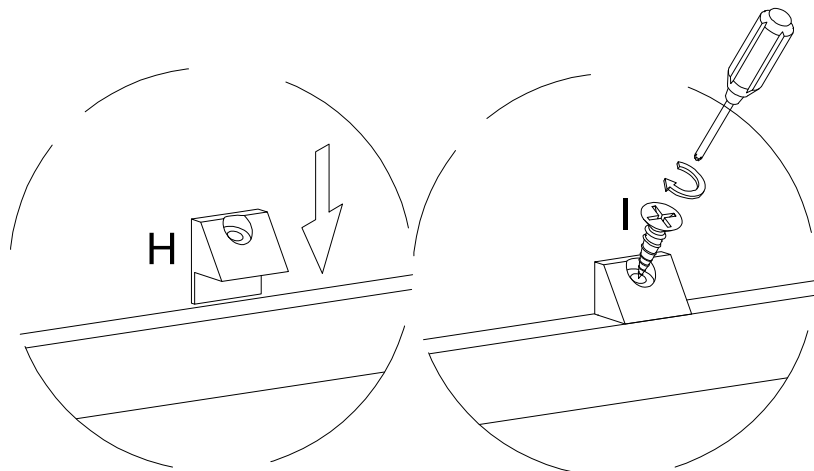
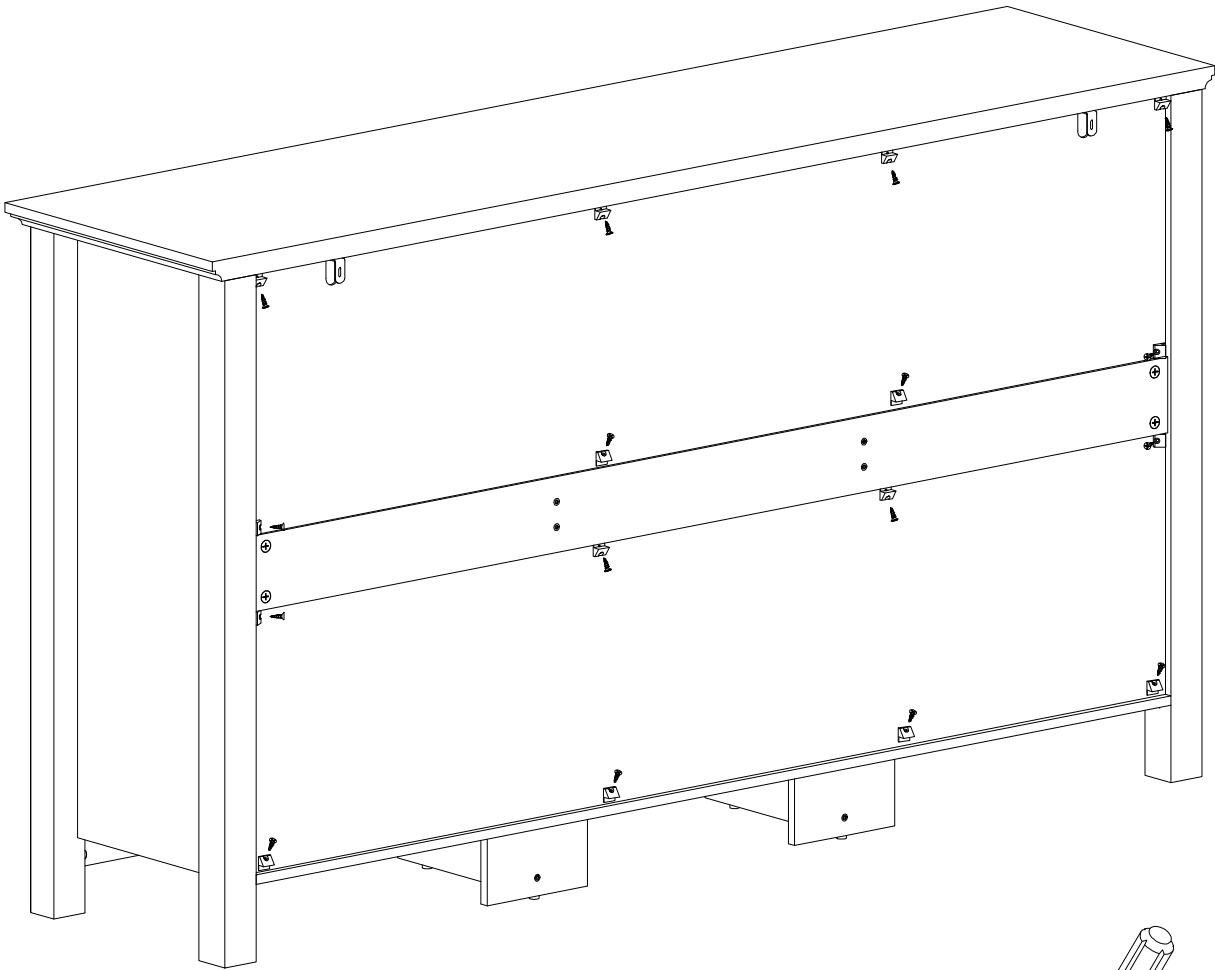
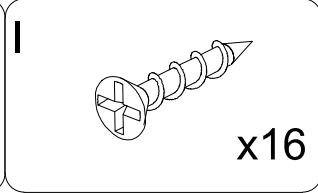
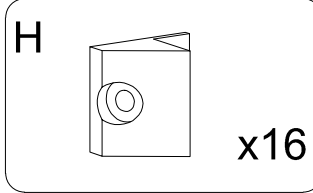
16



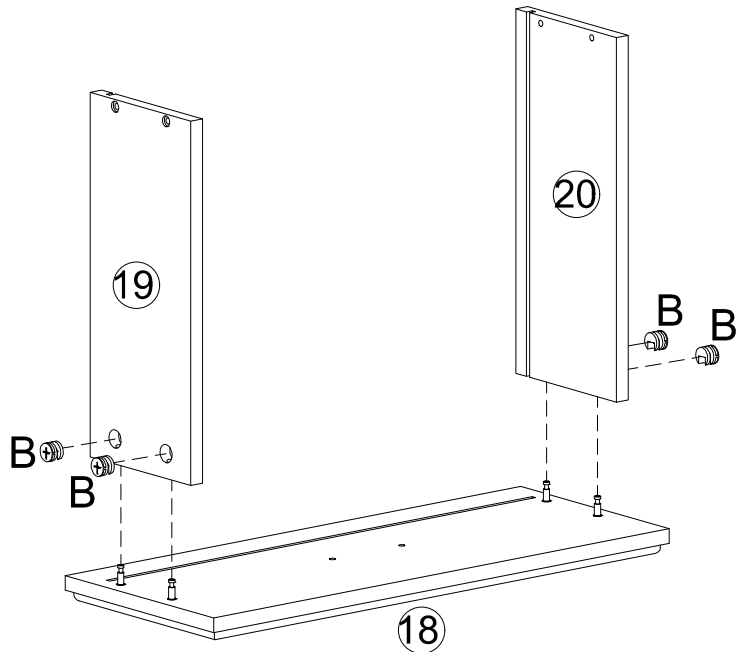
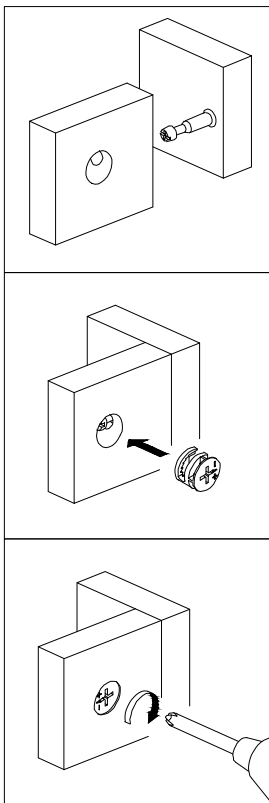
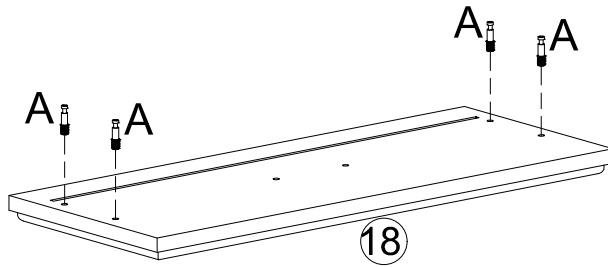
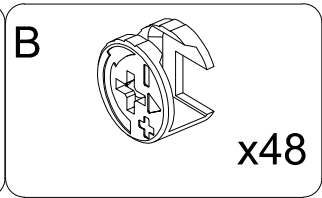
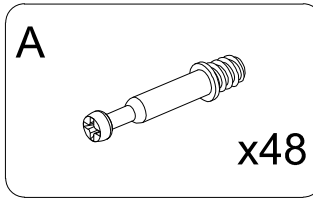
17



18

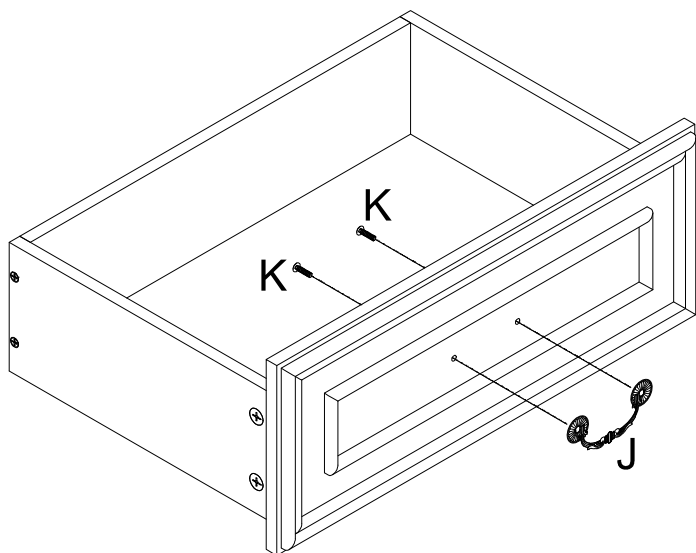
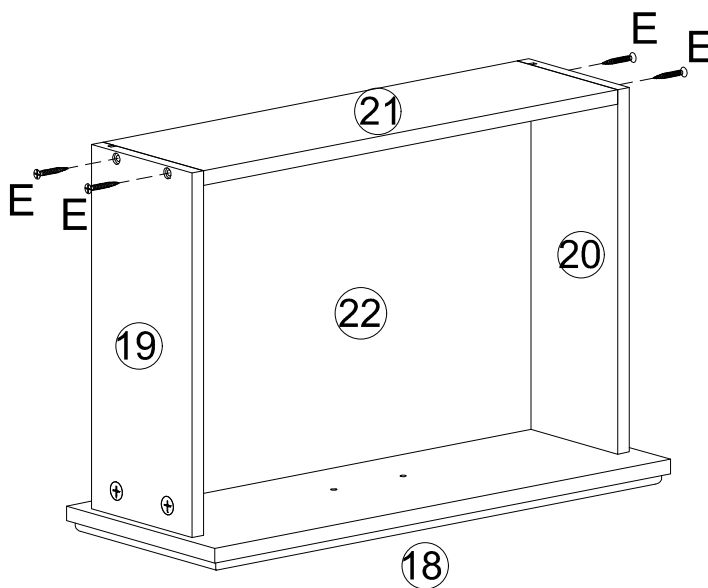
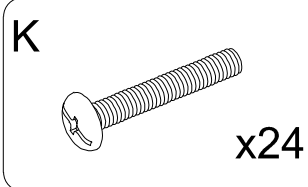
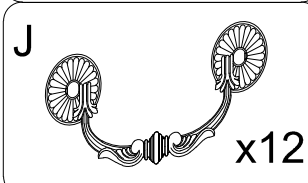
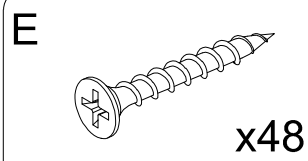
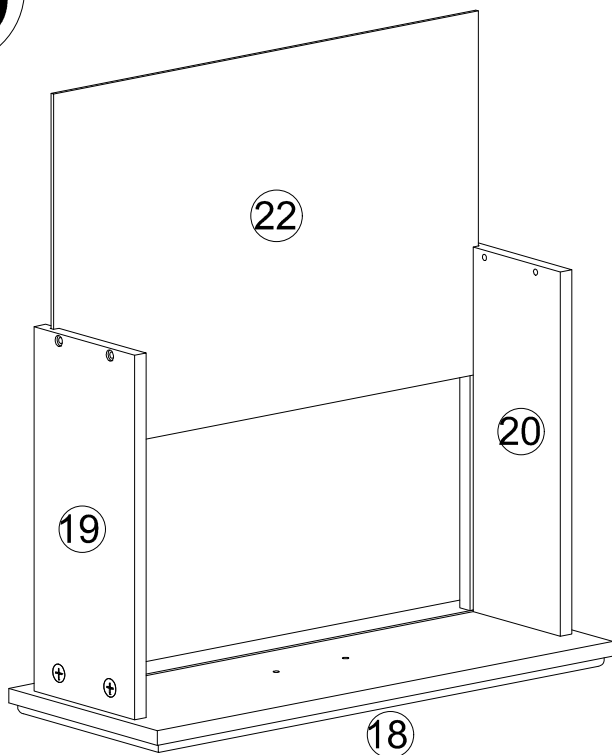


19



x12

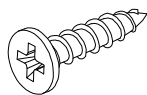
20



x12

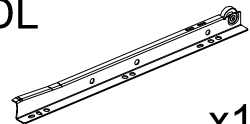
21

F



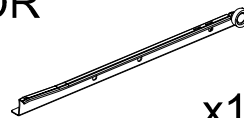
x72

DL

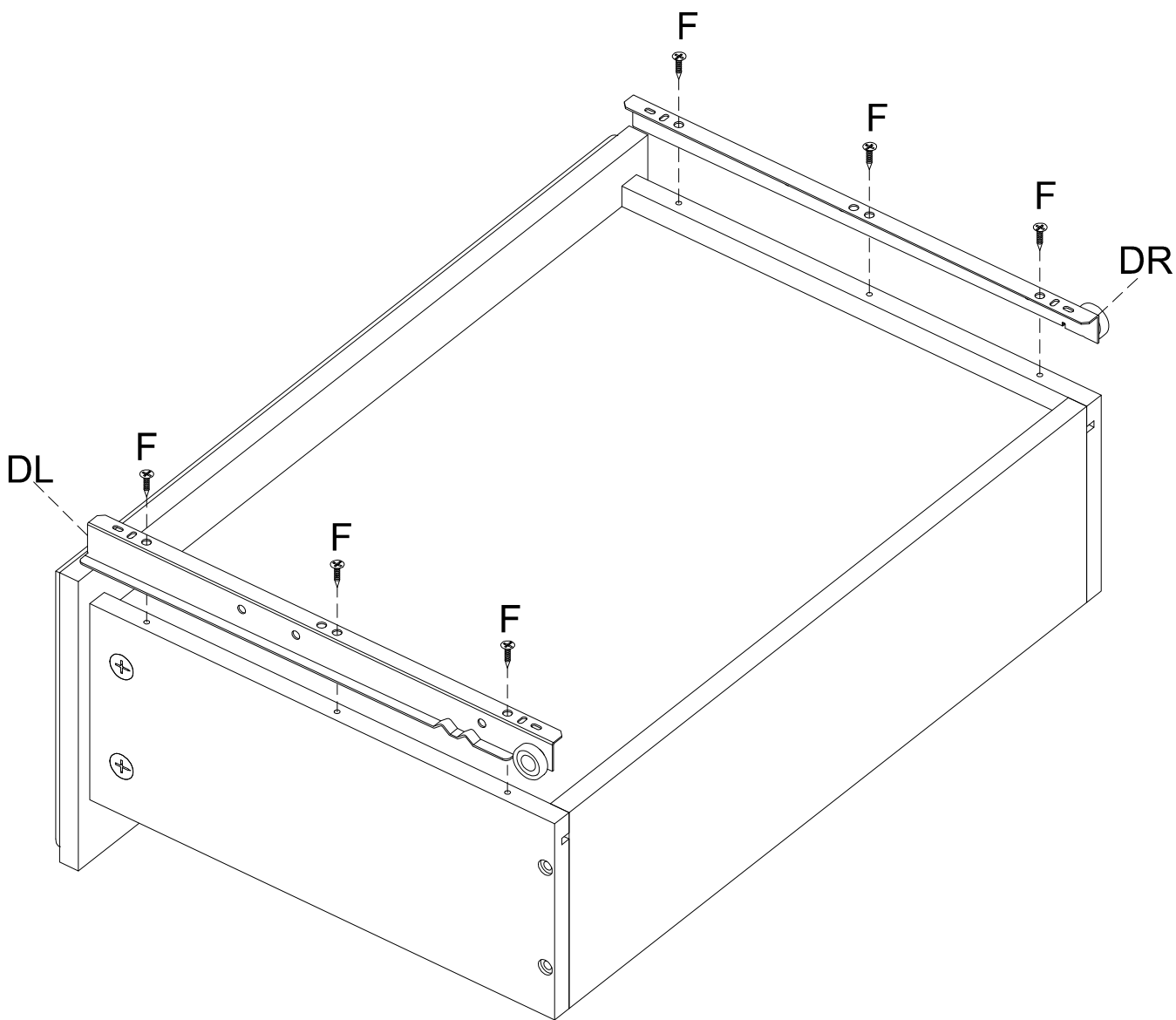


x12

DR

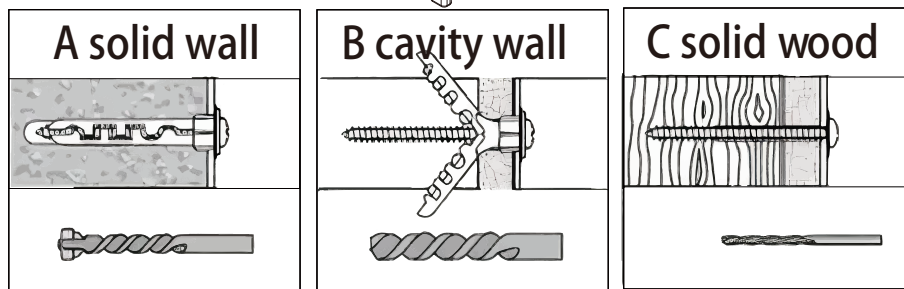
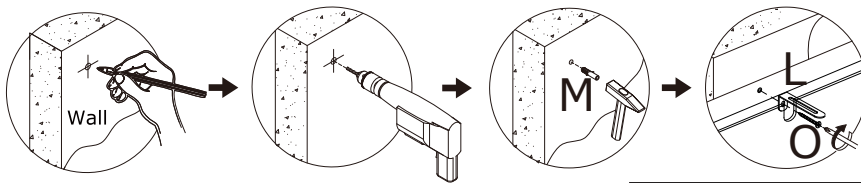


x12



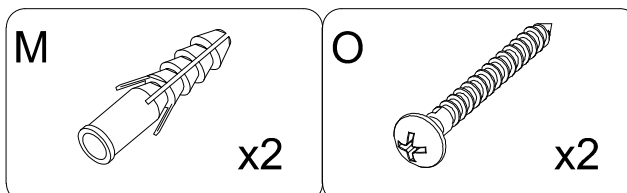
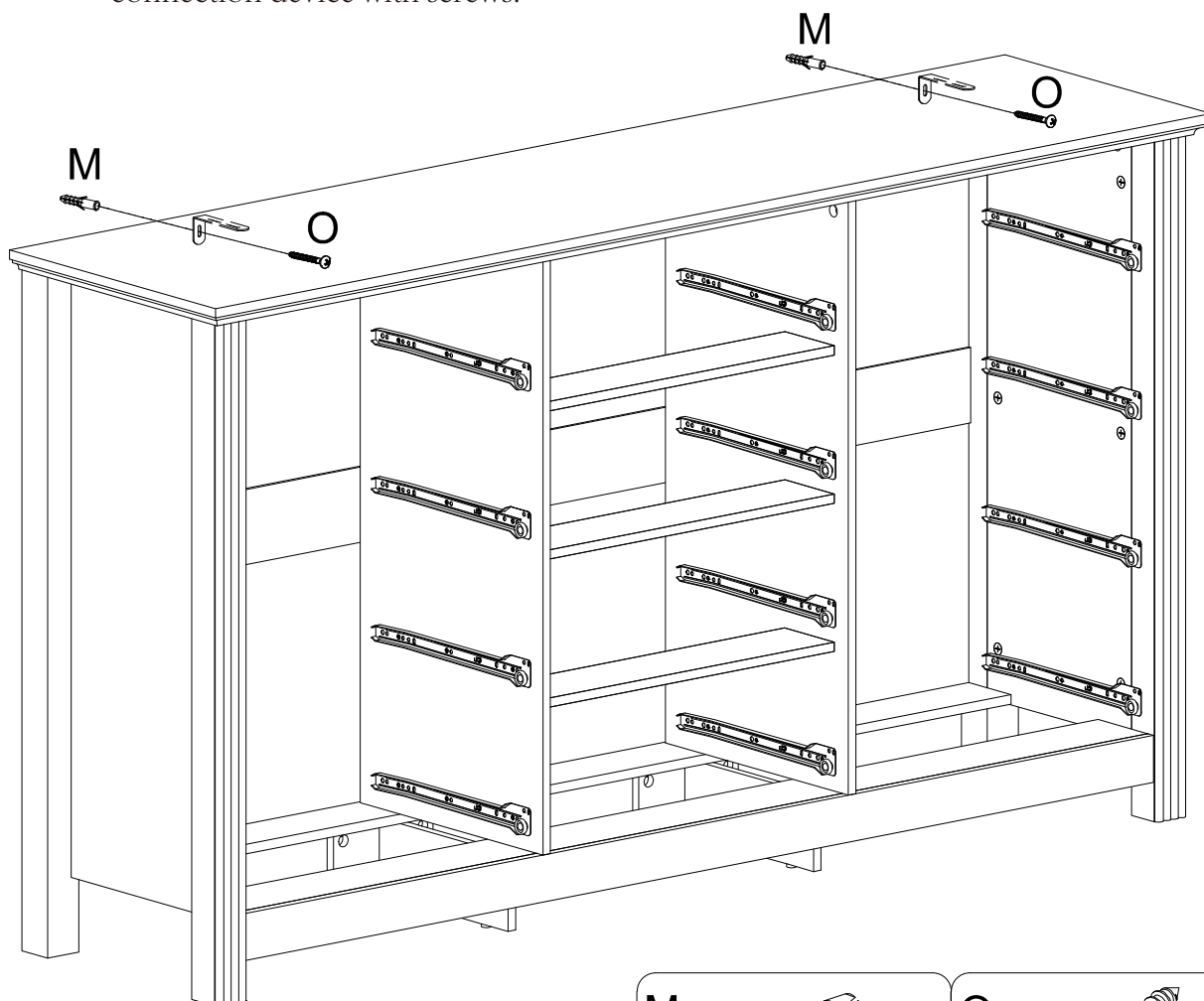
x12

22

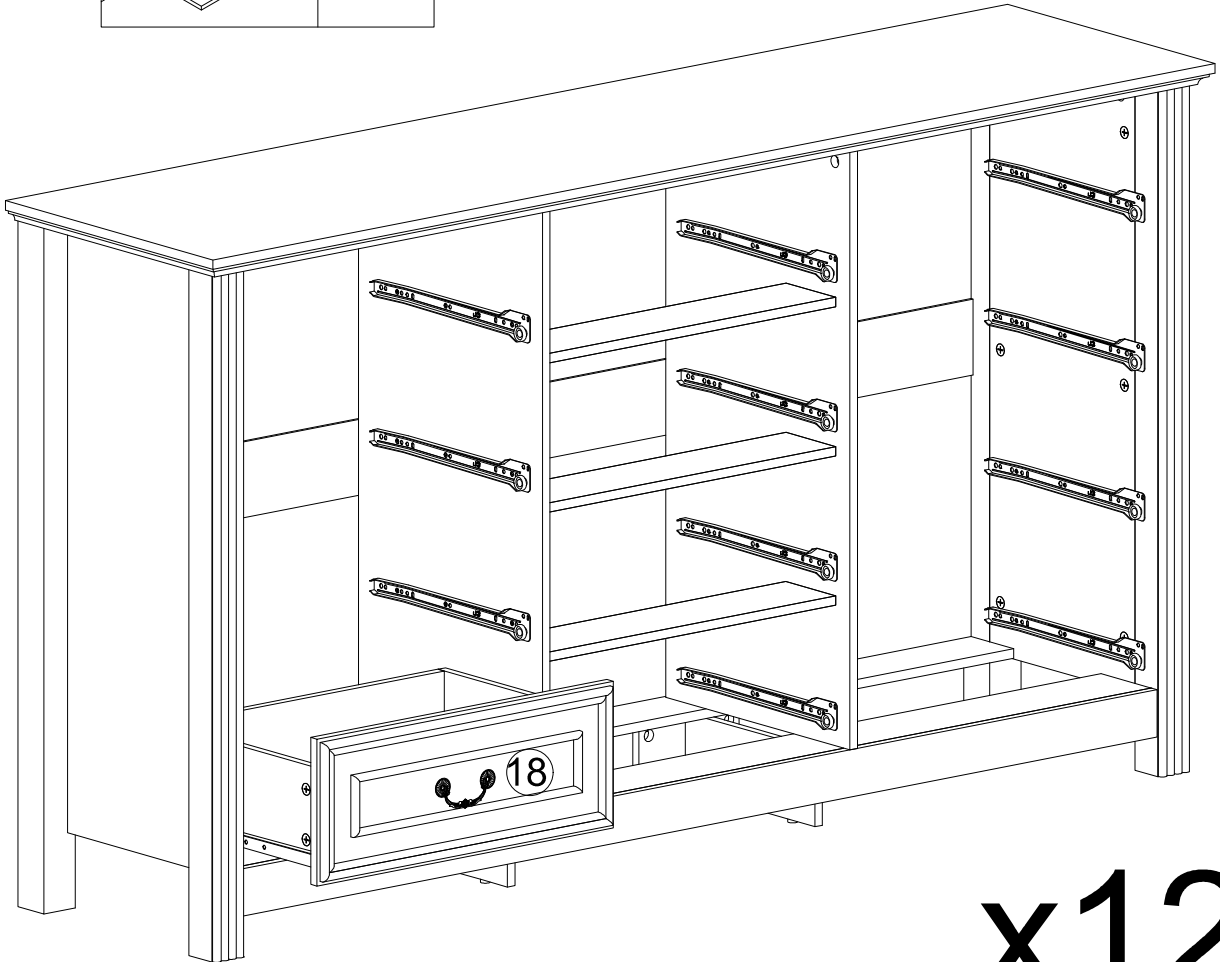
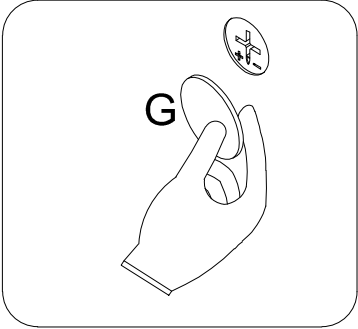
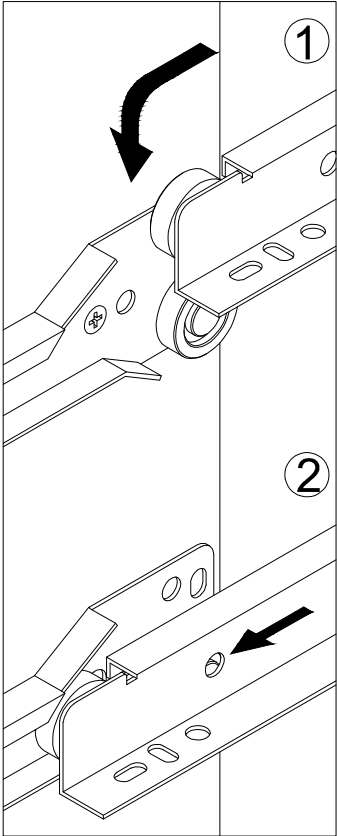
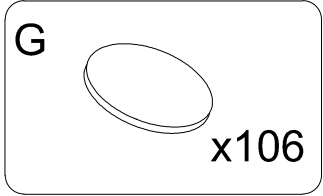


! Warning: If you overturn the furniture, it may cause serious or fatal crushing injuries. We have a wall connection device attached, please use it to hold the furniture following these instructions.

1. Mark the corresponding hole positions where you want to place the furniture;
2. Use a impact drill to drill holes and pay attention to avoid wires and water pipes;
3. Knock the expansion pipes into the wall holes;
4. Place the furniture in the corresponding position and tighten the wall connection device with screws.



23



24

